

GANPRCAM

Fixed License Plate Recognition Camera

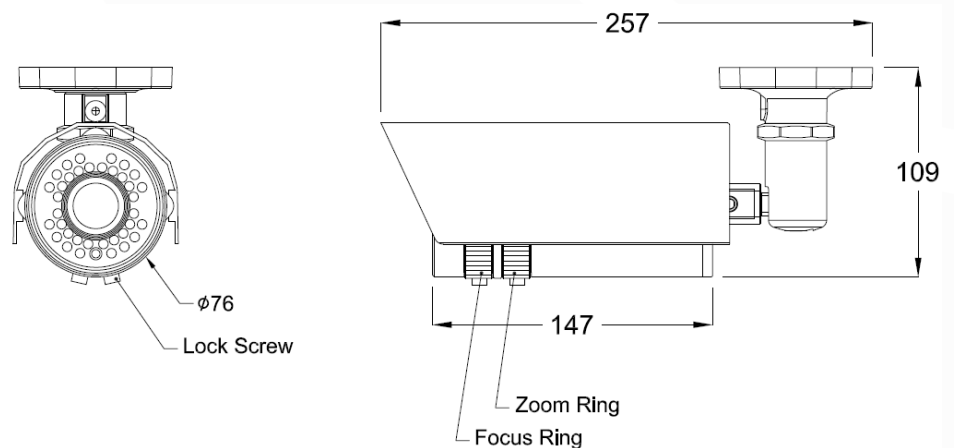


GANPRCAM

Key Features

- 1/3" CMOS Sensor
- 6 ~ 50mm Varifocal Lens
- 36 IR LEDs
- Capture Range - 3 ~ 18.2m
- External Zoom & Focus Adjustable
- D-WDR
- IP66
- Dual Voltage DC 12V / AC 24V

Dimensions



DATASHEET

www.geniecctv.com
 sales@geniecctv.com
 T: +44 (0) 1707 330 541
 F: +44 (0) 1707 330 543

Genie CCTV Ltd.
 CCTV House, City Park,
 Watchmead,
 Welwyn Garden City,
 Hertfordshire,
 AL7 1LT,
 United Kingdom

Technical Specification

Model Number	GANPRCAM
Image Sensor	1/3" CMOS Image Sensor
Effective Pixels	752 x 582
Resolution	600 TVL
Minimum Illumination	0 Lux
Lens	6mm ~ 50mm
Capture Range	3 ~ 18.2m
IR LEDs	36 Pcs
Electronic Shutter	1/50~1/100,000
Video Output	CVBS 1.0V p-p 75Ω
Mouting	3 Axis Concealed Bracket
Cable Type	BNC, DC-JACK
IP Rating	IP66
Operational Temperature	-10°C ~ +50°C
Power Consumption	6W (Max)
Power Supply	DC 12V / AC 24V
Dimensions (ø x L x H)	76 x 257 x 109
Weight	930g

Features and specifications are subject to change for further improvement without any notice