



INNOVATIVE SECURITY TECHNOLOGY

2016 PRODUCT CATALOGUE



I n d e x

Page	Content
Page 1-10	603 DECT wireless intercom
Page 11-18	GSM Intercom (CellCOM+ range)
Page 19-22	Multi Button GSM Intercoms (CellCOM+)
Page 23-26	Building intercom system (multi apartment)
Page 27-29	Video wireless intercom (GSM)
Page 30-33	Video wireless intercom (Wi-Fi)
Page 34-38	Video wireless intercom (DECT & 2.4GHz)
Page 39-40	2 piece audio GSM intercom kits
Page 41	Stand alone Keypad
Page 42	GSM Gate Switch i-GATE20
Page 43	GSM Gate Switch & Alarm Dialler i-GATE100
Page 44-51	Hard Wired Intercom 302 System
Page 52-56	Hard Wired VideCom System



DECT 603

DECT Wireless Intercom

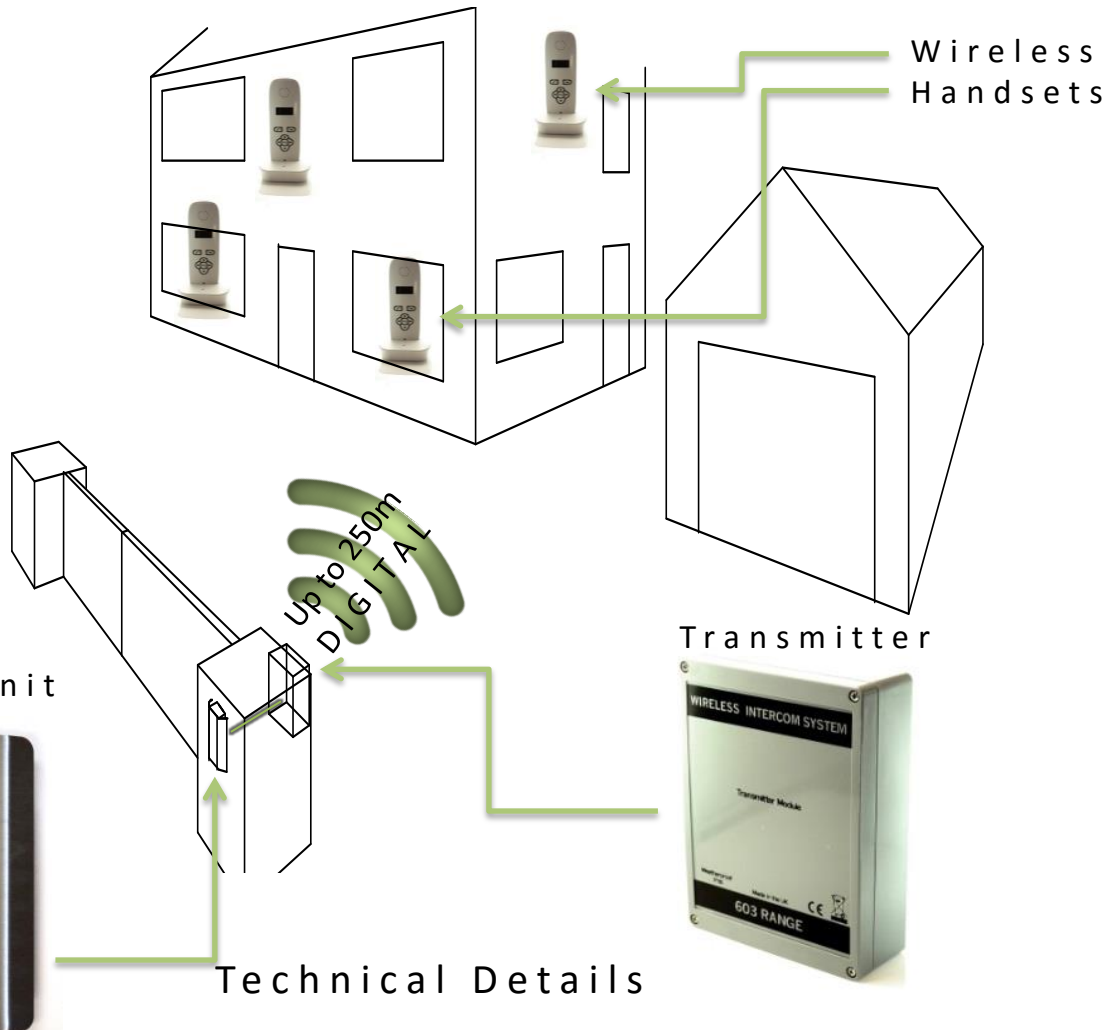


- Digital D.E.C.T wireless intercom system.
- Working range of 200 metres (up to 400 metres open field conditions).
- Up to 4 handsets per system.
- *NEW* - Now available with 2 relay outputs!
- Simple setup and install.
- Keypad option for coded access.
- Marine grade stainless steel constructed panels with toughened gloss acrylic trim.
- Built in voicemail feature for missed callers, user can listen to messages on handset.
- Make internal calls between handsets.
- 2 year manufacturers warranty.

NEW
2 relays

DECT 603

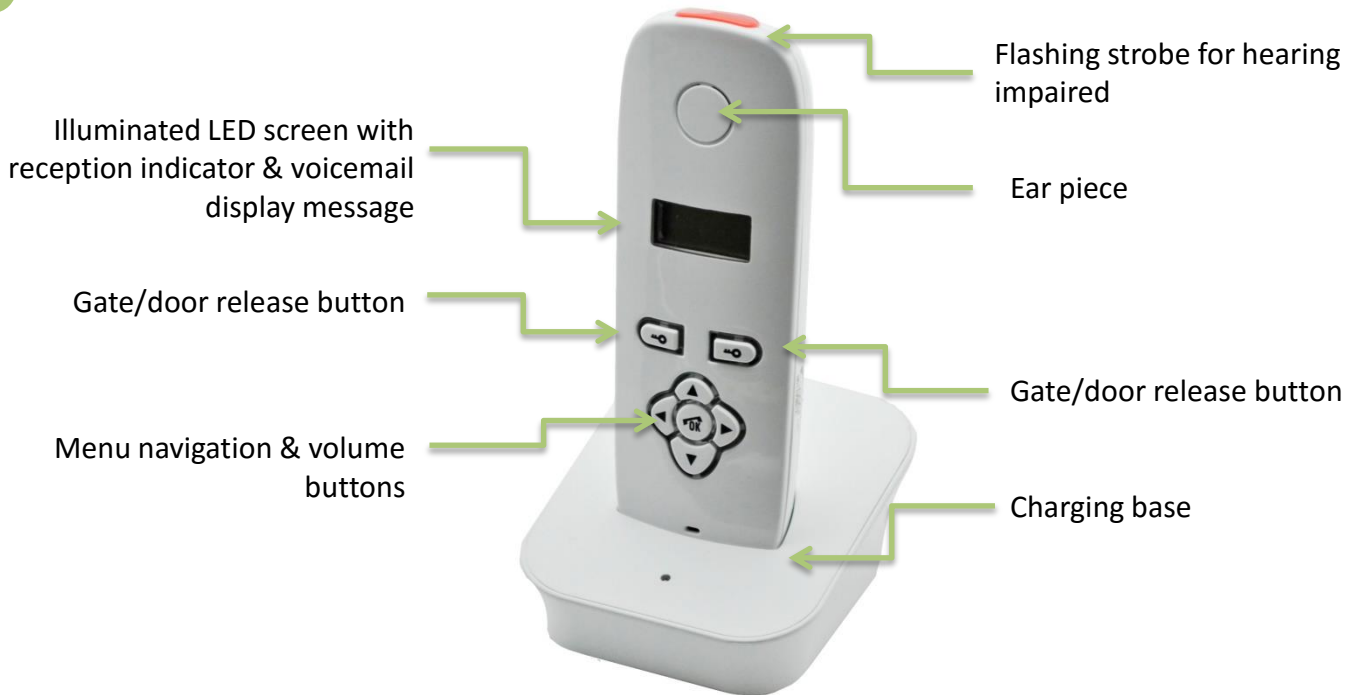
DECT Wireless Intercom



Power Supply	12v dc (adaptor included)	Cable between speech unit & transmitter	Screened CAT5
Current Consumption	50mA standby, 250mA calling	Max cable length	8 metres (recommend short as possible)
Relay Outputs	2	Cable cores	2 x SPK, 2 x MIC, 2 x power, 2 x button
Relay type	N/O & N/C contacts	Speech unit IP rating	IP55
Relay time	Adjustable 1-9 seconds	Transmitter IP rating	IP65
Relay load	2A 24v AC max	Manufacturer Warranty	2 year return to base warranty
Technology type	1.88GHz DECT Digital Technology	Keypad programming	On the keypad
Handsets per system	4	Keypad codes	1200 total
		Wiegand output	Yes, 26 or 34 bit

DECT 603

DECT Wireless Intercom



- Easy to use handset, simple answer and end call button.
- Door release button can also be used when a call is not active (press and hold to release door or gate).

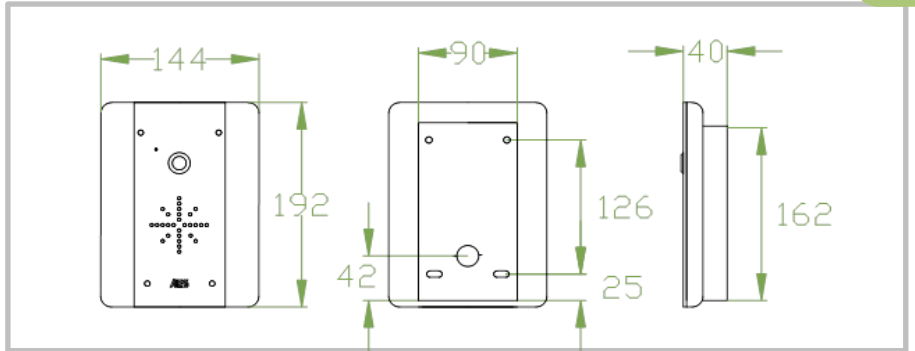
Technical Details

Power Supply	5v dc (adaptor included)
Technology type	1.88GHz DECT Digital Technology
Handsets per system	4
Handset Battery	AAA Ni-mH rechargeable
Handset battery life	24 hours between charging

DECT 603

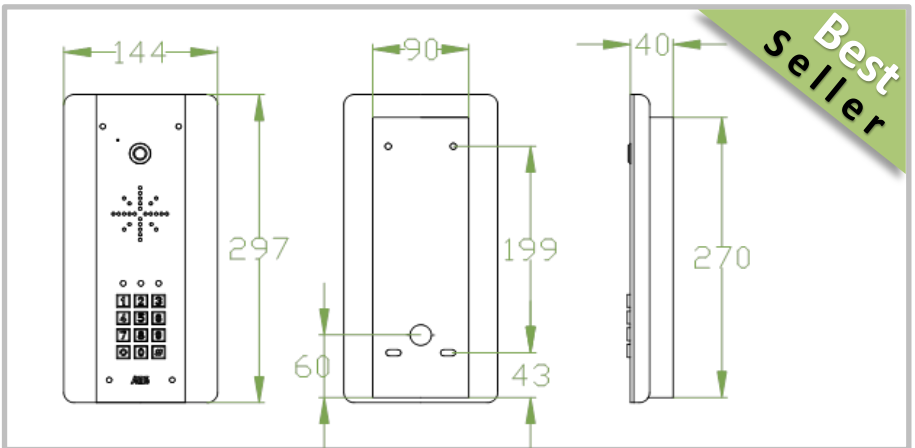
Kits & Part numbers

603



603-AB (Architectural Model)

- Stylish curved architectural model
- Modern blue back lighting effect.
- BS316 marine grade, brushed stainless steel construction with gloss acrylic trim.
- Kit includes speech panel, transmitter module, power supply, 3 metres screened CAT5 cable, handset, charging base and charger.

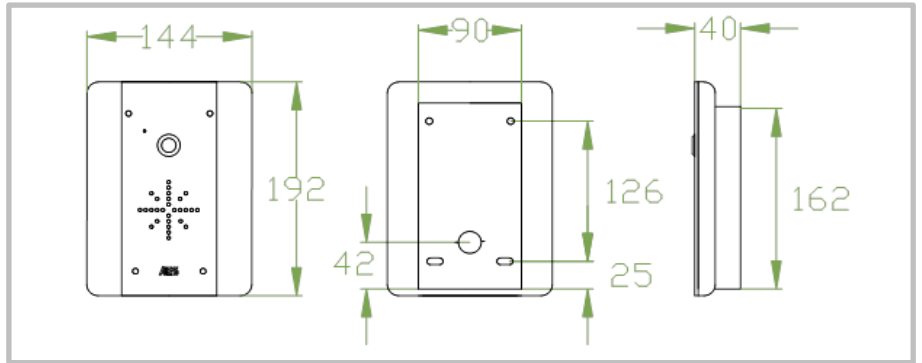


603-ABK (Architectural Keypad Model)

- Stylish curved architectural model
- Built in, illuminated code-lock keypad for access control.
- Keypad includes 3 relays, with latching and momentary operation and many more features.
- Modern blue back lighting effect.
- BS316 marine grade, brushed stainless steel construction with gloss acrylic trim.
- Kit includes speech panel, transmitter module, power supply, 3 metres screened CAT5 cable, handset, charging base, charger, and install manual.

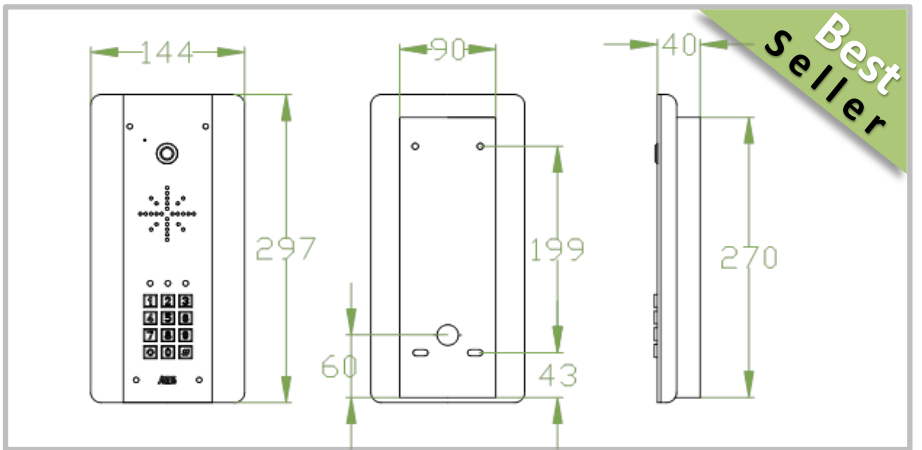
DECT 603

Kits & Part numbers



603-AS (Architectural Model)

- Stylish curved architectural model
- Contemporary cool-white back lighting.
- 100% BS316 marine grade stainless steel construction.
- Kit includes speech panel, transmitter module, power supply, 3 metres screened CAT5 cable, handset, charging base and charger.

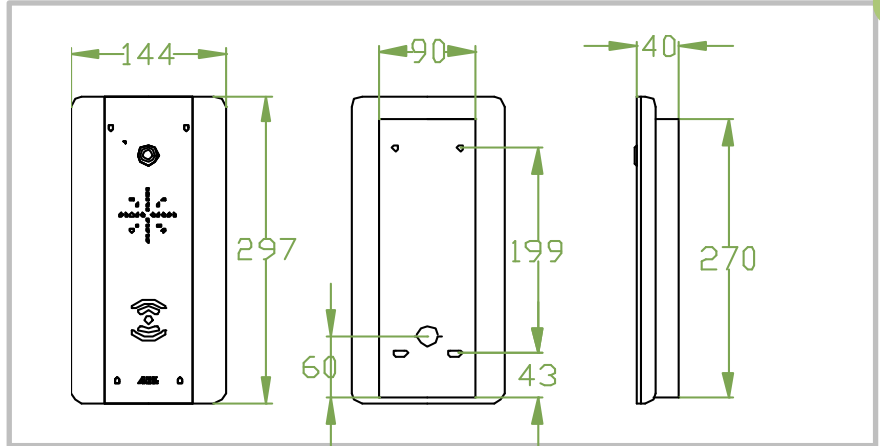


603-ASK (Architectural Keypad Model)

- Stylish curved architectural model
- Built in, illuminated code-lock keypad for access control.
- Keypad includes 3 relays, with latching and momentary operation and many more features.
- Contemporary cool-white back lighting.
- 100% BS316 marine grade stainless steel construction.
- Kit includes speech panel, transmitter module, power supply, 3 metres screened CAT5 cable, handset, charging base, charger, and install manual.

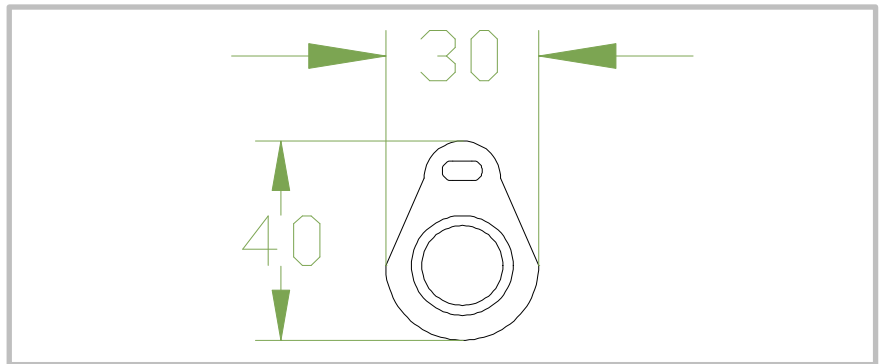
DECT 603

Kits & Part numbers



603-ABP (Architectural Prox Model)

- Stylish curved architectural model.
- Built in stand alone proximity reader.
- 125KHz frequency. Compatible with 4001 / 4100, EM / TEMIC / TK tags.
- Modern blue back lighting effect.
- BS316 marine grade, brushed stainless steel construction with gloss acrylic trim.
- Kit includes 3 user tags, speech panel, transmitter module, power supply, 3 metres screened CAT5 cable, handset, charging base, charger, and install manual.

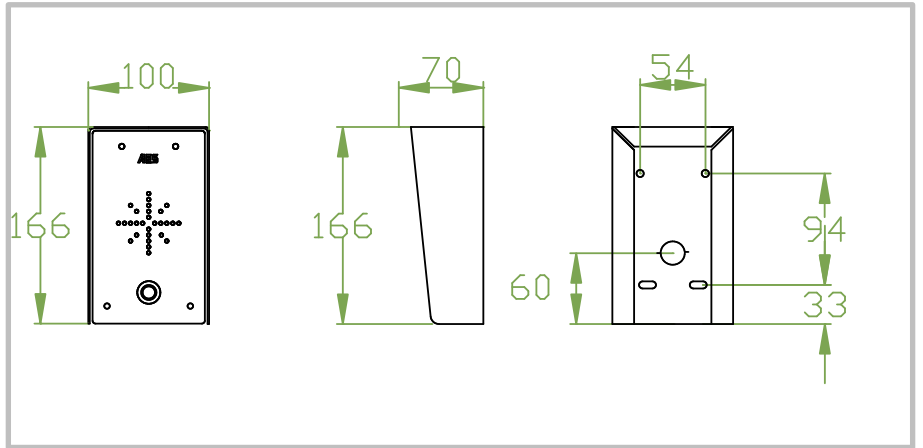


PROX1

- additional Proximity Tags.

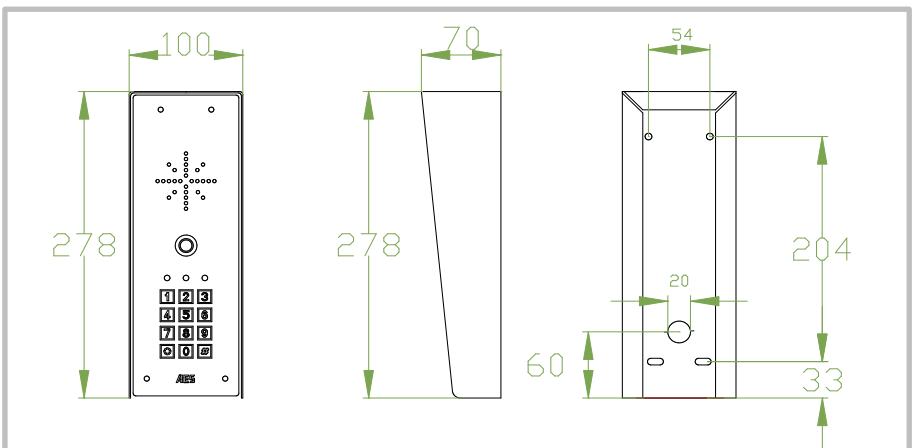
DECT 603

Kits & Part numbers



603-HB (Hooded Model)

- Hooded model, for a more traditional yet smart look.
- BS316 marine grade stainless steel construction with gloss black face trim.
- Built for tough environments.
- Illuminated push button.
- Kit includes speech panel, transmitter module, power supply, 3 metres screened CAT5 cable, handset, charging base, charger and install manual.

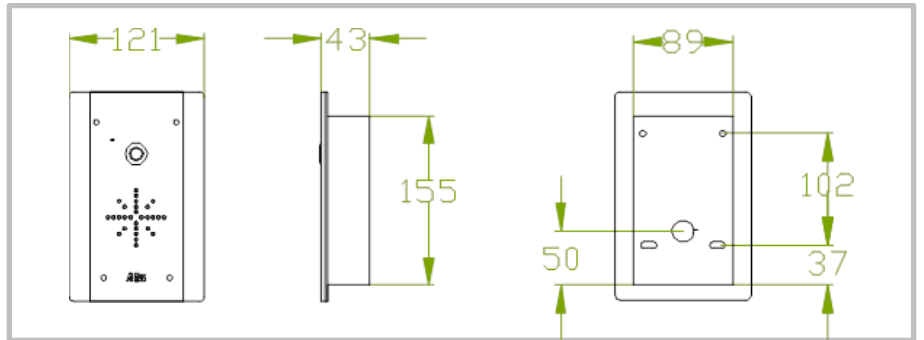


603-HBK (Hooded Model With Keypad)

- Hooded with keypad for a more traditional yet smart look.
- Built in, illuminated code-lock keypad for access control.
- Keypad includes 3 relays, 1200 codes, with latching & momentary operation + more.
- BS316 marine grade, brushed stainless steel construction with gloss acrylic trim.
- Kit includes speech panel, transmitter module, power supply, 3 metres screened CAT5 cable, handset, charging base, charger, and install manual.

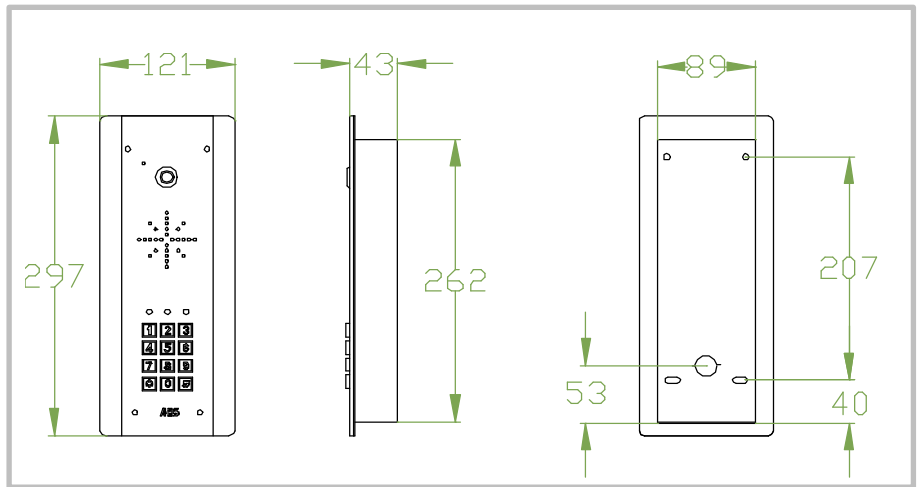
DECT 603

Kits & Part numbers



603-FB (Flush Model)

- Flush mounting model, for a sleek recessed look.
- BS316 marine grade stainless steel construction with gloss black face trim.
- Built for tough environments.
- Illuminated push button.
- Kit includes speech panel, transmitter module, power supply, 3 metres screened CAT5 cable, handset, charging base, charger and install manual.

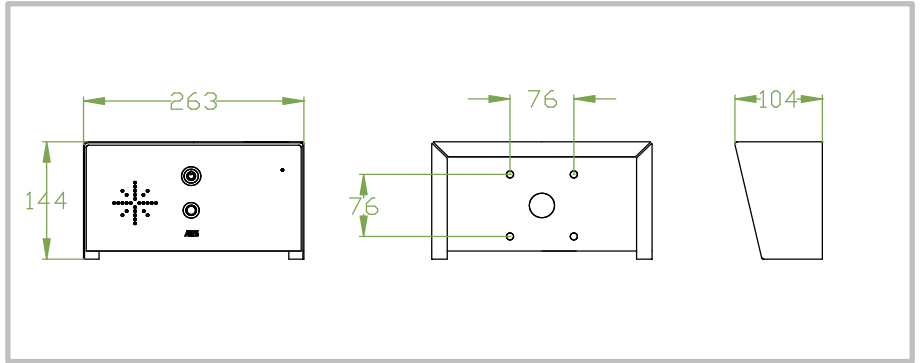


603-FBK (Flush Model with Keypad)

- Flush mounting model, for a sleek recessed look.
- Keypad includes 3 relays, 1200 codes, with latching & momentary operation + more.
- BS316 marine grade stainless steel construction with gloss black face trim.
- Built for tough environments.
- Illuminated push button.
- Kit includes speech panel, transmitter module, power supply, 3 metres screened CAT5 cable, handset, charging base, charger and install manual.

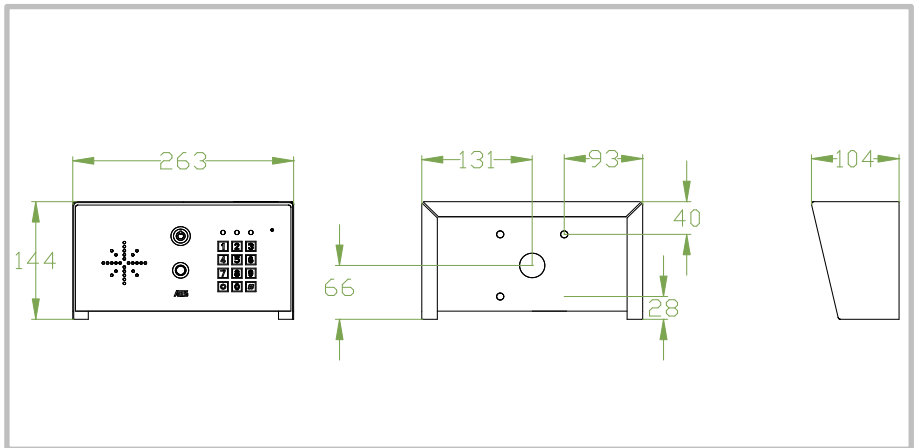
DECT 603

Kits & Part numbers



603-iBK (Industrial Model)

- Industrial model for high volume applications on pedestals, vehicle entrances etc.
- Super loud 4 watt speaker, and sensitive microphone.
- Brushed stainless steel construction with gloss acrylic trim.
- Illuminated push button.
- Kit includes speech panel, transmitter module, power supply, 3 metres screened CAT5 cable, handset, charging base, charger and install manual.



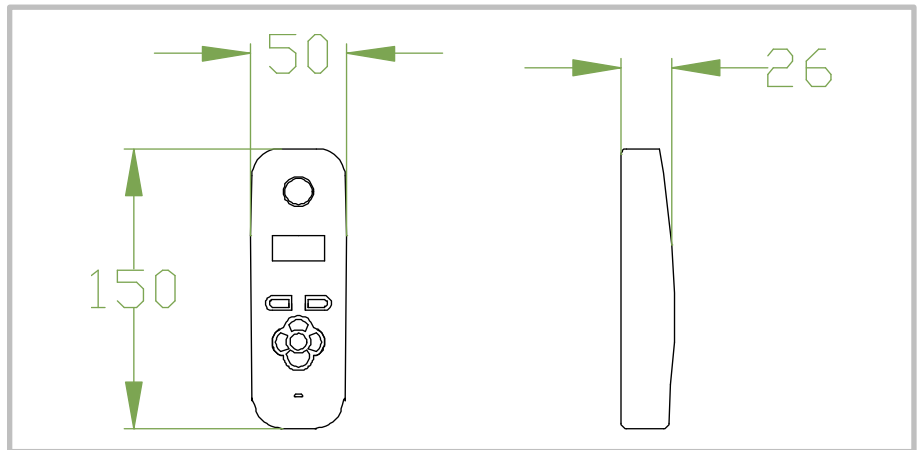
603-iBK (Industrial Model With Keypad)

- Industrial model for high volume applications on pedestals, vehicle entrances etc.
- Super loud 4 watt speaker, and sensitive microphone.
- Illuminated keypad includes 3 relays, 1200 codes, with latching & momentary operation + more.
- Brushed stainless steel construction with gloss acrylic trim.
- Kit includes speech panel, transmitter module, power supply, 3 metres screened CAT5 cable, handset, charging base, charger, and install manual.

DECT 603

Kits & Part numbers

603



603-EH (Extra Handset)

- Add up to 3 extra handsets to any 603 kit (4 handsets in total).
- Make internal calls between handsets.
- Complete with charging base and plug in charger.



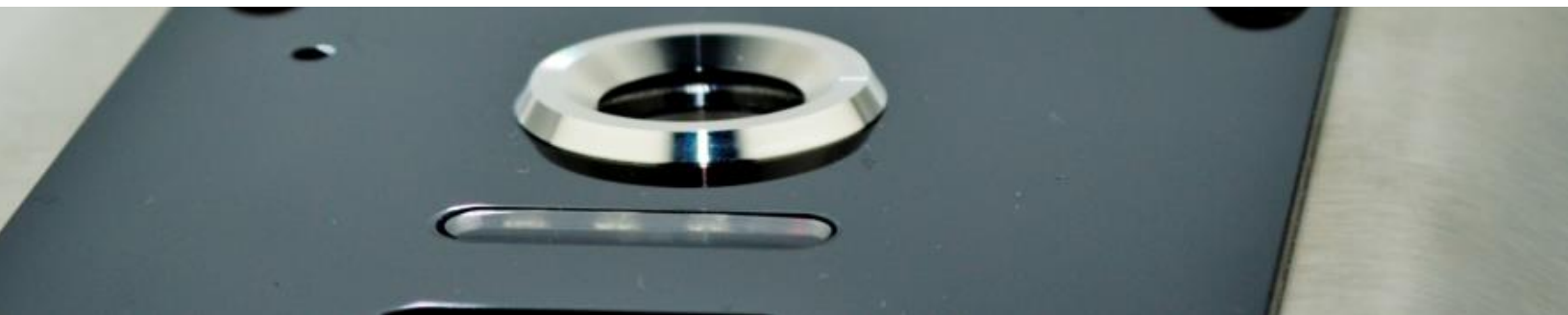
INNOVATIVE SECURITY TECHNOLOGY

NEW

Exciting NEW product for
2016

VideCom Wired Intercom System

“COMBINING ACCESS CONTROL
WITH HOME SURVEILLANCE”



See page 52 for more details







CellCOM PLUS
GSM Audio Intercom

CellCom Plus



Accepts any 2G capable SIM card.
Quad band modem.
850 / 900 / 1800 / 1900 MHz



GSM SIGNAL



Call fixed line phone



Call mobile cell phone



Calls up to 4 numbers in sequence
(depending on model)

- GSM intercom for unlimited range access control.
- Makes phone calls on a SIM card, just like a cell phone.
- Can call up to 4 numbers in sequence (depending on model).
- Can call both fixed line and mobile phones.
- Caller ID feature built in for access control for up to 100 numbers.
- Optional iPhone and Android apps available for advanced control of relay outputs.
- 2 year manufacturers warranty.
- 2 relay outputs.
- IP56 rated panels.
- BS-316 marine grade brushed stainless steel and reinforced gloss black acrylic construction.

Cellcom PLUS

GSM Audio Intercom

CellCom Plus



Technical Details

<u>NEW Features for 2016- CellCOM PLUS</u>	
Power Supply	15v dc adaptor included.
GSM PCB Relays	2
Relay type	N/C or N/O, momentary & latching
Dialling numbers	4
Caller ID numbers	100
Alert when gates triggered	✓
Modem standby	45mA
Max current consumption	250mA, 2 amp peak

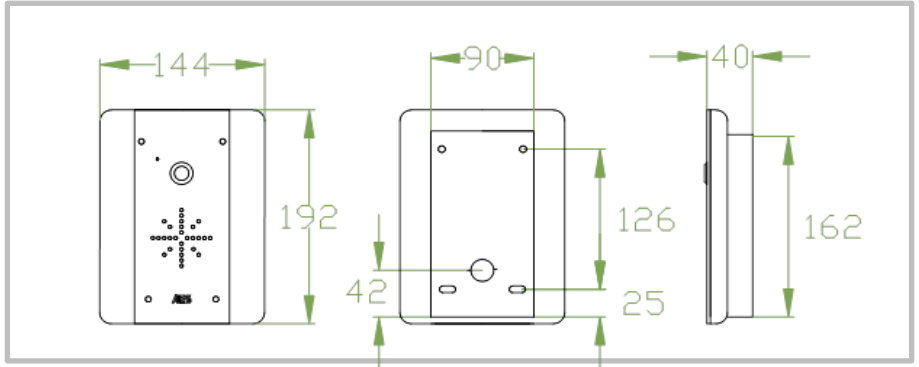
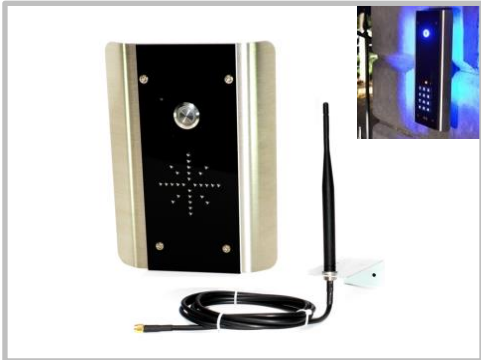
<u>Keypad Specs</u>	
Relays	3, with N/C & N/O contacts, latching and momentary operation
Relay load	2A 24v AC max
Keypad codes	1200 codes
Consumption	16mA standby, 200mA peak when relay triggered

NEW

Cellcom PLUS
Kits & Part numbers

Architectural Panel

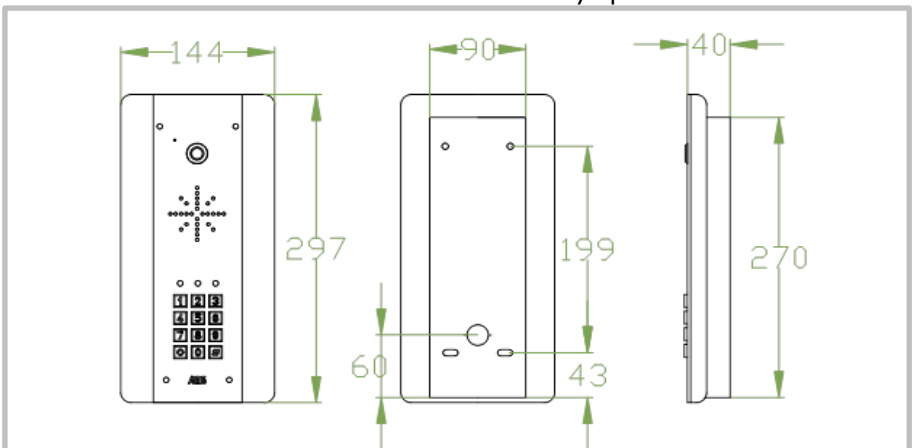
CellCom Plus



GSM-4AB	PLUS model
GSM-4AB/3GE	PLUS model with dual 3G/2G capability (European version)
GSM-4AB/3GA	PLUS model with dual 3G/2G capability (Australian & US version)

-Stylish curved architectural model. Constructed from BS316 marine grade stainless steel and finished with gloss black acrylic trim. Modern blue backlighting.
 -Kit includes speech panel, antenna, power supply & install manual.
 -For Plus model additional features, please refer to pg12.

Architectural Panel with Keypad

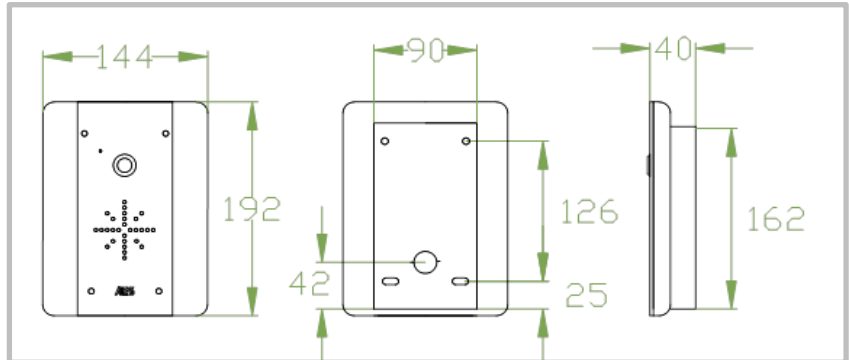


GSM-4ABK	PLUS model
GSM-4ABK/3GE	PLUS model with dual 3G/2G capability (European version)
GSM-4ABK/3GA	PLUS model with dual 3G/2G capability (Australian & US version)

-Stylish curved architectural model. Constructed from BS316 marine grade stainless steel and finished with gloss black acrylic trim. Modern blue backlighting.
 -Keypad includes 3 relays, 1200 codes with latching and momentary operation.
 -Kit includes power supply, antenna and install manual.

Cellcom PLUS
Kits & Part numbers

All Stainless Architectural Panel

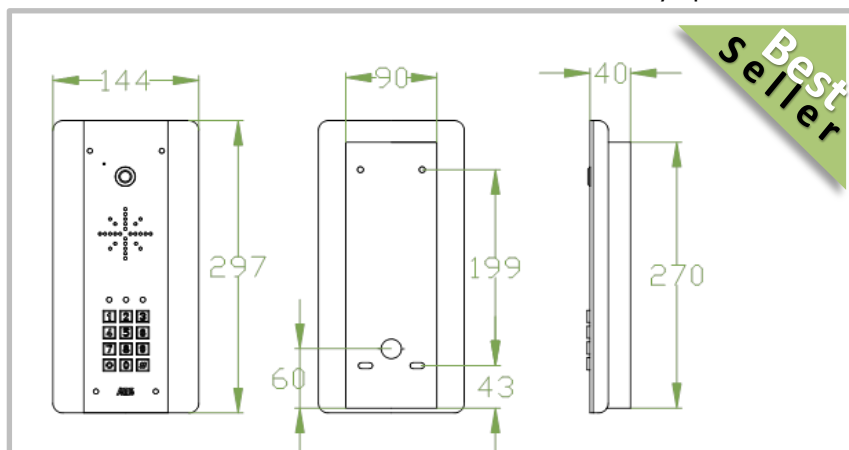


CellCom Plus

GSM-4AS	PLUS model
GSM-4AS/3GE	PLUS model with dual 3G/2G capability (European version)
GSM-4AS/3GA	PLUS model with dual 3G/2G capability (Australian & US version)

--Curved architectural model in an attractive and rugged all brushed BS316 marine grade stainless steel, with modern cool white back lighting illumination.
 -Kit includes speech panel, antenna, power supply & install manual.
 -For Plus model additional features, please refer to pg12.

All Stainless Architectural with Keypad



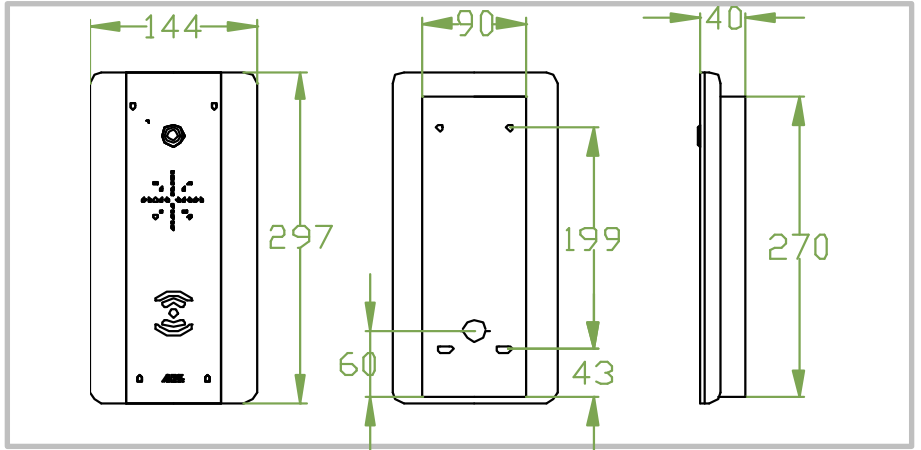
GSM-4ASK	PLUS model
GSM-4ASK/3GE	PLUS model with dual 3G/2G capability (European version)
GSM-4ASK/3GA	PLUS model with dual 3G/2G capability (Australian & US version)

-Curved architectural model in an attractive and rugged all brushed BS316 marine grade stainless steel, with modern cool white back lighting illumination.
 -Keypad includes 3 relays, 1200 codes with latching and momentary operation.
 -Kit includes power supply, antenna and install manual.

Cellcom PLUS Kits & Part numbers

CellCom Plus

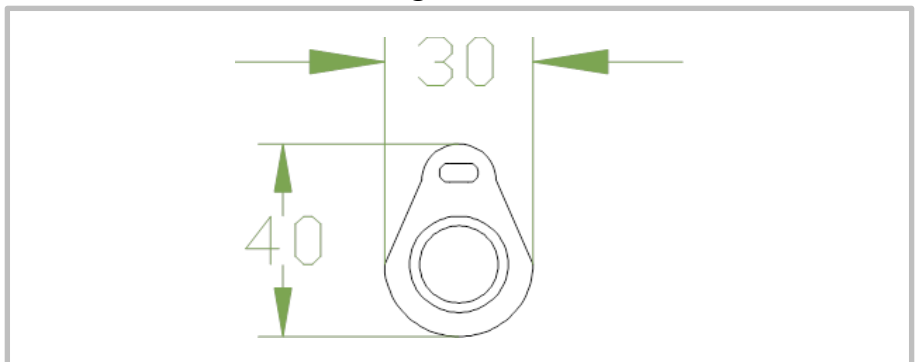
Architectural Panel with Prox Reader



GSM-4ABP	PLUS model
GSM-4ABP/3GE	PLUS model with dual 3G/2G capability (European version)
GSM-4ABP/3GA	PLUS model with dual 3G/2G capability (Australian & US version)

- Curved architectural model with proximity reader.
- Comes with 3 user tags, 1 add tag and 1 delete tag.
- Can store up to 1000 user tags.
- BS316 marine grade stainless steel construction, with gloss black acrylic, and modern blue back lighting.
- For PLUS model additional features please refer to page 12.

Additional Prox Tags

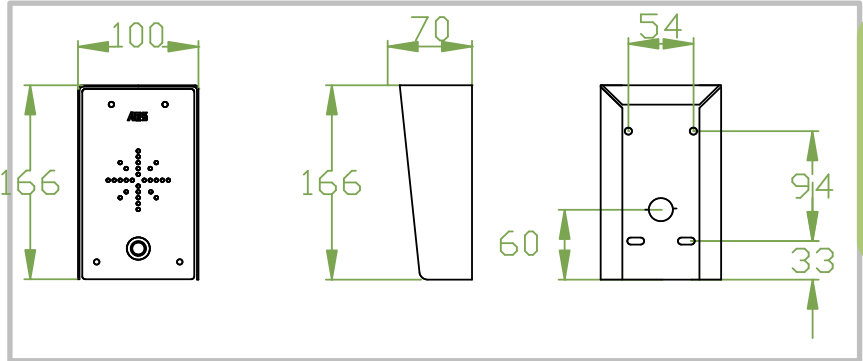


PROX1	Additional Prox Tag.
-------	----------------------

Cellcom PLUS

Kits & Part numbers

Hooded Panel

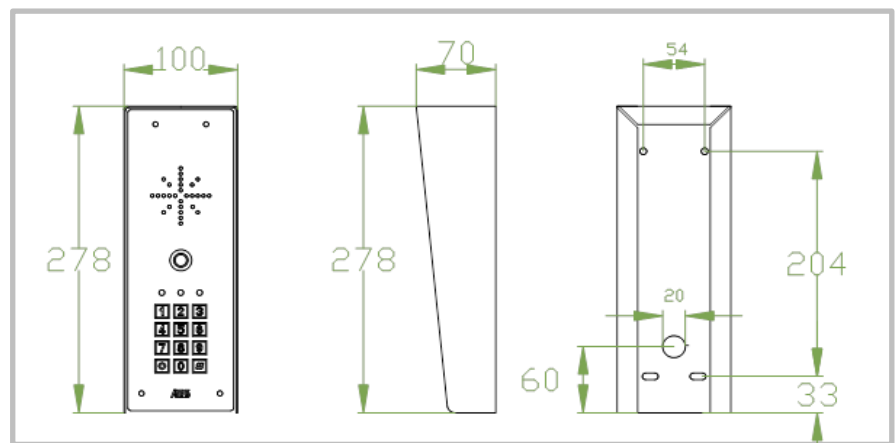


CellCom Plus

GSM-4HB	PLUS model
GSM-4HB/3GE	PLUS model with dual 3G/2G capability (European version)
GSM-4HB/3GA	PLUS model with dual 3G/2G capability (Australian & US version)

- Hooded model, for a more traditional yet smart look.
- BS316 marine grade stainless steel construction with gloss black face trim.
- Kit includes speech panel, antenna, power supply & install manual.
- For Plus model additional features, please refer to pg12.

Hooded Panel with Keypad



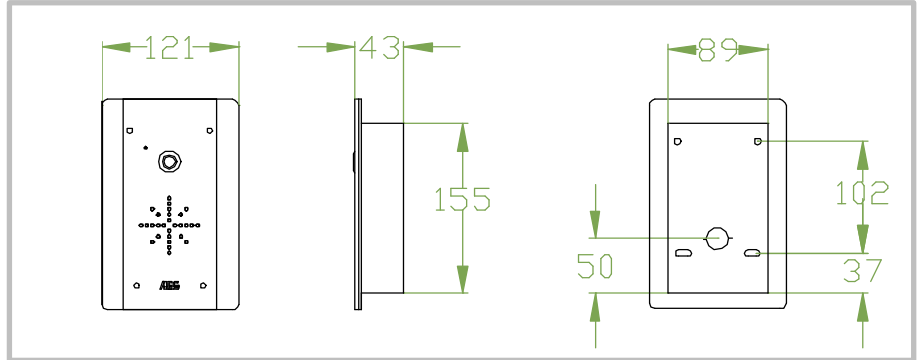
GSM-4HBK	PLUS model
GSM-4HBK/3GE	PLUS model with dual 3G/2G capability (European version)
GSM-4HBK/3GA	PLUS model with dual 3G/2G capability (Australian & US version)

- Hooded model with Keypad.
- Keypad includes 3 relays, 1200 codes, with latching & momentary operation + more.
- BS316 marine grade stainless steel construction with gloss black face trim.
- Kit includes speech panel, antenna, power supply & install manual.

Cellcom PLUS
Kits & Part numbers

CellCom Plus

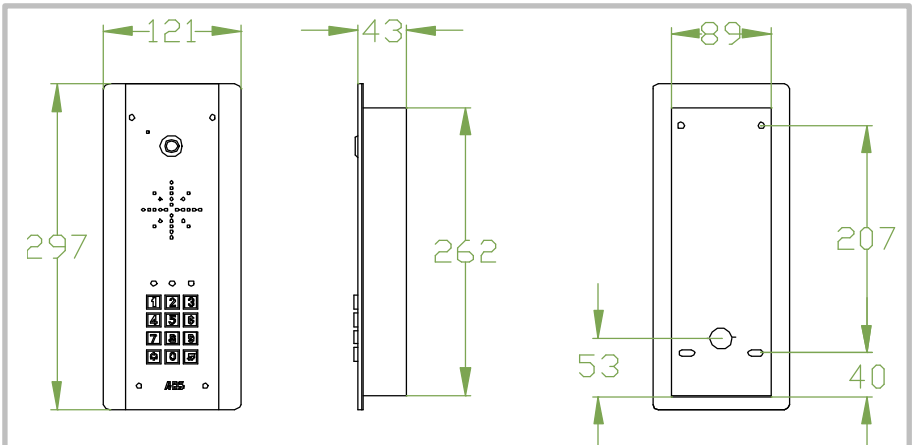
Flush Recessed Panel



GSM-4FB	PLUS model
GSM-4FB/3GE	PLUS model with dual 3G/2G capability (European version)
GSM-4FB/3GA	PLUS model with dual 3G/2G capability (Australian & US version)

- Flush recessed model for a sleek finish.
- BS316 marine grade stainless steel construction with gloss black face trim.
- Kit includes speech panel, antenna, power supply & install manual.
- For Plus model additional features, please refer to pg12.

Flush with Keypad Panel



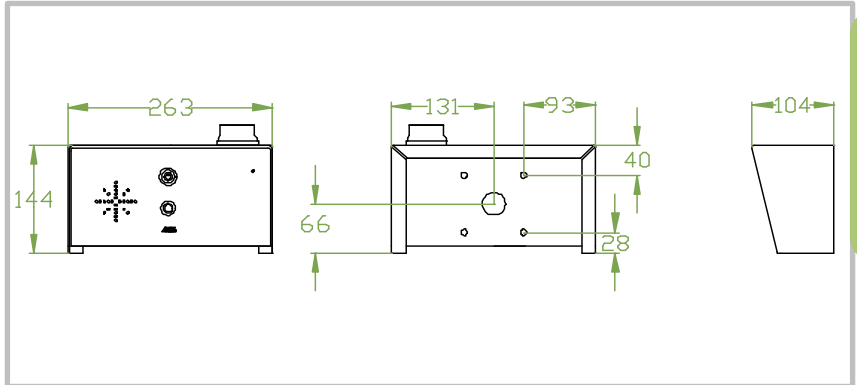
GSM-4FBK	PLUS model
GSM-4FBK/3GE	PLUS model with dual 3G/2G capability (European version)
GSM-4HBK/3GA	PLUS model with dual 3G/2G capability (Australian & US version)

- Flush recessed model with keypad for a sleek finish.
- Keypad includes 3 relays, 1200 codes, with latching & momentary operation + more.
- BS316 marine grade stainless steel construction with gloss black face trim.
- Kit includes speech panel, antenna, power supply & install manual.

Cellcom PLUS

Kits & Part numbers

Industrial Panel

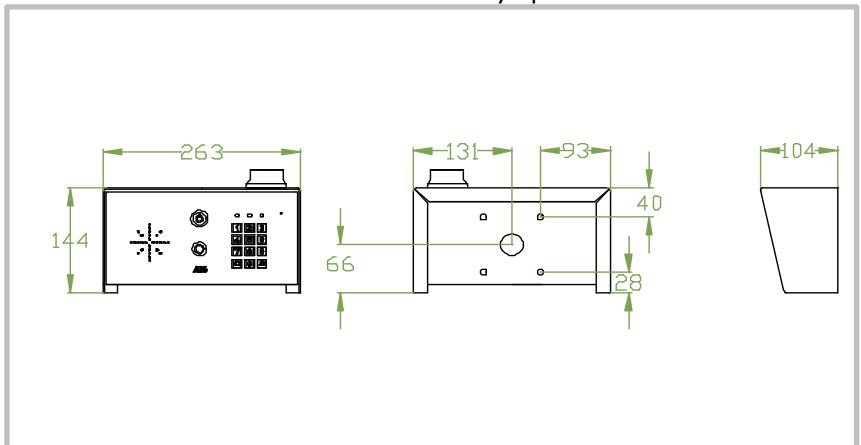


CellCom Plus

GSM-4iB	PLUS model
GSM-4iB/3GE	PLUS model with dual 3G/2G capability (European version)
GSM-4iB/3GA	PLUS model with dual 3G/2G capability (Australian & US version)

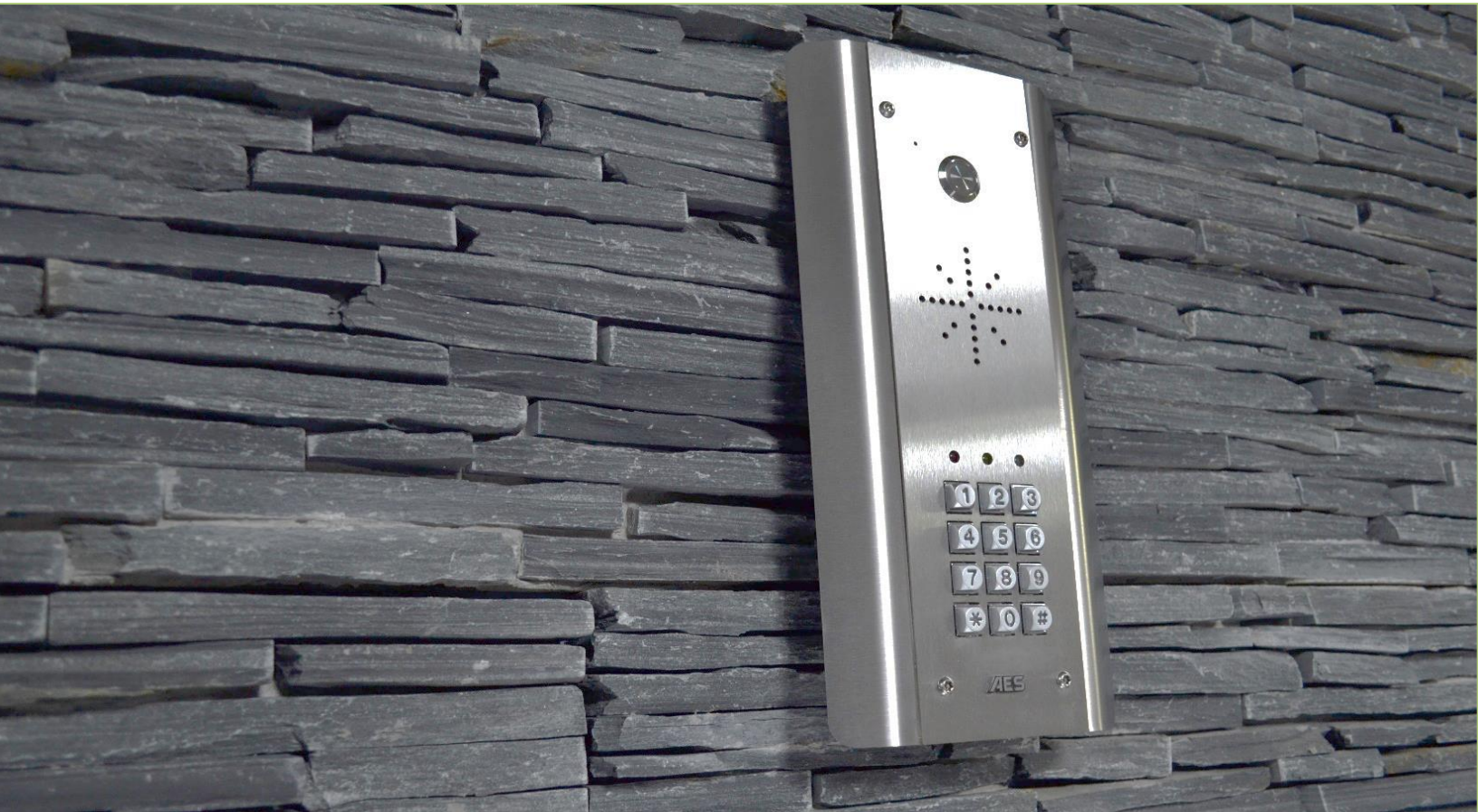
- Industrial version for pedestal mount, vehicle entrances, trucks and loud industrial applications.
- BS316 marine grade stainless steel construction with gloss black face trim.
- Kit includes speech panel, antenna, power supply & install manual.
- For Plus model additional features, please refer to pg12.

Industrial Panel with Keypad



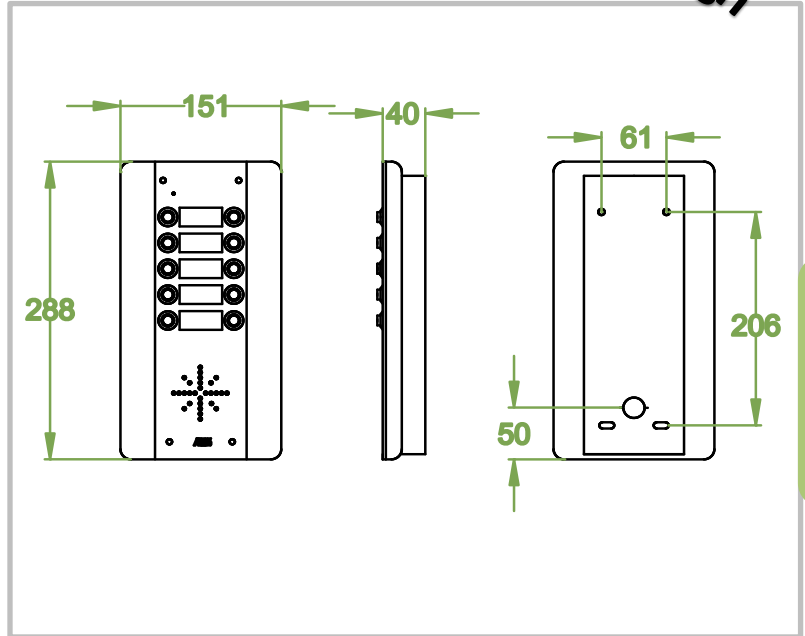
GSM-4iBK	PLUS model
GSM-4iBK/3GE	PLUS model with dual 3G/2G capability (European version)
GSM-4iBK/3GA	PLUS model with dual 3G/2G capability (Australian & US version)

- Industrial version for pedestal mount, vehicle entrances, trucks and loud industrial applications.
- Keypad includes 3 relays, 1200 codes, with latching & momentary operation + more.
- BS316 marine grade stainless steel construction with gloss black face trim.
- Kit includes speech panel, antenna, power supply & install manual.



CellCOMPlus
Kits & Part numbers

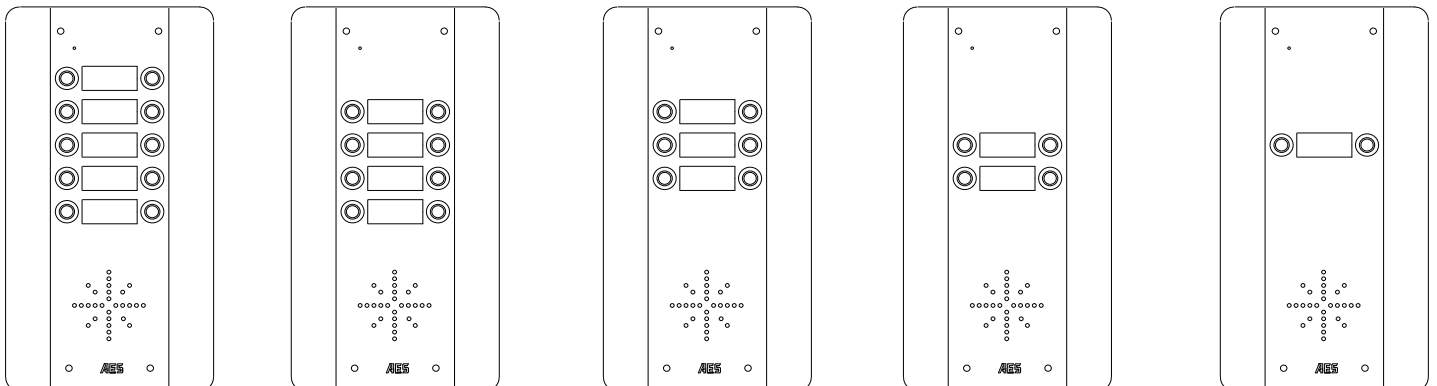
NEW
All in one
design



MultiButton

Stainless Steel		Stainless Steel- 3G Compatible (America/Europe)	
GSM-4AS2	2 button	GSM-4AS2/3G (add A for USA, E for Europe)	2 button
GSM-4AS4	4 button	GSM-4AS4/3G (add A for USA, E for Europe)	4 button
GSM-4AS6	6 button	GSM-4AS6/3G (add A for USA, E for Europe)	6 button
GSM-4AS8	8 button	GSM-4AS8/3G (add A for USA, E for Europe)	8 button
GSM-4AS10	10 button	GSM-4AS10/3G (add A for USA, E for Europe)	10 button

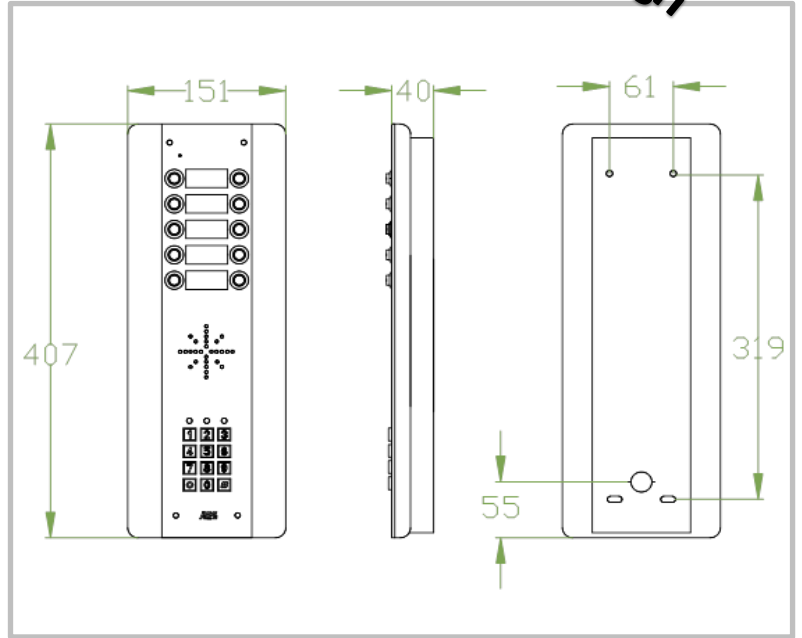
- Architectural panel for multi button installations.
- BS316 marine grade stainless steel construction.
- Kit includes speech panel, antenna, power supply & install manual.



CellCOMPlus
Kits & Part numbers

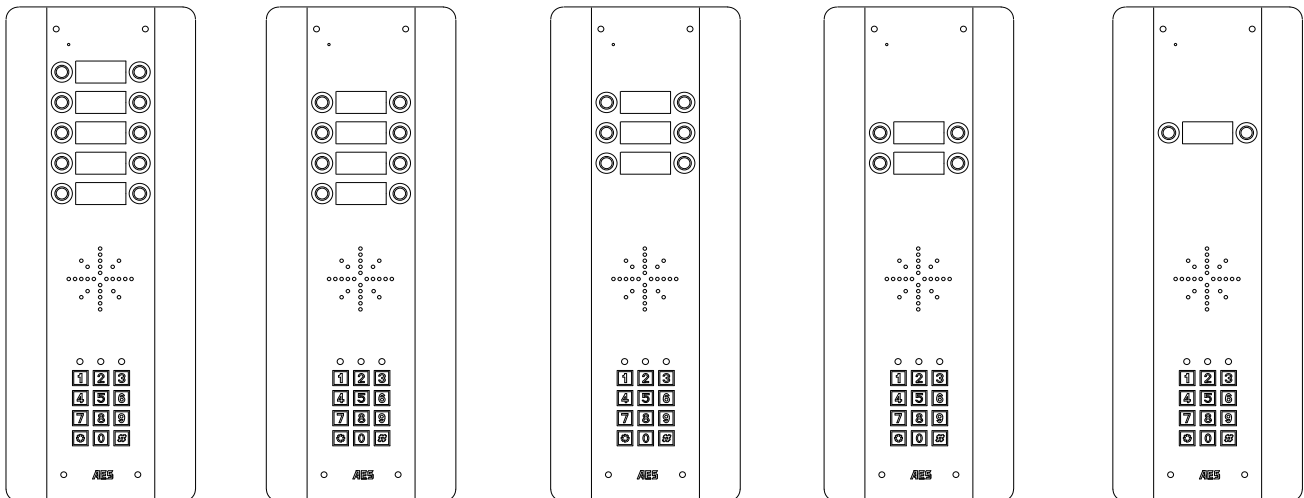
NEW
All in one
design

MultiButton



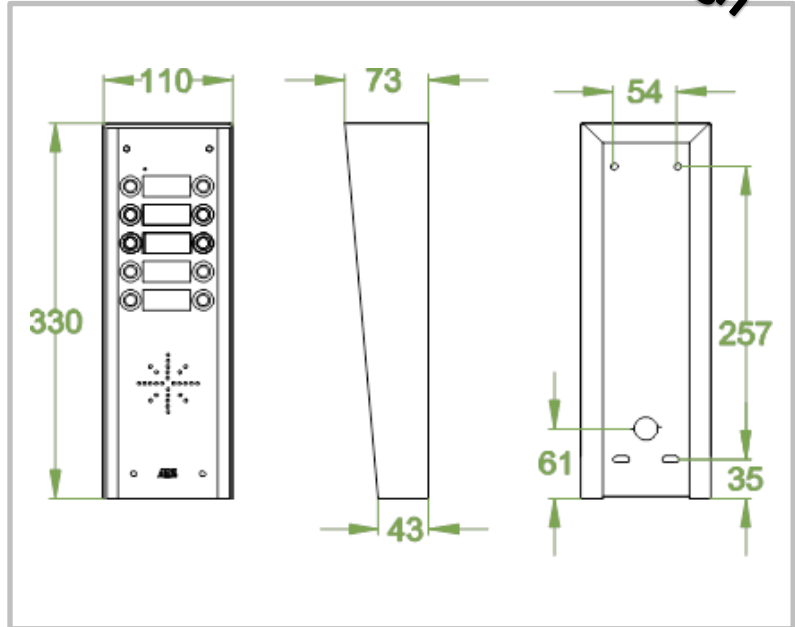
STAINLESS STEEL		STAINLESS STEEL-3G Compatible (America/Europe)	
GSM-4ASK2	2 button	GSM-4ASK2/3G (add A for USA, E for Europe)	2 button
GSM-4ASK4	4 button	GSM-4ASK4/3G (add A for USA, E for Europe)	4 button
GSM-4ASK6	6 button	GSM-4ASK6/3G (add A for USA, E for Europe)	6 button
GSM-4ASK8	8 button	GSM-4ASK8/3G (add A for USA, E for Europe)	8 button
GSM-4ASK10	10 button	GSM-4ASK10/3G (add A for USA, E for Europe)	10 button

- Architectural panel for multi button installations.
- BS316 marine grade stainless steel construction.
- Kit includes speech panel, antenna, power supply & install manual.



CellCOMPlus
Kits & Part numbers

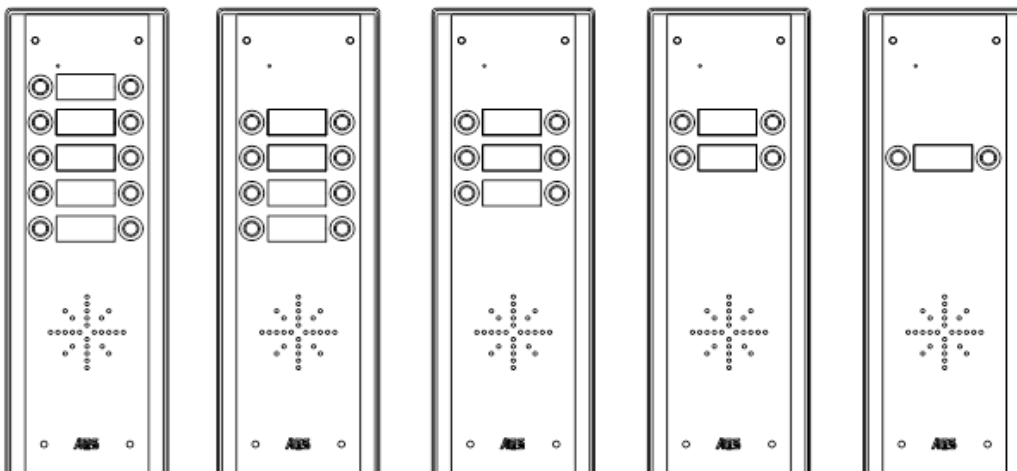
NEW
All in one
design



MultiButton

STAINLESS STEEL		STAINLESS STEEL-3G Compatible (America/Europe)	
GSM-4HS2	2 button	GSM-4HS2/3G (add A for USA, E for Europe)	2 button
GSM-4HS4	4 button	GSM-4HS4/3G (add A for USA, E for Europe)	4 button
GSM-4HS6	6 button	GSM-4HS6/3G (add A for USA, E for Europe)	6 button
GSM-4HS8	8 button	GSM-4HS8/3G (add A for USA, E for Europe)	8 button
GSM-4HS10	10 button	GSM-4HS10/3G (add A for USA, E for Europe)	10 button

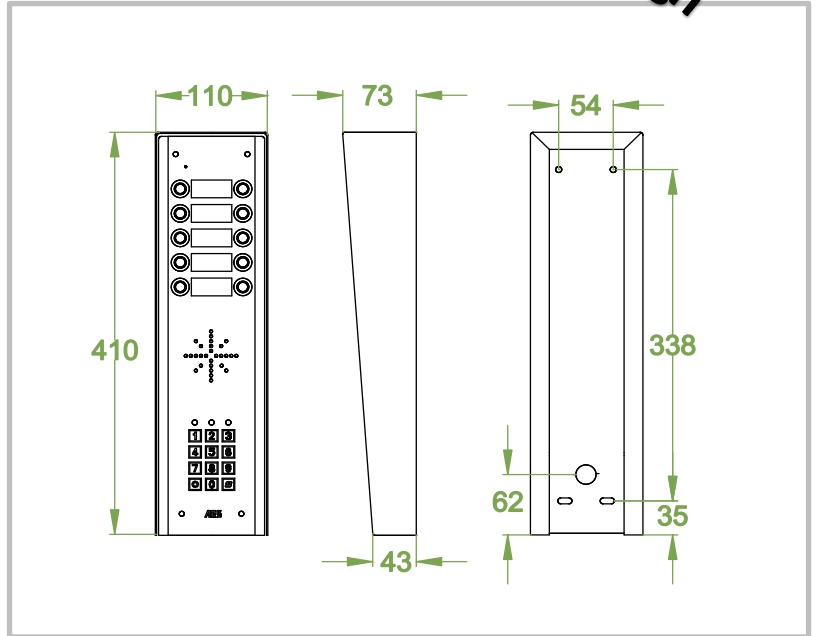
- Hooded panel for multi button installations.
- BS316 marine grade stainless steel construction.
- Kit includes speech panel, antenna, power supply & install manual.



CellCOMPlus
Kits & Part numbers

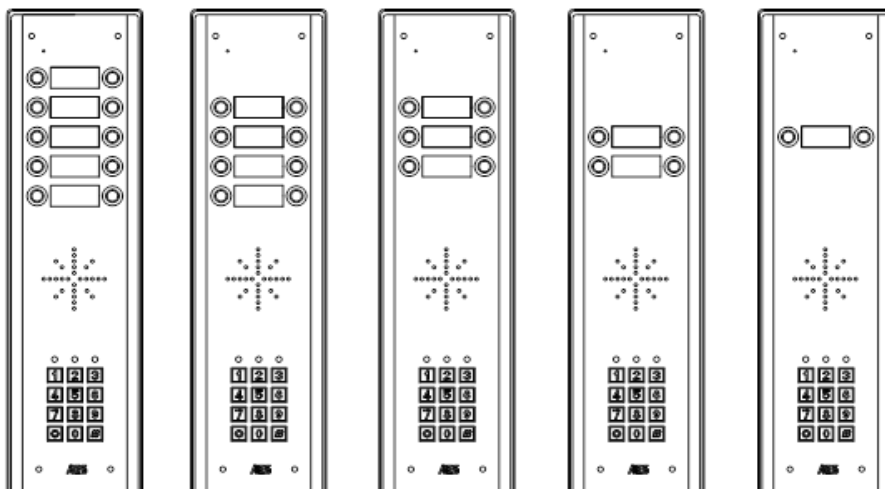
NEW
All in one
design

MultiButton



STAINLESS STEEL		STAINLESS STEEL- 3G Compatible (America/Europe)	
GSM-4HSK2	2 button	GSM-4HSK2/3G (add A for USA, E for Europe)	2 button
GSM-4HSK4	4 button	GSM-4HSK4/3G (add A for USA, E for Europe)	4 button
GSM-4HSK6	6 button	GSM-4HSK6/3G (add A for USA, E for Europe)	6 button
GSM-4HSK8	8 button	GSM-4HSK8/3G (add A for USA, E for Europe)	8 button
GSM-4HSK10	10 button	GSM-4HSK10/3G (add A for USA, E for Europe)	10 button

- Hooded panel with keypad for multi button installations.
- BS316 marine grade stainless steel construction.
- Kit includes speech panel, antenna, power supply & install manual.





INNOVATIVE SECURITY TECHNOLOGY



MultiCOM
GSM Apartment
Intercom



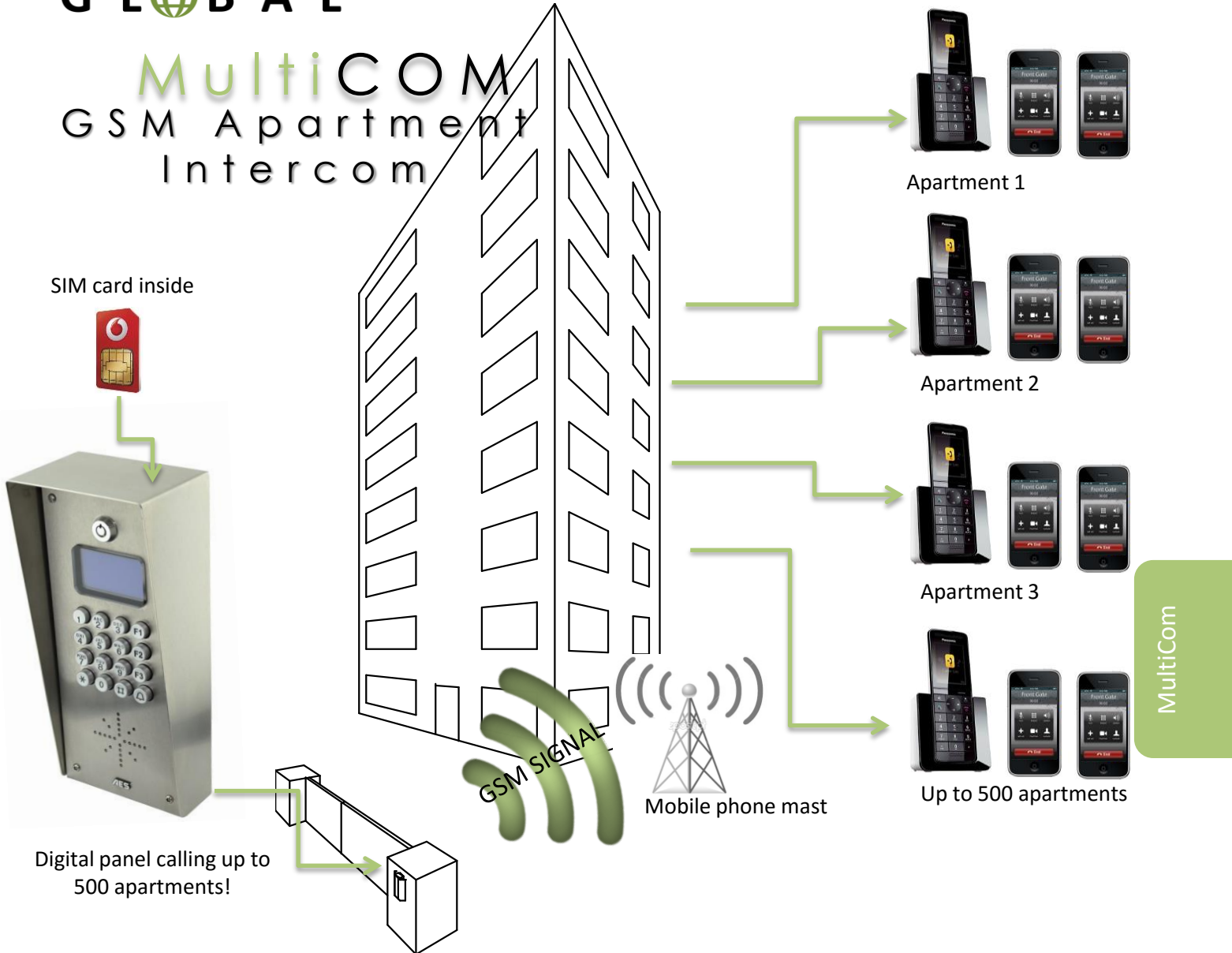
Wall mount model

Pedestal / post mount model

MultiCom

- Multi apartment / multi resident wireless GSM intercom.
- Calls up to 3 numbers per apartment.
- Up to 500 apartments can be stored in the unit.
- 2 relay outputs.
- Programmable by SMS text, PC USB link, or onscreen with keypad.
- All stainless steel construction.
- Toughened acrylic LCD protector screen.
- Portrait wall mount style, and pedestal mount styles available.
- Both models with high security key access front door.
- Built in "puck" style antenna on pedestal version

MultiCOM
GSM Apartment
Intercom



- Digital directory and display, users can scroll names or dial by apartment number.
- Customisable welcome screen message and instructions.
- Press * for relay 1 and # for relay 2.
- Keypad can also be used as 4-6 digit access control keypad
- 2 year manufacturers warranty

MultiCOM GSM Apartment Intercom

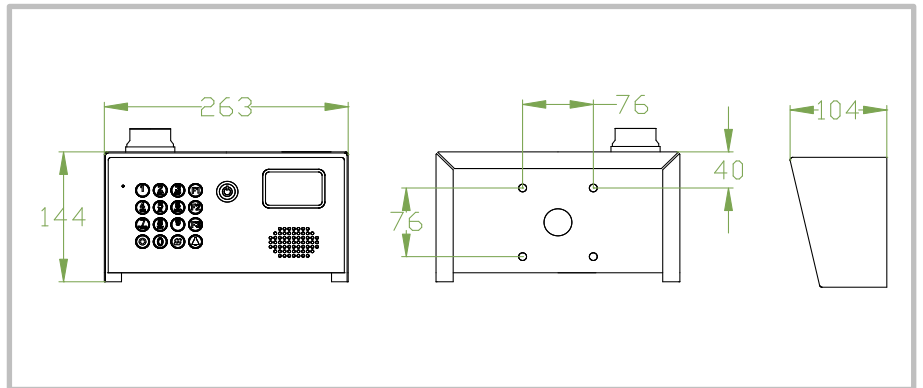


MultiCOM-500

Technical Details

Power Supply	24vdc (adaptor included)	GSM Modem	Quad band 850/900/1800/1900
Current Consumption	100mA standby, 1 amp dialling.	Modem approvals	CE & FCC
Relay Outputs	2	Programming method	SMS & with keypad on screen
Relay type	N/O & N/C contacts	Caller ID	Yes
Relay time	Adjustable 1-9999 seconds	Relay control	By phone
Relay load	2A 24v AC max	Keypad codes	1
IP rating	IP55		

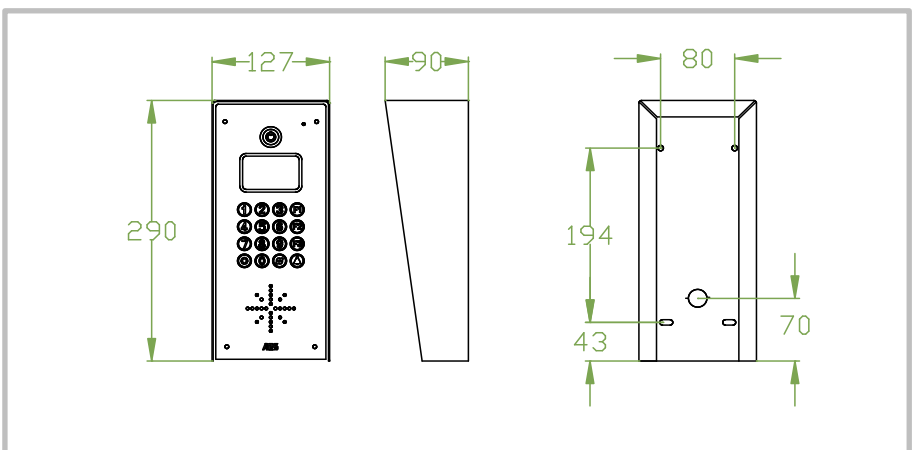
MultiCOM Kits & Part numbers



MultiCOM-500iS

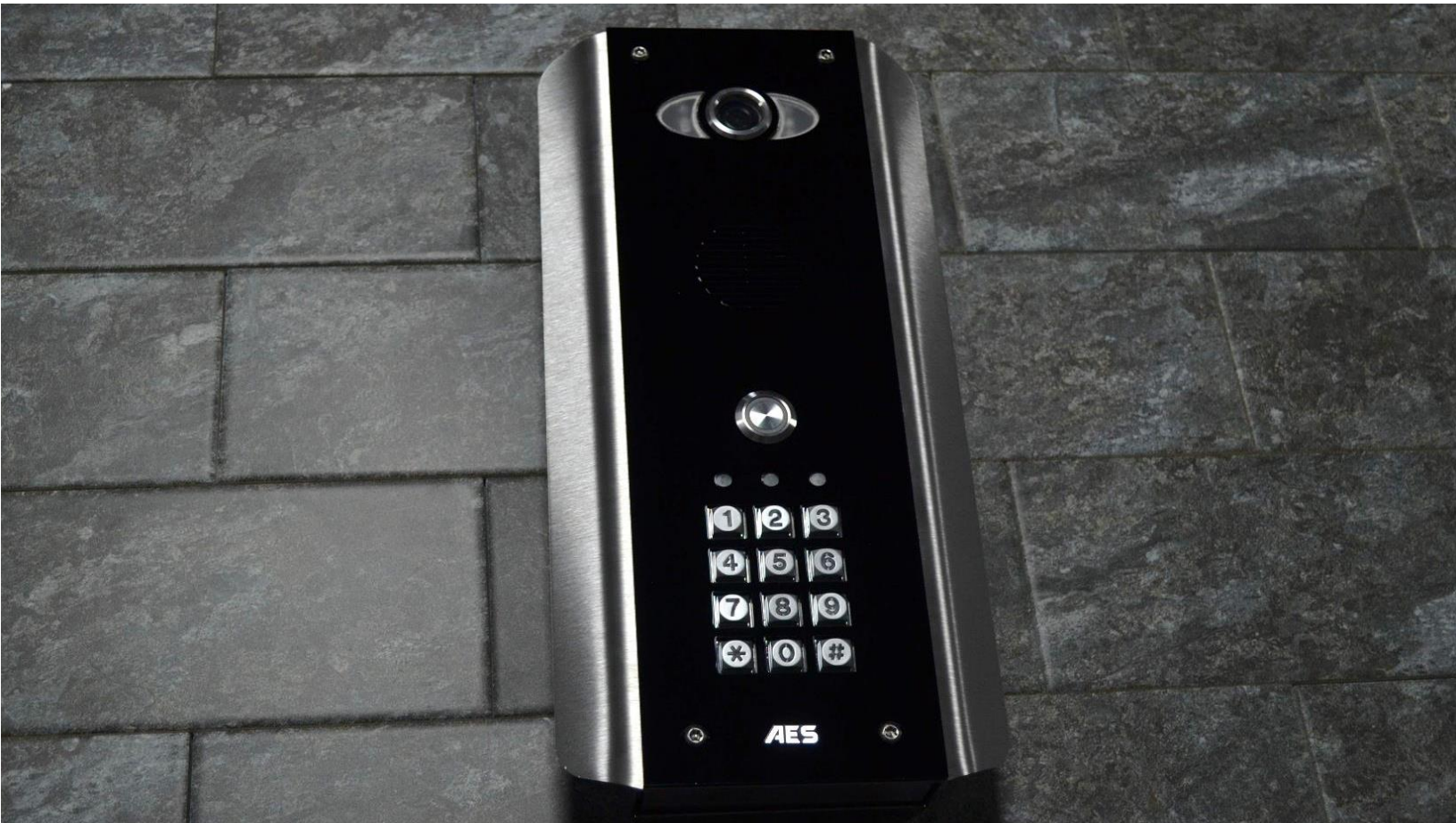
- Pedestal mountable version with industry standard 3" x 3" mounting hole arrangement.
- Super high volume model with 4 watt speaker, perfect for car park barriers and industrial entrances.

MultiCom



MultiCOM-500HS

- Wall mounted version for regular building door access or shared gate entrances.
- BS316 Marine grade stainless steel rain & sun hood.



Predator GSM

GSM Video Intercom



Night illumination

- Speak to, and see your visitor from your smart-phone.
- Receive 3G video call to compatible devices, including many Android, Windows, & Nokia phones (excludes iPhone, Apple do not support 3GPP video calls).
- Can call up to 3 numbers in sequence.
- Makes regular voice calls to land line phones, & video calls to smart phones.
- Caller ID feature built in for access control for up to 100 numbers.
- 2 year manufacturers warranty.

Predator GSM

GSM Video Intercom



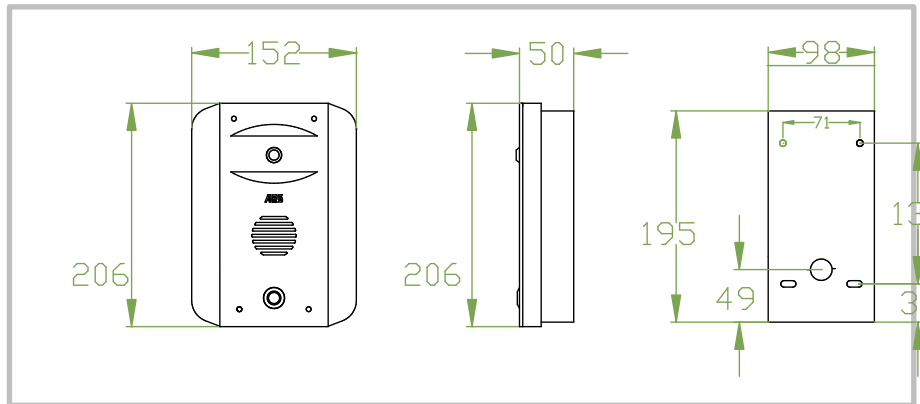
Predator GSM

Technical Details

Power Supply	12-15v dc (adaptor included)	GSM Modem	Quad band 850/900/1800/1900 + 2100 3G connectivity
Current Consumption	80mA standby, 1A dial up	Modem approvals	CE & FCC
Relay Outputs	2	Programming method	SMS programming
Relay type	N/O & N/C contacts	Caller ID	100 numbers
Relay time	Adjustable 1-9999 Seconds	Relay control	By phone and SMS
Relay load	2A 24v AC max	Keypad relays	3
Camera Type	1 Megapixel colour	Keypad programming	On the keypad itself
Camera viewing angle	80 degrees	Keypad codes	1200 total
Night vision	2m range with white light LEDs	Wiegand output	Yes, 26 & 34 bit
IP Rating	IP55		

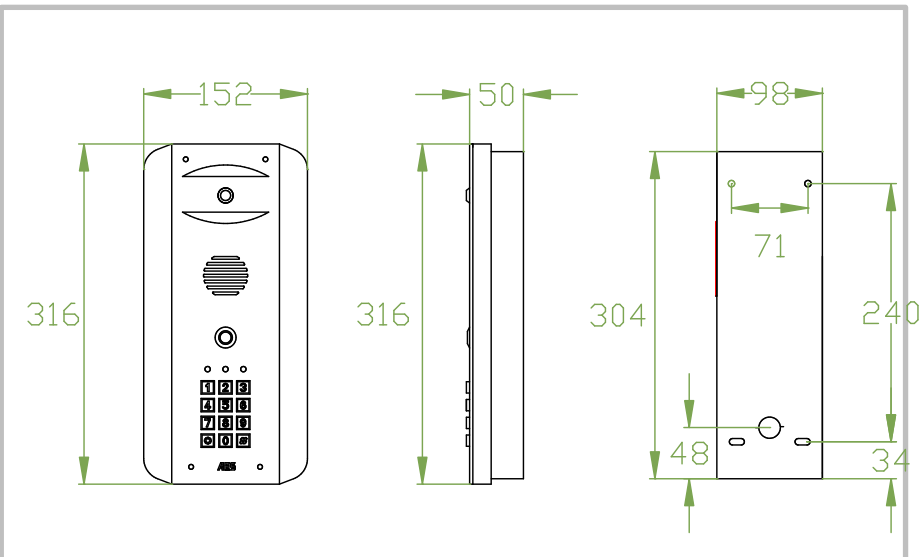
Predator GSM

Kits & Part numbers



GSM-3V-AB (Standard Architectural model)

- Stylish curved architectural model
- Modern blue back lighting effect.
- BS316 marine grade, brushed stainless steel construction with gloss acrylic trim.
- Kit includes speech panel, antenna, power supply & install manual.



GSM-3V-ABK (Standard Architectural model with Keypad)

- Stylish curved architectural model.
- Keypad includes 3 relays, 1200 codes, with latching & momentary operation + more.
- Modern blue back lighting effect.
- BS316 marine grade, brushed stainless steel construction with gloss acrylic trim.
- Kit includes speech panel, antenna, power supply & install manual.

Predator GSM

Predator Wi-Fi

Wi-Fi / 3G Video Intercom



- Speak to, and see your visitor from your smart-phone.
- Easy wireless connection to existing home Wi-Fi.
- Up to 150 metre range with directional antenna (dependant on location of router in house).
- Can call up to 4 devices at the same time.
- Get a video call from your gate / door even when away from home!
- No data use when phone on Wi-Fi connection.
- 2 year manufacturers warranty.

Predator WiFi

Predator Wi-Fi

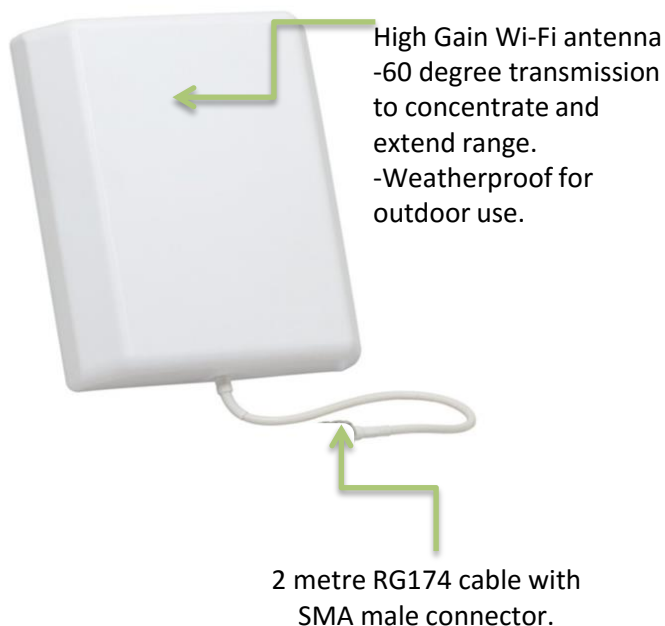
Wi-Fi / 3G Video Intercom



- Simple setup by mobile phone. Connect to the intercom directly through your phone's Wi-Fi, enter the pass code for the home hub Wi-Fi and the device is connected.
- View the gate/door and open any time with monitoring mode.
- Stores images of the last 32 missed callers on your phone.
- Still works locally on Wi-Fi network even if broadband goes down.
- Can work with most market standard outdoor Wi-Fi repeaters for extended range.

Predator Wi-Fi

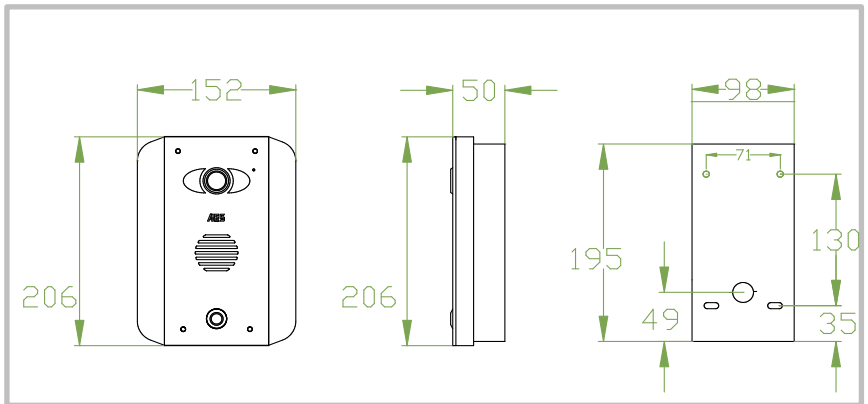
Wi-Fi / 3G Video Intercom



Technical Details

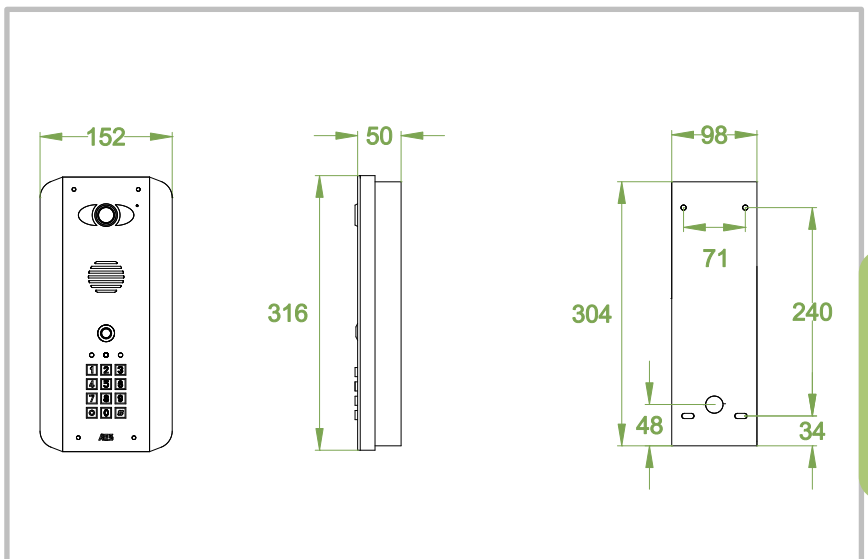
Power Supply	24vdc (adaptor included)	App name	Predator Wi-Fi PRO
Current Consumption	80mA standby, 300mA calling.	Audio	Half duplex loud speaker mode (Press mic icon to speak)
Relay Outputs	1	Keypad option	yes
Relay type	N/O & N/C contacts	Keypad relays	3
Relay time	Adjustable 1-10 secs	Keypad codes	1200
Relay load	2A 24v AC max	Wi-Fi range	200m with directional antenna.
IP rating	IP55	Wi-Fi standard	802.11b/g/n
Camera	Colour, 110 degree, 640x480 pixel	Security	6 digit passcode protected
Night vision	Yes, by infrared illumination	Uplink bandwidth	110K bits/sec

Predator Wi-Fi Kits & Part numbers



WiFi-AB (Standard Architectural model)

- Stylish curved architectural model
- Modern blue back lighting effect.
- Marine grade, brushed stainless steel construction with gloss acrylic trim.
- Kit includes speech panel, antenna, power supply & install manual.



WiFi-ABK (Standard Architectural model with Keypad)

- Stylish curved architectural model.
- Keypad includes 3 relays, 1200 codes, with latching & momentary operation + more.
- Modern blue back lighting effect.
- Marine grade, brushed stainless steel construction with gloss acrylic trim.
- Kit includes speech panel, antenna, power supply & install manual.

Predator WiFi



INNOVATIVE SECURITY TECHNOLOGY



DECT 605

Wireless Video Intercom

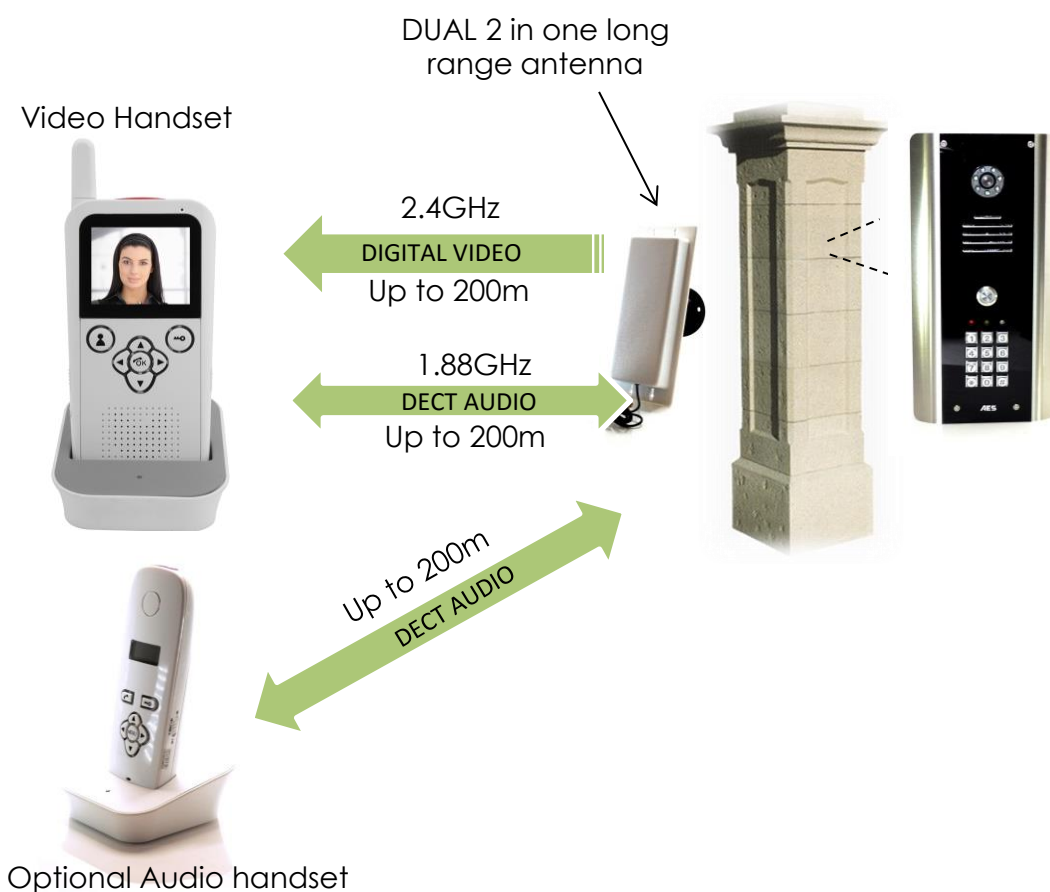


Night illumination

- Wireless video intercom system for gates.
- Longest range Rf video intercom in the world, working range 200 metres (450m open field).
- Unique technology combining 2.4G digital & DECT 1.88GHz digital signals.
- Colour camera with infrared night vision capability.
- Long range antenna as standard.
- Gate / Door release relay built in.
- Optional keypad for access control.

DECT 605

Wireless Video Intercom



- Dual technology, using 2.4G digital spread spectrum for one way video, & two way DECT digital 1.88GHz for voice, giving world leading range capability.
- Add up to a total of 3 audio handsets to compliment the main video handset.
- Voicemail feature built in.

DECT 605

Wireless Video Intercom



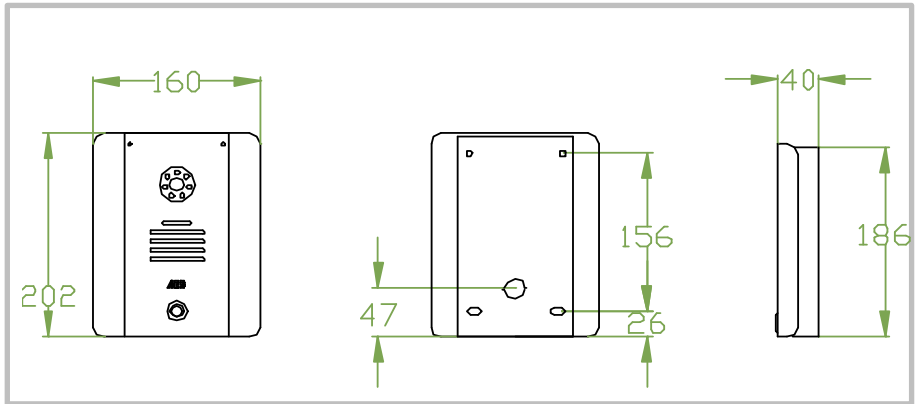
Technical Details

Power Supply	12vdc (adaptor included)	Handset battery	Lithium Ion mobile phone battery
Current Consumption	50mA standby, 1Amp calling.	Battery life	24 hours between charges
Relay Outputs	1	Charging voltage	5v adaptor included
Relay type	N/O & N/C contacts	Keypad option	yes
Relay time	Fixed 4 seconds	Keypad relays	3
Relay load	2A 24v AC max	Keypad codes	1200
IP rating	IP55		
Camera	Colour, 80 degree viewing angle		
Night vision	Yes, by infrared illumination		

605 Video

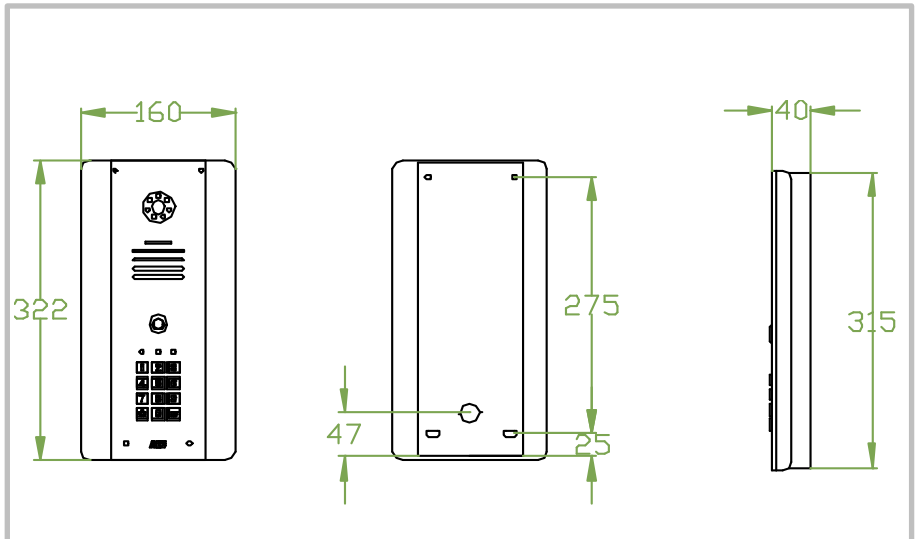
DECT 605

Kits & Part numbers



605-AB (Standard Architectural model)

- Stylish curved architectural model.
- Modern blue back lighting effect.
- BS316 marine grade, brushed stainless steel construction with gloss acrylic trim.
- Kit includes speech panel, antenna, power supply, handset, charging base, charger & install manual.

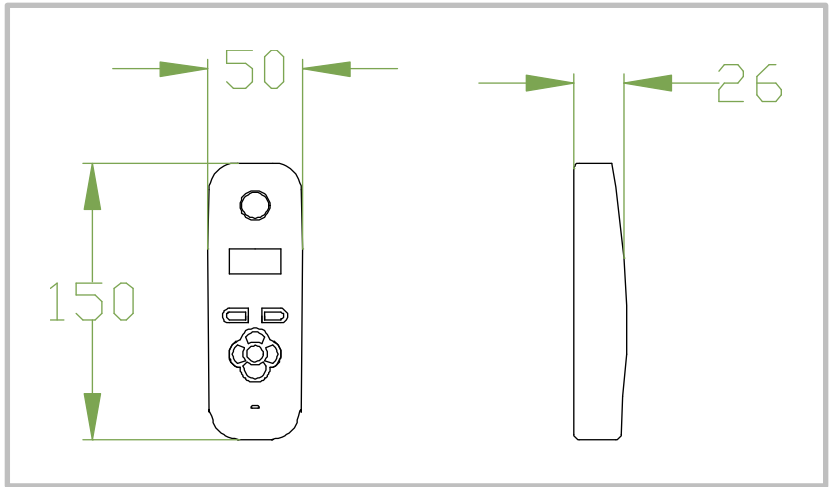


605-ABK (Architectural model with Keypad)

- Stylish curved architectural model.
- Modern blue back lighting effect.
- BS316 marine grade, brushed stainless steel construction with gloss acrylic trim.
- Kit includes speech panel, antenna, power supply, handset, charging base, charger & install manual.

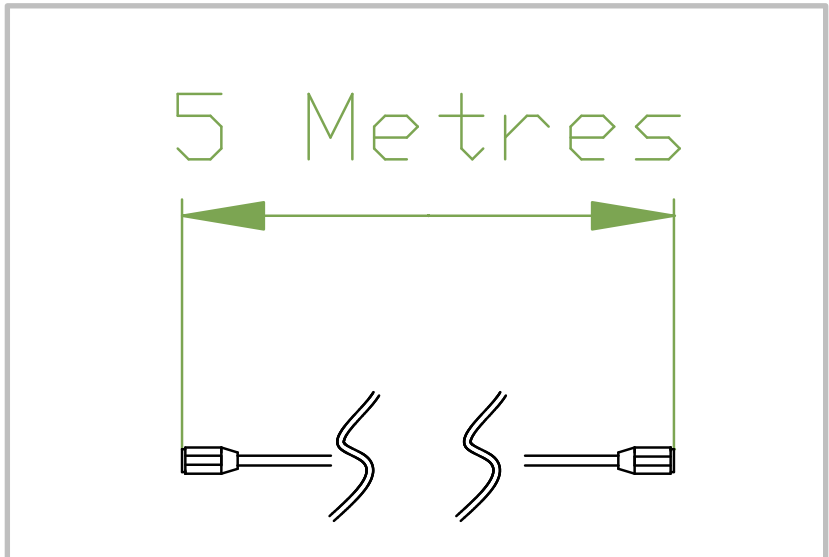
DECT 605

Kits & Part numbers



605-EH (Extra Handset)

-Add up to 3 additional audio handsets to any 605 video kit as additional slave handsets.
(Note this is same handset used for 603 kits).



605-AC5 (Antenna Cable)

-Antenna extension cable kit.
-Complete with SMA male – female couplings.
-5 metres long to extend antenna height or location to achieve better results.



CellCOM 4E

2 Part GSM Intercom

CellCom 4E



Speech panel



Screened CAT5 (3m max)



Accepts any GSM SIM card.
Quad band modem.
850 / 900 / 1800 / 1900 MHz



GSM Module



GSM SIGNAL



Call fixed line phone

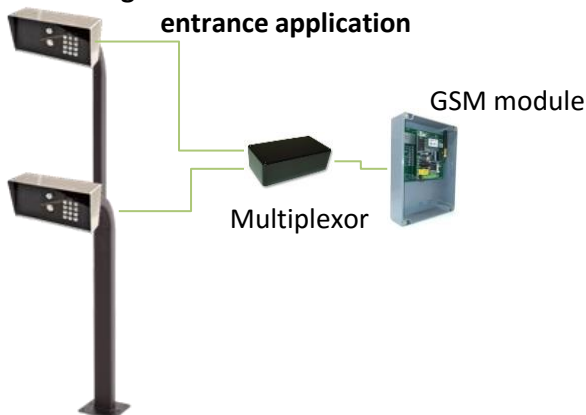


Call mobile cell phone

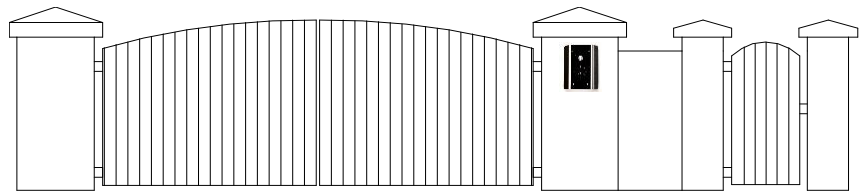


Calls up to 3 numbers in sequence

High & Low commercial vehicle entrance application



Main gate & pedestrian gate application



- 2 piece design, with separate call point and modem.
- Ideal for higher security applications like door access.
- Can also facilitate more than one speech panel when used with a multiplexor.
- Same features as CellCOM+ model.

CellCOM 4E

2 Part GSM Intercom

GSM kits with separate speech panel and GSM modem	Description
GSM-4E/AB	Architectural GSM intercom kit.
GSM-4E/ABK	Architectural GSM intercom kit with keypad.
GSM-4E/HB	Hooded GSM intercom kit.
GSM-4E/HBK	Hooded GSM intercom kit with keypad.
GSM-4E/FB	Flush mounted GSM intercom kit.
GSM-4E/FBK	Flush mounted GSM intercom kit with keypad.
GSM-4E/iB	Industrial high volume GSM intercom kit.
GSM-4E/iBK	Industrial high volume GSM intercom kit with keypad.
<p>Additional Slave Speech Panels</p>	
ABCP	Additional architectural call point.
ABKCP	Additional architectural call point with keypad.
HBCP	Additional hooded call point.
HBKCP	Additional hooded call point with keypad
FBCP	Additional flush call point.
FBKCP	Additional flush call point with keypad.
iBCP	Additional industrial call point.
iBKCP	Additional industrial call point with keypad.
<p>Multiplexor unit</p>	
MULTI-PLEX	Optional multiplexor, recommended to improve speech quality and volume when using more than 1 speech panel on a single GSM unit.

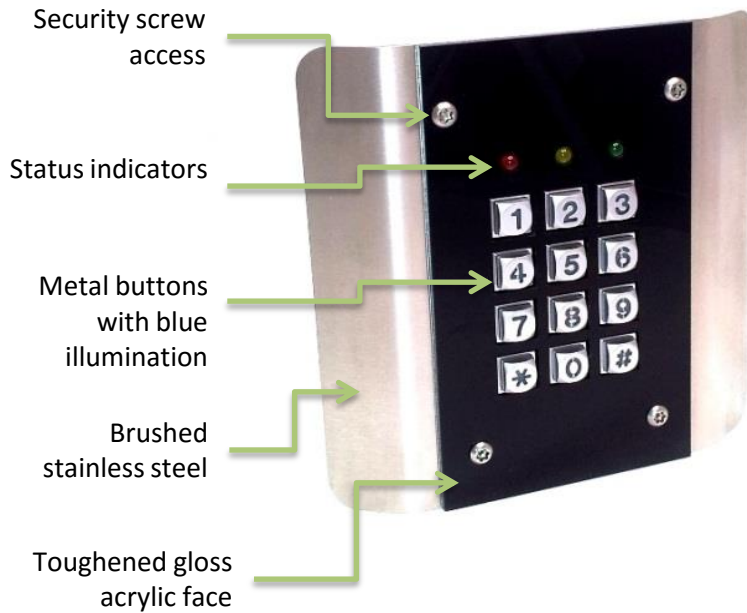


INNOVATIVE SECURITY TECHNOLOGY



Architectural Keypad

Keypad



Night illumination



- Stand alone keypad for access control.
- Architectural style to match and compliment the architectural range of intercoms.
- Useful to add as a pedestrian gate access, or exit keypad.
- Stainless steel construction.
- 3 relays.
- 1200 codes.
- Power supply included.

Technical Details

Power	12-24v dc
Current	34mA standby. 110mA latched relay
Weather rating	IP55
Wiegand output	26 and 34 bit
Egress input	Yes
Relay type	N/C and N/O. Latching & momentary

i-GATE 20

GSM Gate Opener

NEW
-Additional capacity
-Open mode



igate-20

- GSM Gate opener with IOS & Android apps.
- Now stores up to 30 numbers for caller ID access (ring gates to open).
- Open mode option to allow any number to trigger relay without programming.
- Trigger, latch and unlatch gates by SMS text or app.
- Volt free momentary relay output.
- Simple programming by SMS text.

Technical Details

Power	12-24v ac or dc
Current	45mA standby. 200mA when called
Weather rating	IP67
Relay load	24v ac, 2 amps max
Relay type	N/C and N/O. Latching & momentary

i-GATE 100 PLUS

Advanced GSM Gate Opener



iGate-100

- GSM Gate opener with IOS & Android apps.
- Stores up to 100 numbers for caller ID access (ring gates to open).
- Trigger, latch and unlatch gates by SMS text or with app.
- 2 x Volt free momentary relay outputs.
- Simple programming by SMS text.
- Check if gates are opened or closed!
- Can also ring 4 phones when alarm or gates are triggered.
- Check stored numbers by SMS.
- Auto call feature to schedule outgoing call (prevents SIM card being deactivated).

iGate-100-PLUS	Standard model
iGate-100-PLUS/3GA	PLUS model with dual 2G/3G capability (Australia & USA version)
iGate-100-PLUS/3GE	PLUS model with dual 3G/2G capability (European version)

Power	12-24v ac or dc
Current	45mA standby. 200mA when called
Weather rating	IP67
Relay load	24v ac, 2 amps max
Relay type	N/C and N/O. Latching & momentary



INNOVATIVE SECURITY TECHNOLOGY



Entrée Phone 302

Wired Intercom System



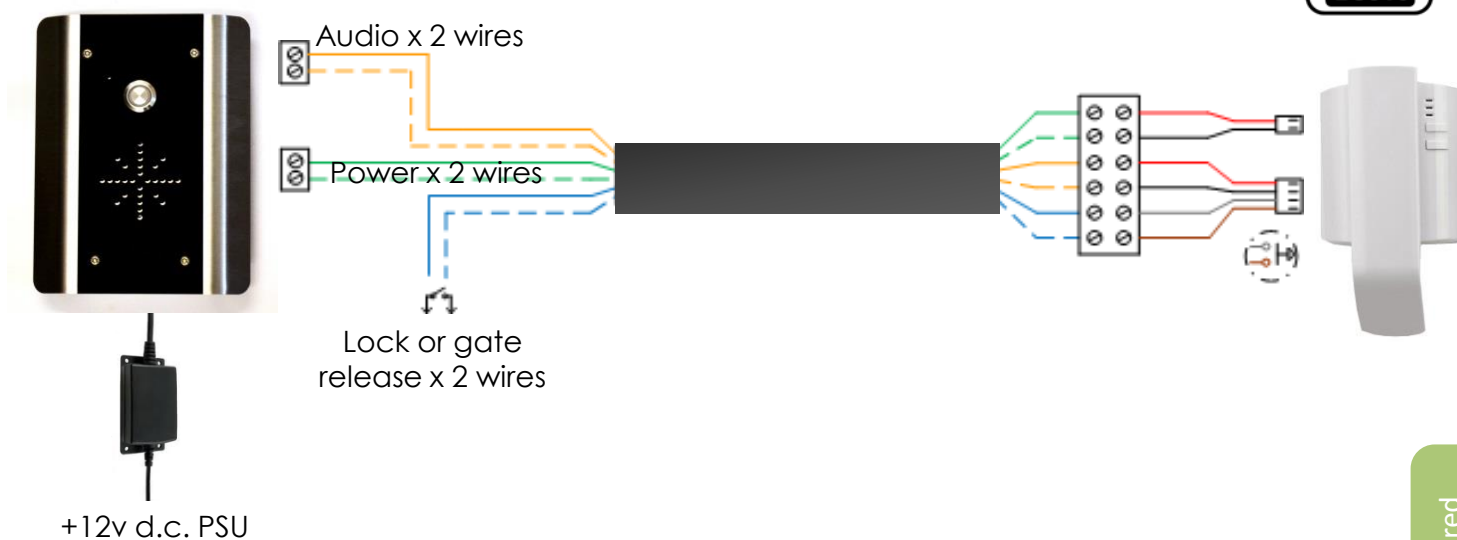
Hard Wired

Night illumination

- Wired audio intercom system.
- Simple install- 2 wires for communication, 2 for gate/door release, 2 for power.
- Up to 4 handsets per system.
- Curved profile stylish handset.
- 150m typical cabled range using twisted pair cables.
- Standard 12v dc powered system.

Entrée Phone 302

Wired Intercom System



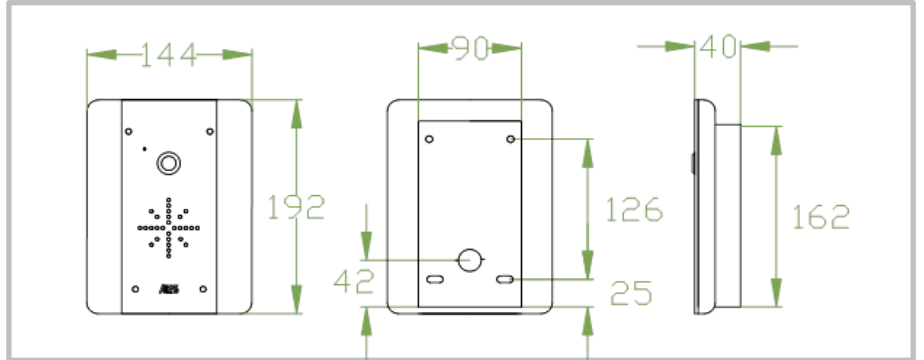
Hard Wired

Technical Details

Power	12v dc
Working distance	150m on 24AWG CAT5 cable
Weather rating	IP55
Wiring	2 x audio, 2 x power, 2 x door release
Max handsets	4
Relay type	N/O momentary 4 second pulse

Entrée Phone 302

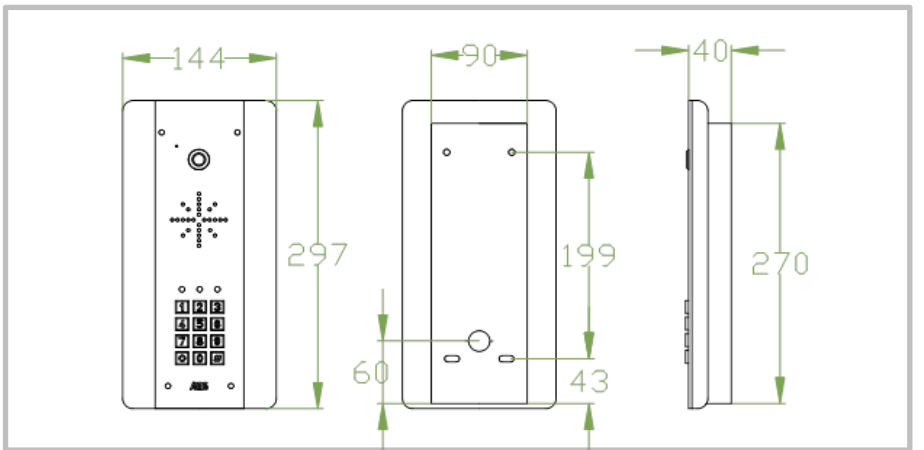
Kits & Part numbers



302-AB (Architectural Model)

- Stylish curved architectural model
- Modern blue back lighting effect.
- BS316 marine grade, brushed stainless steel construction with gloss acrylic trim.
- Kit includes speech panel, handset, power supply, manual.

Hard Wired

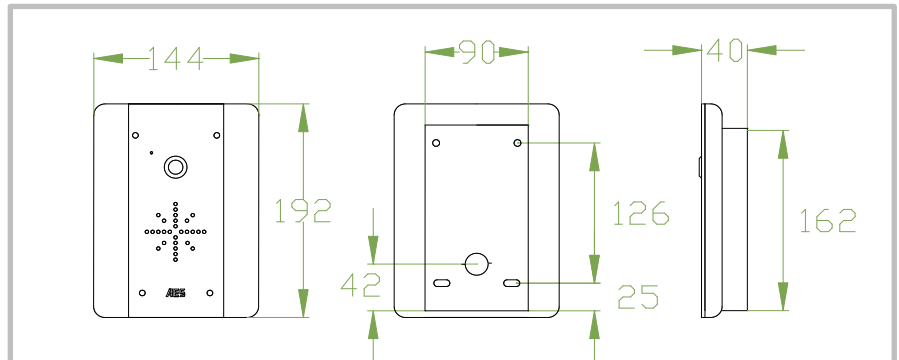


302-ABK (Architectural Keypad Model)

- Stylish curved architectural model
- Built in, illuminated code-lock keypad for access control.
- Keypad includes 3 relays, with latching and momentary operation and many more features.
- Modern blue back lighting effect.
- BS316 marine grade, brushed stainless steel construction with gloss acrylic trim.
- Kit includes speech panel, handset, power supply, manual.

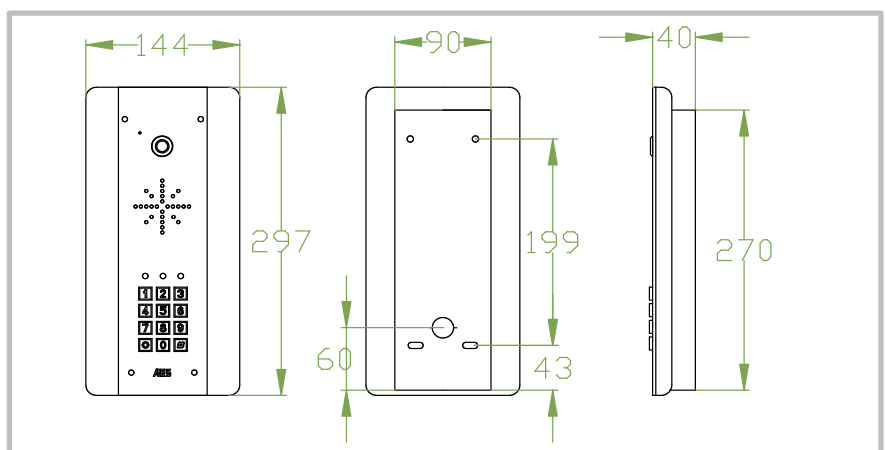
Entrée Phone 302

Kits & Part numbers



302-AS (Architectural Model)

- Stylish curved architectural model
- Contemporary cool-white back lighting.
- 100% BS316 marine grade stainless steel construction.
- Kit includes speech panel, handset, power supply, manual.



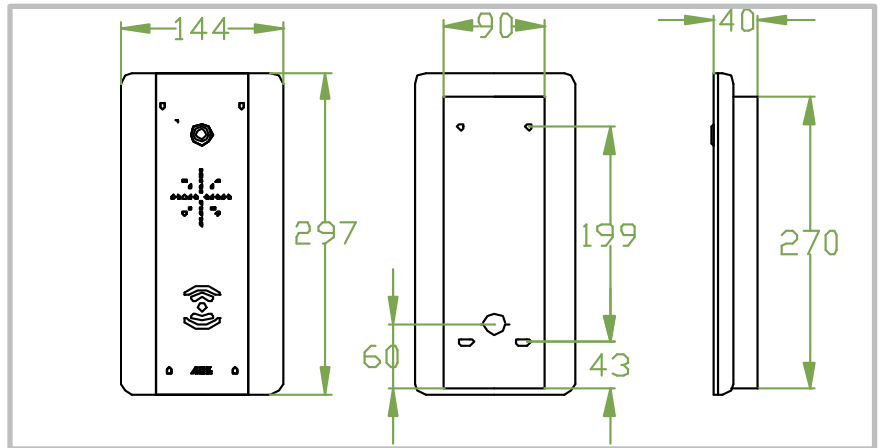
Hard Wired

302-ASK (Architectural Keypad Model)

- Stylish curved architectural model
- Built in, illuminated code-lock keypad for access control.
- Keypad includes 3 relays, with latching and momentary operation and many more features.
- Contemporary cool-white back lighting.
- 100% BS316 marine grade stainless steel construction.
- Kit includes speech panel, handset, power supply, manual.

Entrée Phone 302

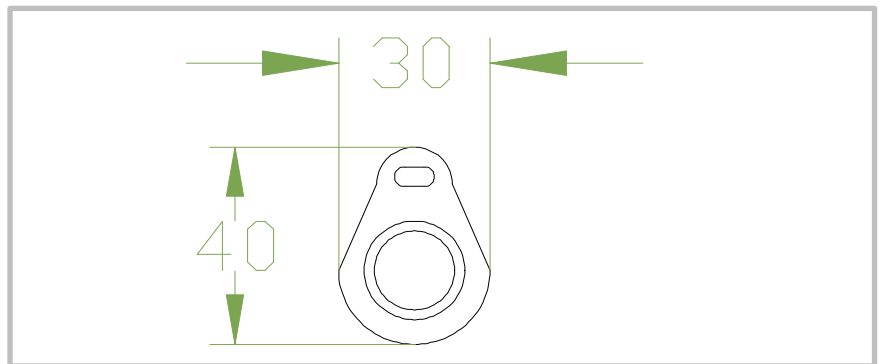
Kits & Part numbers



302-ABP (Architectural Prox Model)

- Stylish curved architectural model.
- Built in stand alone proximity reader.
- 125KHz frequency. Compatible with 4001 / 4100, EM / TEMIC / TK tags.
- Modern blue back lighting effect.
- BS316 marine grade, brushed stainless steel construction with gloss acrylic trim.
- Kit includes 3 user tags, speech panel, handset, power supply, manual.

Hard Wired

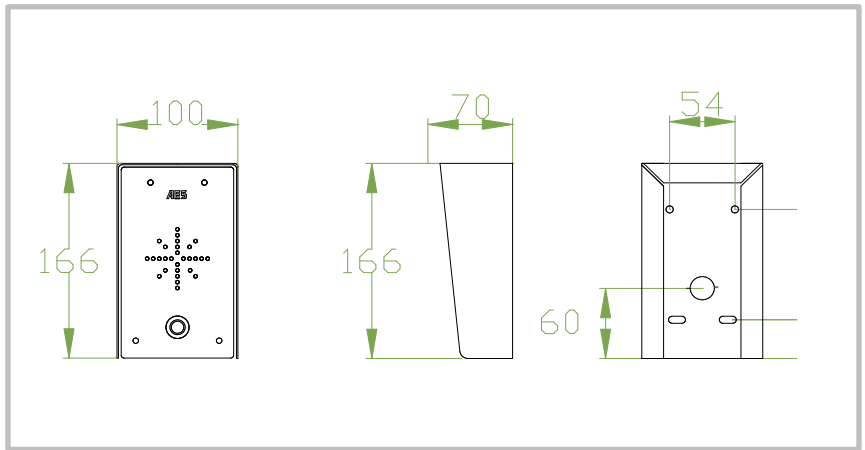


PROX1

- additional Proximity Tags.

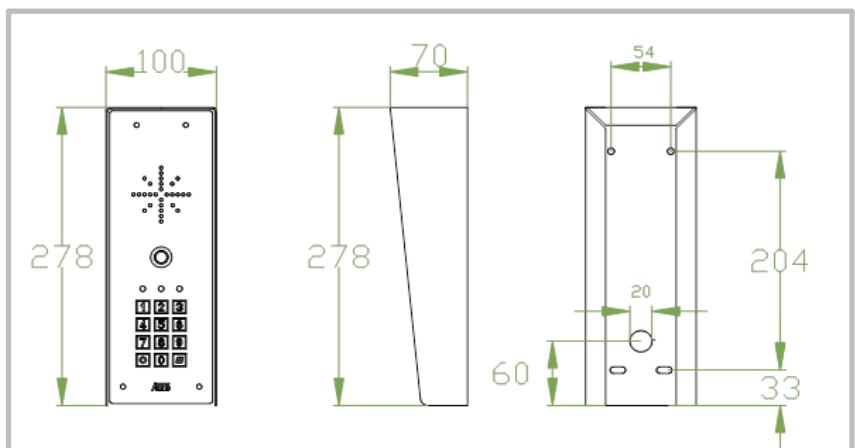
Entrée Phone 302

Kits & Part numbers



302-HB (Hooded Model)

- Hooded model, for a more traditional yet smart look.
- BS316 marine grade stainless steel construction with gloss black face trim.
- Built for tough environments.
- Illuminated push button.
- Kit includes speech panel, handset, power supply, manual.



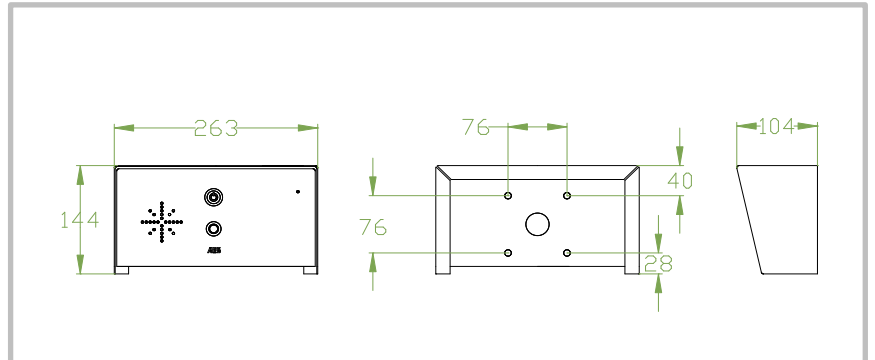
Hard Wired

302-HBK (Hooded Model With Keypad)

- Hooded with keypad for a more traditional yet smart look.
- Built in, illuminated code-lock keypad for access control.
- Keypad includes 3 relays, 1200 codes, with latching & momentary operation + more.
- BS316 marine grade, brushed stainless steel construction with gloss acrylic trim.
- Kit includes speech panel, handset, power supply, manual.

Entrée Phone 302

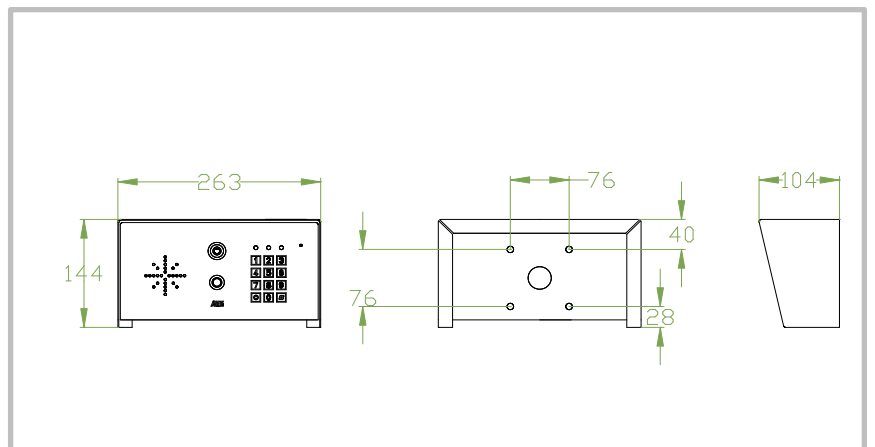
Kits & Part numbers



302-iB (Industrial Model)

- Industrial model for high volume applications on pedestals, vehicle entrances etc.
- Super loud 4 watt speaker, and sensitive microphone.
- Built for tough environments.
- Illuminated push button.
- Kit includes speech panel, handset, power supply, manual.

Hard Wired

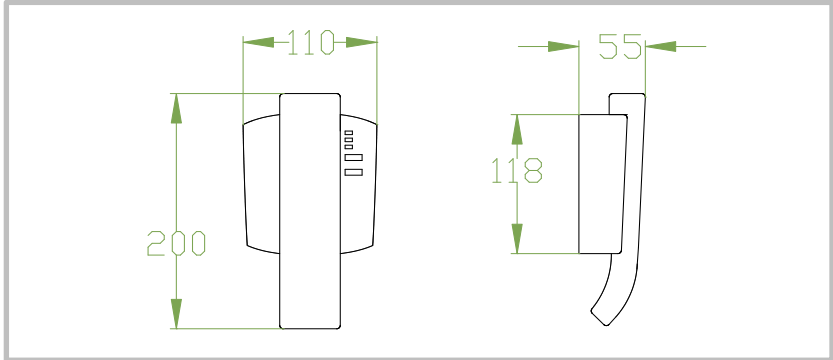


302-iBK (Industrial Model With Keypad)

- Industrial model for high volume applications on pedestals, vehicle entrances etc.
- Super loud 4 watt speaker, and sensitive microphone.
- Keypad includes 3 relays, 1200 codes, with latching & momentary operation + more.
- Brushed stainless steel construction with gloss acrylic trim.
- Kit includes speech panel, handset, power supply, manual.

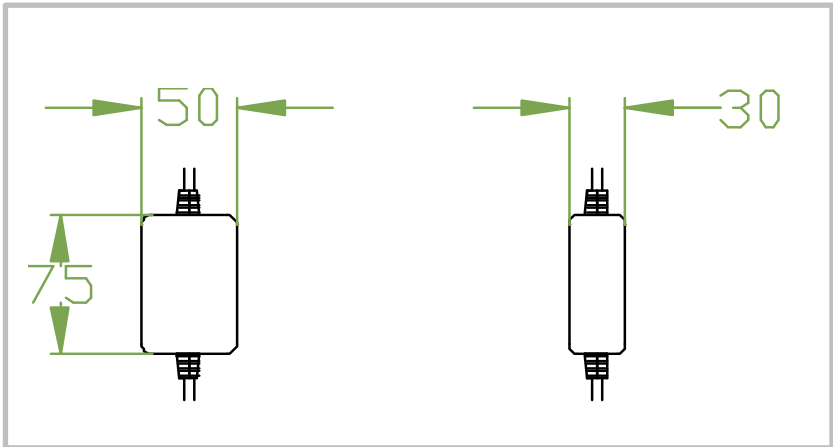
Entrée Phone 302

Kits & Part numbers



302-EH (Extra Handset)

-Add up to 3 extra handsets to any kit (total 4 per system) for larger homes or premises.



Hard Wired

PSU-12V

-Additional 12v, 1 amp power supply for longer cable runs, especially required when call point has a keypad and the original PSU is located in the house, or where there are multiple handsets.



INNOVATIVE SECURITY TECHNOLOGY

NEW
Coming Soon



VideCom

Wired Intercom System

NEW
Coming Soon



Hard Wired

- Combines access control and CCTV in one system.
- Up to 2 gates and 2 CCTV cameras connected to max 4 monitors.
- Super long range over CAT 5 (300metres)
- SD Card records stills of visitors, missed callers.
- Option to connect external camera to speech panel for certain applications.
- Easy to wire monitor with wall mounted connection panel.

NEW
Coming Soon



Hard Wired

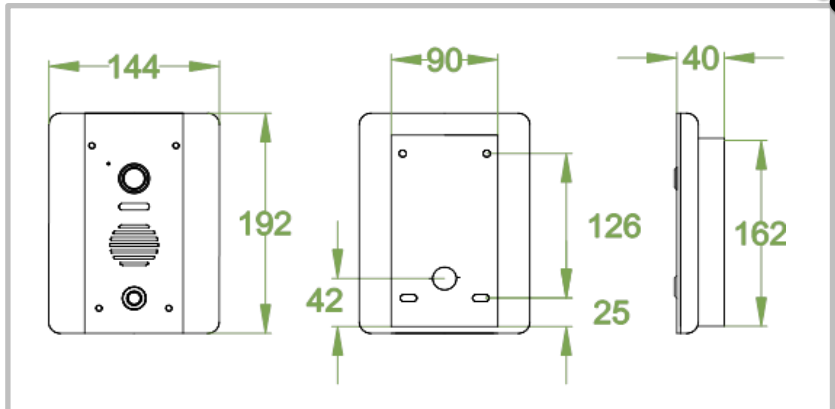
“COMBINING ACCESS CONTROL WITH HOME SURVEILLANCE”



VideCom

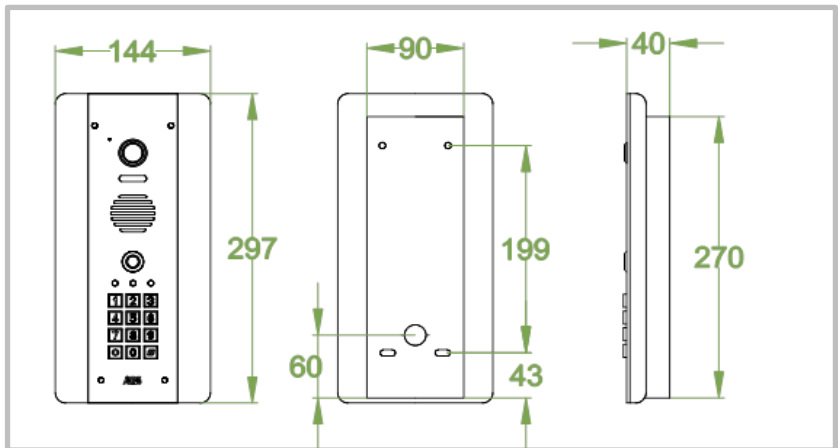
Kits & Part numbers

NEW
Coming Soon



VIDECOM-AB (Architectural Model)

- Stylish curved architectural model
- BS316 marine grade, brushed stainless steel construction with gloss acrylic trim.
- 15V power supply unit included.



VIDECOM-ABK (Architectural Keypad Model)

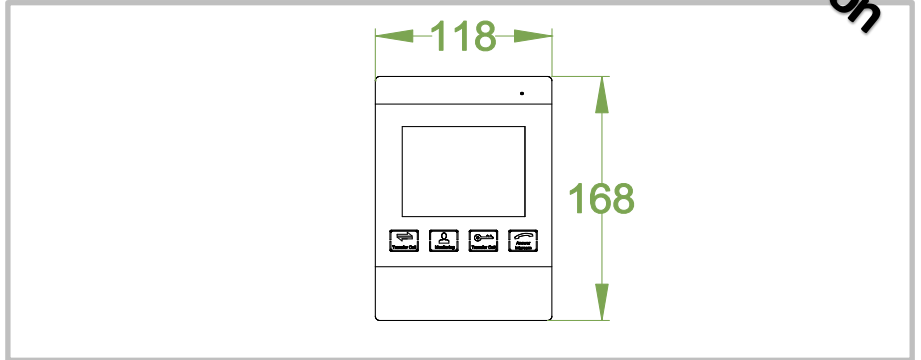
- Stylish curved architectural model
- BS316 marine grade, brushed stainless steel construction with gloss acrylic trim.
- 15V power supply unit included.

Hard Wired

VideCom

Kits & Part numbers

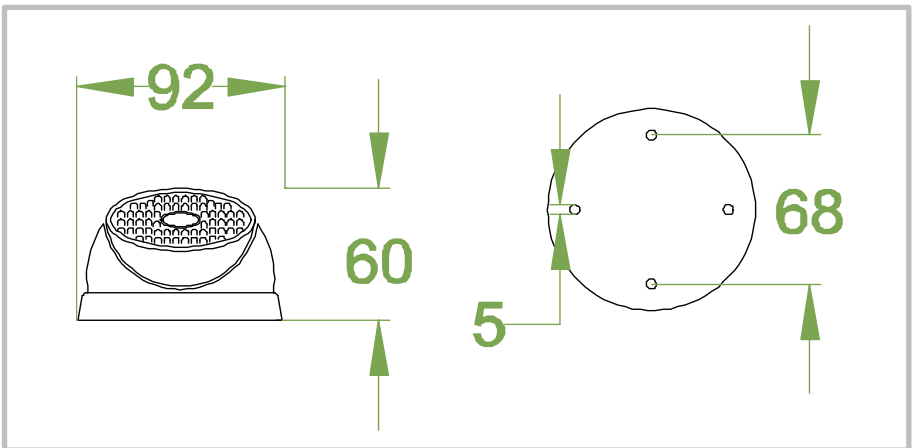
NEW
Coming Soon



VIDECOM-STYLUS-4

- Additional monitor for larger homes.
- Sleek design, featuring a brushed metal effect finish, with a gloss black screen trim.
- Wall mountable Hands free design.
- Touch sensitive buttons.
- Volume Control.
- 4 Inch screen.
- Power supply included.

Hard Wired



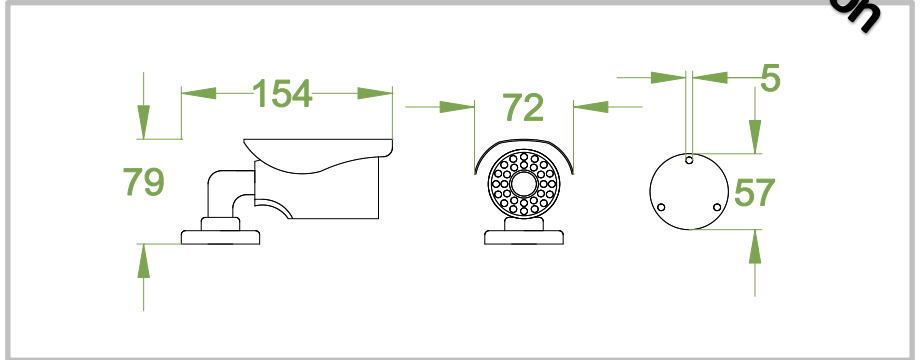
VIDECOM-DOME

- Black Dome camera.
- Day/Night Vision with a 10 metre night range.
- 700 TVL.
- 4mm fixed lens.
- Power supply not included.

VideCom

Kits & Part numbers

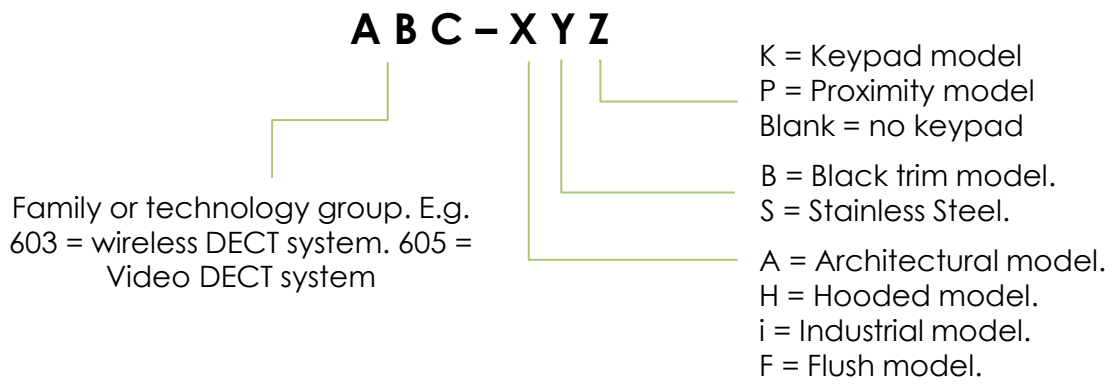
NEW
Coming Soon



VIDECOM-BULLET.

- Black Bullet camera.
- Day/Night Vision with a 10 metre night range.
- 700 TVL.
- 4mm fixed lens.
- Power supply not included.

Part Numbers Explained



Specifications, prices and details subject to change without prior notification.



Global Sales

Email: sales@aesglobalonline.com
Tel: +44(0)288 639 0 693

UK North & Midlands Sales

Email: north@aesglobalonline.com
Tel: 01493 249 676
Mobile: 07714 254 255

UK South & London Sales

Email: south@aesglobalonline.com
Tel: 0144 292 7788
Mobile: 07714 254 256

Head Office

Unit 4C
Kilcronagh Business Park
Cookstown
County Tyrone
BT 80 9HJ
Northern Ireland
United Kingdom

VAT Reg: 971238609
Company Reg: NI072570



Global Distributors

