

Electromagnetic Lock Series

EXML600-GATE & EXML1200-GATE Series (Monitored)



EXML600-GATE



EXML1200-GATE

External Monitored Magnetic Lock Wiring Instructions

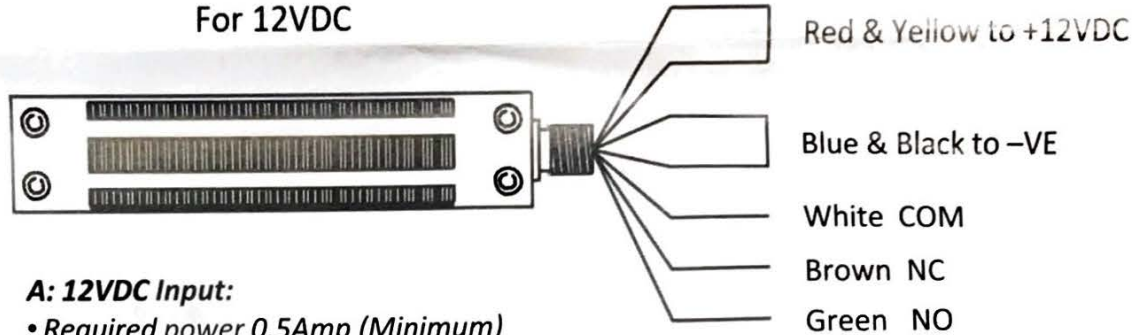
Power Input
12VDC or 24VDC input

Lock Status Sensor

- 1: Normally open switch: NO & C
- 2: Normally closed switch: NC & C

12V Wiring Diagram

For 12VDC

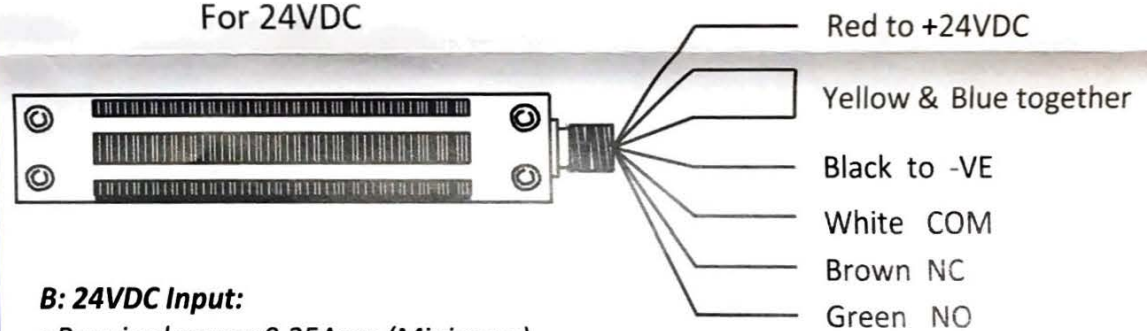


A: 12VDC Input:

- Required power 0.5Amp (Minimum)
- Connect the positive (+) lead from a 12VDC power source to +
- Connect the ground (-) lead from a 12VDC power source to -

24V Wiring Diagram

For 24VDC



B: 24VDC Input:

- Required power 0.25Amp (Minimum)
- Connect the positive (+) lead from a 24VDC power source to +
- Connect the ground (-) lead from a 24VDC power source to -

C: Contacts:

- Relay voltage free contacts are rated 1A at 24VDC for safe operation, do not exceed this
- If you require a normally open switch, connect the wires from the system to COM and NO
- If you require a normally closed switch, connect the wires from the system to COM and NC

IMPORTANT REMINDERS

A. Handle the equipment with care, damaging the surface of the magnet or armature plate may reduce locking efficiency.

B. The magnet is mounted rigidly to the frame, whereas the armature plate must be mounted to the gate using the items provided to allow it to pivot about its centre. This allows it to compensate for wear and misalignment.

Wiring the Back-EMF Protection Diode

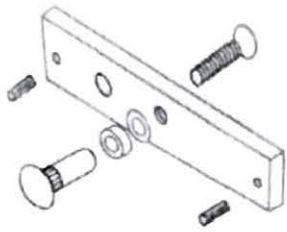


- Connect the back-EMF Diode in reverse polarity with respect to the magnetic lock polarity.
- The end with the Silver (Grey) Ring connects the (+)ve of the magnetic lock.

Please read before attempting to install Magnetic Lock

MOUNTING INSTRUCTIONS

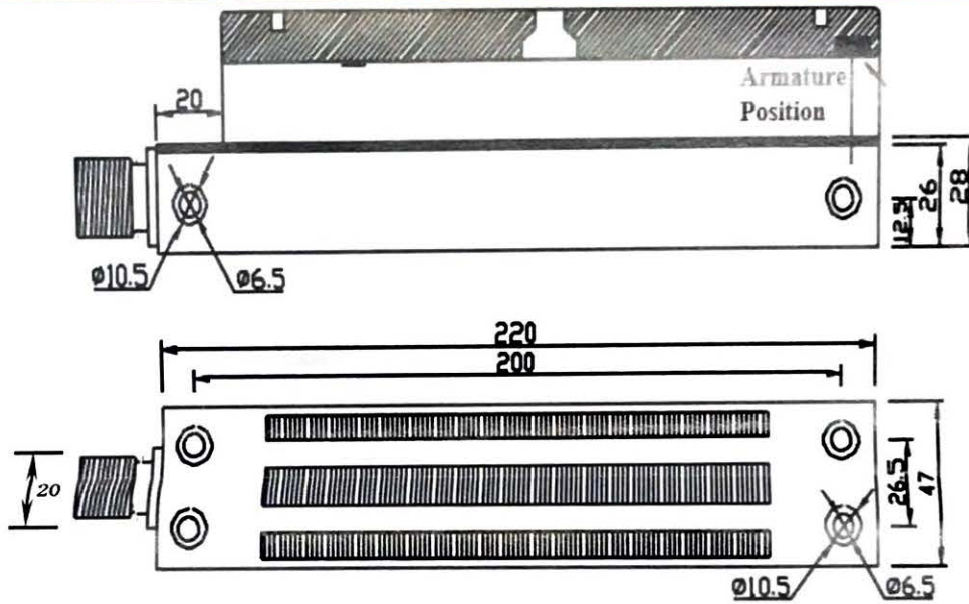
Mount the armature plate on the door/gate using the rubber washer. The rubber washer and steel washer are installed between the armature plate and door, using the sex-nut bolt.



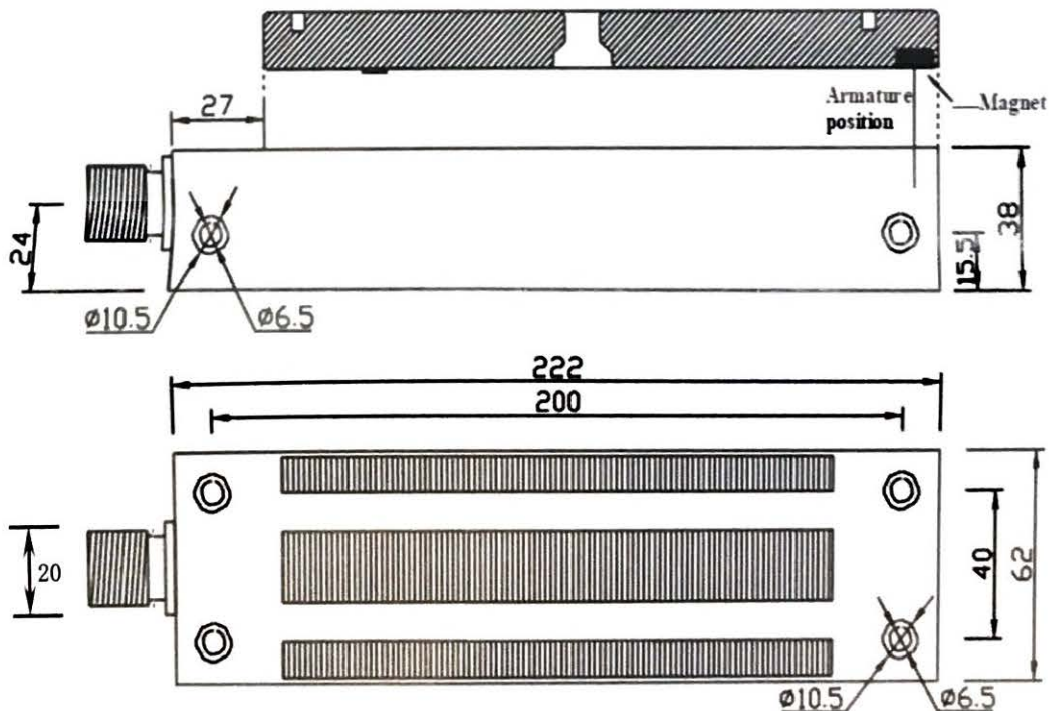
Typical Installation

****IMPORTANT**:** Do not install the armature plate too tightly, which ensures the washer remains flexible – in order for the armature plate to properly mate with the magnet.

EXML600-GATE Dimensions



EXML1200-GATE Dimensions



Bag Contents:

- 4 x Bolts
- 4 x Split Lock washer
- 4 x Locations Pins
- 1 x Rubber washer
- 1 x 25mm washer
- 2 x 20mm washer
- 1 x Sex Nut Bolt
- 1 x Barrel Nut
- 1 x Diode
- 1 x Allen Key