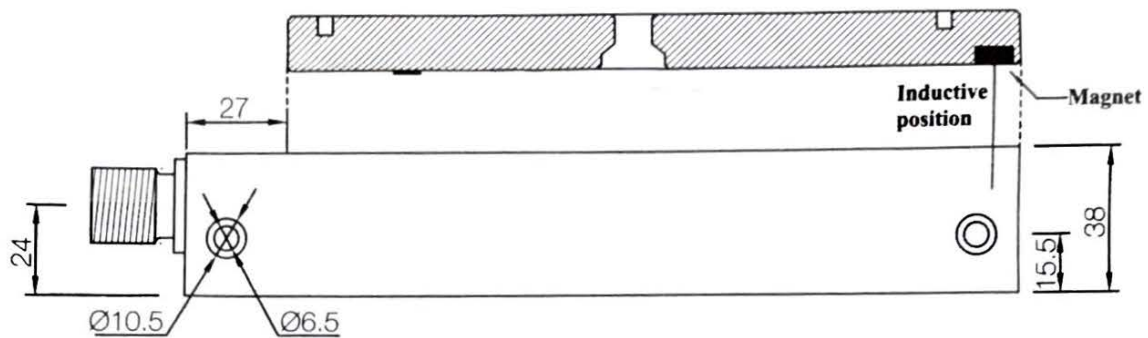
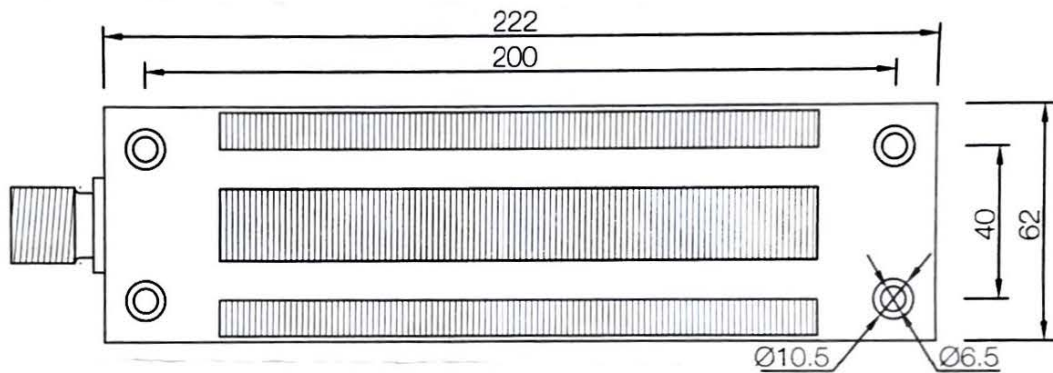


User's manual of 500 Waterproof magnetic lock

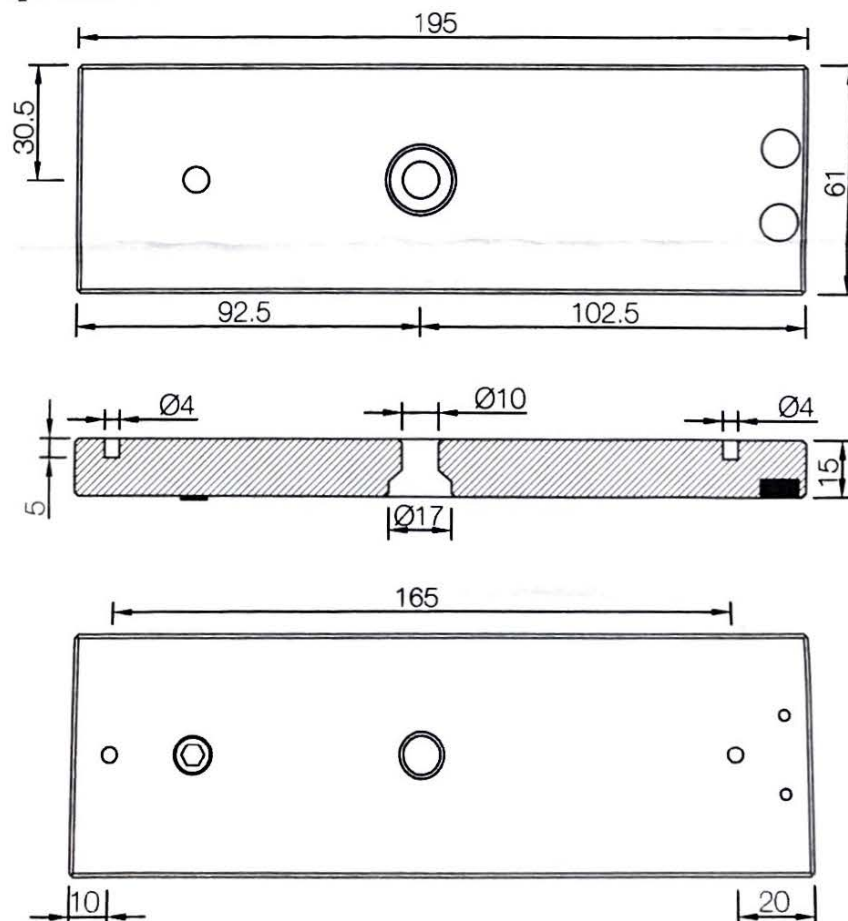
The magnetic reaction installation sketch of the magnetic lock



Magnetic lock dimension drawing



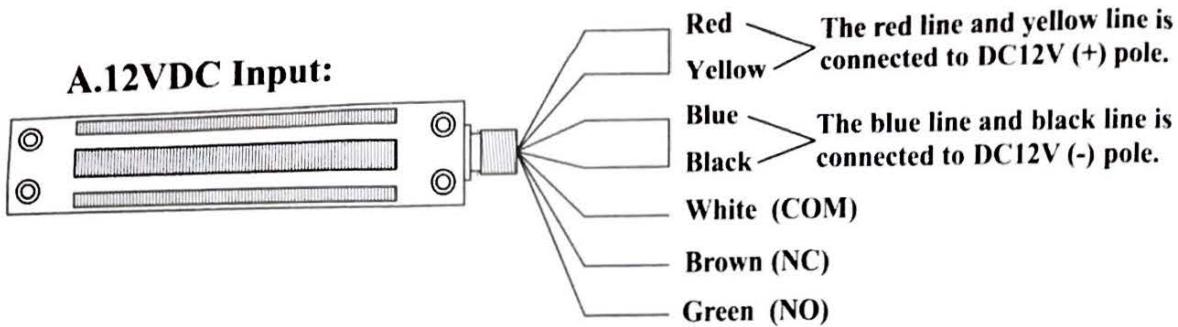
Adsorption board size chart



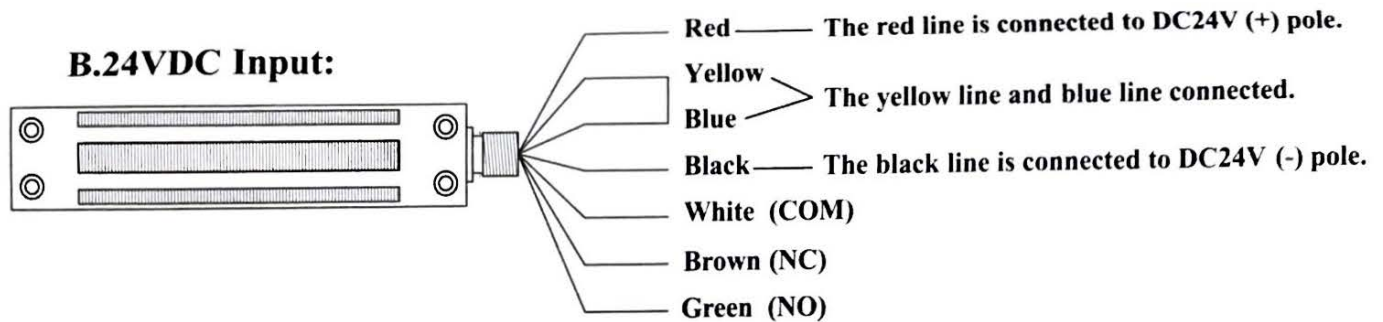
User's manual of 500 Waterproof magnetic lock

Operating Voltage :	DC12V	DC24V
Operating Current :	500mA	250mA

A. 12VDC Input:

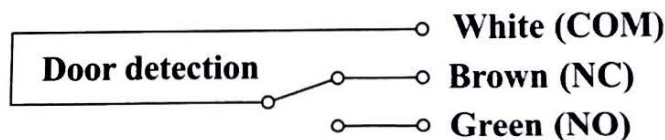


B. 24VDC Input:

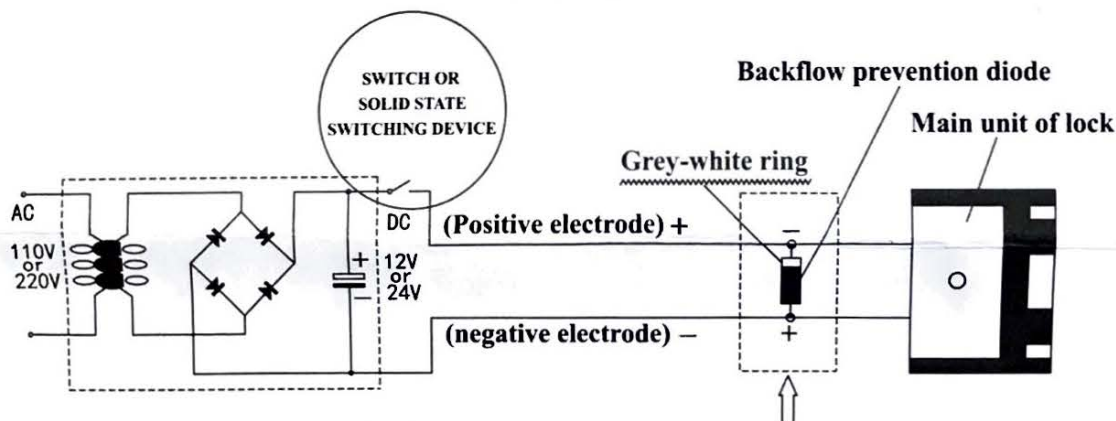


C. Door detection:

1. If you require a normally open switch, connect the wires from the system to green line and White line.
2. If you require a normally closed switch, connect the wires from the system to brown line and White line.



D. Connection method of backflow prevention diode:



Connection method of backflow prevention diode:

- A. Connect the negative electrode of diode with the positive electrode of lock body.
- B. Connect the positive electrode of diode with the negative electrode of lock body.