



ES110 Series Electric Strike

General Description

The ES110 is a cost efficient robust electric strike with a solid construction of one-piece cast aluminium body and stainless steel striker. Having a deeper than normal strike-keeper area, ES110 is designed to work with an extensive range of locks and offers the same level of security and reliability usually provided by more expensive electric locking solutions.

Extension lips are available to accommodate the installation of electric strikes on door frames with different thickness. The ES110 product range of patented electric strikes are suitable for use with all access control installations where flexibility, security and lower cost are required.

Key Features



- Fail safe/fail secure changeable on site
- Stainless steel striker for extra strength and durability
- Stainless steel locking pins
- Available in 12 or 24Vdc
- Optional mounting kit
- Installation template
- IP56 weather resistant model as standard
- Suitable For 18mm latch with a 3mm door gap
- **TRICARE** 5 Year Warranty

Applications

- Exposed areas
- High traffic areas
- Open in/open out doors
- Suitable for use with all access control systems

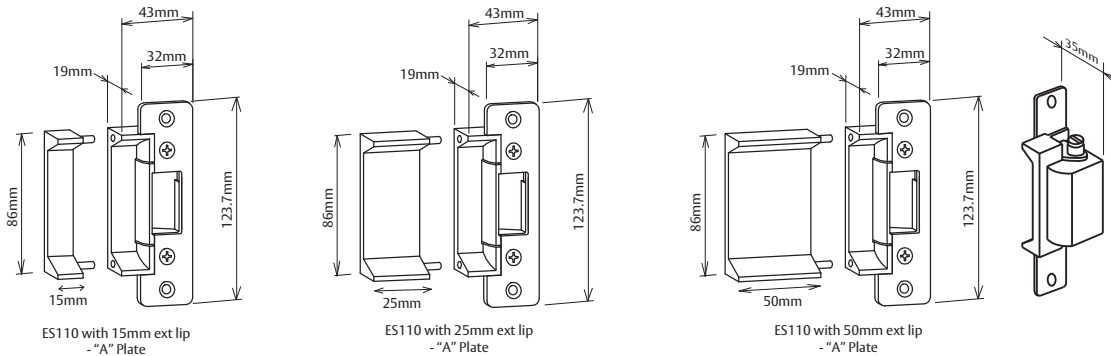


Standards and Compliance

-  Approved to UL1034 (highest level)
-  CE Approved



ES110 Series Electric Strike



ES110 Technical Information

Voltage	12 or 24Vdc
Current	243 mA @ 12Vdc – 187mA @ 24Vdc
Solenoid	Solenoids are rated for continuous use.
Monitoring	None
Holding Force	680 kg Static Strength Rating
Endurance	Cycle tested to 1,000,000 operations
Environment	Operational temperature range -20°C to + 60°C Weather resistant construction available. (IP56)
Body	Cast Aluminium Construction
Keeper	Stainless Steel
Latch	Suit 15mm latch with 3mm door gap

Specification Statement

Where Power to Lock and Power to Open functions may be required in the same building, the strike must be interchangeable from either "Power to Lock" or "Power to Open" on site.

The electric strike should not consume current greater than 243mA @ 12Vdc or 187mA @ 24Vdc and have a solenoid suitable for continuous use. Certifications must include CE.

The strike should have a minimum holding force of 680kg, and an endurance rating of 1 million cycles.

Ordering Information

SKU	Short Code	Description
110111-060	TRIMEC ES111-WR-TABS	12V PTL WR SS f/plate
110111-150	TRIMEC ES111-00-WR-THAS	12V PTL WR SS f/plate ANSI Adams Rite no lip
110111-160	TRIMEC ES111-WR-THAS	12V PTL WR SS f/plate ANSI Adams Rite
110111-190	TRIMEC ES111-00-WR-TABS	12V PTL WR SS f/plate no lip
110112-060	TRIMEC ES112-WR-TABS	12V PTO WR SS f/plate
110112-140	TRIMEC ES112-WR-THAS	12V PTO WR SS f/plate ANSI Adams Rite
110113-060	TRIMEC ES113-WR-TABS	24V PTO WR SS f/plate
110113-140	TRIMEC ES113-WR-THAS	24V PTO WR SS f/plate
110114-060	TRIMEC ES114-WR-TABS	24V PTO WR SS f/plate
220200-518	TRIMEC Mounting Kit - ES100/110	Mounting tab kit for ES100/110
Extension Lips		
220110-502	TRIMEC ES110 15MM Extension lip	
220110-503	TRIMEC ES110 25MM Extension lip	
220110-504	TRIMEC ES110 50MM Extension lip	
Faceplates		
210100-523	TRIMEC PL-ES1-TJAA	ES110 Long rebated faceplate aluminium
210100-527	TRIMEC PL-ES1-TGAS	ES110 UK sash DIN RH (LH) SS
210100-528	TRIMEC PL-ES1-TFAS	ES110 UK sash DIN LH (RH) SS
210100-530	TRIMEC PL-ES1-TBBS	ES110 ANSI long SS
219100-532	TRIMEC ES100 UK Sash SS Small Right	ES110 Small sash DIN RH (LH) SS
219100-534	TRIMEC ES100 UK Sash SS Small Left	ES110 Small sash DIN LH (RH) SS
219100-538	TRIMEC PL-ES1-TDAS RH	ES110 Euro sash DIN LH (RH) SS
219100-539	TRIMEC PL-ES1-TEAS LH	ES110 Euro sash DIN RH (LH) SS