

# ENTRY LOOP INDUCTION COIL FOR DOOR PANELS



## PART NUMBERS

- Art.4846/IND – 4000 Series module  
 VR/IND – Additional of induction coil to a vandal resistant door panel

## MANUAL INTRODUCTION

The information in this manual is intended as an installation and commissioning guide for the Entry Loop induction coil module. This manual should be read carefully before the installation commences. Any damage caused to the equipment due to faulty installations where the information in this manual has not been followed is not the responsibility of Videx Security Ltd.

VIDEX run free training courses for engineers who are not familiar with the Videx product range. Technical help is also available on 0191 224 3174 during office hours or via e-mail [tech@videx-security.com](mailto:tech@videx-security.com).

## ENTRY LOOP INTRODUCTION

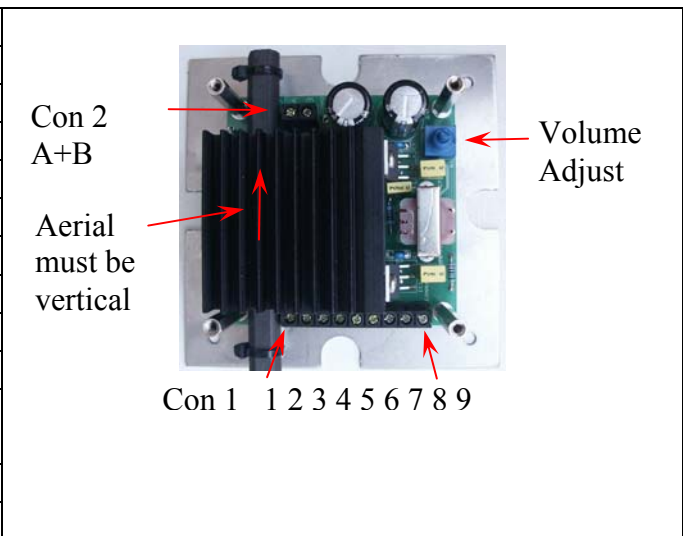
A retrofit induction loop designed for use with the 4000 Series modular door entry systems and vandal resistant door panels, with a nominal working distance of 0.5 metres.

The unit connects to the Videx door amplifier in one of two ways. Either, connected in series with speech line terminal 1 of the door amplifier or connected directly across the door panel speaker (Parallel connection).

The unit can be powered from 12/24V AC or DC and has a quiescent current draw of approx. 50mA. A volume adjustment can be made using the on-board POT and the unit also incorporates an internal 100mm aerial rod eliminating the need for an external loop aerial.

## CONNECTIONS

Con1-1 +12/24vDC
Con1-2 12/24vAC
Con1-3 12/24vAC
Con1-4 0V (12/24vDC)
Con1-5 0v Reference (Earth if required)
Con1-6 Spare
Con1-7 Current Signal I/P/Voltage Signal I/P
Con1-8 Current Signal I/P
Con1-9 Voltage Signal I/P
Con2-A Ext Aerial Feed * Special Order Item E95
Con2-B Ext Aerial Feed *
*Disconnect Internal Aerial

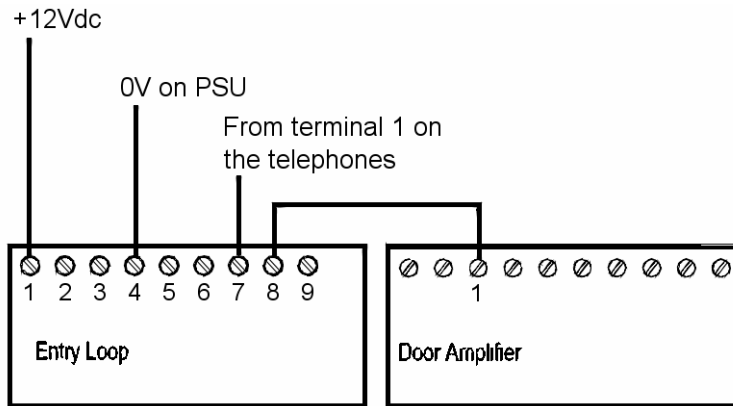


# ENTRY LOOP INDUCTION COIL FOR DOOR PANELS

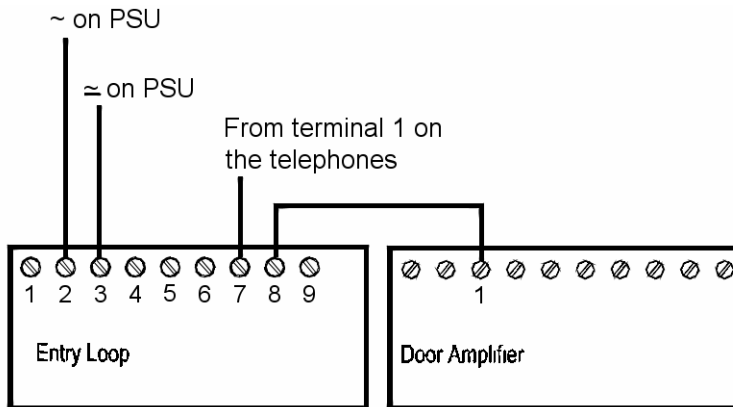


## WIRING DIRECTIONS

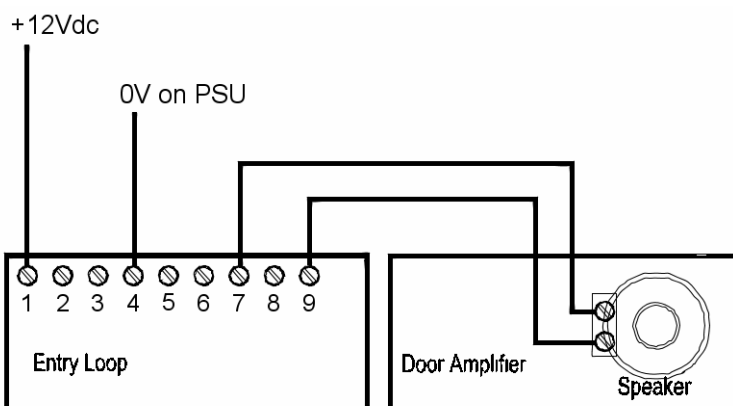
### FOR USE WITH THE 4837, 4838, 4832, 437 AND 537 AMPLIFIERS



### FOR USE WITH 4836 AND 536 AMPLIFIERS



### FOR 2202, 2203 AND 4833 AMPLIFIERS



## TESTING AND ADJUSTMENTS

Either an induction loop tester or a person with a hearing aid (Set to position T) will be required to test the unit. Place a call to an apartment and open the speech path. While someone is talking into the telephone, adjust the volume control on the Entry Loop to obtain the best results.