

EN

TECHNICAL
MANUAL



AUDIO/VIDEO KIT

Audio/Video kit system

 **Comelit**[®]
Passion. Technology. Design.

Warning

Intended use

This Comelit product was designed for use in the creation of audio and video communication systems in residential, commercial or industrial settings and in public buildings or buildings used by the public.

Installation

All activities connected to the installation of Comelit products must be carried out by qualified technical personnel, with careful observation of the indications provided in the Manuals / Instruction sheets supplied with those products.

Wires

Cut off the power supply before carrying out any maintenance procedures.

Use wires with a cross-section suited to the distances involved, observing the instructions provided in the system manual.

We advise against running the system wires through the same duct as the power cables (230V or higher).

Safe usage

To ensure Comelit products are used safely:

- carefully observe the indications provided in the Manuals / Instruction sheets
- make sure the system created using Comelit products has not been tampered with / damaged.

Maintenance

Comelit products do not require maintenance aside from routine cleaning, which should be carried out in accordance with the indications provided in the Manuals / Instruction sheets.

Any repair work must be carried out

- for the products themselves, exclusively by **Comelit Group S.p.A.**,
- for systems, by qualified technical personnel.

Disclaimer

Comelit Group S.p.A. does not assume any responsibility for

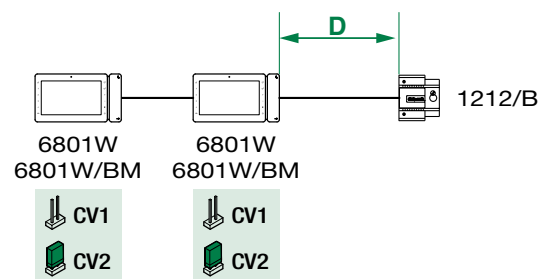
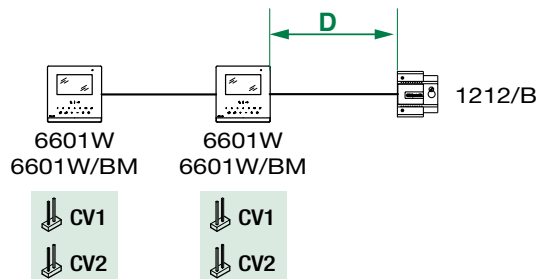
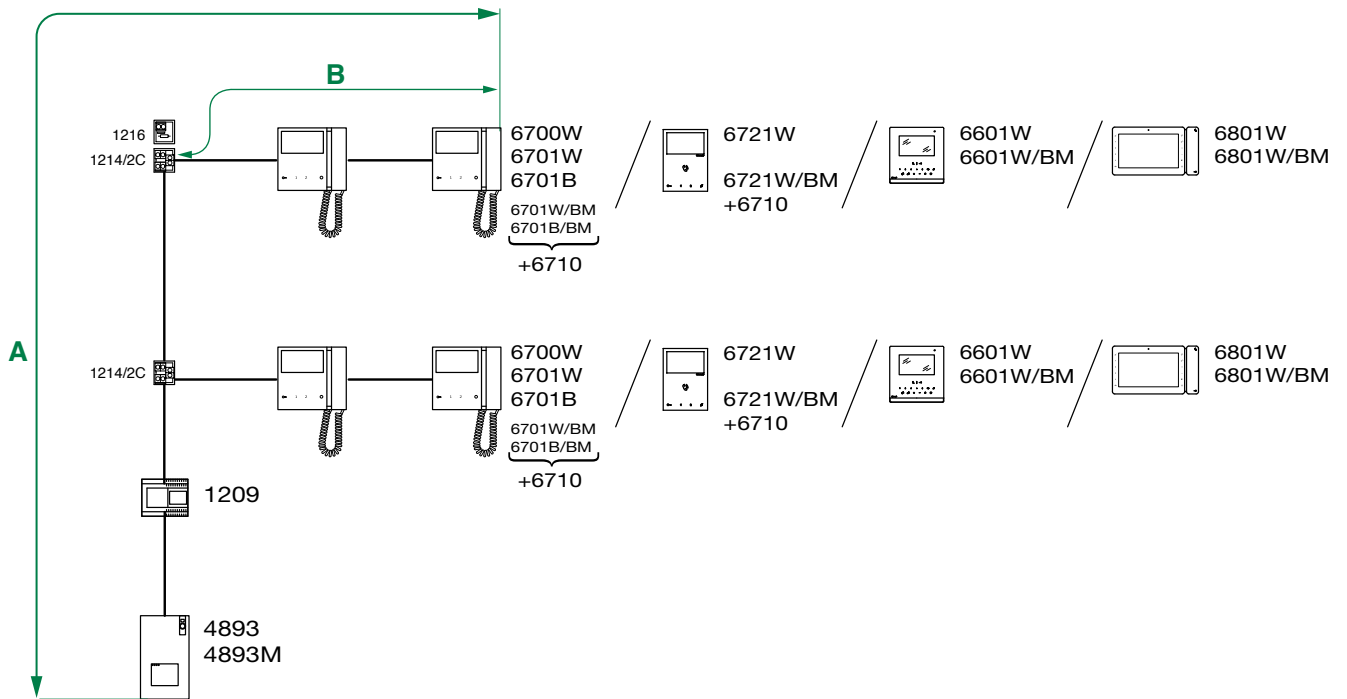
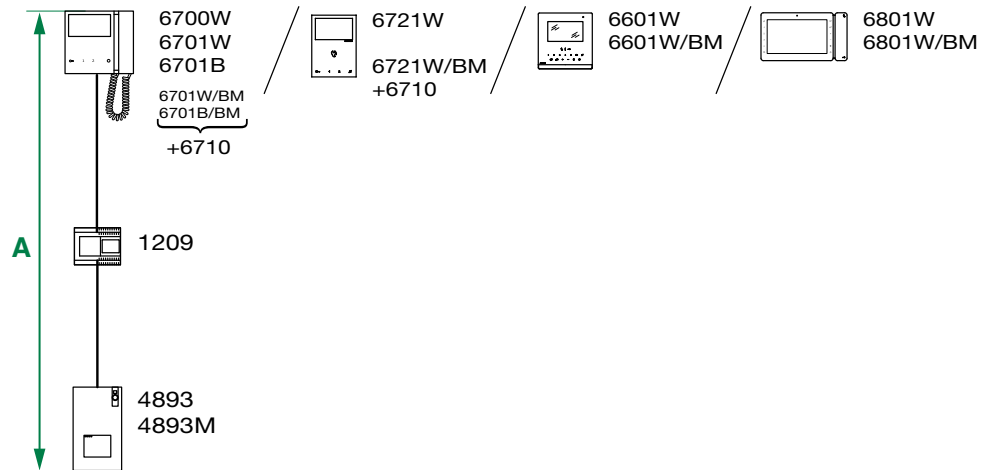
- any usage other than the intended use
- non-observance of the indications and warnings contained in this Manual / Instruction sheet.

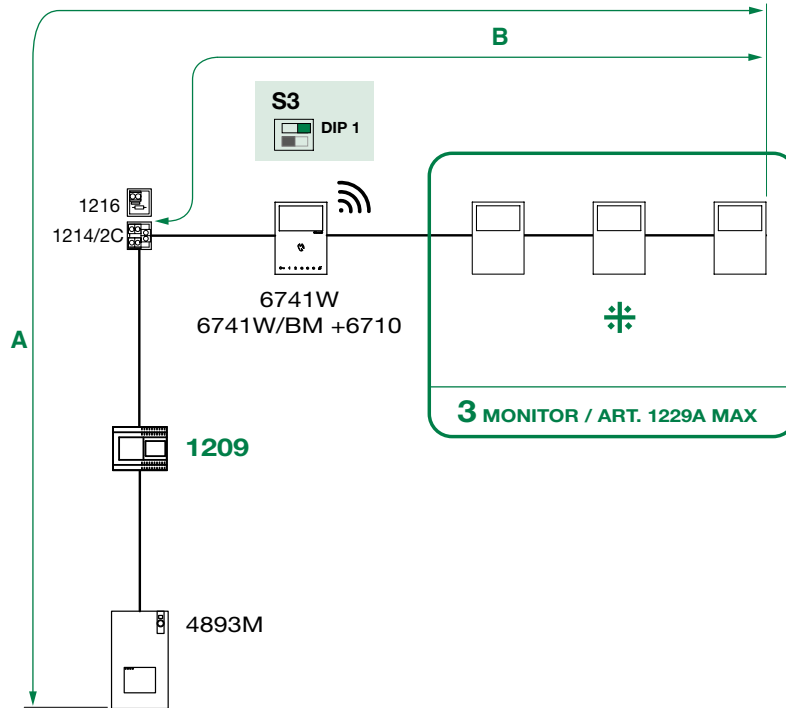
Comelit Group S.p.A. nonetheless reserves the right to change the information provided in this Manual / Instruction sheet at any time and without prior notice.

Table of contents

Warning	2
System functions	3
Operating distances	4
Maximum system expansion.....	5
Maximum expansion per apartment	5
Example of maximum expansion per apartment	6
Wiring diagrams	7
Single-family video entry phone system	7
Two-family video entry phone system	9
Four-family video entry phone system	10
Single-family video entry phone system with second external unit ..	11
Single-family video entry phone system with three external units....	12
Video entry phone system with two single-family units and main external unit	13
Variants: additional 2 secondary monitors in cascade connection ..	14
Connection of main monitor with local power supply	15
Variants: addition of branched secondary monitor	16
Use of actuator relay Art. 1256	17
Use of remote camera module Art. 1409	18
Use of additional bell Art.1229A.....	19







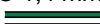
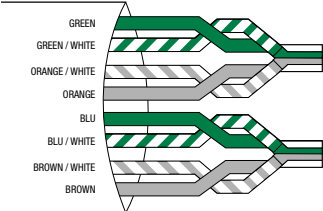
System functions





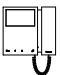
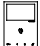

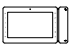

Compatible secondary monitors: 6700W, 6701W (/BM), 6701B (/BM), 6721W (/BM), 6801W (/BM)

Operating distances

	A MAX	B MAX	D MAX
Comelit Art. 4577/4579 1 mm ² (Ø 1,2 mm AWG 17) 	200 m (655 feet)	100 m (330 feet)	100 m (328 feet)
UTP5 cat. 5 0,2 mm ² (Ø 0,5 mm AWG 24) 	100 m (330 feet)	60 m (195 feet)	
0,28 mm ² (Ø 0,6 mm AWG 23) 	100 m (330 feet)	60 m (195 feet)	10 m (32,5 feet)
0,5 mm ² (Ø 0,8 mm AWG 20) 	100 m (330 feet)	60 m (195 feet)	25 m (82 feet)
1 mm ² (Ø 1,2 mm AWG 17) 	100 m (330 feet)	60 m (195 feet)	50 m (164 feet)
1 mm ² (Ø 1,2 mm AWG 17) 	80 m (260 feet)	40 m (130 feet)	
1,5 mm ² (Ø 1,4 mm AWG 15) 	100 m (330 feet)	60 m (195 feet)	100 m (328 feet)
*UTP5 cat. 5 0,2 mm ² (Ø 0,5 mm AWG 24) MULTI PAIR CABLE # 	200 m (656 feet)	70 m (230 feet)	

UTP cable with multi-cable connection: FOLLOW THE COLOURS SHOWN IN THE DIAGRAM!

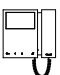



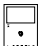
Maximum system expansion

Devices	 6700W 6701W(/BM) 6701B(/BM)	 6721W(/BM)	 6601W(/BM)	 6801W(/BM)	 6741W
Maximum number of internal units that can be powered from Art. 1209	16	16	16	16	4*
Call repetition devices that can be used	1229A	1229A	1229A 1229#	1229A 1229#	1229A

* For further information, see the manual of Art. 6741W

For installation information and limits, consult the relative manual.

Maximum expansion per apartment

Devices	 6700W 6701W(/BM) 6701B(/BM)	 6721W(/BM)	 6601W(/BM)	 6801W(/BM)	 6741W
Maximum number of internal units (including call repetition devices) with the same user code	4	4	4	4	1*
Maximum number of main internal units powered from the riser	1	1	1	1	1
Maximum number of main units that can be powered by Art. 1212/B	/	/	3	3	/

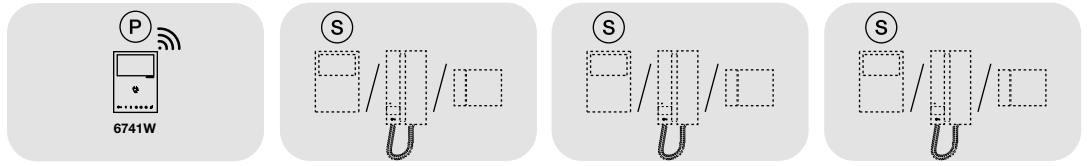
* A single 6741W(/BM) monitor can be installed for each user code; this will also be the only main monitor.
Up to 3 secondary monitors can be added (6700W, 6701W (/BM), 6701B (/BM), 6721W (/BM), 6801W (/BM)).

Example of maximum expansion per apartment

APARTMENT: max 4 internal units including 1 main internal unit

Art. 6741W

1214/2C

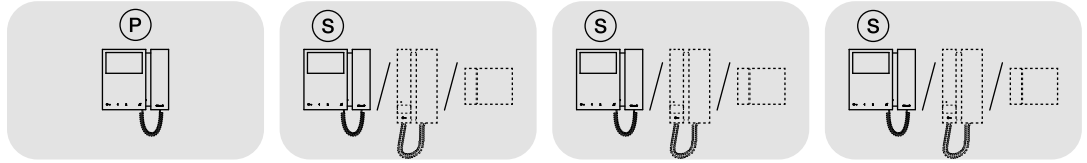


A single 6741W (/BM) monitor can be installed for each user code; this will also be the only main monitor.

APARTMENT: max 4 internal units including 1 main internal unit

Art. 6700W 6701W 6701B

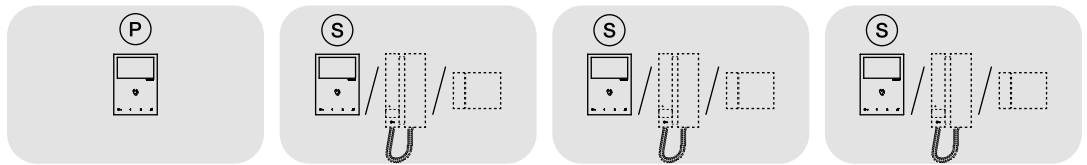
1214/2C



APARTMENT: max 4 internal units including 1 main internal unit

Art. 6721W

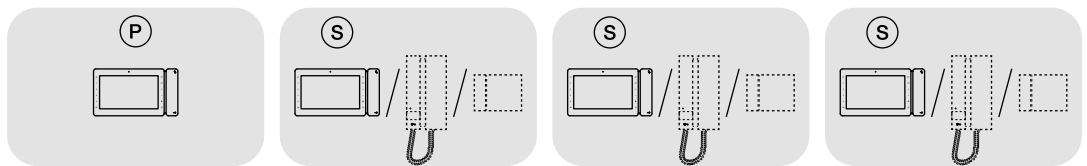
1214/2C



APARTMENT: max 4 internal units including 1 main internal unit

Art. 6801W

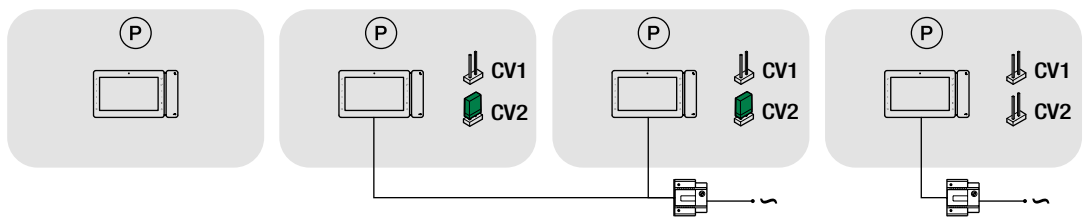
1214/2C



APARTMENT: max 4 internal units including 1 main internal unit + 3 main internal units powered separately

Art. 6801W

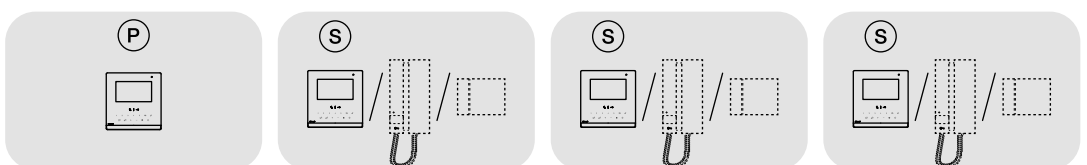
1214/2C



APARTMENT: max 4 internal units including 1 main internal unit

Art. 6601W

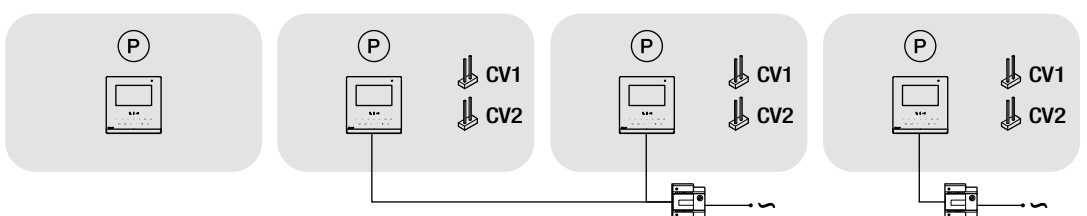
1214/2C



APARTMENT: max 4 internal units including 1 main internal unit + 3 main internal units powered separately

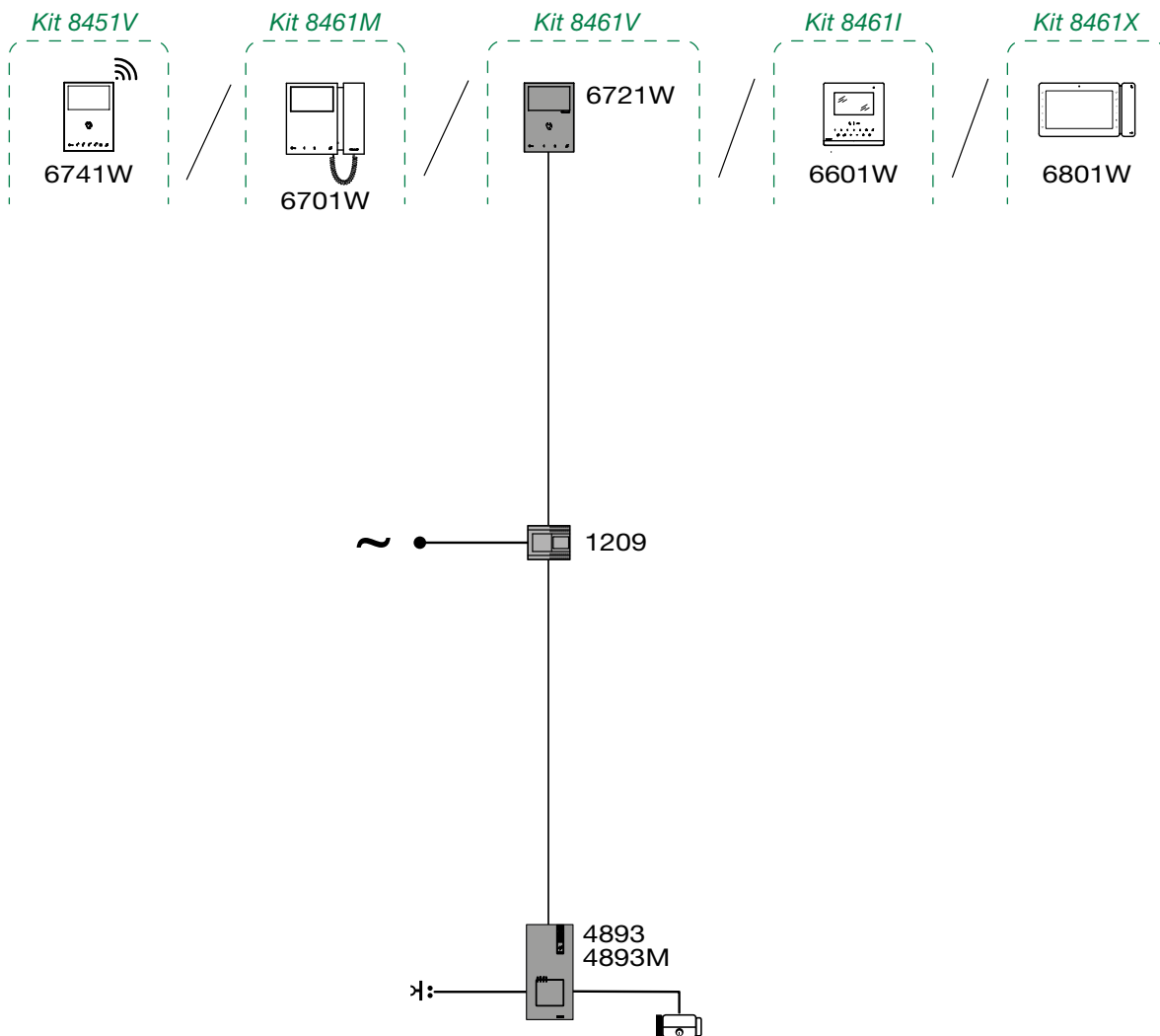
Art. 6601W

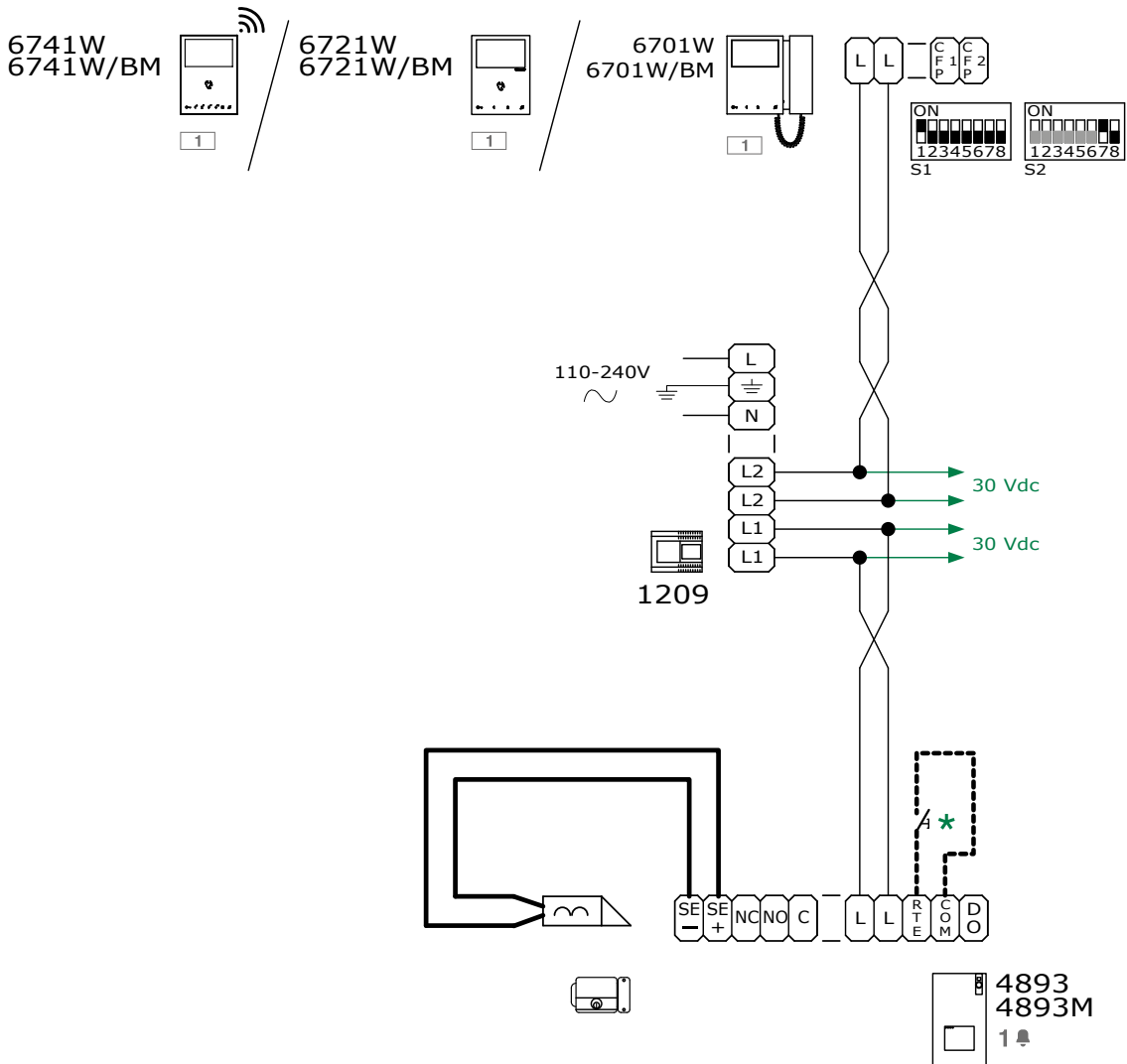
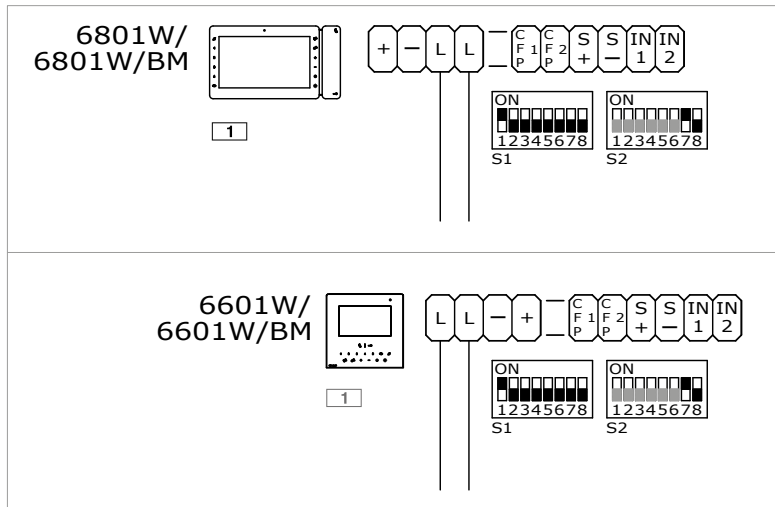
1214/2C



Wiring diagrams

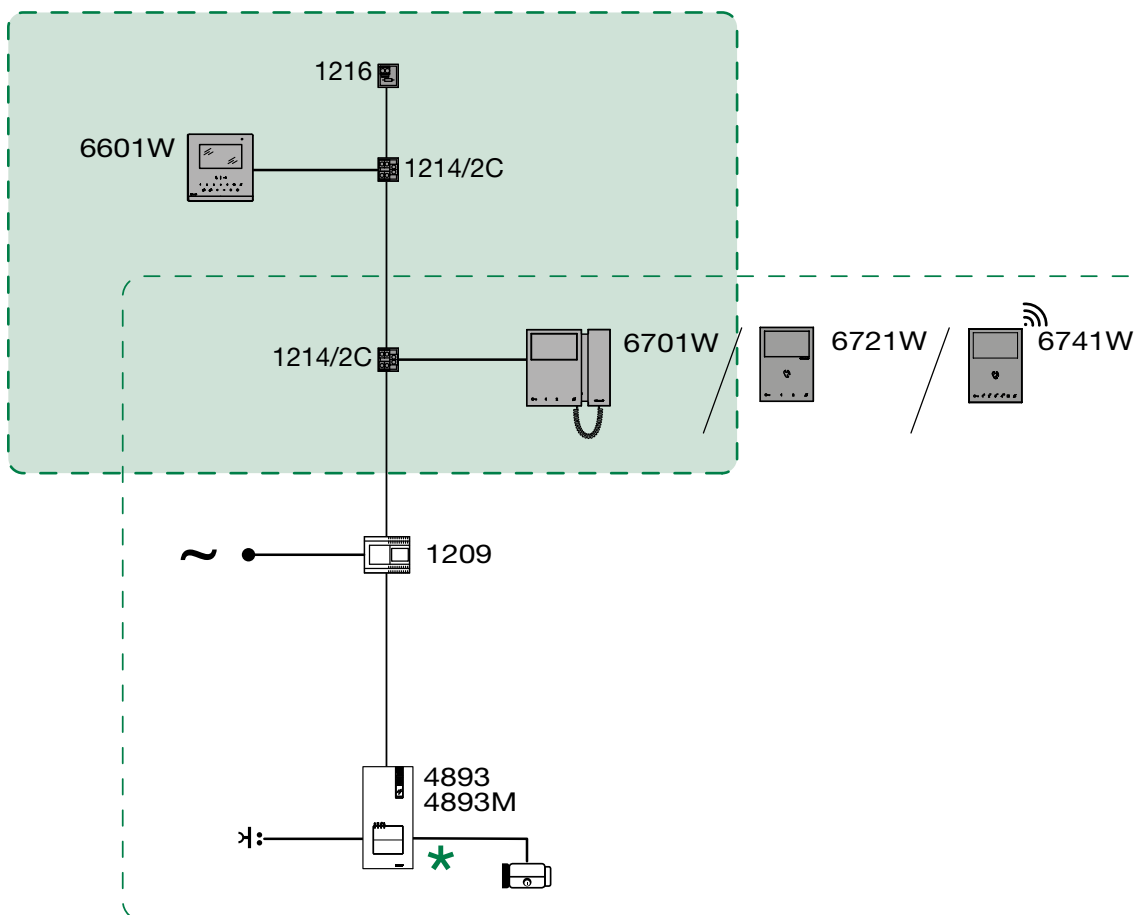
Single-family video entry phone system



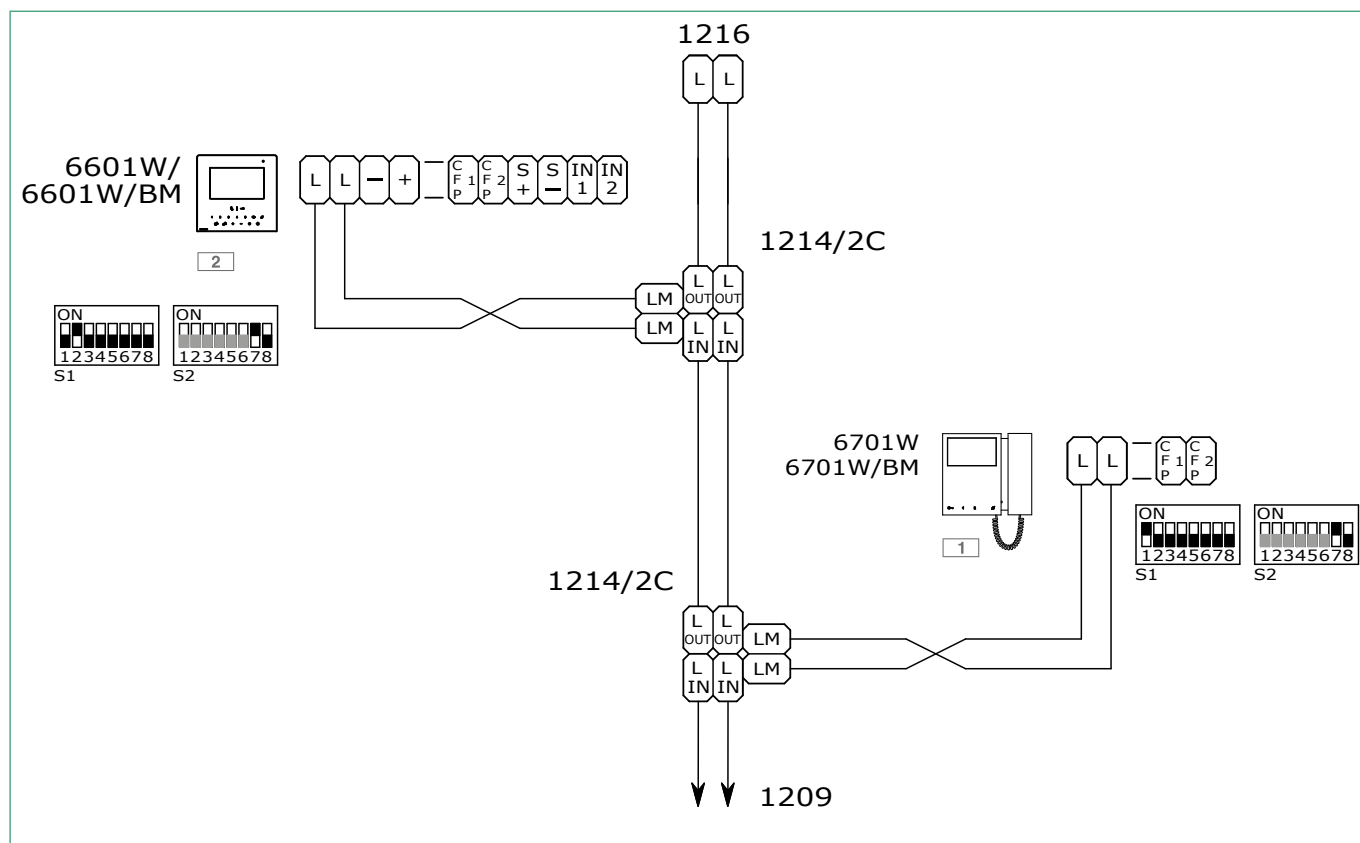


* Local lock-release button.

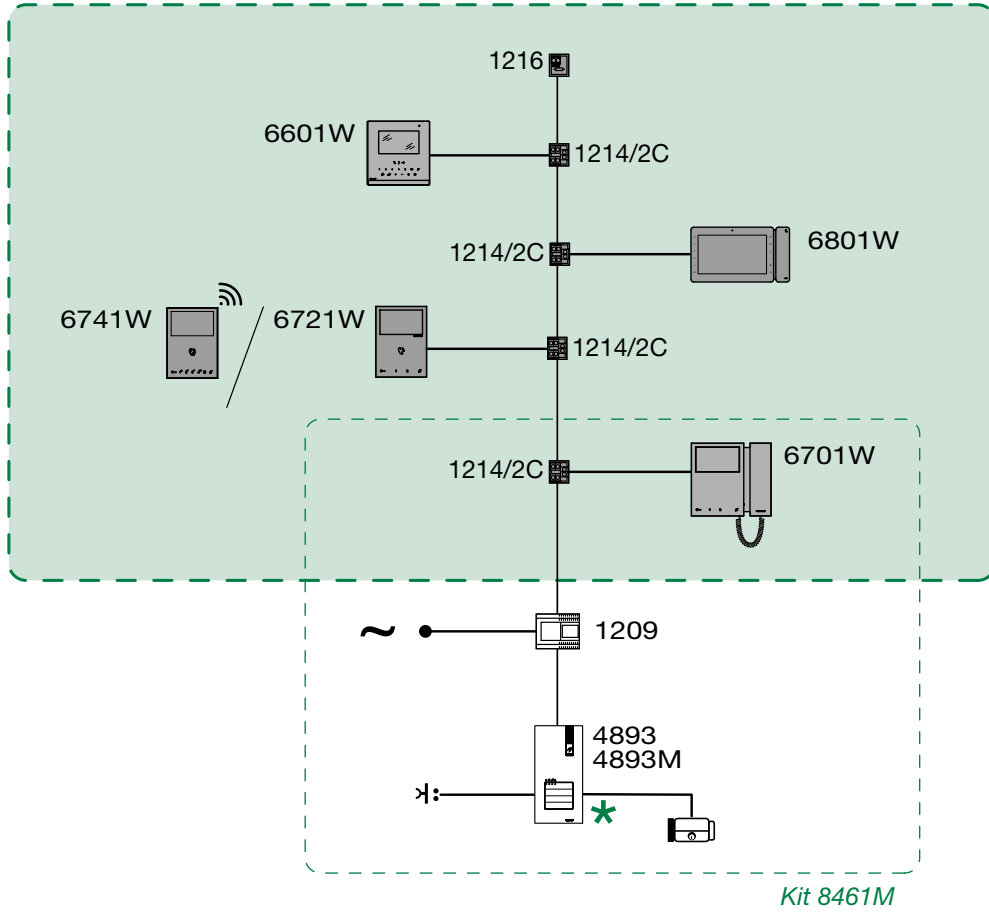
Two-family video entry phone system



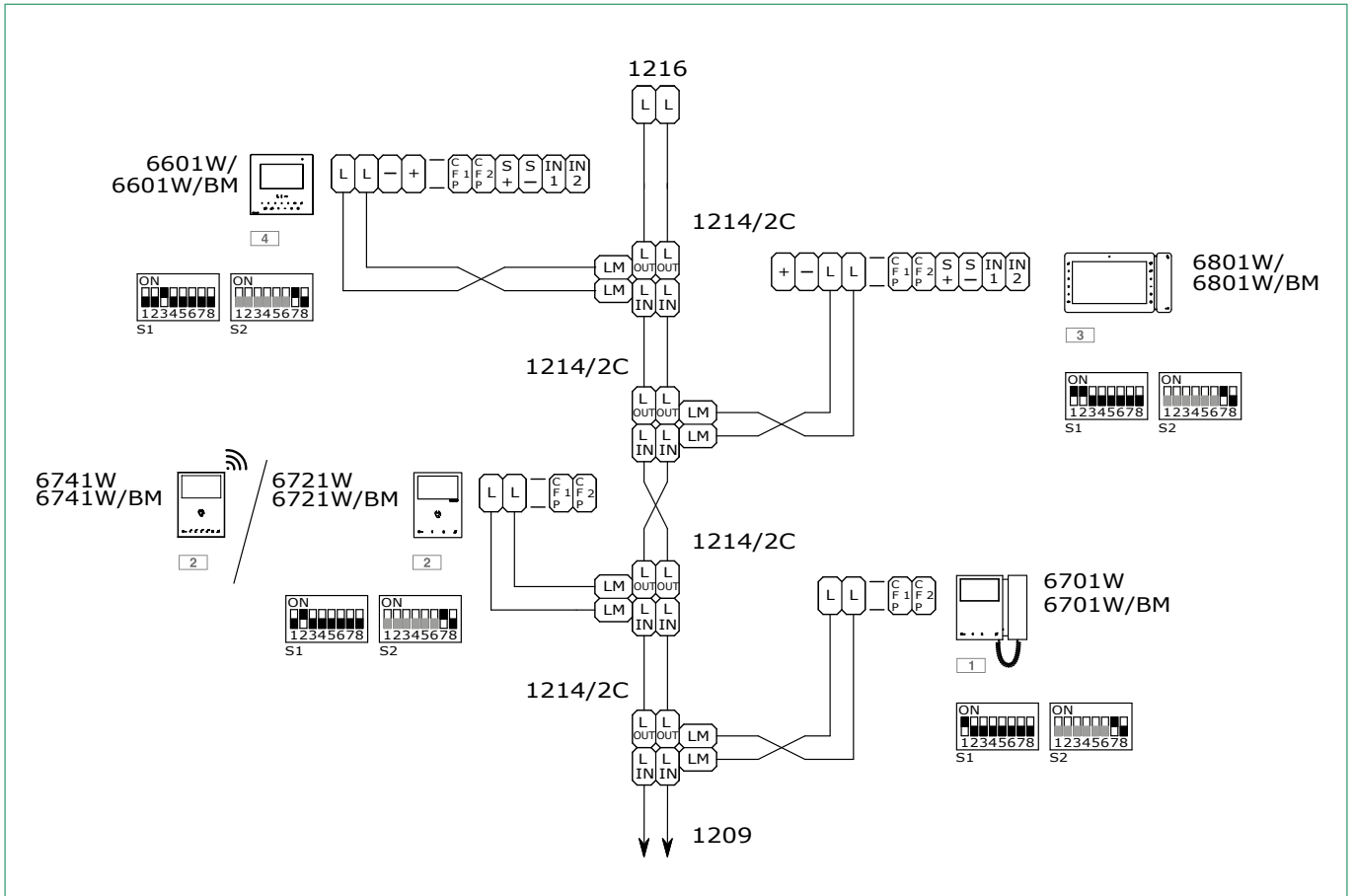
* To program the function “buttons 1-2 enabled with call addresses 1-2” refer to the full manual for 4893/4893M.



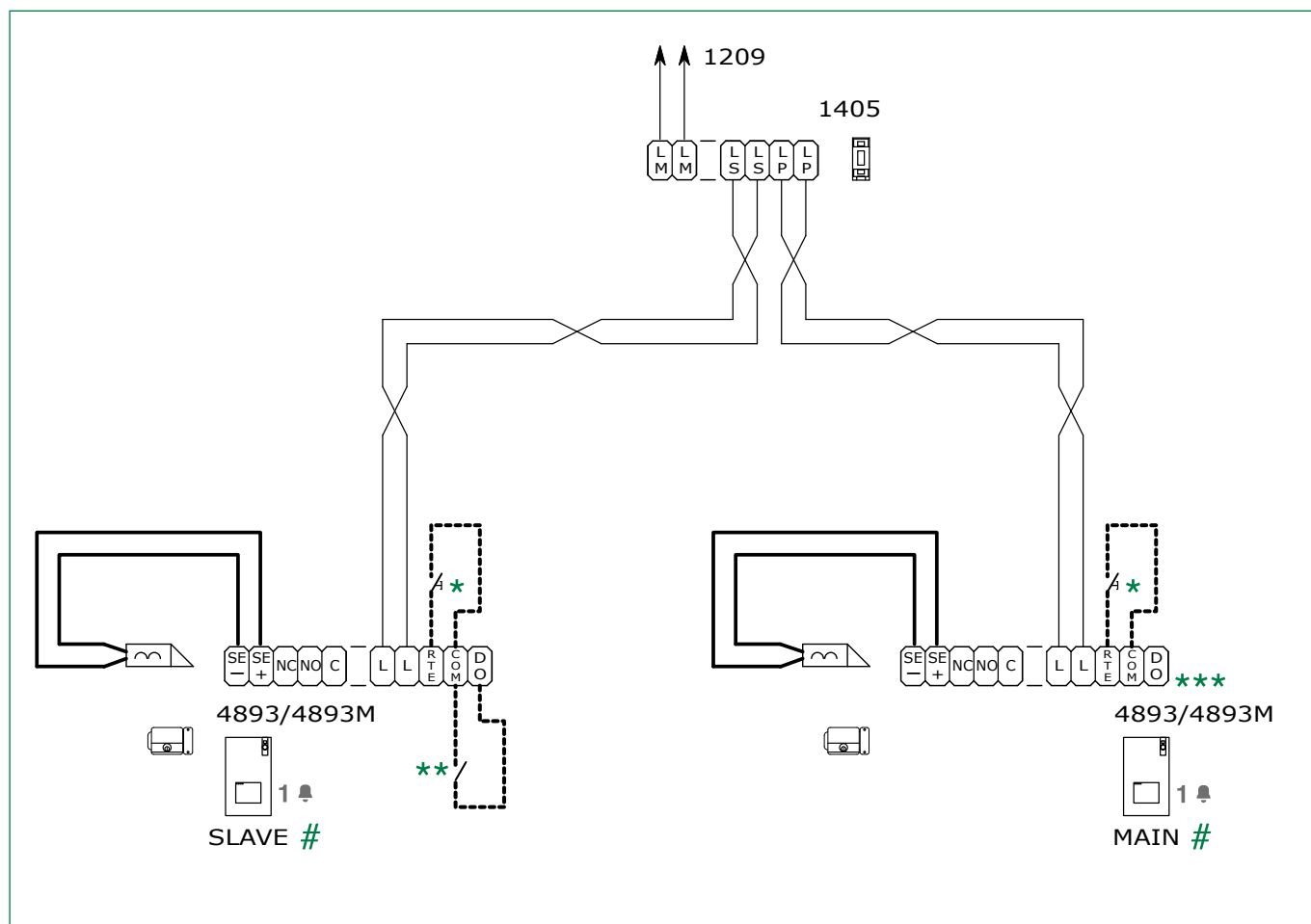
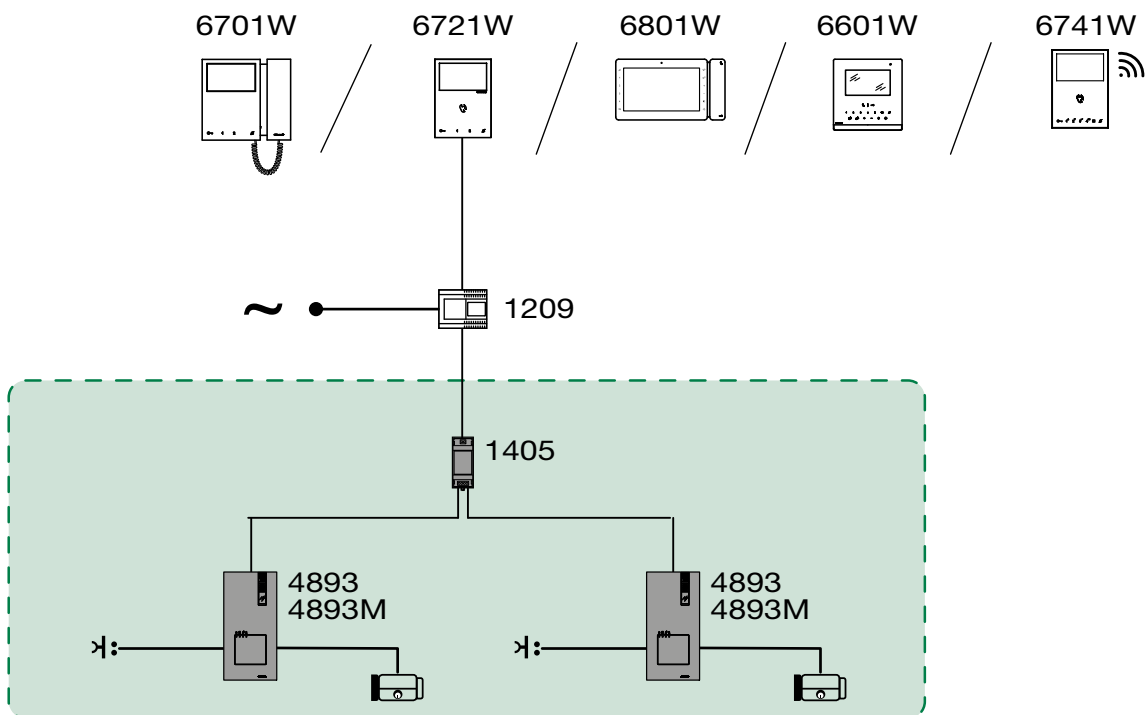
Four-family video entry phone system



★ To program the function “buttons 1-4 enabled with call addresses 1-4” refer to the full manual for 4893/4893M.



Single-family video entry phone system with second external unit



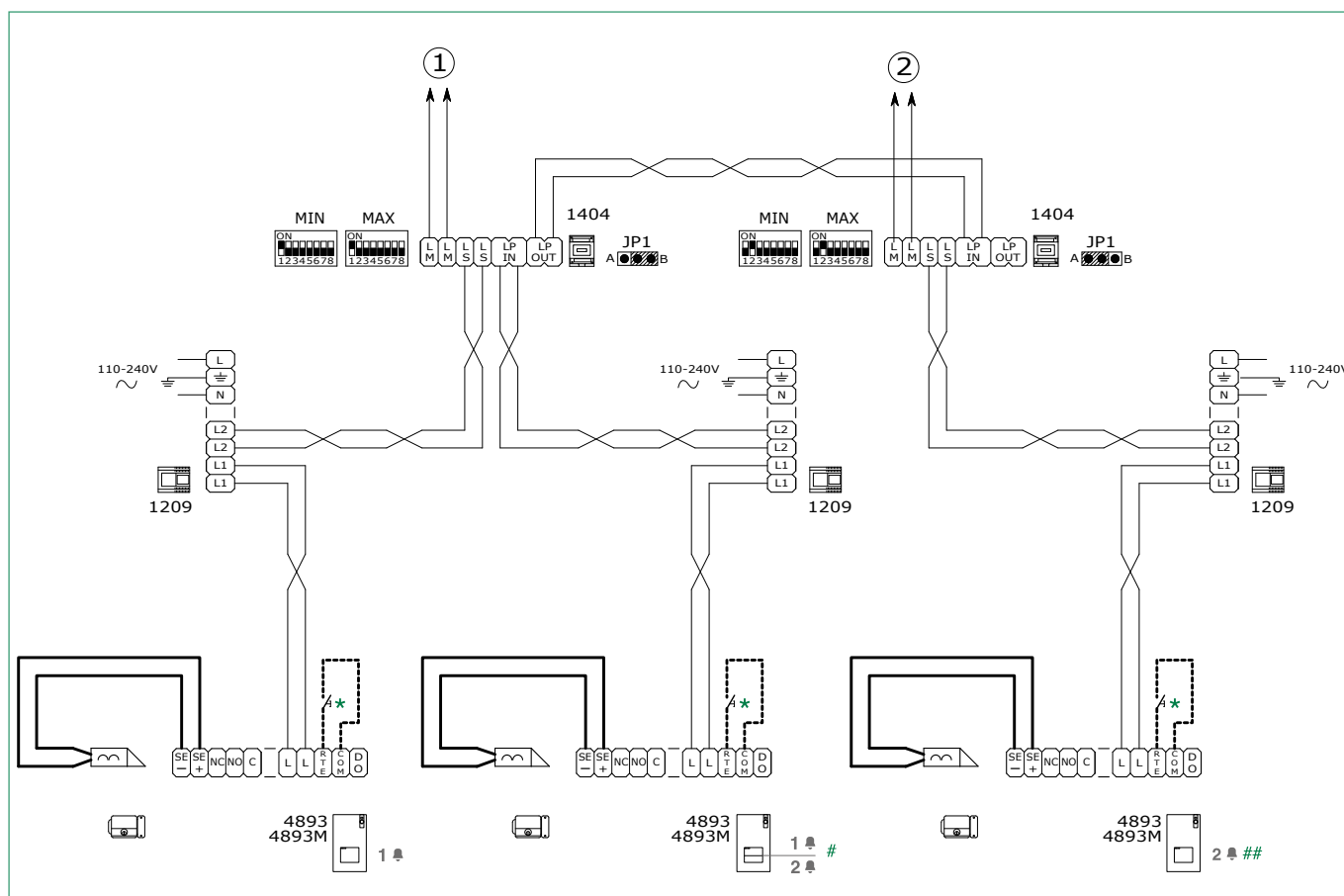
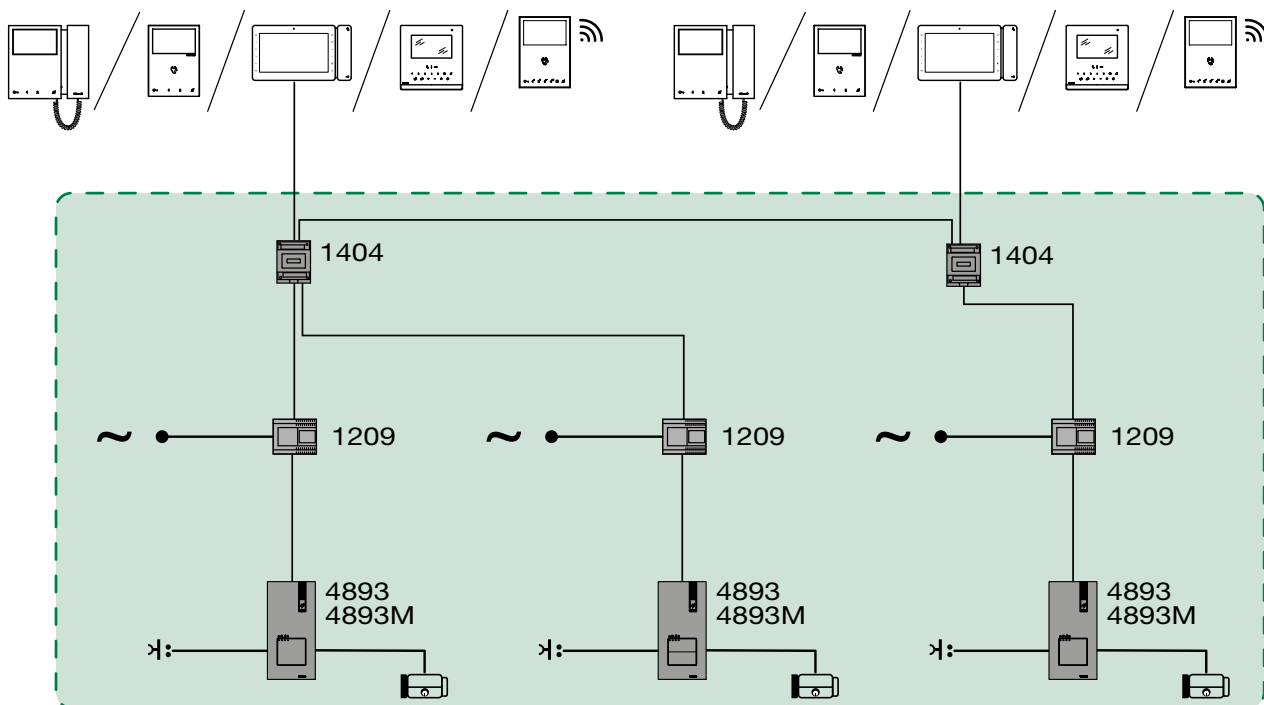
To program the special functions “Main external unit (Porter)” and “Secondary external unit (Porter)” refer to the full manual for 4893/4893M.

* Local lock-release button.

** N.C. contact for door open indication.

*** Door open indication not available.

Video entry phone system with two single-family units and main external unit



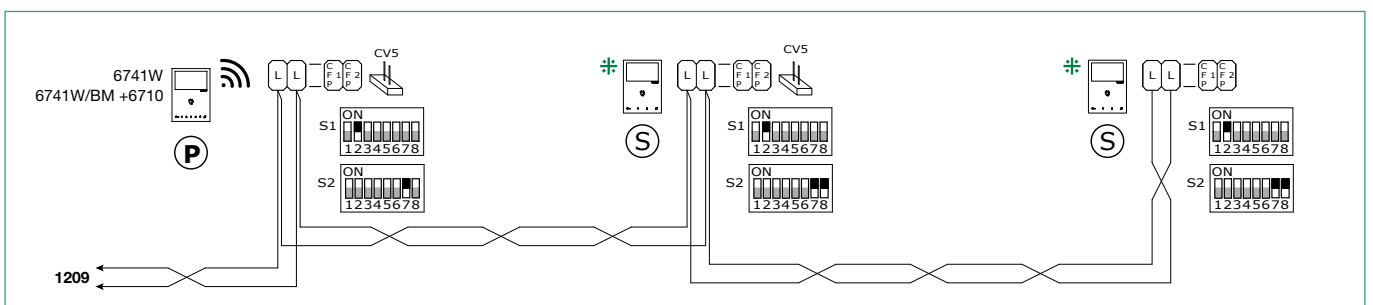
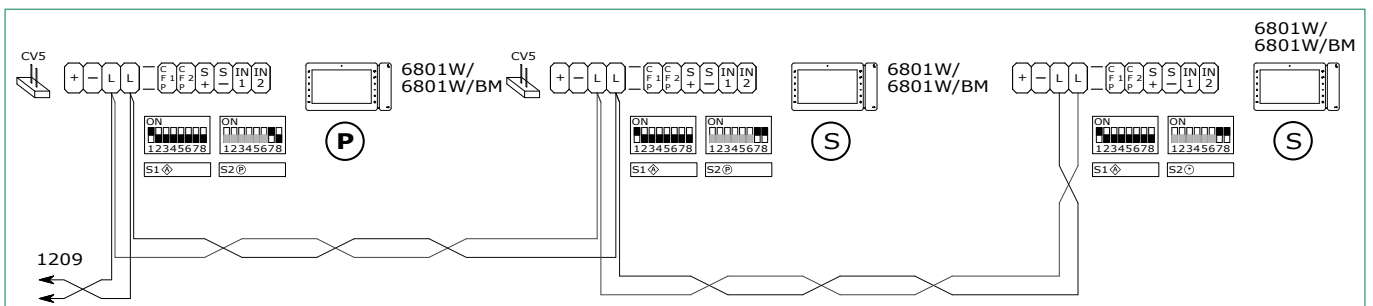
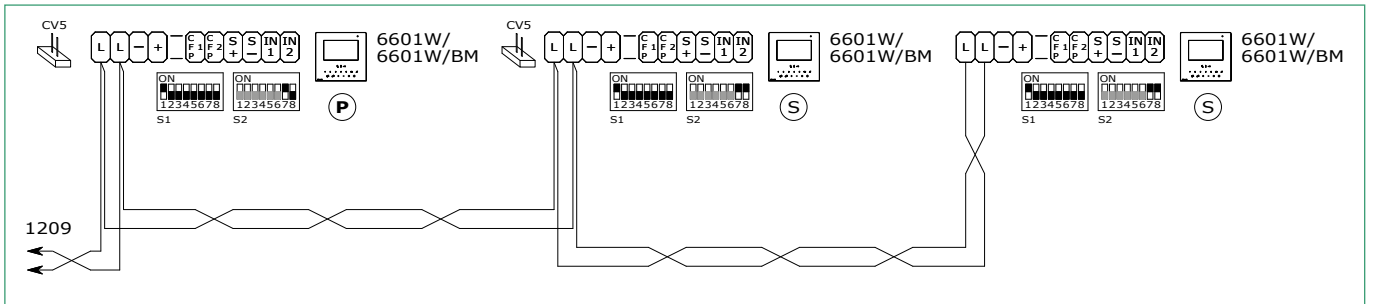
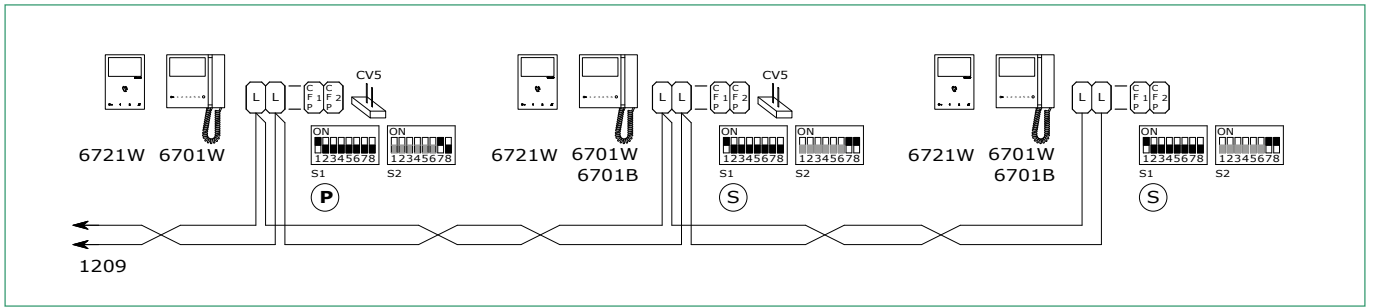
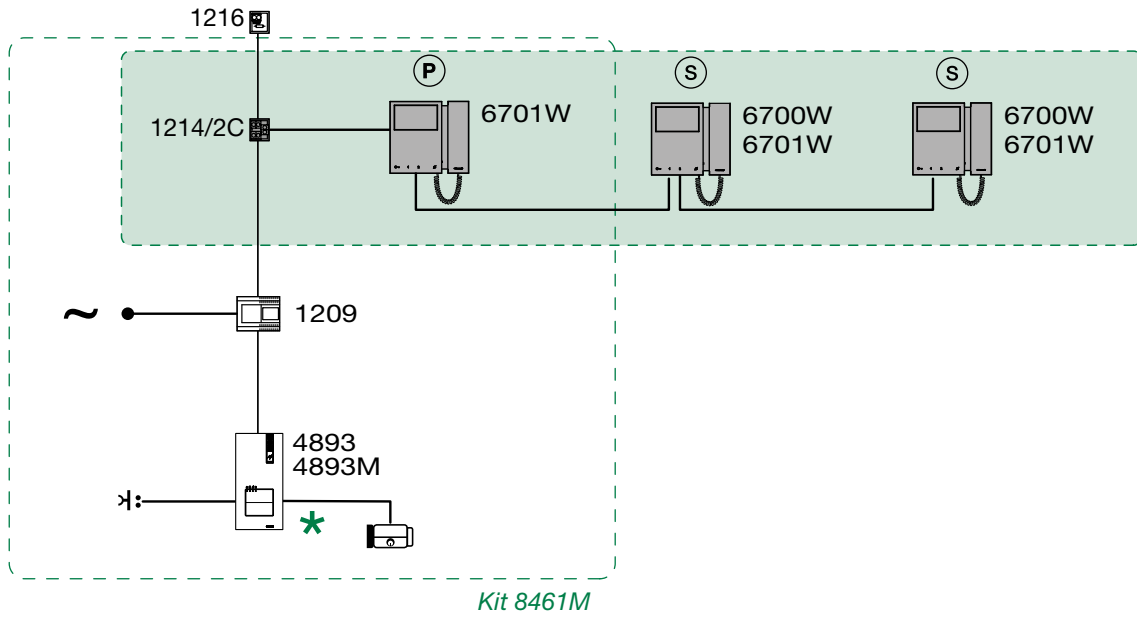
To program the function “buttons 1-2 enabled with call addresses 1-2” refer to the full manual for 4893/4893M.

To program the call address refer to the full manual for 4893/4893M.

* Local lock-release button.

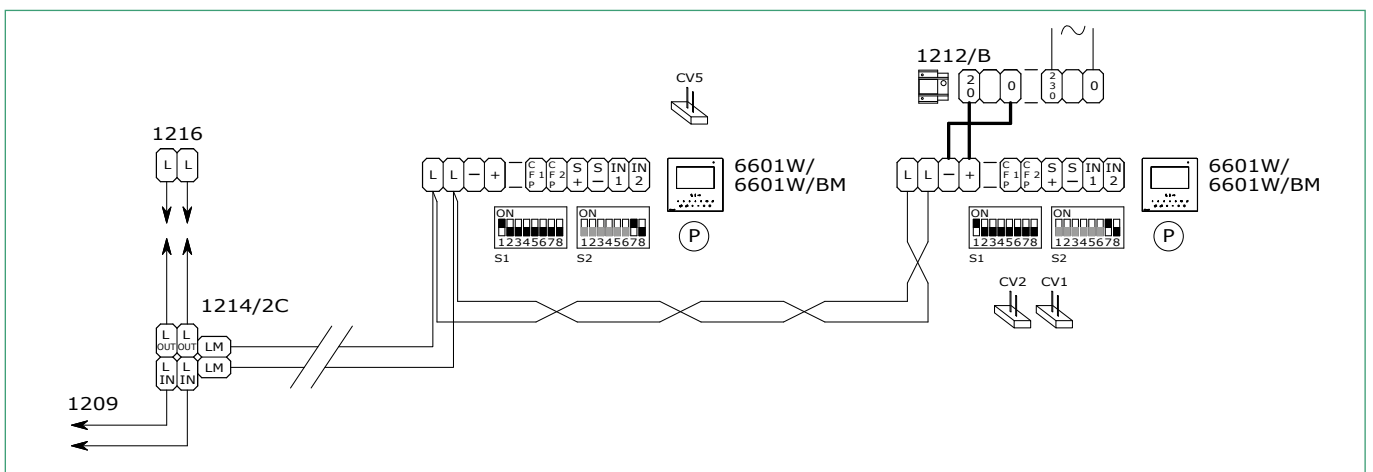
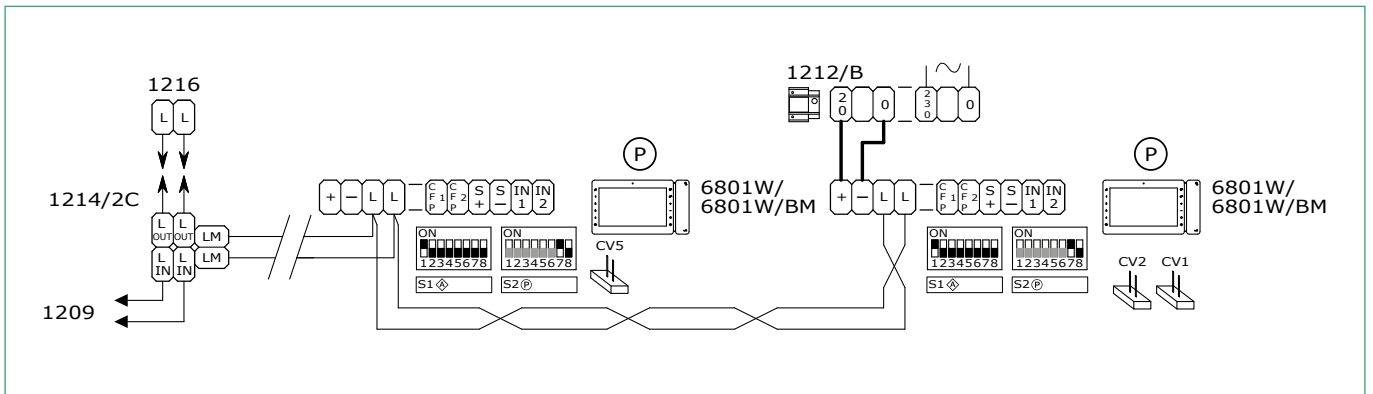
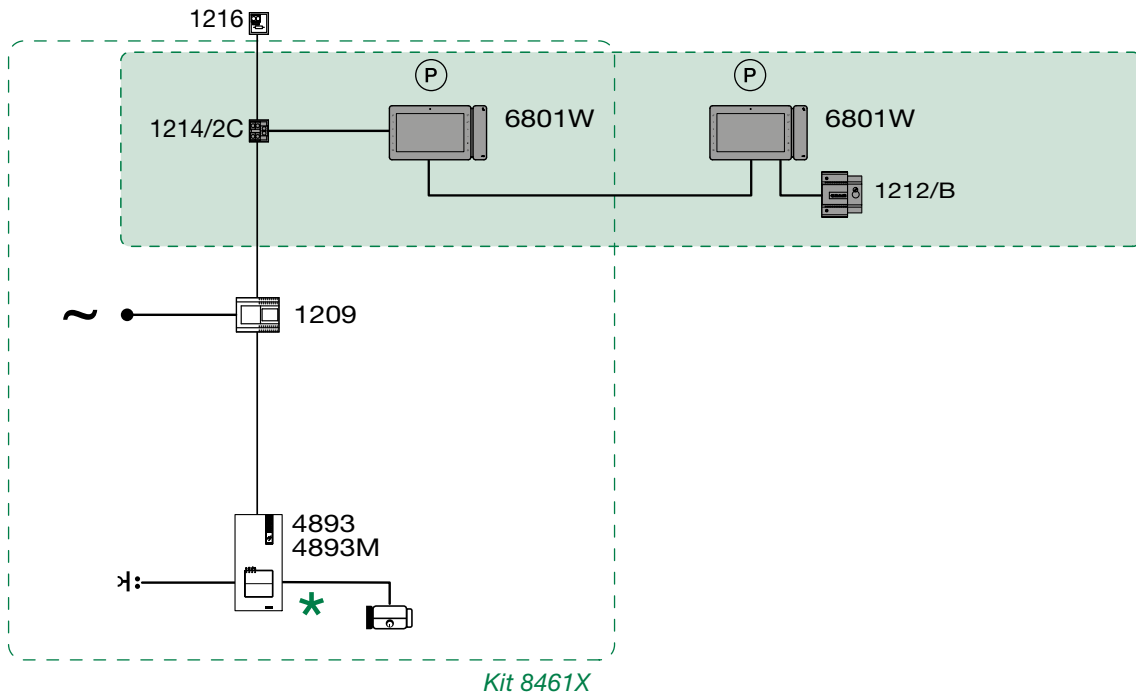
i The door open indication function is not available. The self-ignition function is available (with toggle function between 2 external units).

Variants: additional 2 secondary monitors in cascade connection

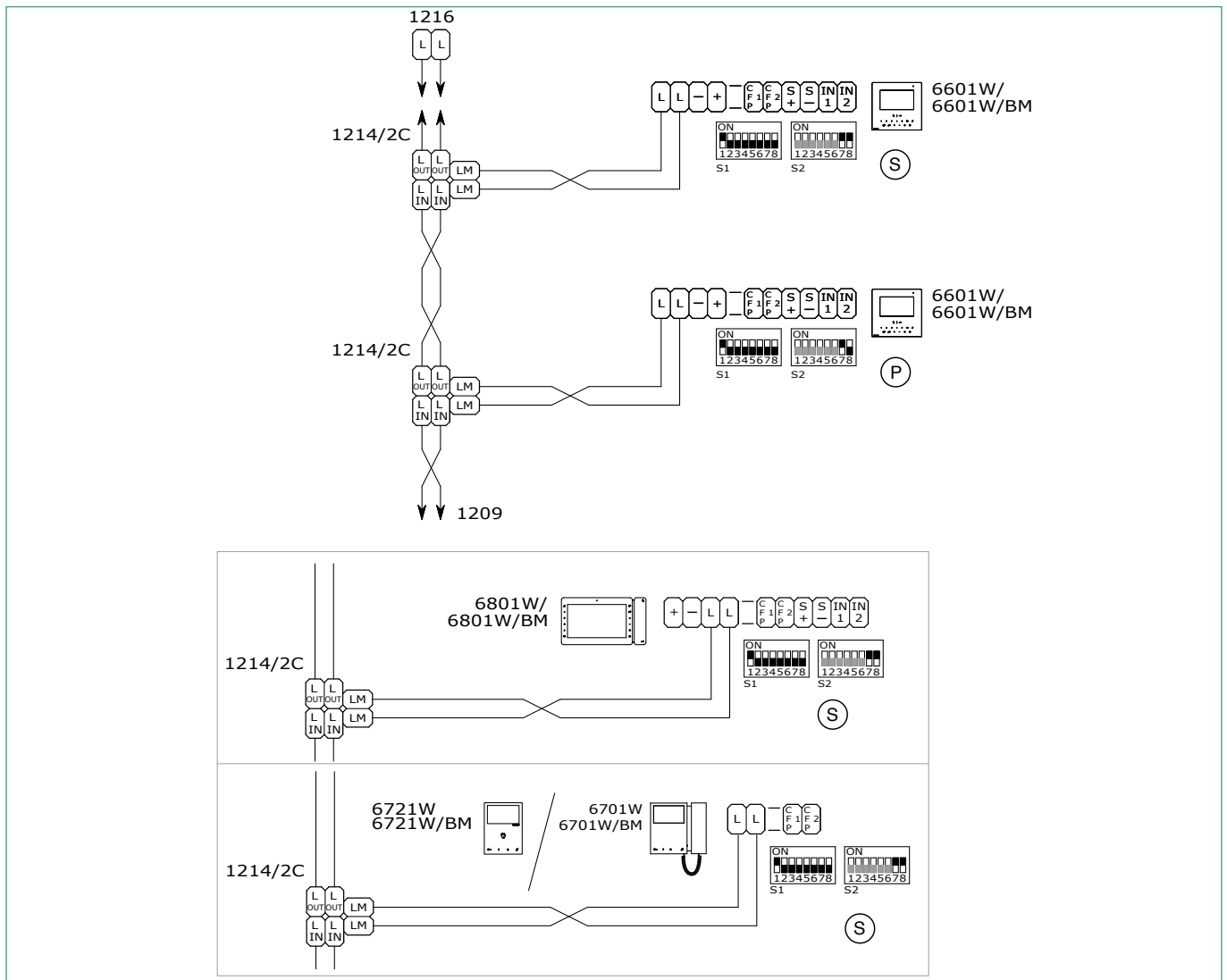
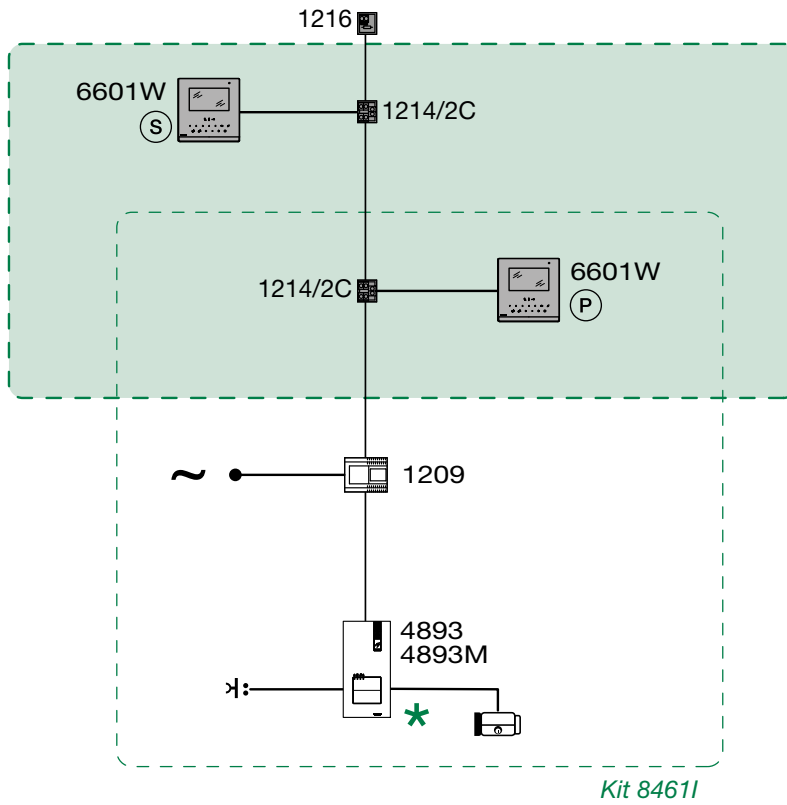


* Compatible secondary monitors

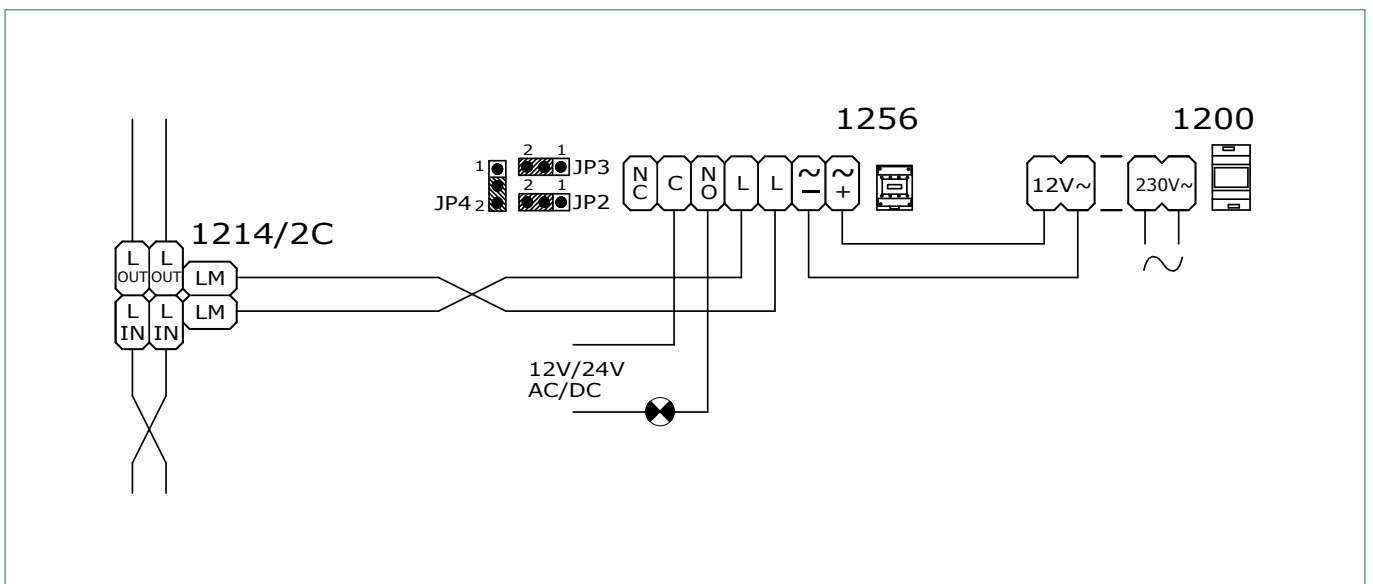
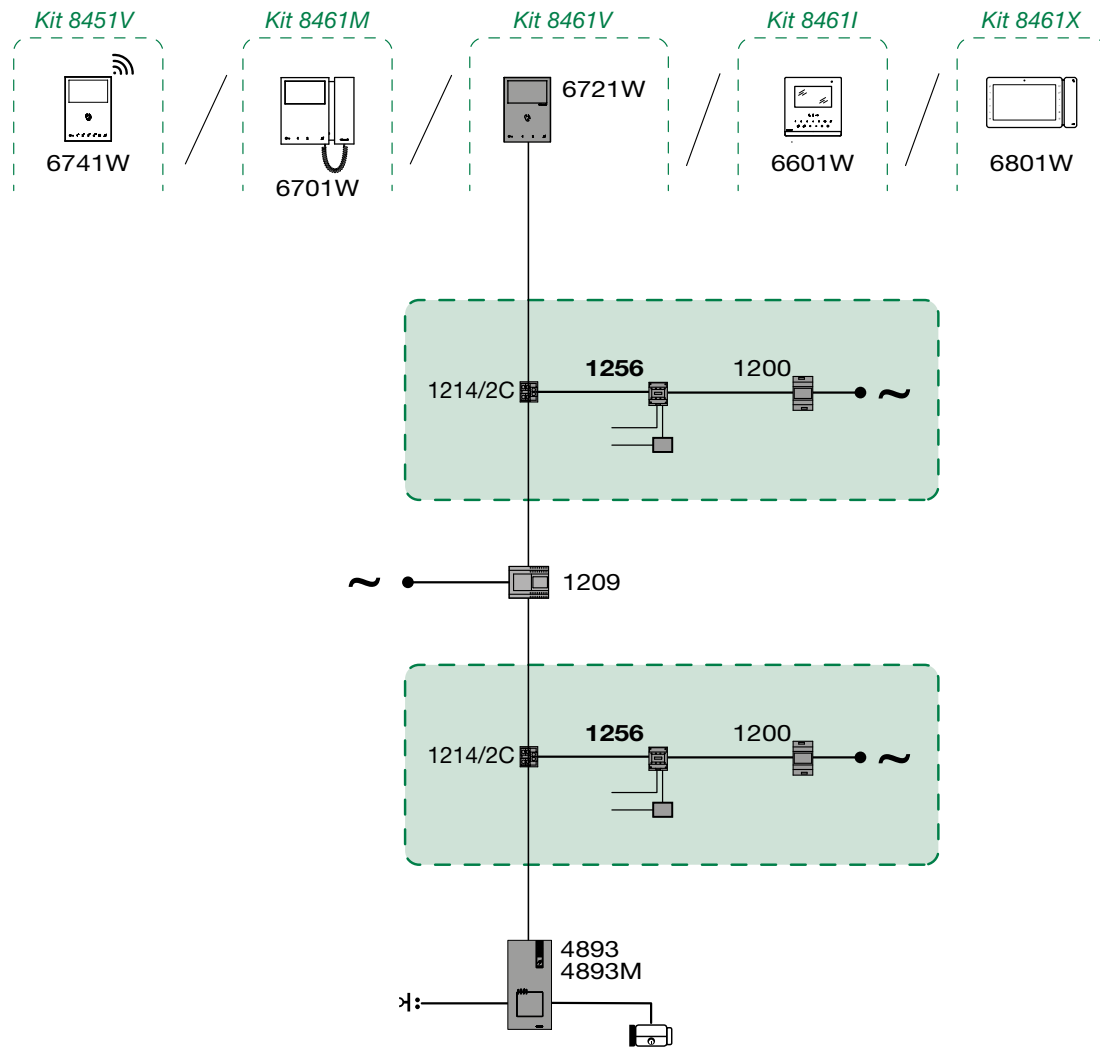
Connection of main monitor with local power supply



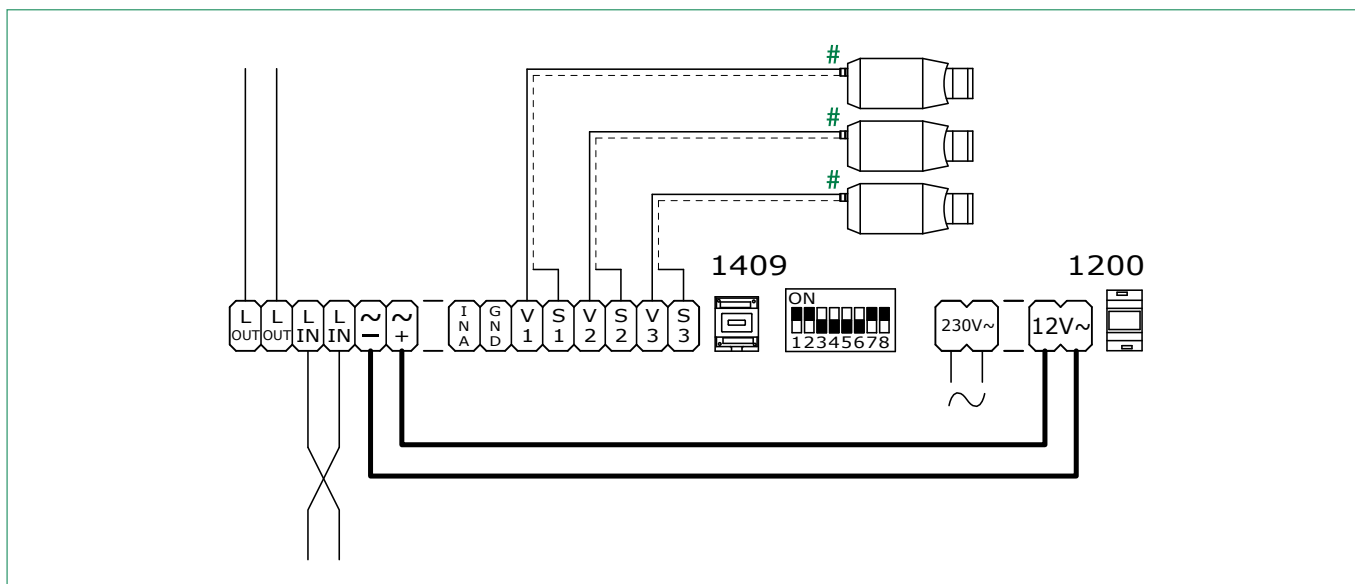
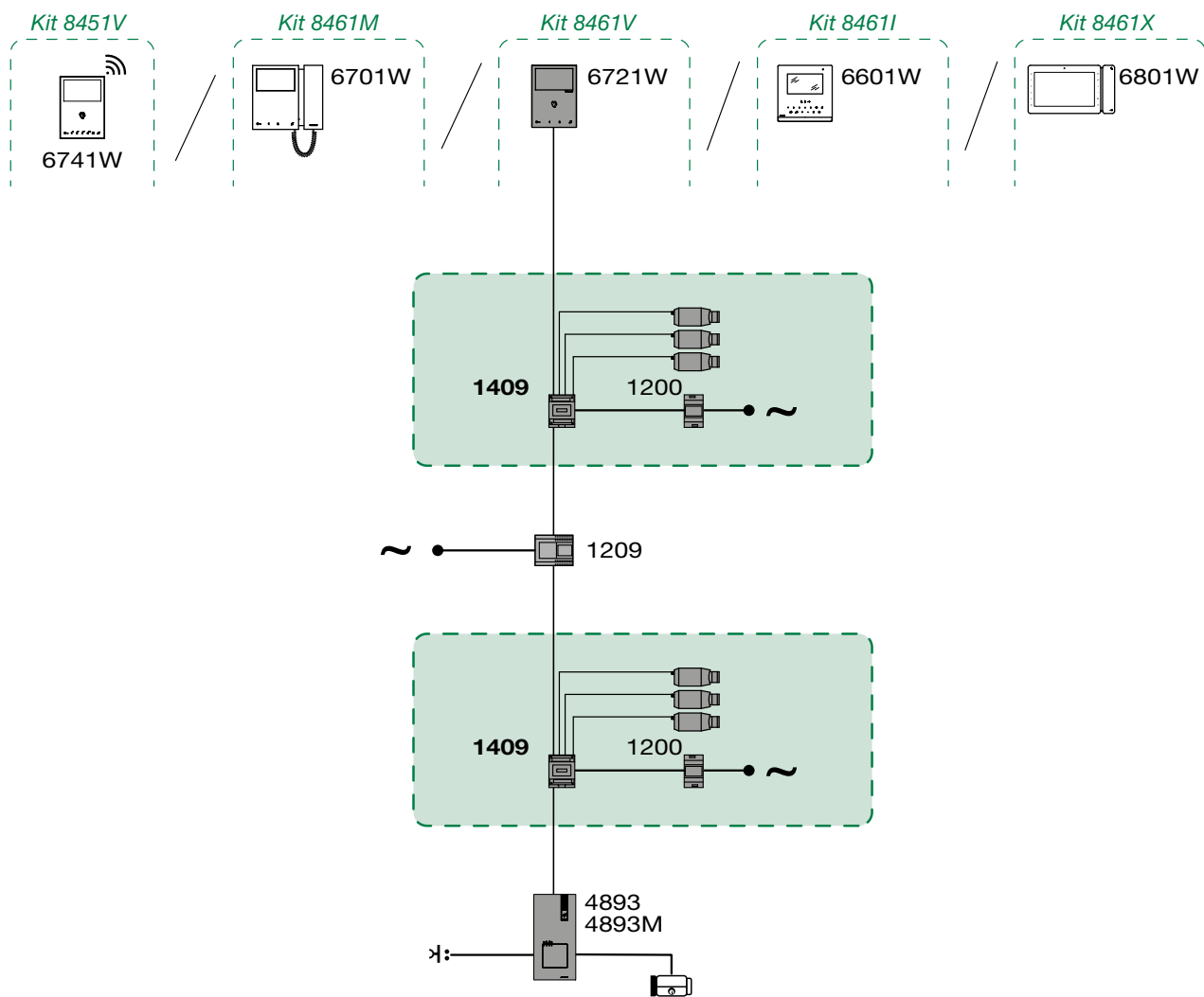
Variants: addition of branched secondary monitor



Use of actuator relay Art. 1256

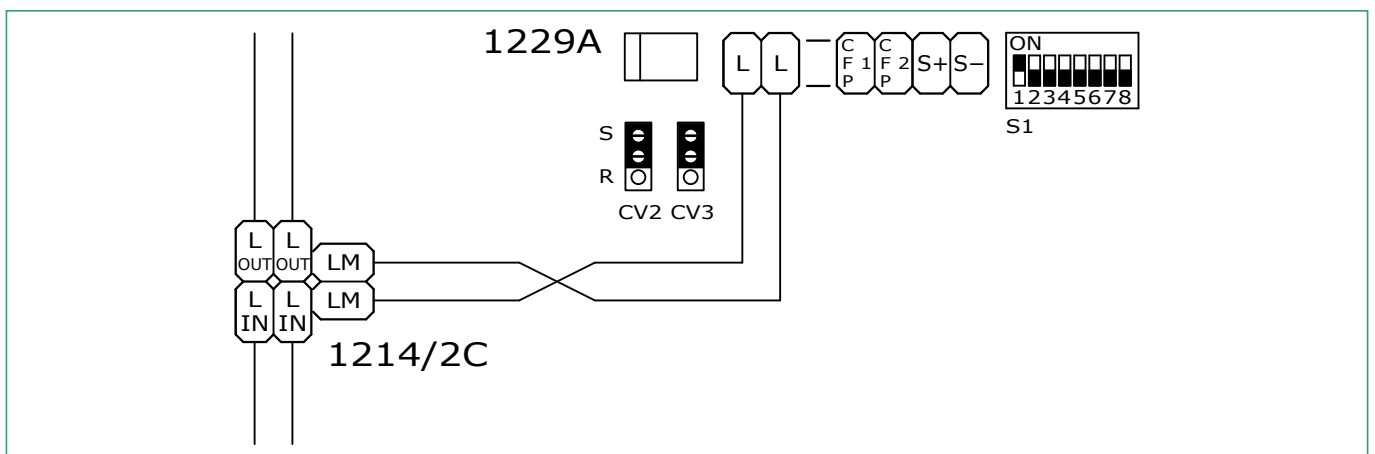
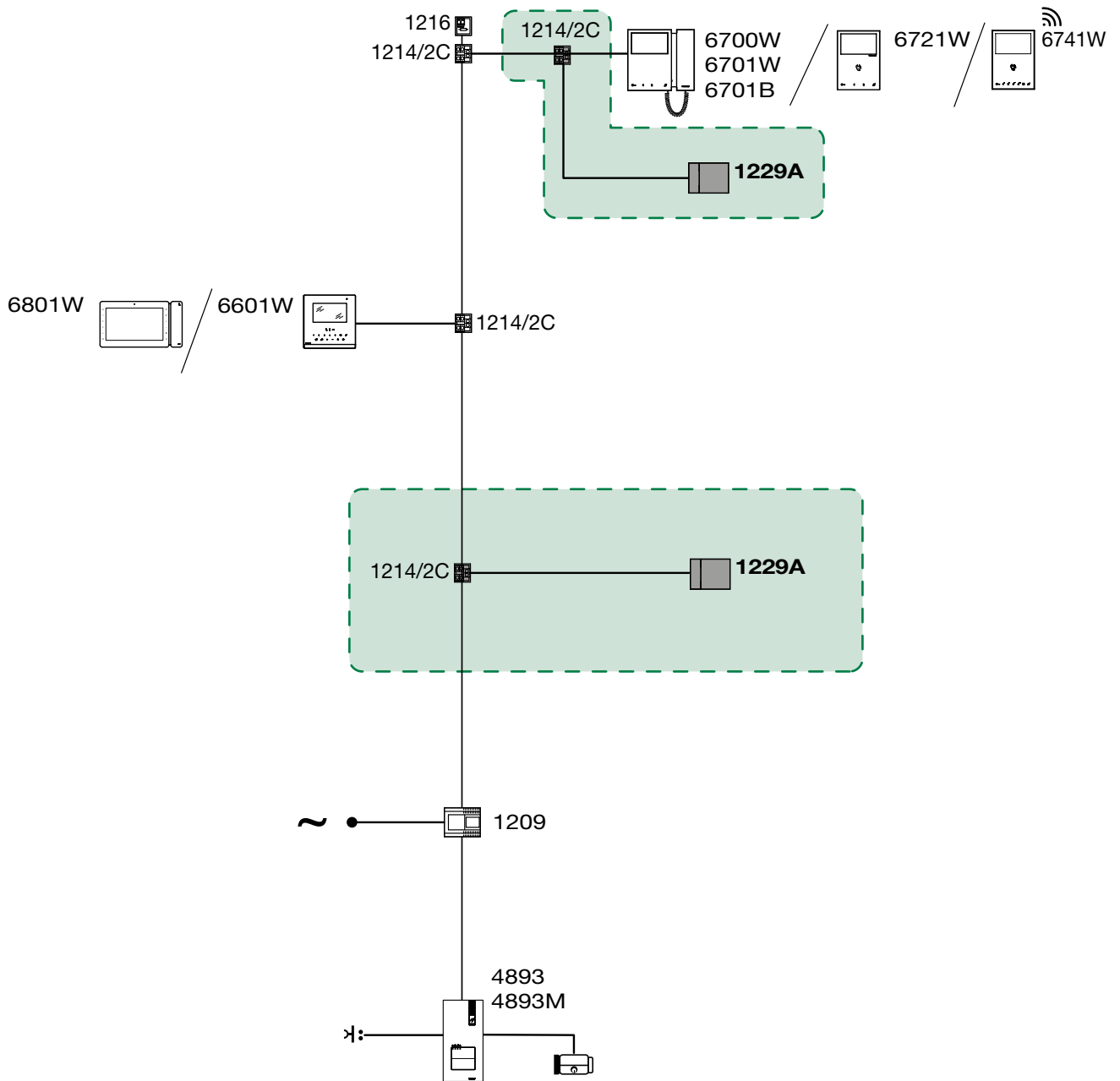


Use of remote camera module Art. 1409



Requires separate power supply.

Use of additional bell Art.1229A



CERTIFIED MANAGEMENT SYSTEMS



www.comelitgroup.com

Via Don Arrigoni, 5 - 24020 Rovetta (BG) - Italy

 **Comelit**[®]
Passion. Technology. Design.