

EN

TECHNICAL
MANUAL



SIMPLEBUS2

Simplebus2 audio/video system

 **Comelit**[®]
Passion. Technology. Design.

Warning

Intended use

This Comelit product has been designed and manufactured for use in the creation of audio and video communication systems in residential, commercial, industrial and public buildings.

Installation

All activities connected to the installation of Comelit products must be carried out by qualified technical personnel, with careful observation of the indications provided in the Manuals / Instruction sheets supplied with those products.

Wires

Disconnect the power supply before carrying out any operations on the wiring.

Use wires with a cross-section suited to the distances involved, observing the instructions provided in the system manual.

We advise against running the system wires through the same duct as power cables (230V or higher).

Safe usage

To ensure Comelit products are used safely:

- carefully observe the indications provided in the Manuals / Instruction sheets,
- make sure the system created using Comelit products has not been tampered with / damaged.

Maintenance

Comelit products do not require maintenance aside from routine cleaning, which should be carried out in accordance with the indications provided in the Manuals / Instruction sheets.

Any repairs must be carried out:

- for the products themselves, exclusively by **Comelit Group S.p.A.**,
- for the systems, by qualified technical personnel.

Disclaimer

Comelit Group S.p.A. does not assume any responsibility for

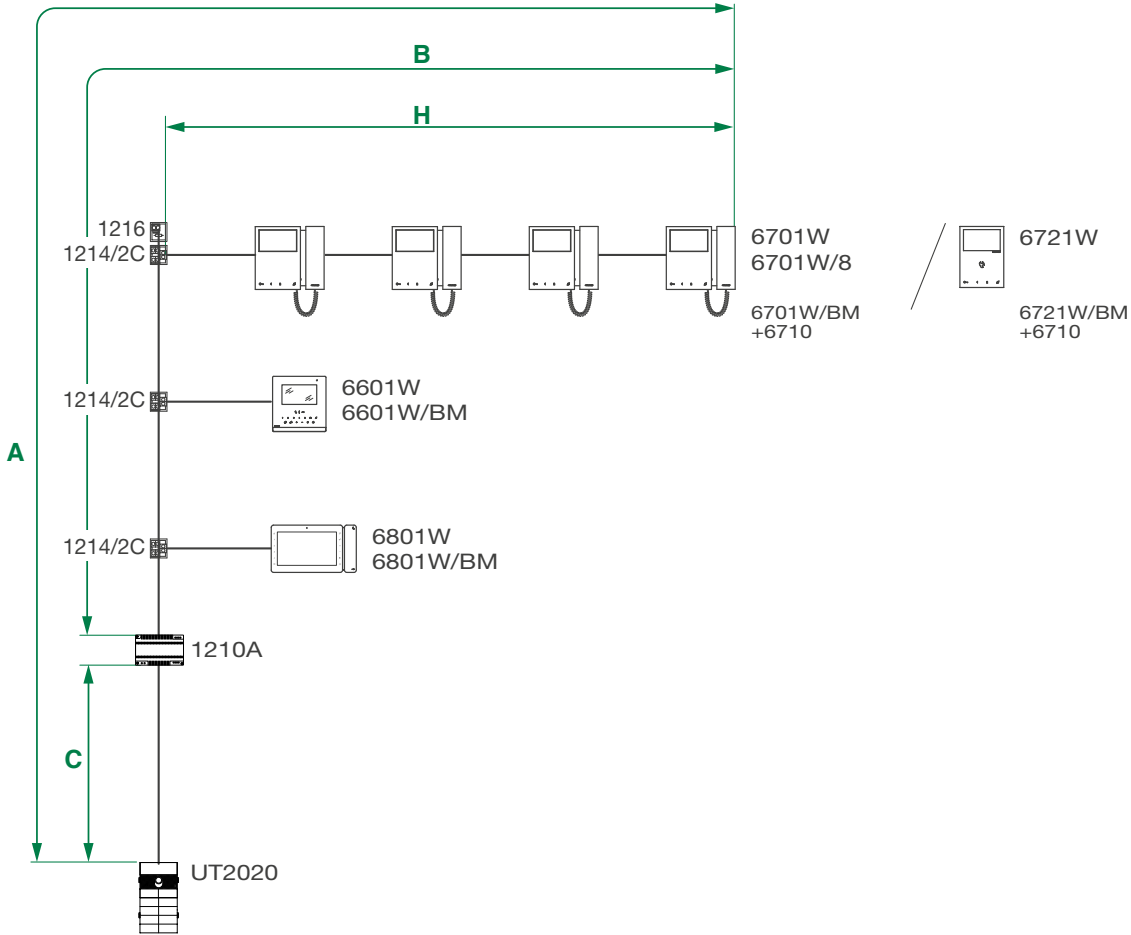
- any purpose other than the intended use,
- failure to observe the indications and warnings contained in this Manual / Instruction sheet.

Comelit Group S.p.A. reserves the right to change the information provided in this Manual / Instruction Sheet at any time and without prior notice.

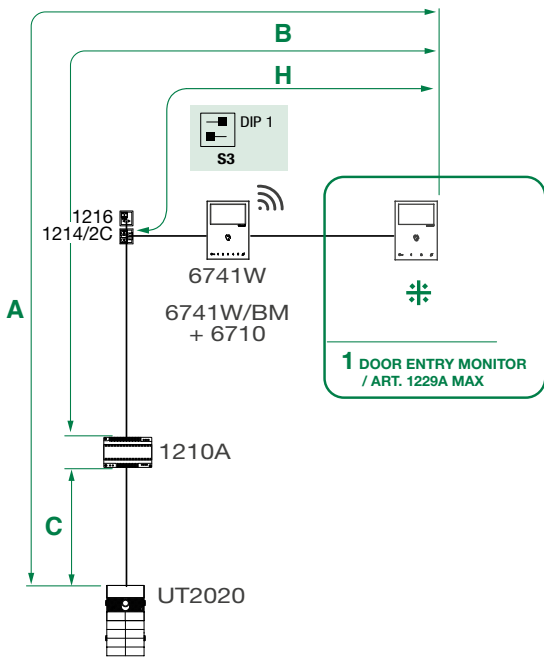
Table of contents

Warning	2
System functions	4
Distances valid for: 6701W(/BM), 6701W/8, 6721W(/BM), 6801W(/BM), 6741W(/BM).....	5
Distances valid for art. 6601W(/BM)	5
Distances with video distributor 4840	6
Maximum system expansion.....	7
Maximum expansion per apartment.....	7
Example of maximum expansion per apartment	8
Wiring diagrams	9
System with a single riser	9
Digital Entrance Panel Variant with Touch-screen module Art. UT9270	11
Variant with separate power supply	11
Digital Entrance Panel Variant with UT9279M	11
System with a single riser with two entrances, one of which is audio.....	12
System with 2 main entrances in TOP mode and 3 risers, 2 of which are equipped with a secondary entrance panel	13
System with 2 risers, one main entrance and n secondary entrances.....	16
System with n single-family units and one main entrance panel (cascade connection).....	17
System with n single-family units and a main entrance panel (branch connection)	18
System with n single-family units and a main entrance panel in TOP mode (cascade connection).....	20
System with video distribution unit, 2 risers and an entrance panel	21
System with video distribution unit, 2 single-family units and a main entrance panel.....	22
Use of actuator relay Art. 1256	24
Use of remote camera module Art. 1409	25
Use of additional ringtone Art. 1229A	26

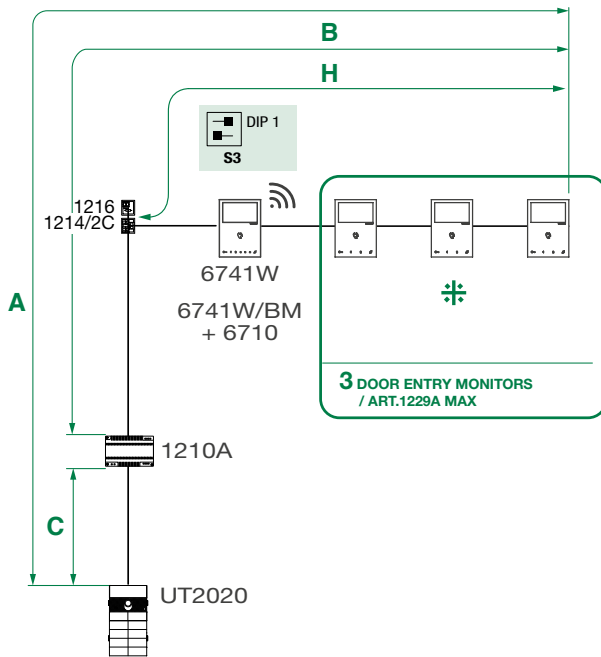
System functions



KIT MODE


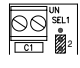

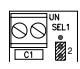

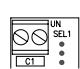

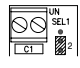

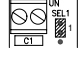
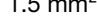
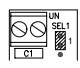
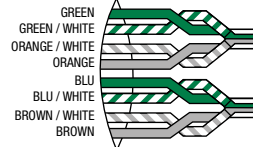
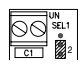


BUILDING MODE


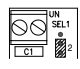

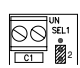

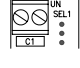

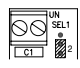

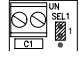

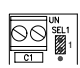
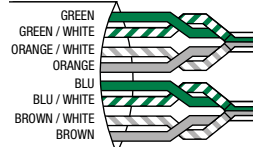
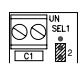


⌘ Compatible secondary door entry monitors: 6701W (/BM), 6701W/8, 6721W (/BM), 6801W (/BM), 6601W (/BM)

Distances valid for: 6701W/(BM), 6701W/8, 6721W/(BM), 6801W/(BM), 6741W/(BM)

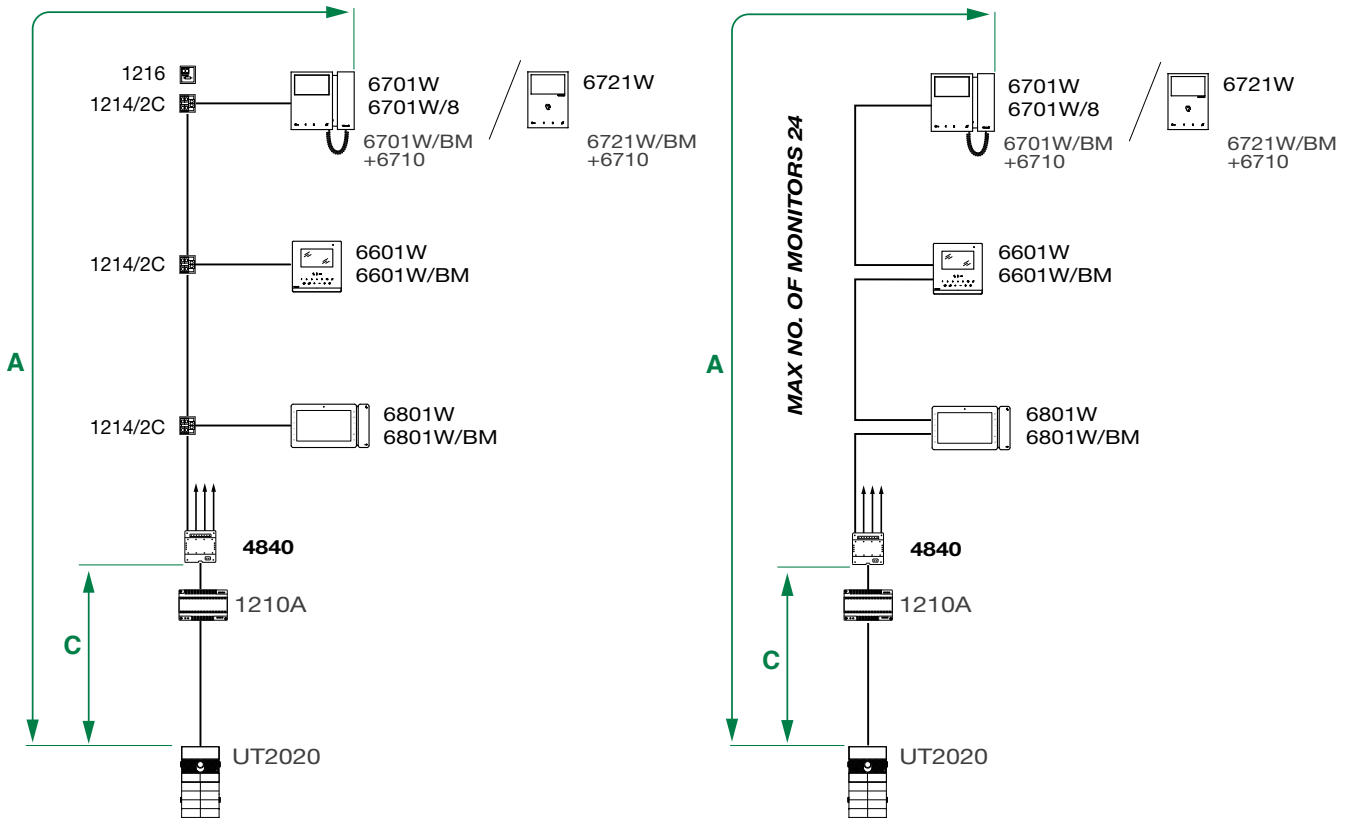
	A MAX	B MAX	C MAX	H MAX	D MAX (see page 8)	Art. 1216
Comelit Art. 4577/4579 1 mm ² (Ø 1.2 mm AWG 17) 	260 m (850 feet)	130 m (425 feet)	130 m (425 feet)	50 m (164 feet)	100 m (328 feet)	
UTP5 cat. 5 0.2 mm ² (Ø 0.5 mm AWG 24) 	80 m (260 feet)	40 m (130 feet)	40 m (130 feet)	30 m (98 feet)	/	
0.28 mm ² (Ø 0.6 mm AWG 23) 	100 m (328 feet)	50 m (164 feet)	50 m (164 feet)	30 m (98 feet)	10 m (32.5 feet)	
0.5 mm ² (Ø 0.8 mm AWG 20) 	140 m (460 feet)	70 m (230 feet)	70 m (230 feet)	30 m (98 feet)	25 m (82 feet)	
1 mm ² (Ø 1.2 mm AWG 17) 	200 m (656 feet)	100 m (328 feet)	100 m (328 feet)	40 m (130 feet)	50 m (164 feet)	
1.5 mm ² (Ø 1.4 mm AWG 15) 	80 m (260 feet)	40 m (130 feet)	40 m (130 feet)	30 m (98 feet)	100 m (328 feet)	
UTP5 cat. 5 0.2 mm ² (Ø 0.5 mm AWG 24) MULTI PAIR CABLE ‡ 	260 m (850 feet)	130 m (425 feet)	130 m (425 feet)	50 m (164 feet)	/	

Distances valid for art. 6601W/(BM)

	A MAX	B MAX	C MAX	H MAX	D MAX (see page 8)	Art. 1216
Comelit Art. 4577/4579 1 mm ² (Ø 1.2 mm AWG 17) 	160 m (525 feet)	70 m (230 feet)	90 m (295 feet)	30 m (98 feet)	100 m (328 feet)	
UTP5 cat. 5 0.2 mm ² (Ø 0.5 mm AWG 24) 	80 m (263 feet)	40 m (130 feet)	40 m (130 feet)	30 m (98 feet)	/	
0.28 mm ² (Ø 0.6 mm AWG 23) 	90 m (295 feet)	40 m (130 feet)	50 m (164 feet)	30 m (98 feet)	10 m (32.5 feet)	
0.5 mm ² (Ø 0.8 mm AWG 20) 	110 m (360 feet)	50 m (164 feet)	60 m (197 feet)	30 m (98 feet)	25 m (82 feet)	
1 mm ² (Ø 1.2 mm AWG 17) 	140 m (460 feet)	70 m (230 feet)	70 m (230 feet)	30 m (98 feet)	50 m (164 feet)	
1.5 mm ² (Ø 1.4 mm AWG 15) 	60 m (197 feet)	30 m (98 feet)	30 m (98 feet)	30 m (98 feet)	100 m (328 feet)	
UTP5 cat. 5 0.2 mm ² (Ø 0.5 mm AWG 24) MULTI PAIR CABLE ‡ 	240 m (786 feet)	120 m (393 feet)	120 m (393 feet)	60 m (197 feet)	/	

‡ UTP cable with multi-cable connection: FOLLOW THE COLOURS SHOWN IN THE DIAGRAM!

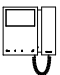




Distances with video distributor 4840



	A MAX			C MAX			Art. 1216
	6701W(/BM), 6701W/8, 6721W(/BM) MINI	6801W(/BM) MAXI	6601W(/BM) ICONA	6701W(/BM), 6701W/8, 6721W(/BM) MINI	6801W(/BM) MAXI	6601W(/BM) ICONA	
Comelit Art. 4577/4579 1 mm ² (Ø 1.2 mm AWG 17)	160 m (525 feet)	90 m (295 feet)	90 m (295 feet)	80 m (263 feet)	40 m (131 feet)	40 m (131 feet)	
UTP5 cat. 5 0.2 mm ² (Ø 0.5 mm AWG 24)	70 m (230 feet)	50 m (164 feet)	50 m (164 feet)	40 m (131 feet)	25 m (82 feet)	25 m (82 feet)	
0.28 mm ² (Ø 0.6 mm AWG 23)	70 m (230 feet)	50 m (164 feet)	50 m (164 feet)	40 m (131 feet)	25 m (82 feet)	25 m (82 feet)	
0.5 mm ² (Ø 0.8 mm AWG 20)	70 m (230 feet)	50 m (164 feet)	50 m (164 feet)	40 m (131 feet)	25 m (82 feet)	25 m (82 feet)	
1 mm ² (Ø 1.2 mm AWG 17)	100 m (328 feet)	60 m (197 feet)	60 m (197 feet)	50 m (164 feet)	30 m (98 feet)	30 m (98 feet)	
1.5 mm ² (Ø 1.4 mm AWG 15)	50 m (164 feet)	40 m (131 feet)	30 m (98 feet)	25 m (82 feet)	25 m (82 feet)	15 (49 feet)	
UTP5 cat. 5 0.2 mm ² (Ø 0.5 mm AWG 24) MULTI PAIR CABLE ‡	130 m (426 feet)	100 m (328 feet)	100 m (328 feet)	65 m (213 feet)	50 m (164 feet)	50 m (164 feet)	

‡ UTP cable with multi-cable connection: FOLLOW THE COLOURS SHOWN IN THE DIAGRAM!

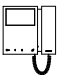




Maximum system expansion

Devices	 6701W(/BM) 6701W/8	 6721W(/BM)	 6601W(/BM)	 6801W(/BM)	 6741W(/BM)
Maximum number of door entry monitors that can be powered from art. 1210A	100	100	90	100	100* (Building mode) 10* (Kit mode)
Call repetition devices that can be used	1229A	1229A	1229A 1229 #	1229A 1229 #	1229A

* For further information, see the manual for Art. 6741W

For installation information and limits, consult the relative manual

Maximum expansion per apartment

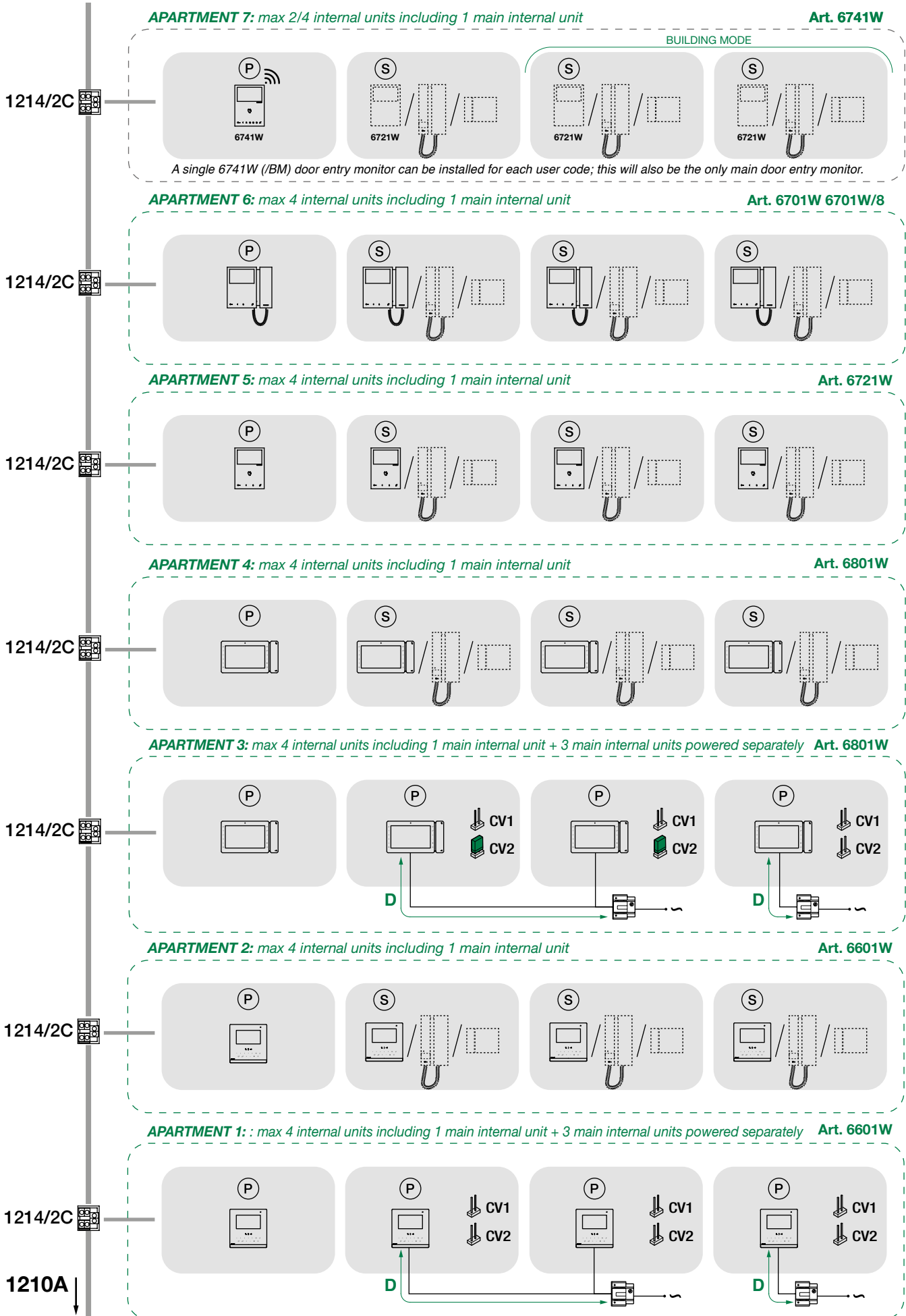
Devices	 6701W(/BM) 6701W/8	 6721W(/BM)	 6601W(/BM)	 6801W(/BM)	 6741W(/BM)
Maximum number of internal units (including call repetition devices) with the same user code	4	4	4	4	1*
Maximum number of main door entry monitors powered from the riser	1	1	1	1	1
Maximum number of main door entry monitors that can be powered by Art. 1212/B	/	/	3	3	/

* A single 6741W(/BM) door entry monitor can be installed for each user code; this will also be the only main door entry monitor.

In Building mode: up to 3 secondary door entry monitors can also be added (6701W (/BM), 6701W/8, 6721W (/BM), 6801W (/BM), 6601W (/BM)).

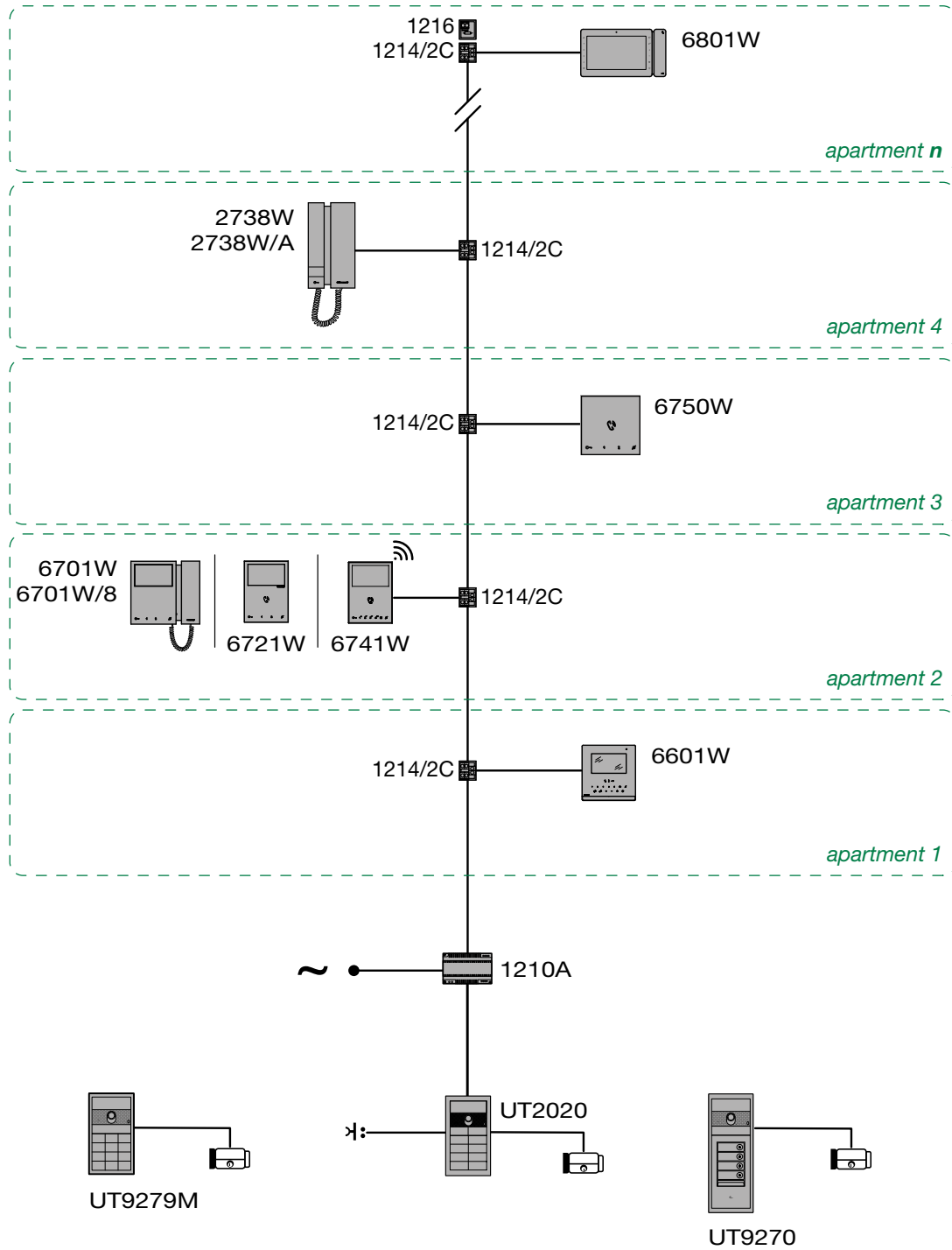
In Kit mode: up to 1 door entry monitor can also be added (6701W (/BM), 6701W/8, 6721W (/BM), 6801W (/BM), 6601W (/BM)).

Example of maximum expansion per apartment

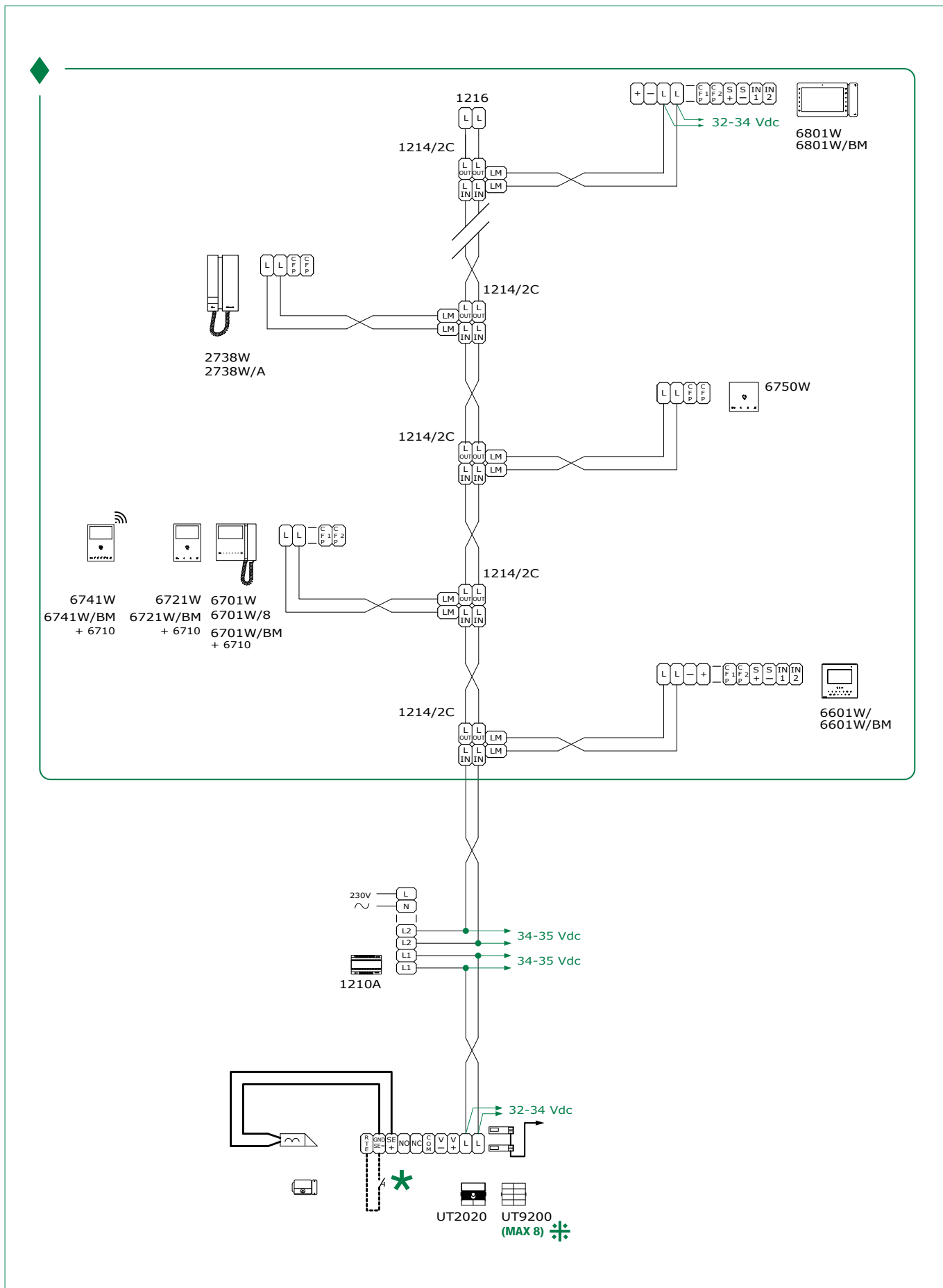


Wiring diagrams

System with a single riser



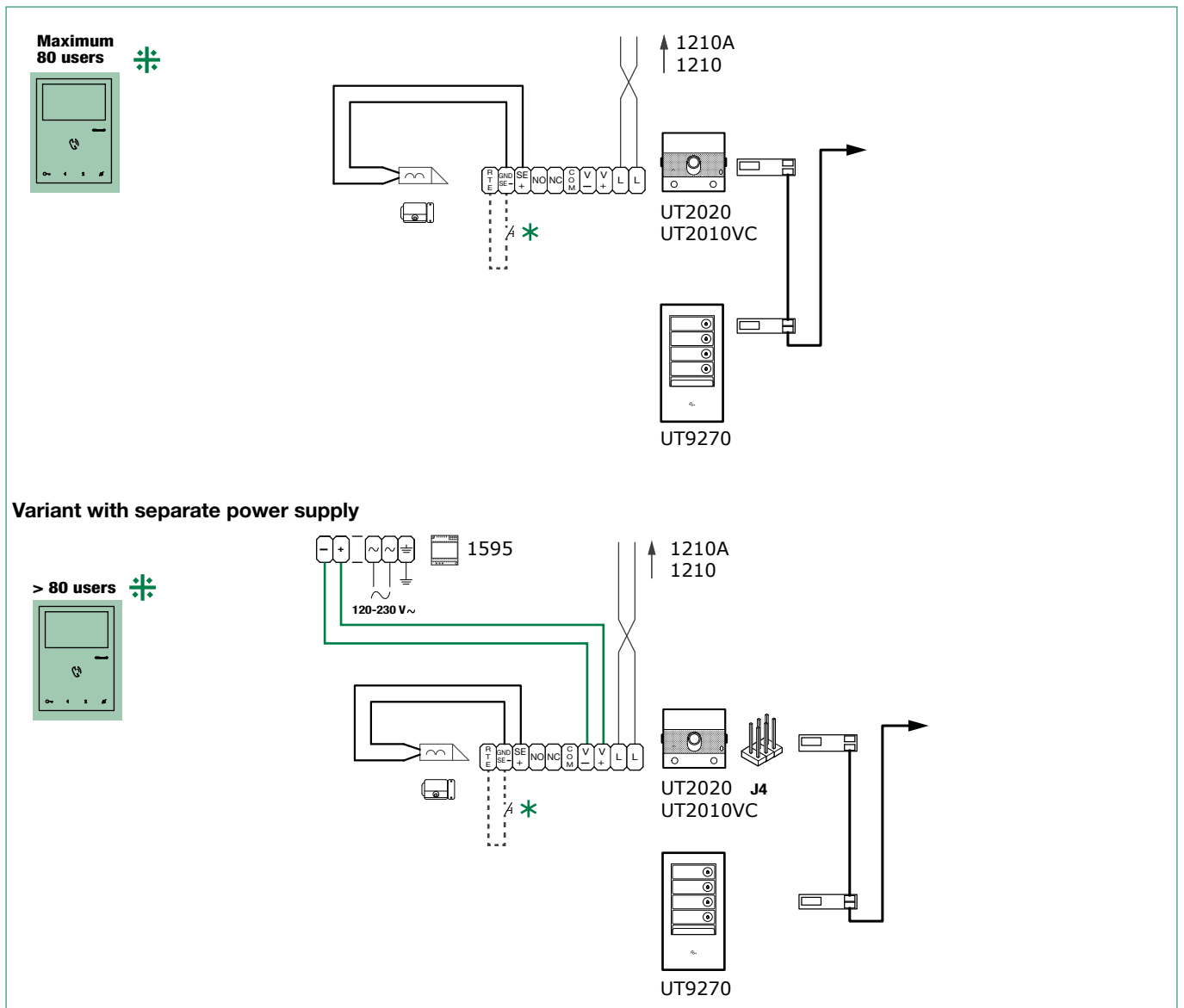
◆ VIDEO ENTRY SYSTEM RISER



★ Max 20 m. Local door-opener button.

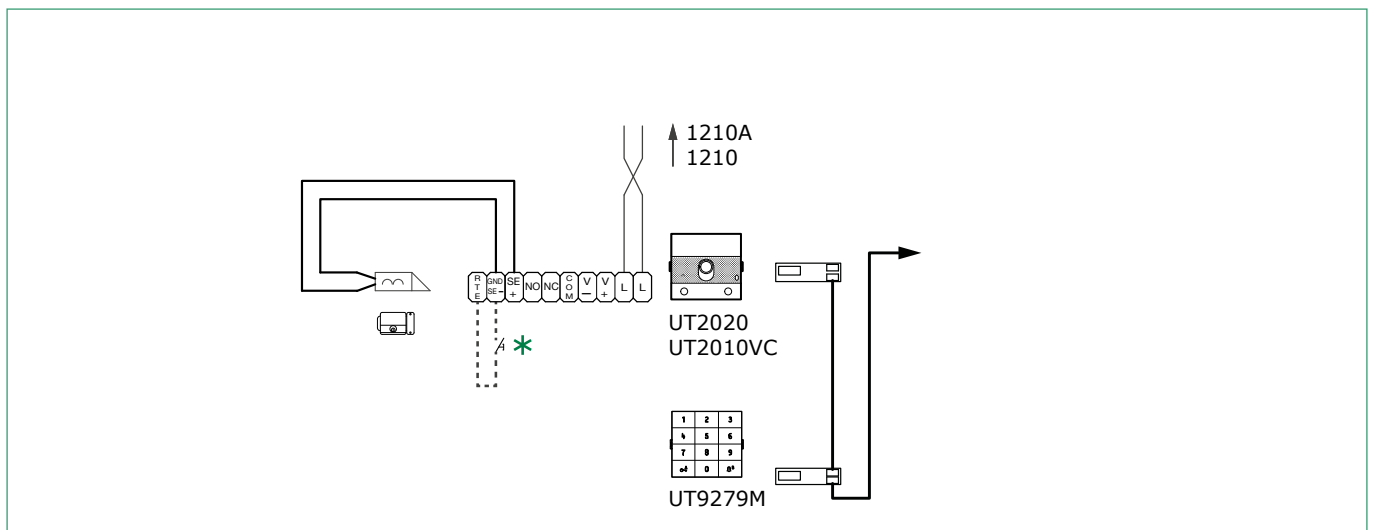
⚡ For configurations other than those indicated in the diagram, refer to the full manual for product number UT2020.

Digital Entrance Panel Variant with Touch-screen module Art. UT9270



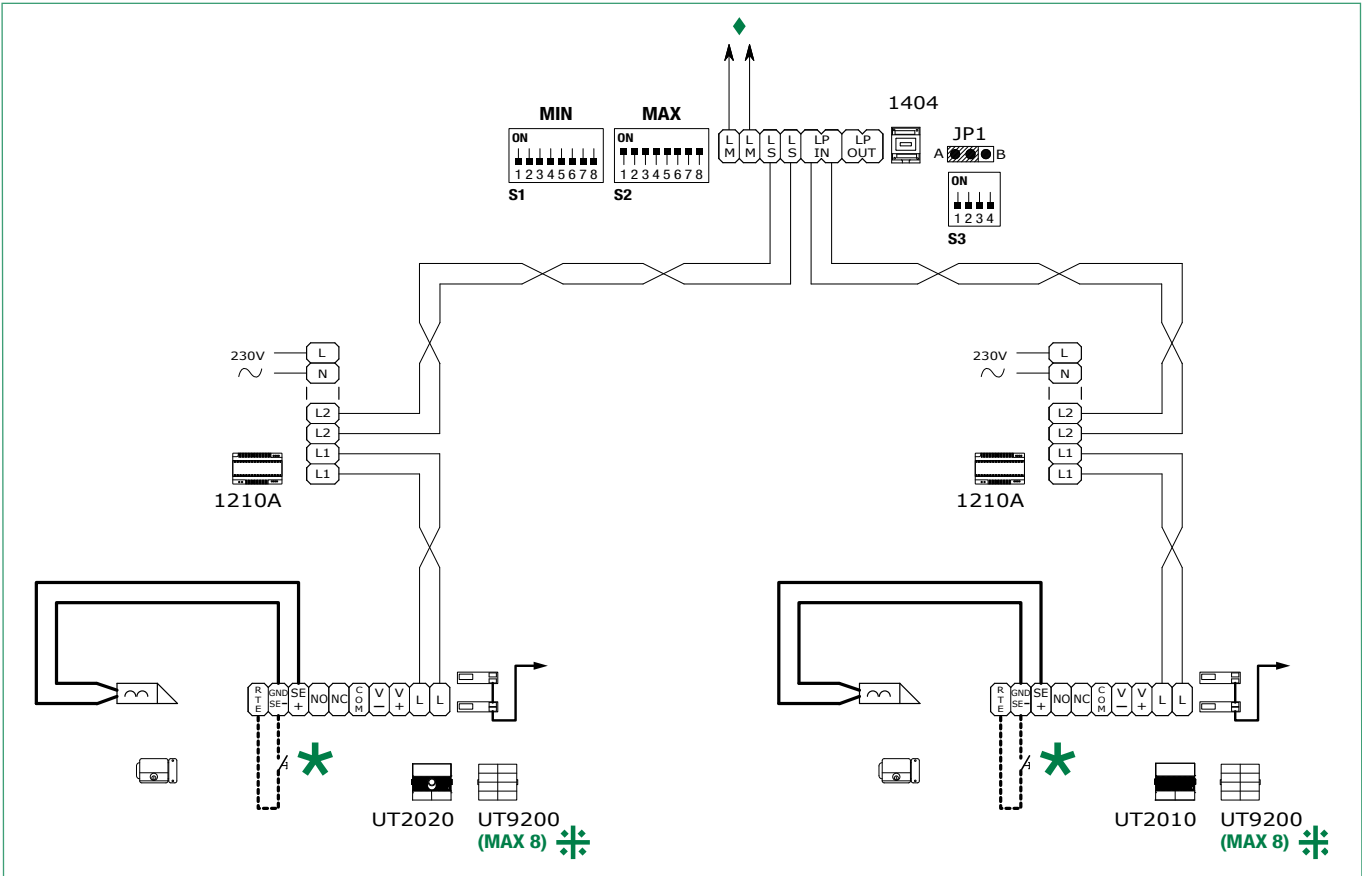
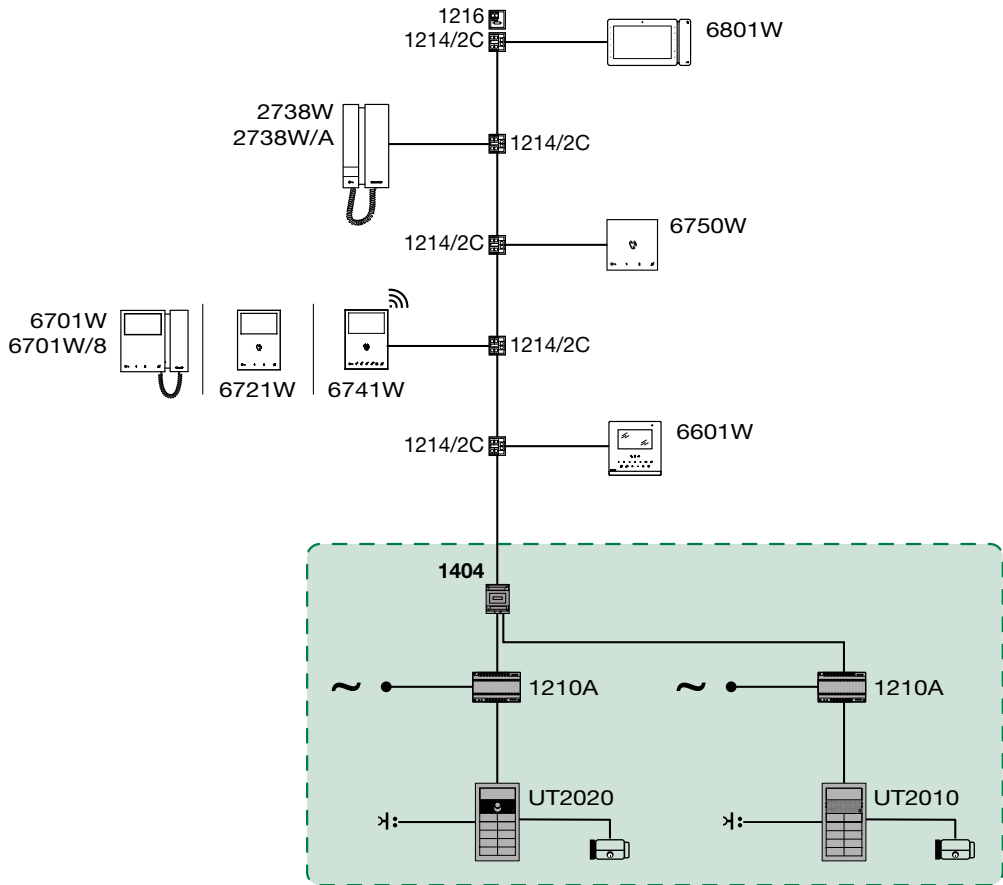
- ✦ Max 20 m. Local door-opener button.
- ✦ For systems with over 80 users, provide an additional power supply

Digital Entrance Panel Variant with UT9279M



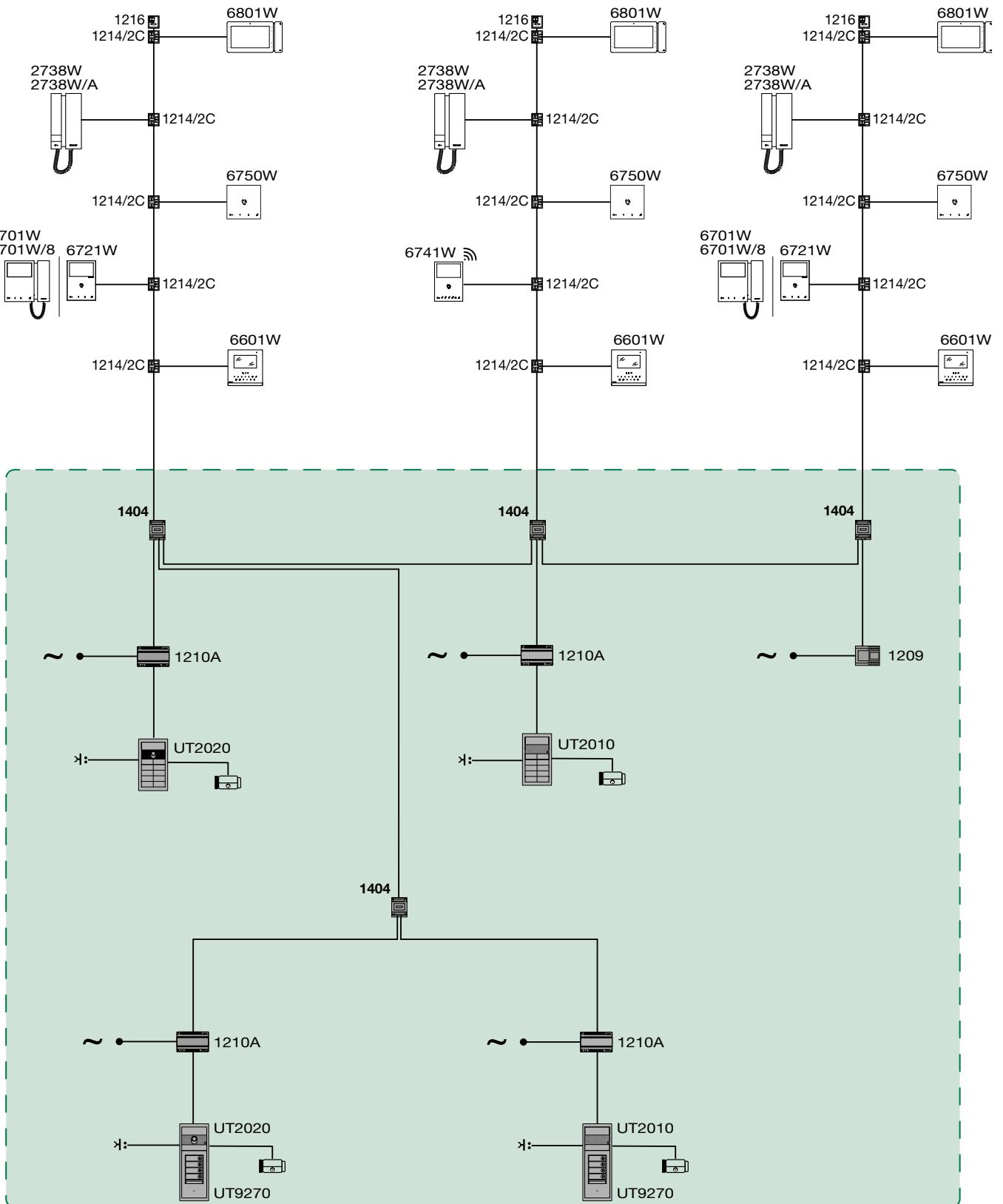
- ✦ Max 20 m. Local door-opener button.

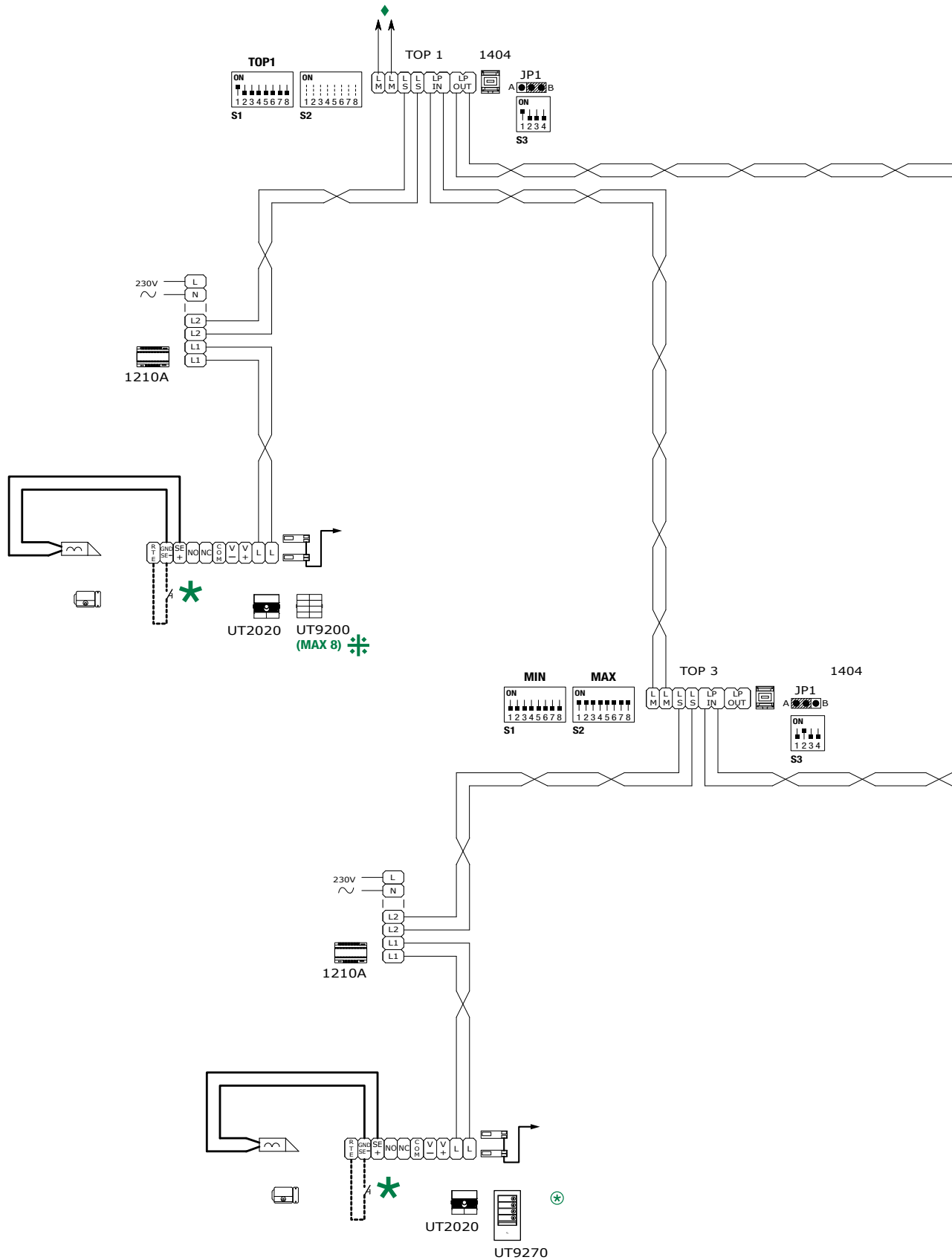
System with a single riser with two entrances, one of which is audio



- ◆ Video entry system riser (see: **"VIDEO ENTRY SYSTEM RISER"**)
- ★ **Max 20 m.** Local door-opener button.
- ⚡ For configurations other than those indicated in the diagram, refer to the full manual for product number UT2020/UT2010.

System with 2 main entrances in TOP mode and 3 risers, 2 of which are equipped with a secondary entrance panel



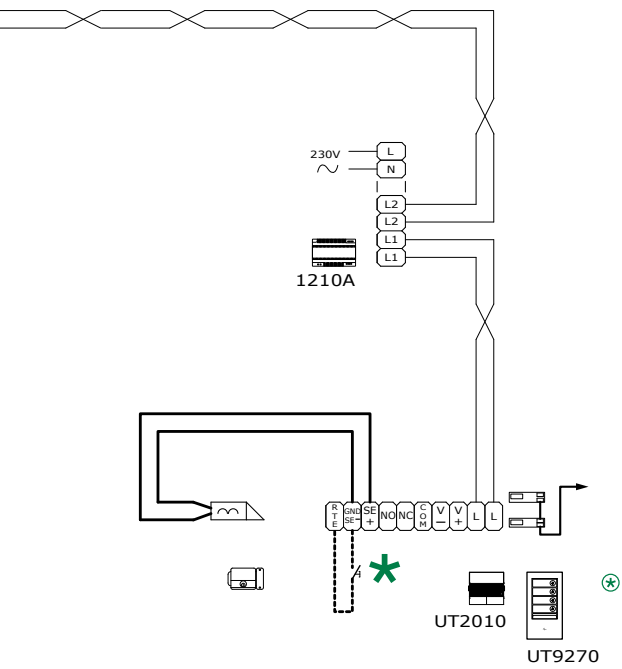
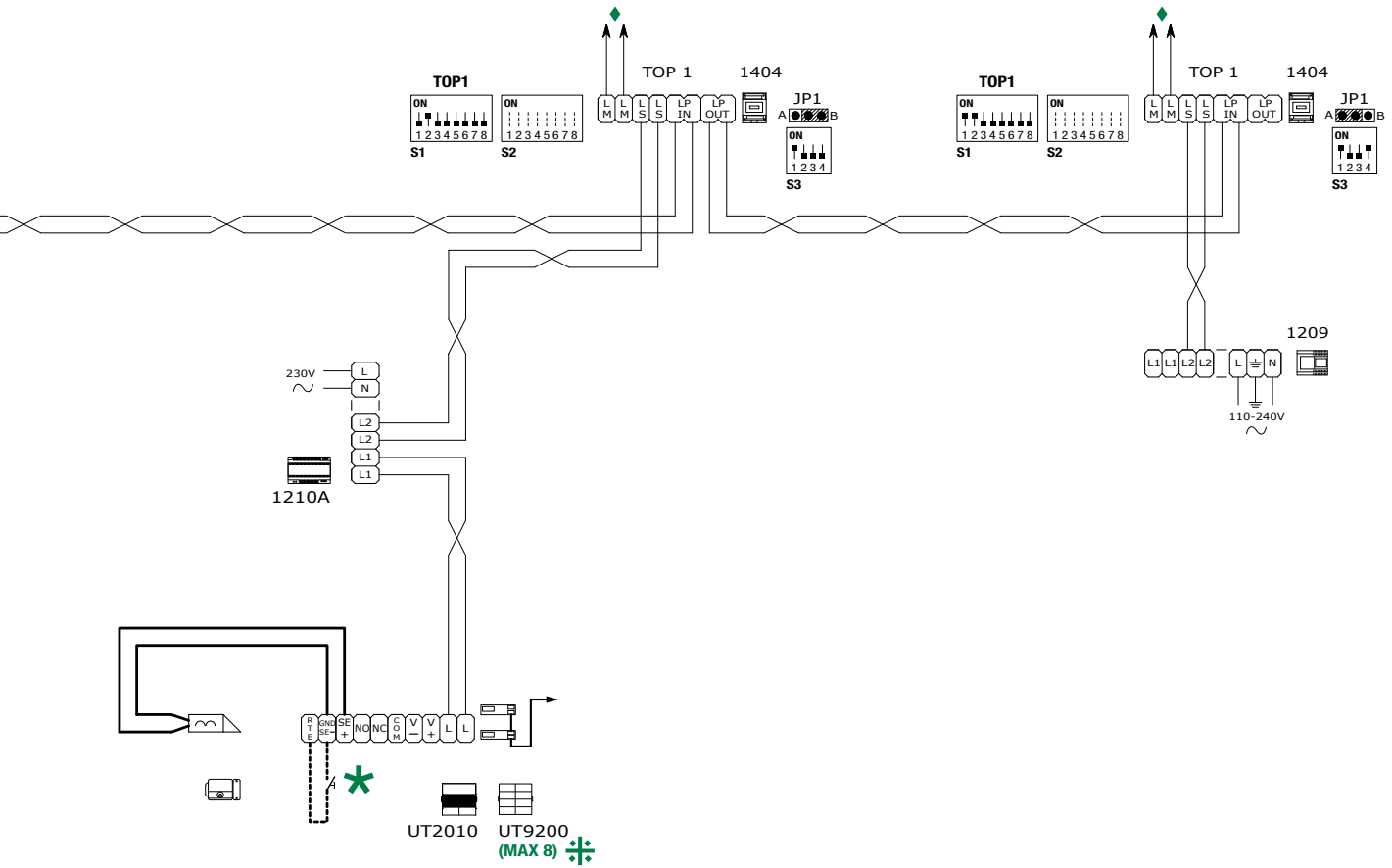


◆ Video entry system riser (see: **“VIDEO ENTRY SYSTEM RISER”**)

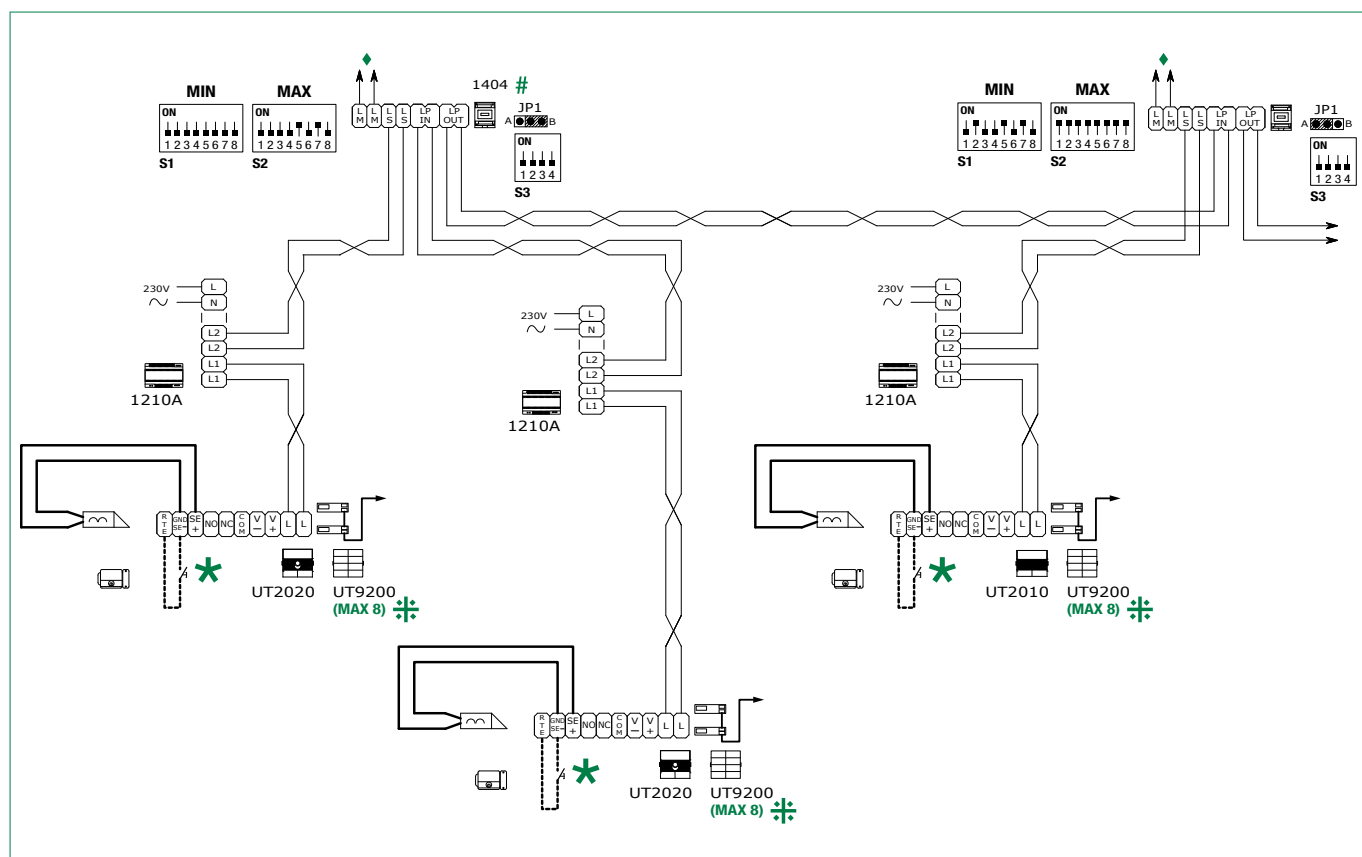
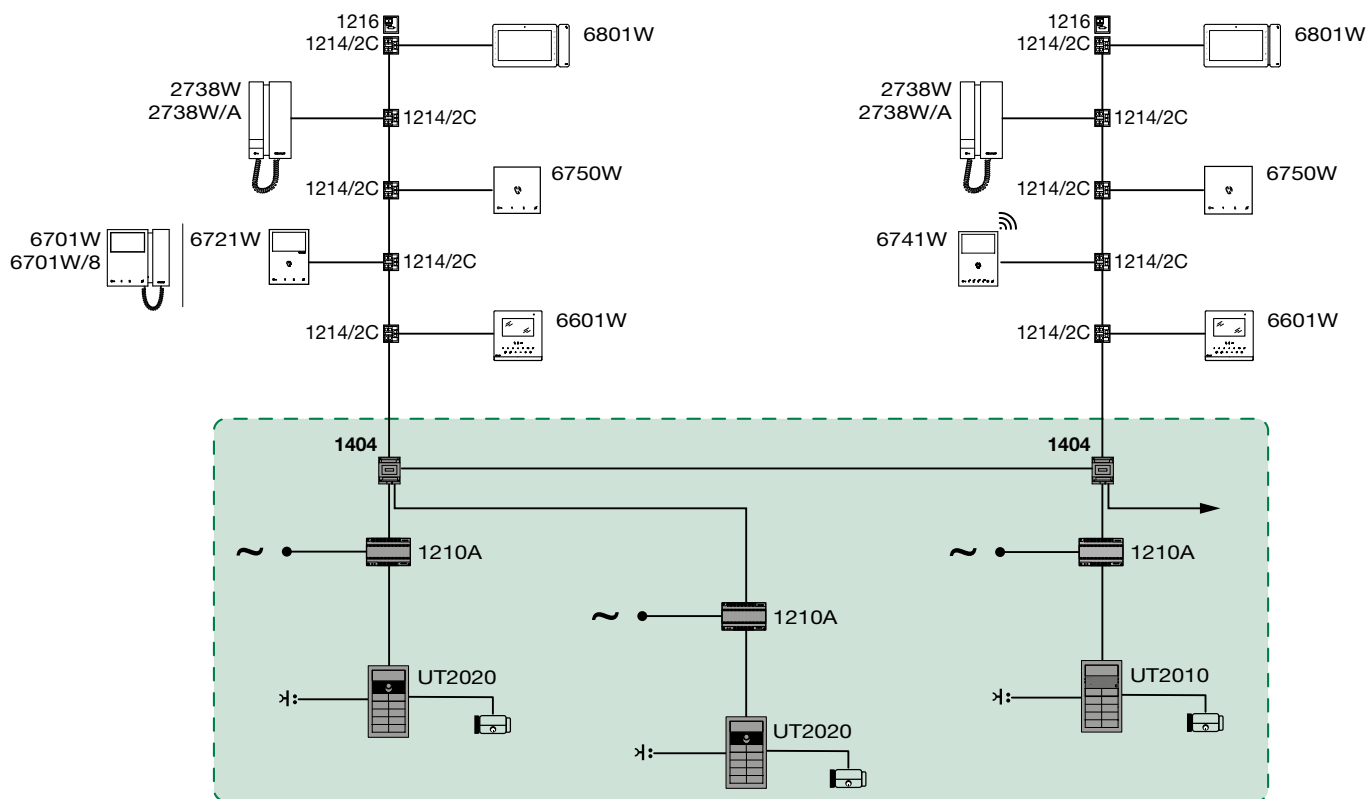
* **Max 20 m.** Local door-opener button.

☆ Main port in TOP mode.

⊛ For configurations other than those indicated in the diagram, refer to the full manual for product number UT2020/UT2010.

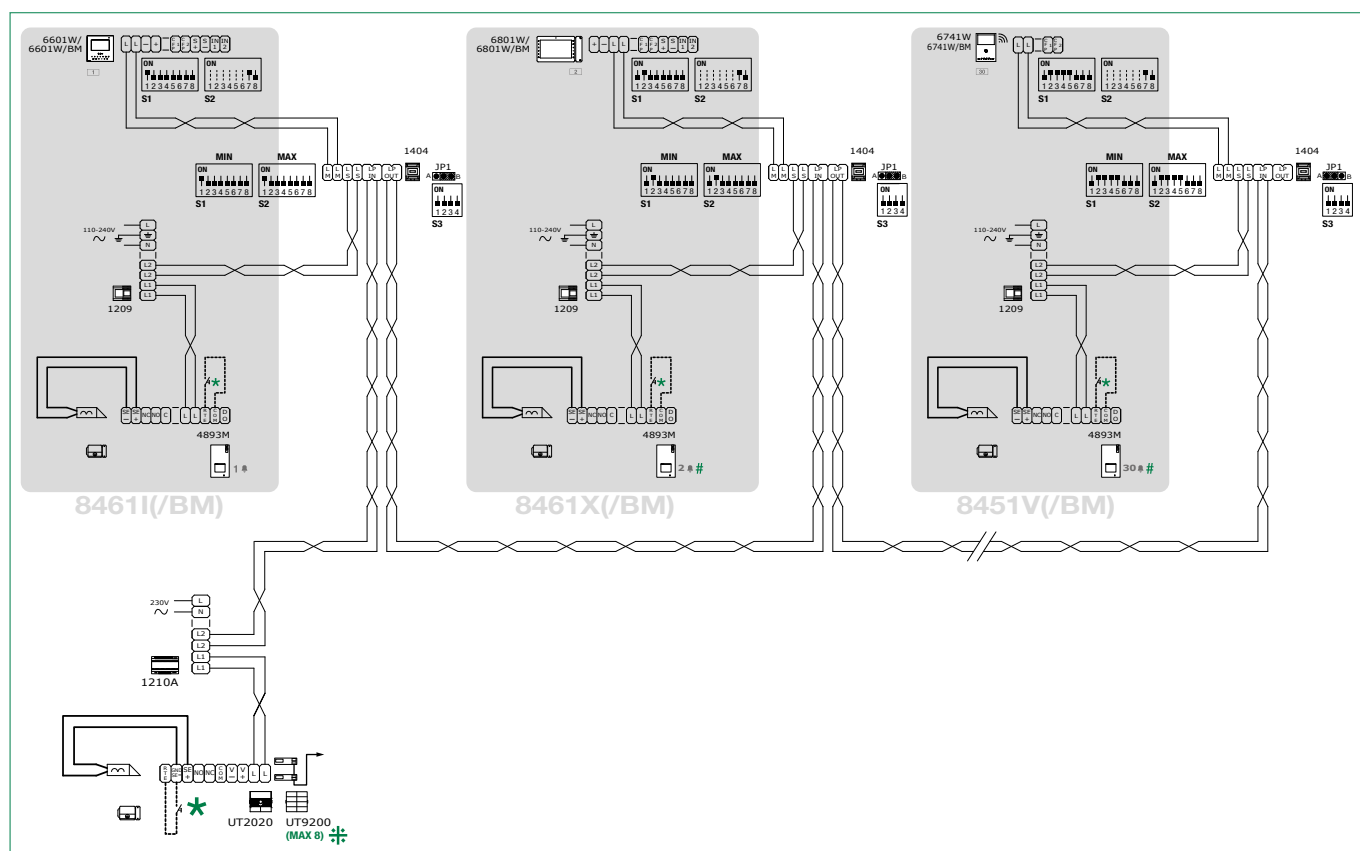
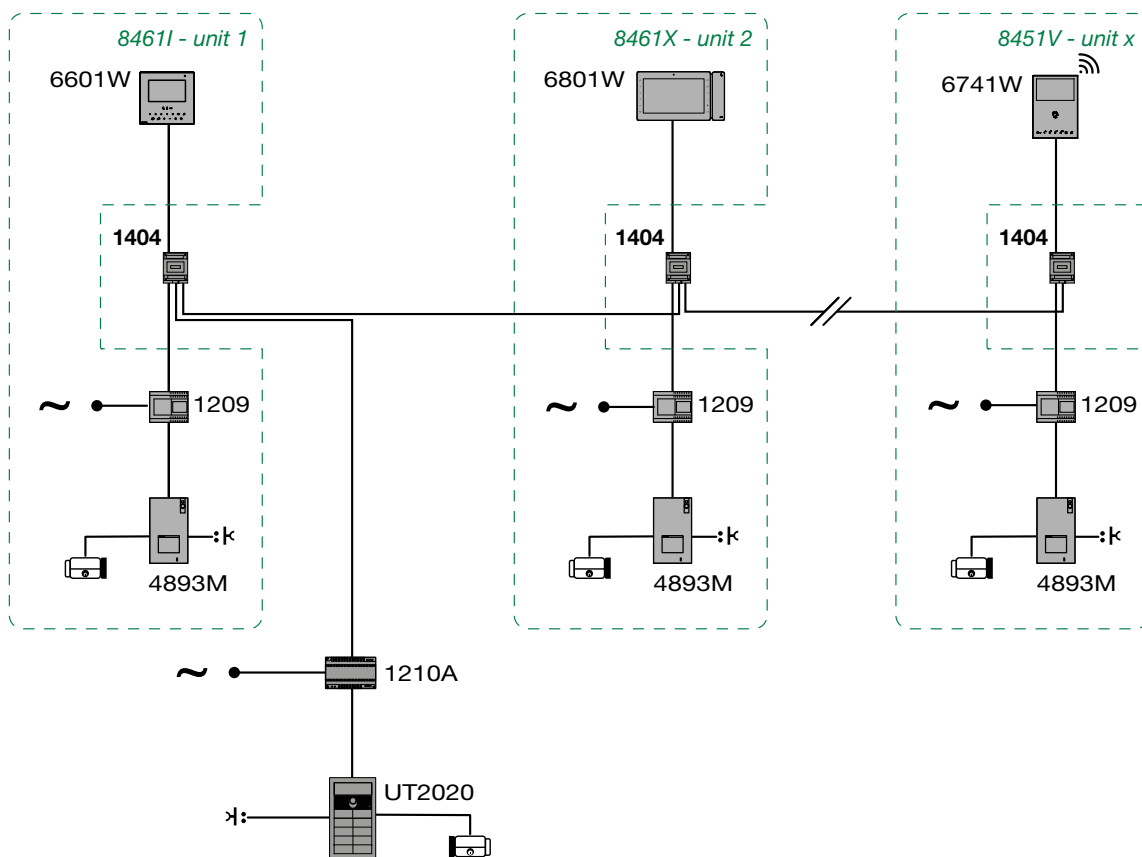


System with 2 risers, one main entrance and n secondary entrances



- ◆ Video entry system riser (see: **“VIDEO ENTRY SYSTEM RISER”**)
- ★ Max 20 m. Local door-opener button.
- # CAUTION! Separate switching devices must manage code ranges which are not overlapping.
- ⚡ For configurations other than those indicated in the diagram, refer to the full manual for product number UT2020/UT2010.

System with n single-family units and one main entrance panel (cascade connection)

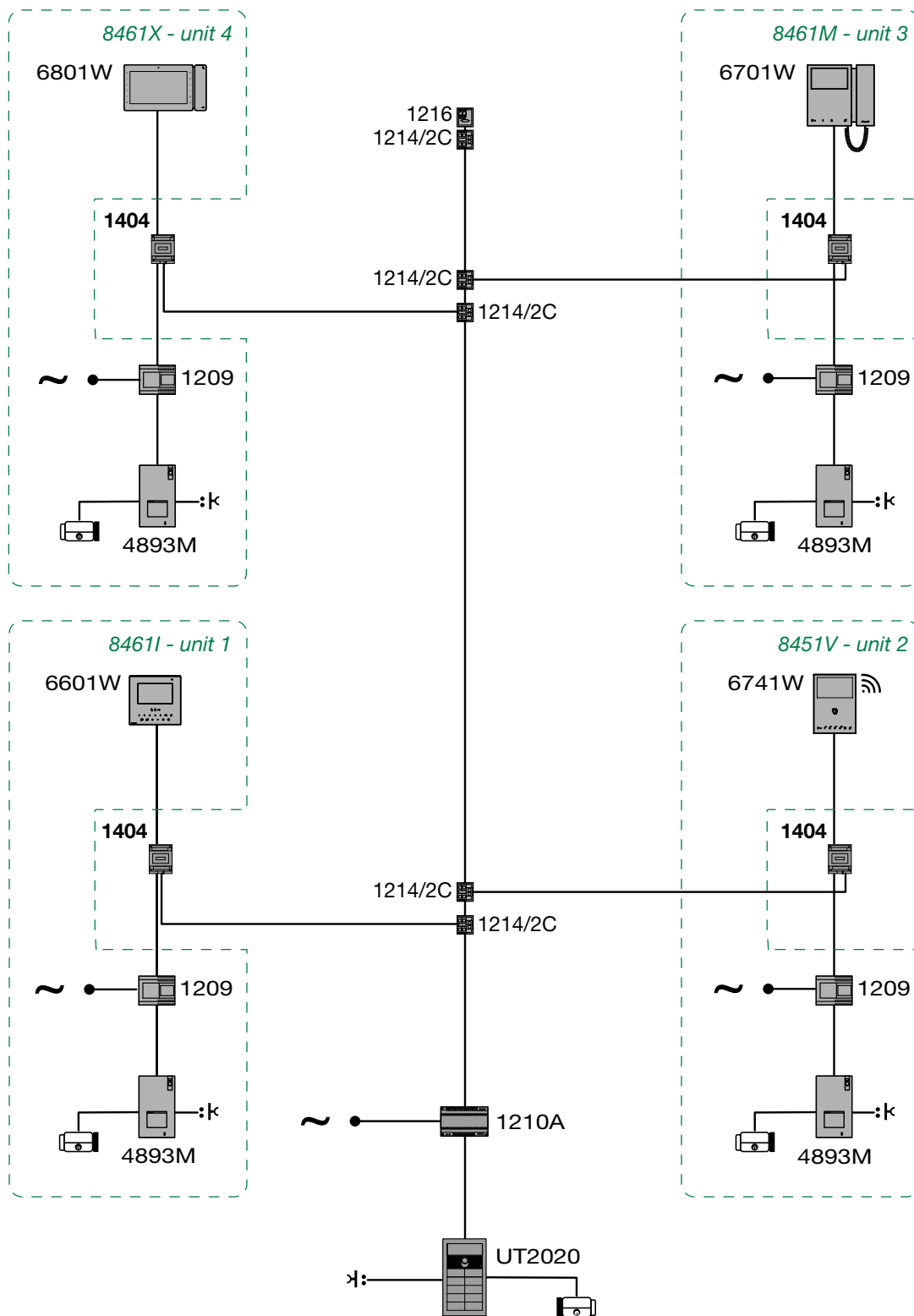


★ Max 20 m. Local door-opener button.

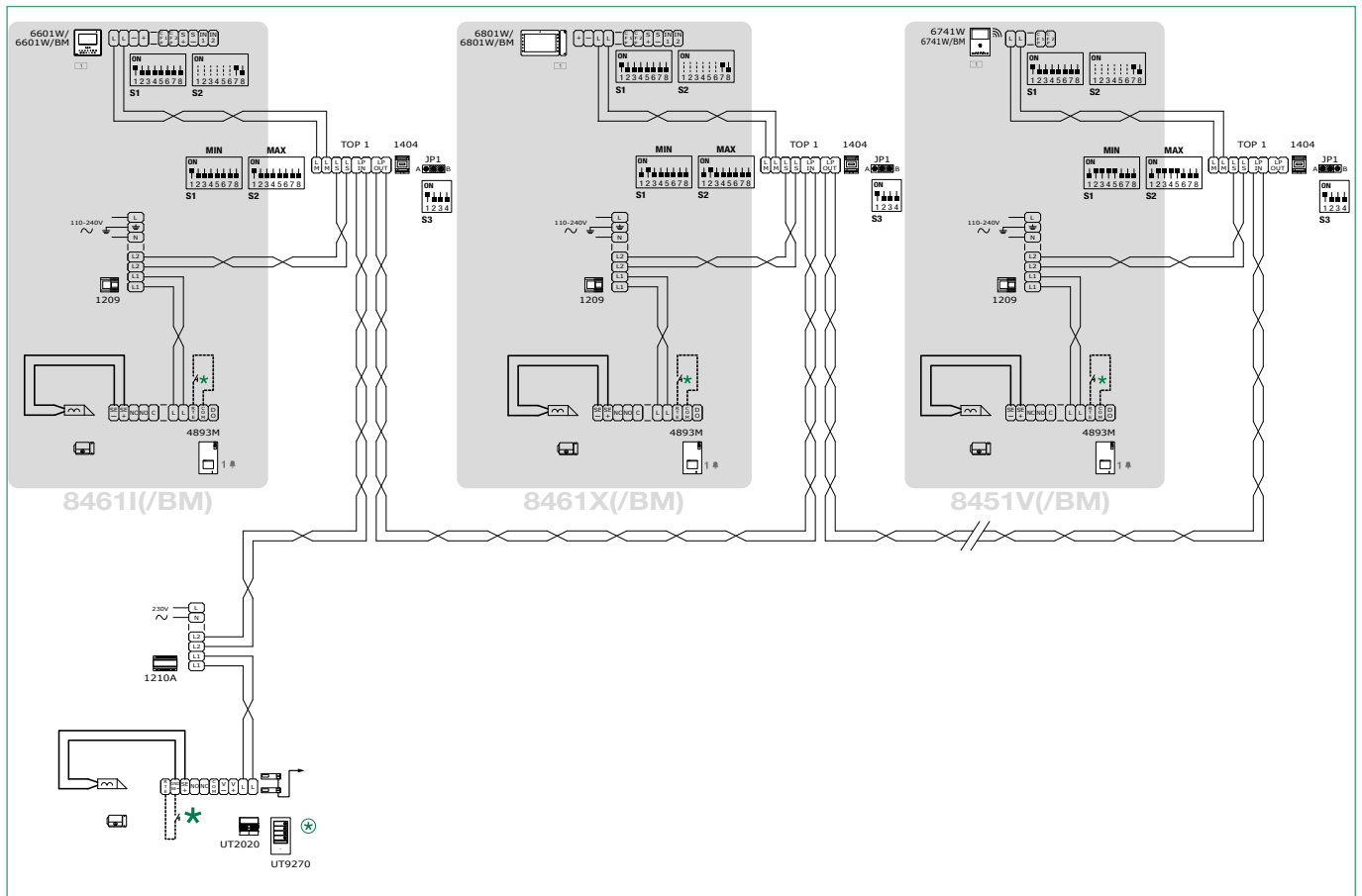
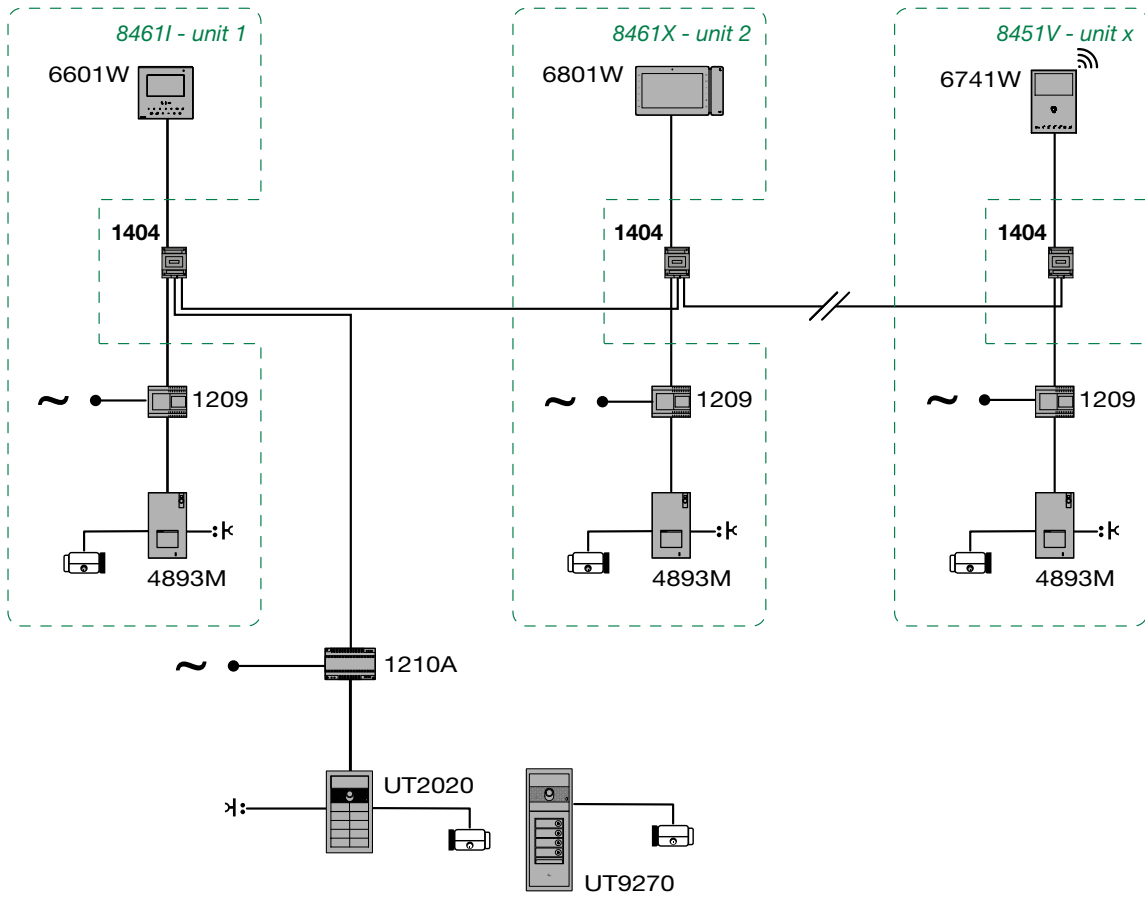
For call address programming, please refer to the full manual for Art. 4893M or the corresponding section of the system manual.

⚡ For configurations other than those indicated in the diagram, refer to the full manual for product number UT2020.

System with n single-family units and a main entrance panel (branch connection)



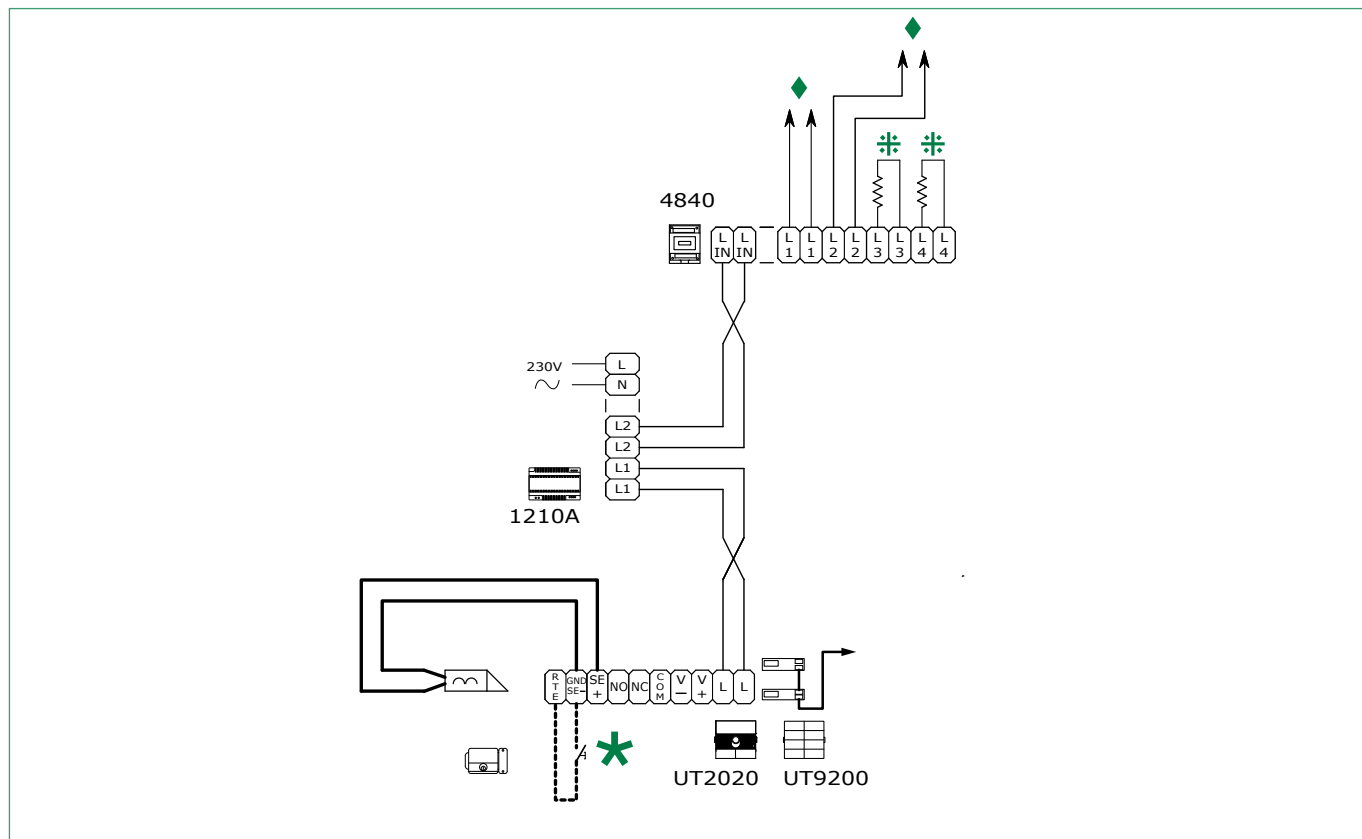
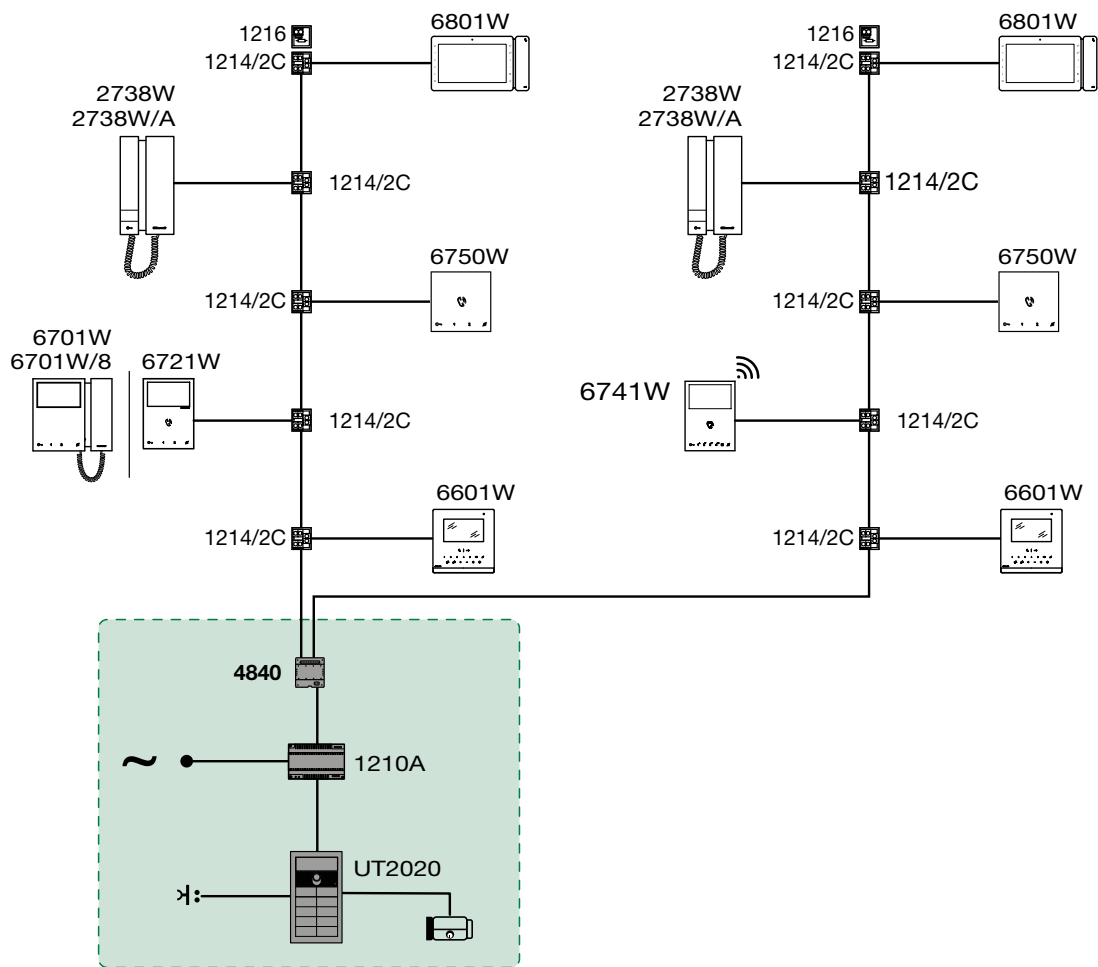
System with n single-family units and a main entrance panel in TOP mode (cascade connection)



★ Max 20 m. Local door-opener button.

⊕ Main port in TOP mode.

System with video distribution unit, 2 risers and an entrance panel

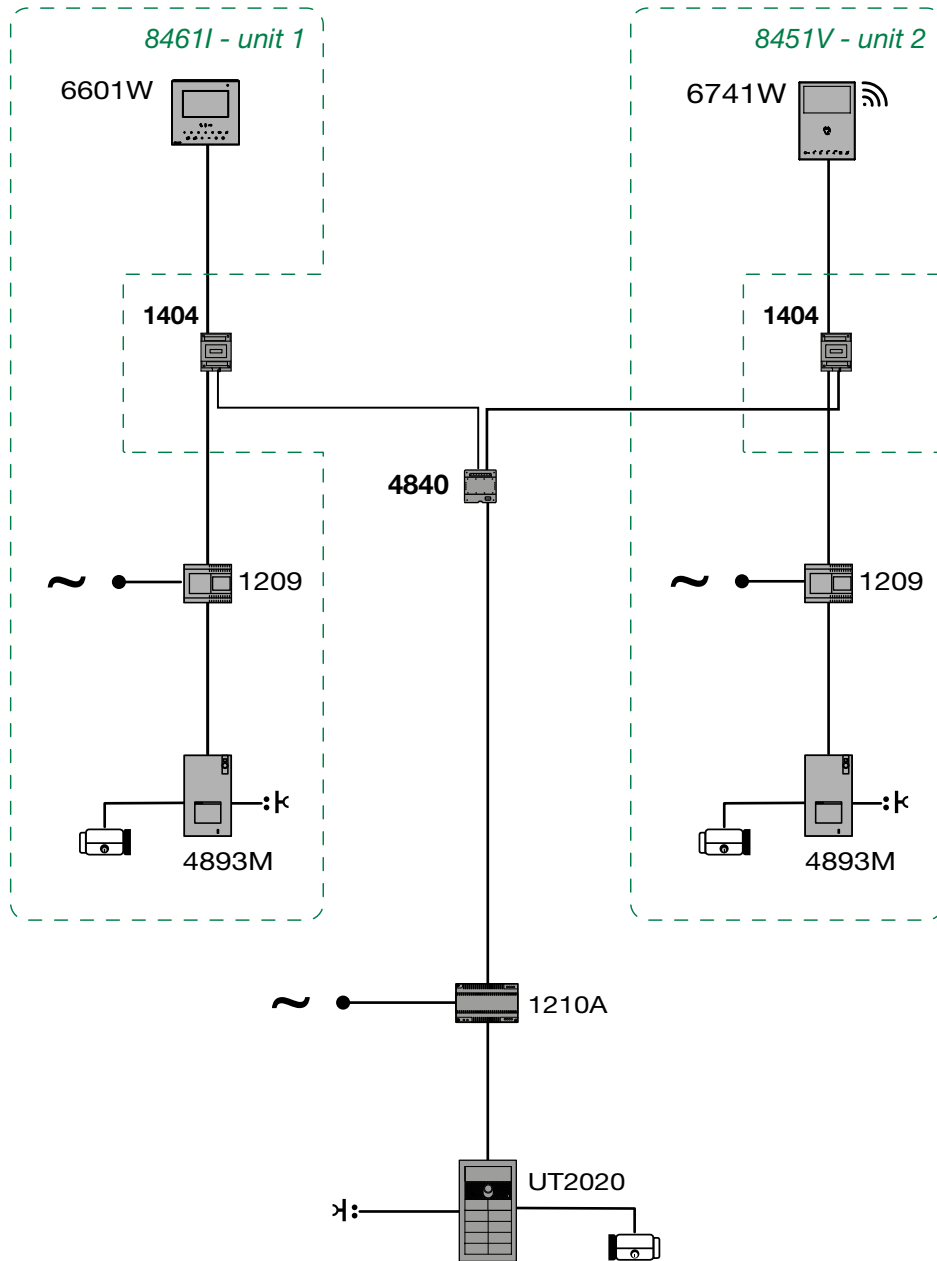


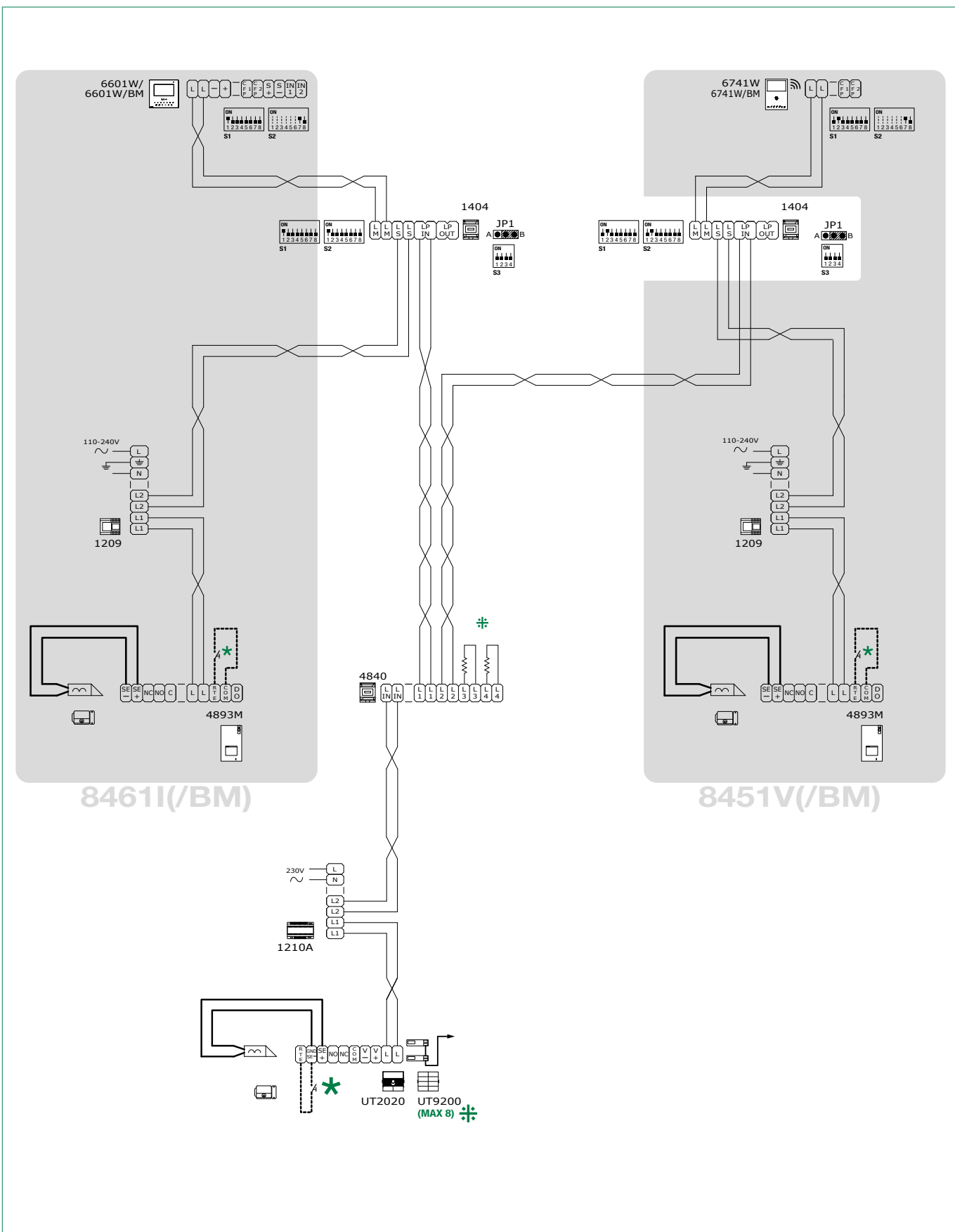
◆ Video entry system riser (see: **"VIDEO ENTRY SYSTEM RISER"**)

★ Max 20 m. Local door-opener button.

⚡ Only cut off the resistor for the output used.

System with video distribution unit, 2 single-family units and a main entrance panel

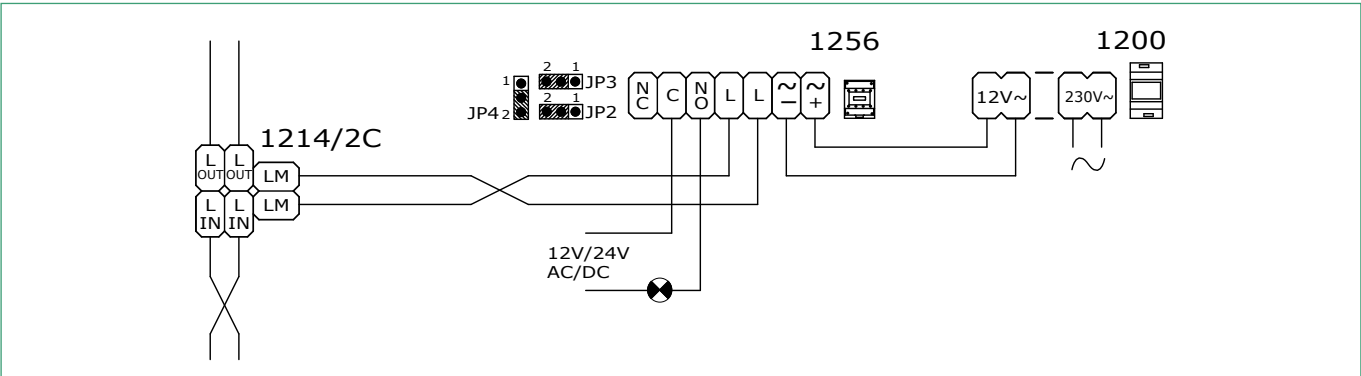
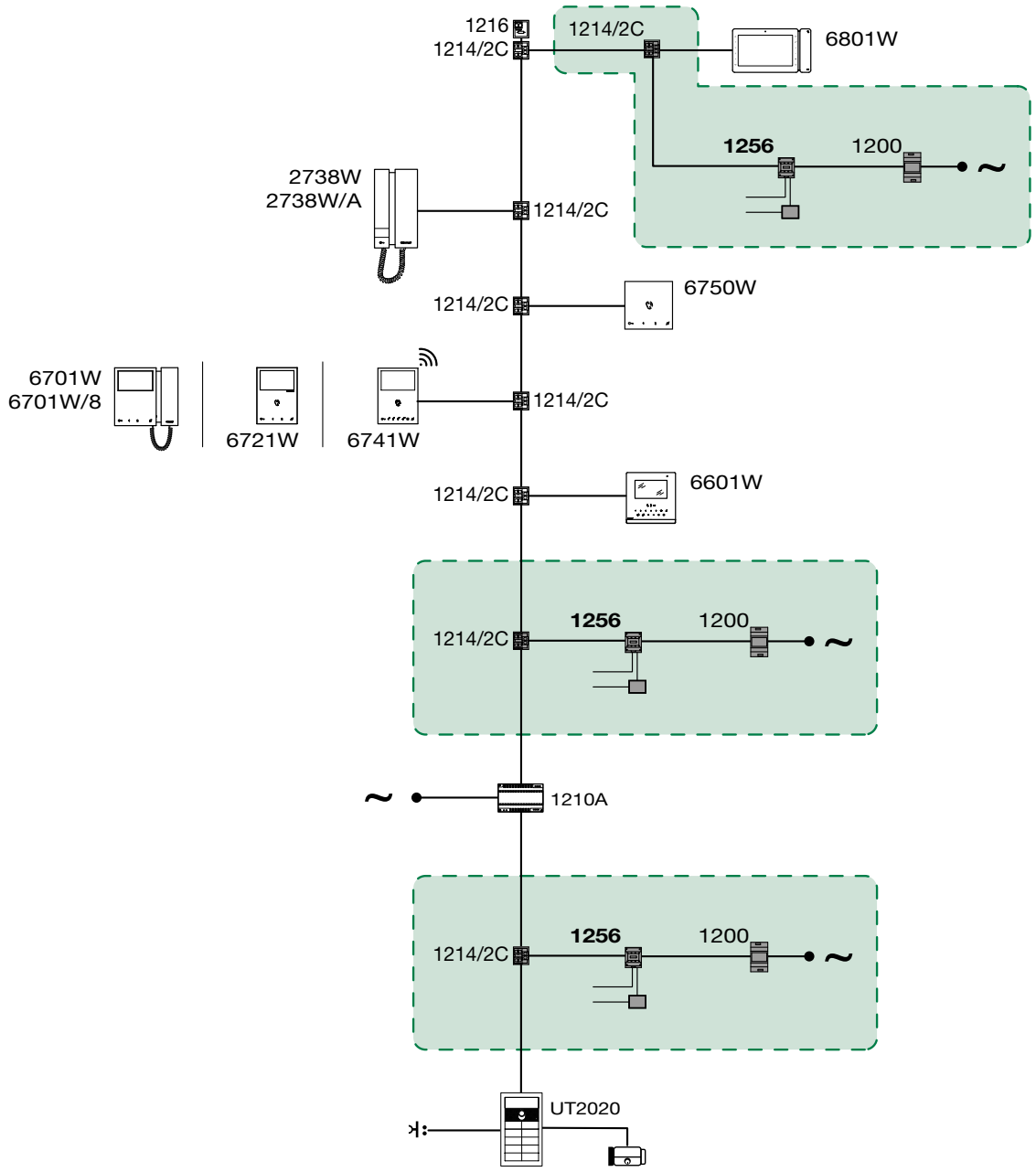




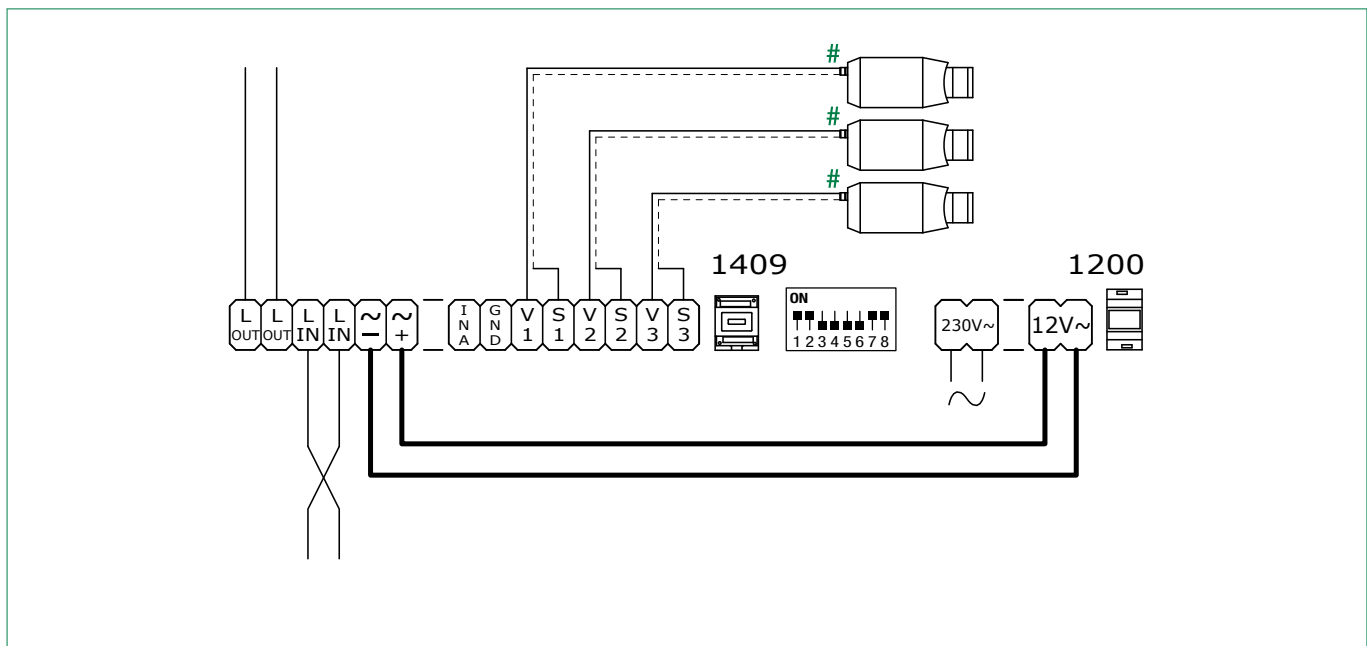
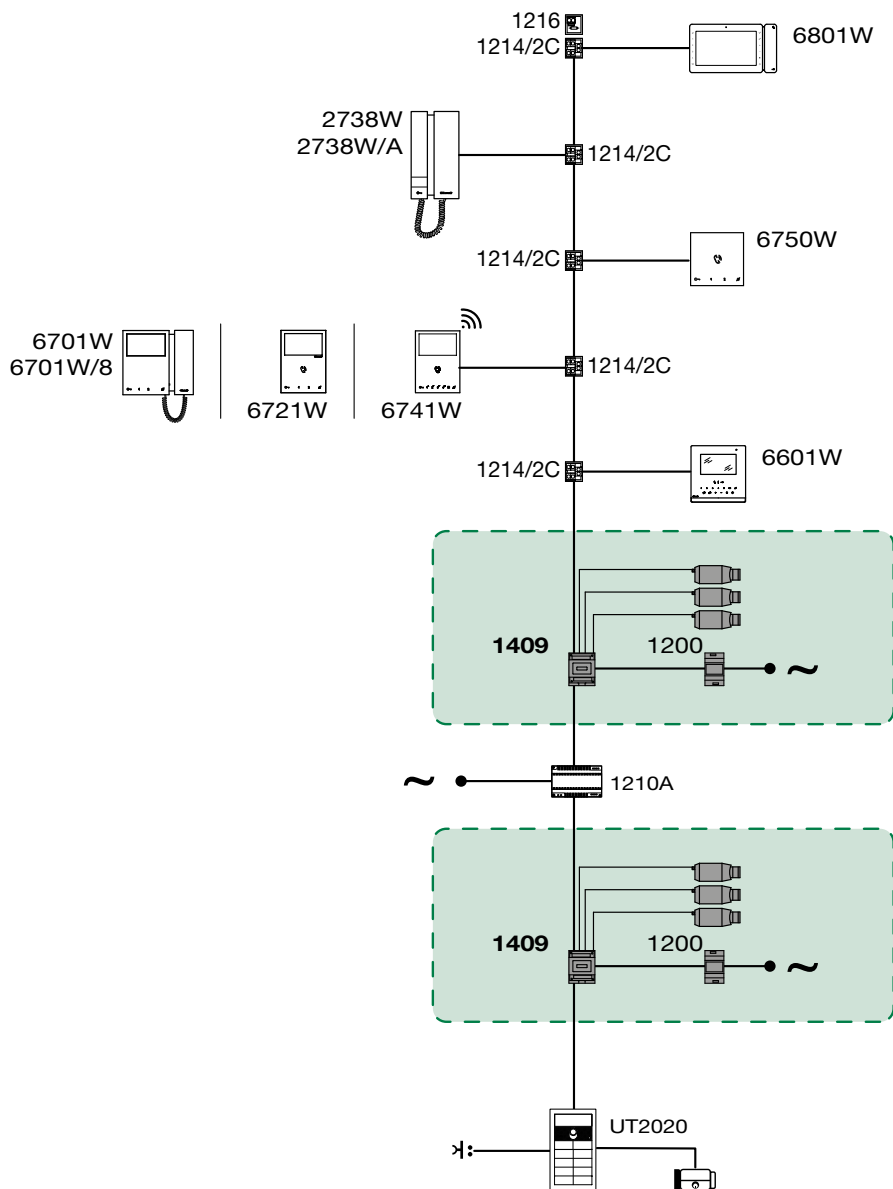
★ Max 20 m. Local door-opener button.

⚡ Only cut off the resistor for the output used.

Use of actuator relay Art. 1256

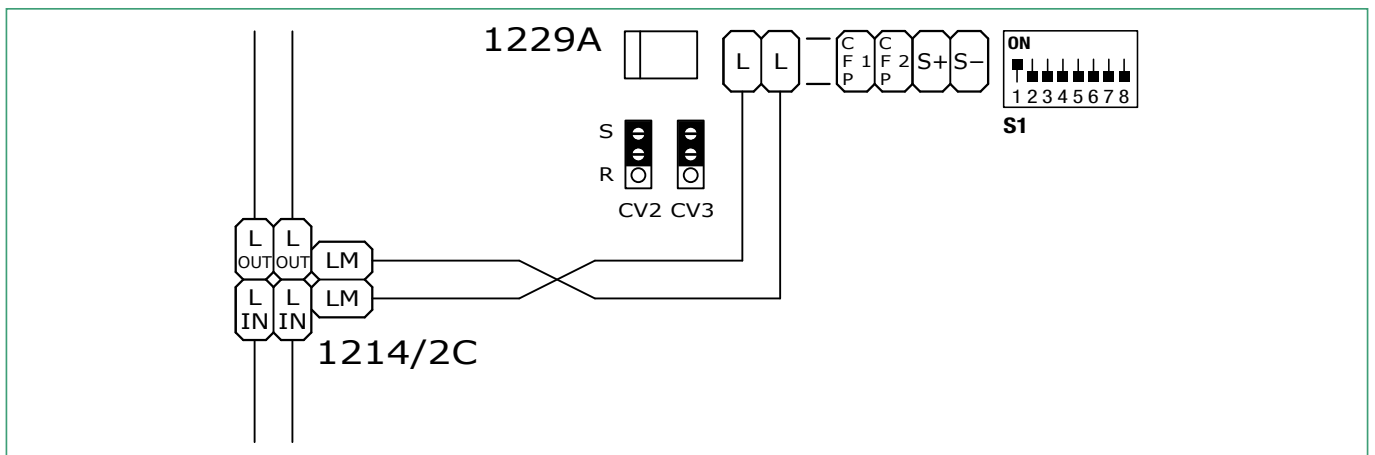
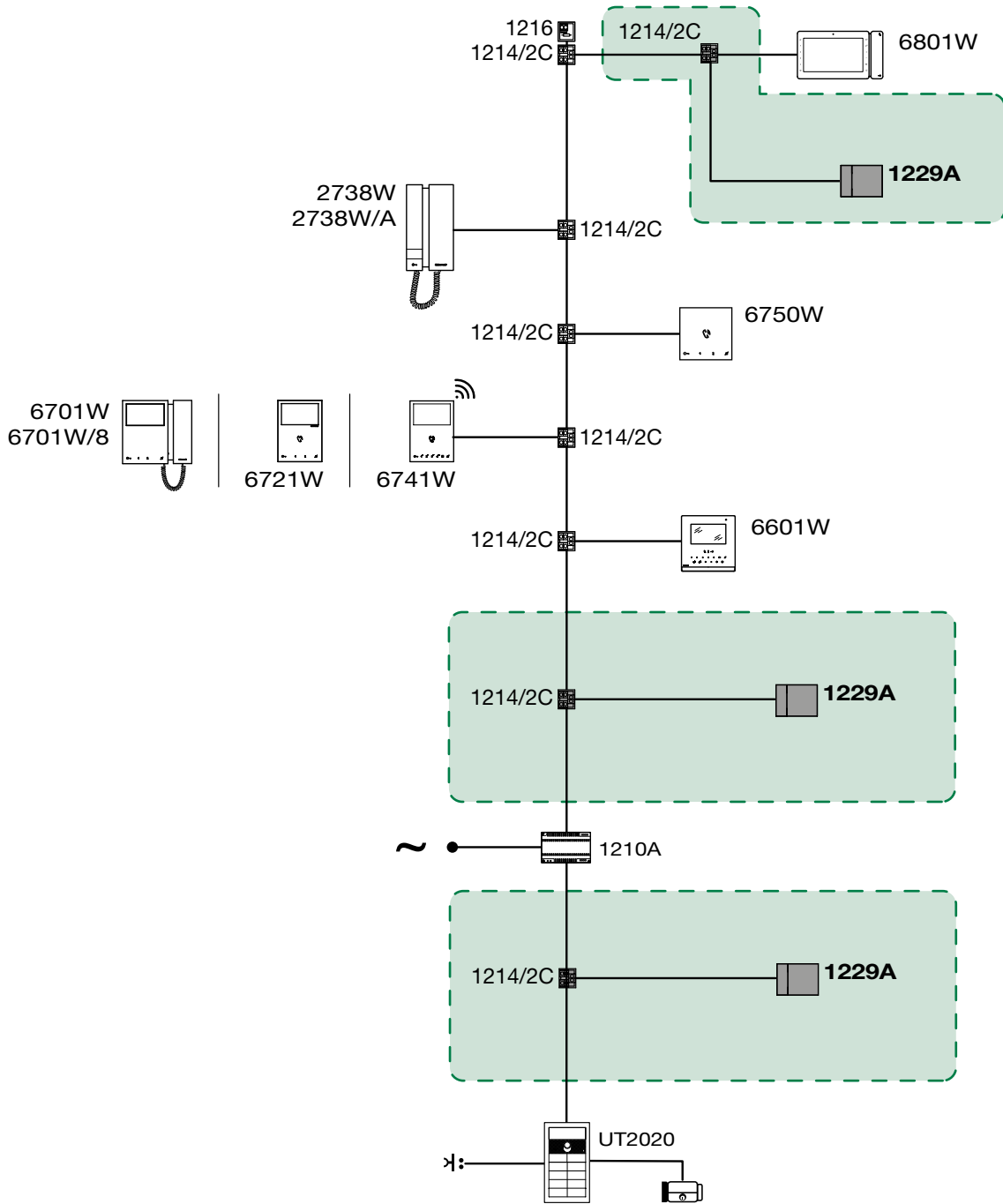


Use of remote camera module Art. 1409



Requires separate power supply.

Use of additional ringtone Art. 1229A



CERTIFIED MANAGEMENT SYSTEMS



www.comelitgroup.com

Via Don Arrigoni, 5 - 24020 Rovetta (BG) - Italy

 **Comelit**[®]
Passion. Technology. Design.