

EN

TECHNICAL  
MANUAL



**SIMPLEBUS2**

Simplebus2 Audio System

 **Comelit**<sup>®</sup>  
Passion. Technology. Design.

# Warning

## Intended use

This Comelit product has been designed and manufactured for use in the creation of audio and video communication systems in residential, commercial, industrial and public buildings.

## Installation

All activities connected to the installation of Comelit products must be carried out by qualified technical personnel, with careful observation of the indications provided in the Manuals / Instruction sheets supplied with those products.

## Wires

Disconnect the power supply before carrying out any operations on the wiring.

Use wires with a cross-section suited to the distances involved, observing the instructions provided in the system manual.

We advise against running the system wires through the same duct as power cables (230V or higher).

## Safe usage

To ensure Comelit products are used safely:

- carefully observe the indications provided in the Manuals / Instruction sheets,
- make sure the system created using Comelit products has not been tampered with / damaged.

## Maintenance

Comelit products do not require maintenance aside from routine cleaning, which should be carried out in accordance with the indications provided in the Manuals / Instruction sheets.

Any repairs must be carried out:

- for the products themselves, exclusively by **Comelit Group S.p.A.**,
- for the systems, by qualified technical personnel.

## Disclaimer

**Comelit Group S.p.A.** does not assume any responsibility for

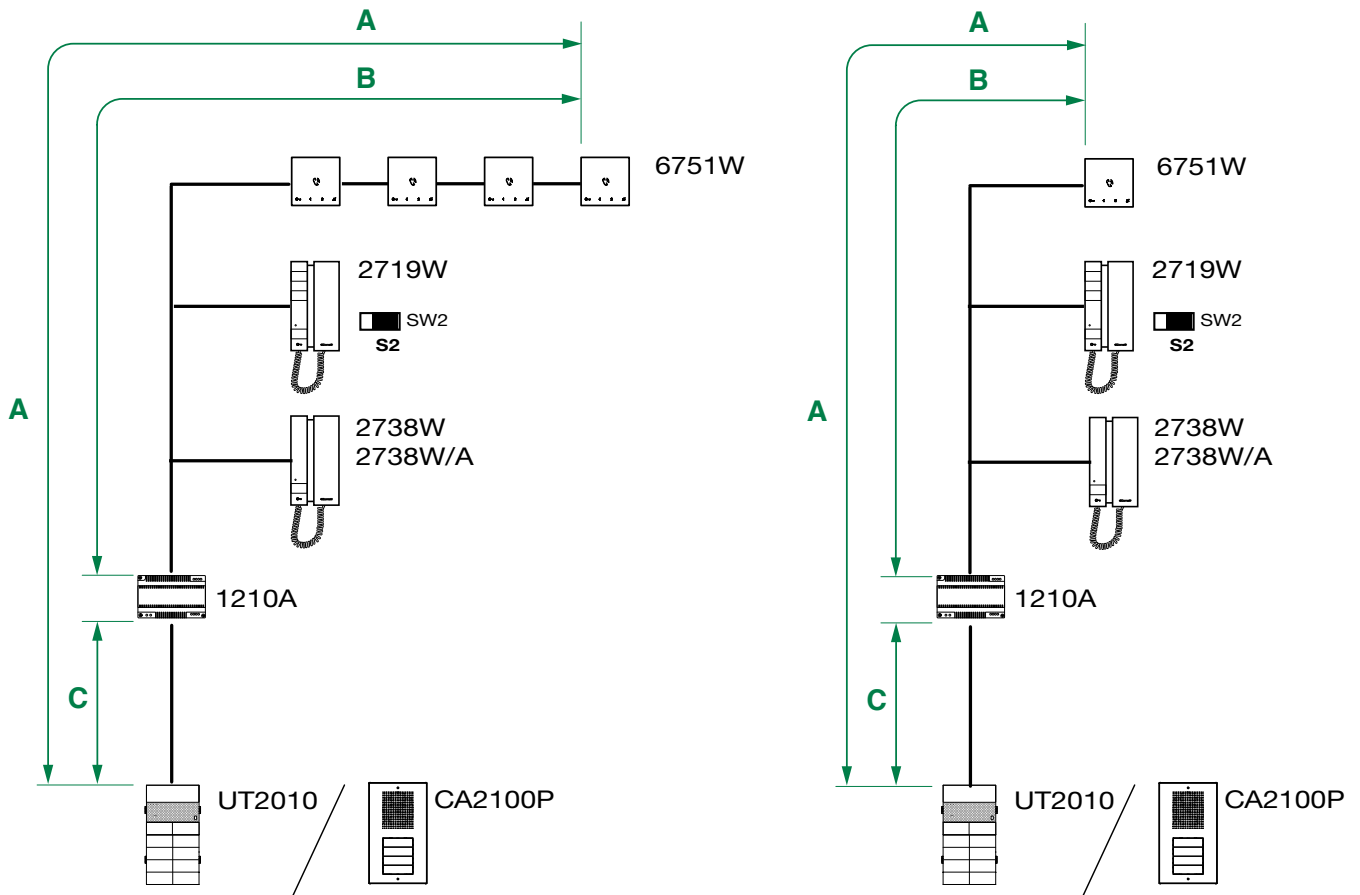
- any purpose other than the intended use,
- failure to observe the indications and warnings contained in this Manual / Instruction sheet.

**Comelit Group S.p.A.** reserves the right to change the information provided in this Manual / Instruction Sheet at any time and without prior notice.







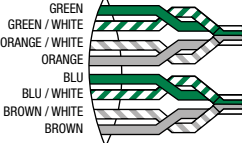
# Table of contents

Warning .....	2
System functions .....	3
Operating distances .....	3
Maximum system expansion .....	4
Maximum expansion per apartment .....	4
Example of maximum expansion per apartment .....	4
Wiring diagrams .....	5
Apartment block door-entry phone system .....	5
Variant with Ciao entrance panel .....	6
System with 2 main entrances .....	7
System with 2 risers, one main entrance and n secondary entrances	8

# System functions


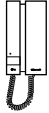



## Operating distances

	A MAX	B MAX	C MAX
Comelit Art. 4577/4579 1 mm <sup>2</sup> (Ø 1.2 mm AWG 17) 	<b>260 m</b> (850 feet)	<b>130 m</b> (425 feet)	<b>130 m</b> (425 feet)
UTP5 cat. 5 0.2 mm <sup>2</sup> (Ø 0.5 mm AWG 24) 	<b>80 m</b> (260 feet)	<b>40 m</b> (130 feet)	<b>40 m</b> (130 feet)
0.28 mm <sup>2</sup> (Ø 0.6 mm AWG 23) 	<b>100 m</b> (328 feet)	<b>50 m</b> (164 feet)	<b>50 m</b> (164 feet)
0.5 mm <sup>2</sup> (Ø 0.8 mm AWG 20) 	<b>140 m</b> (460 feet)	<b>70 m</b> (230 feet)	<b>70 m</b> (230 feet)
1 mm <sup>2</sup> (Ø 1.2 mm AWG 17) 	<b>200 m</b> (656 feet)	<b>100 m</b> (328 feet)	<b>100 m</b> (328 feet)
1.5 mm <sup>2</sup> (Ø 1.4 mm AWG 15) 	<b>80 m</b> (260 feet)	<b>40 m</b> (130 feet)	<b>40 m</b> (130 feet)
UTP5 cat. 5 0.2 mm <sup>2</sup> (Ø 0.5 mm AWG 24) <b>MULTI PAIR CABLE ‡</b> 	<b>260 m</b> (850 feet)	<b>130 m</b> (425 feet)	<b>130 m</b> (425 feet)

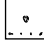
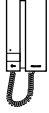
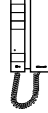
‡ UTP cable with multi-cable connection: FOLLOW THE COLOURS SHOWN IN THE DIAGRAM!

## Maximum system expansion

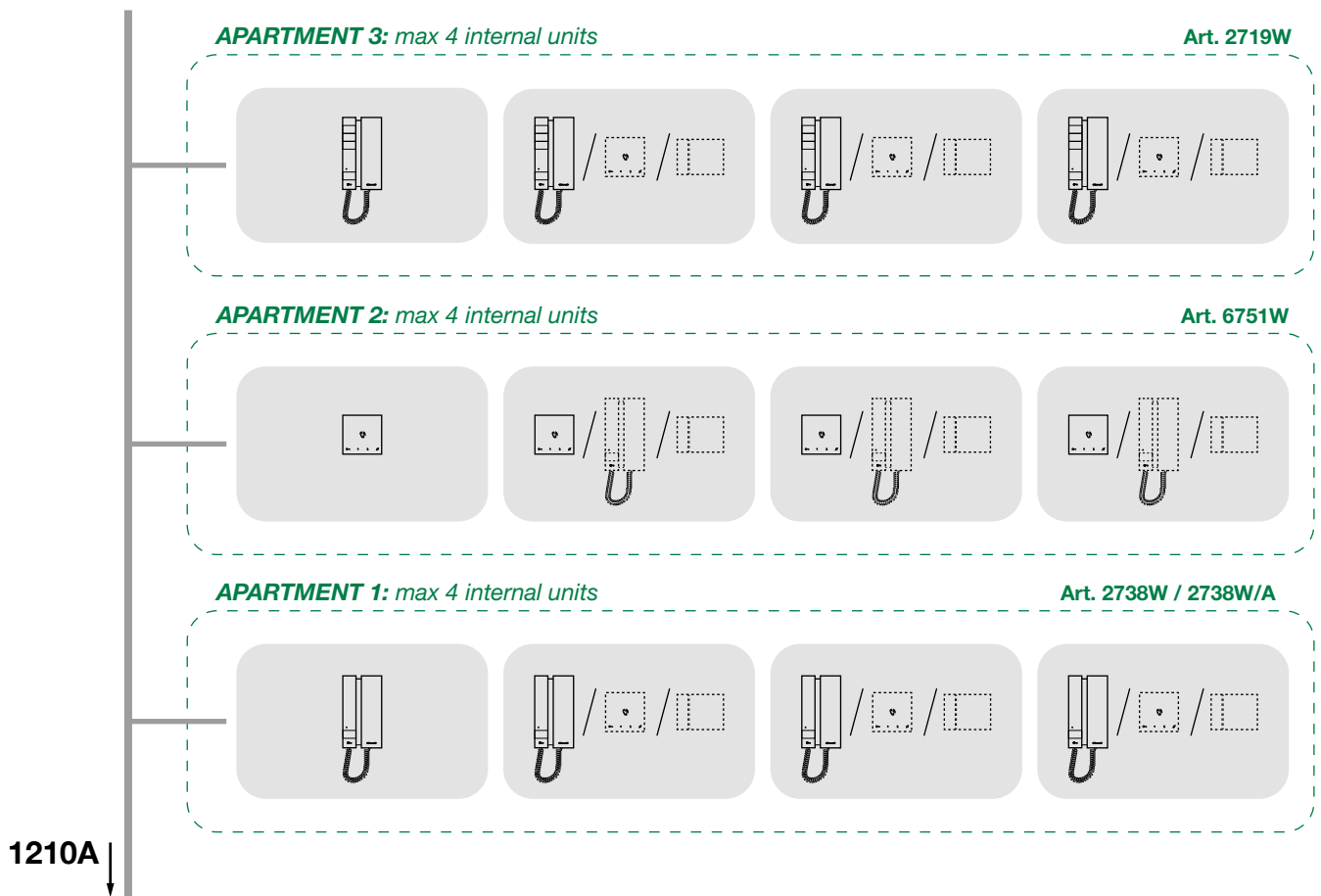
Devices	 6751W	 2738W 2738W/A	 2719W
Maximum number of door-entry phones that can be powered from art. 1210A	100 *	100 *	100 *
Call repetition devices that can be used	1229A	1229A	1229A

\* With the Ciao entrance panel, the system can manage up to 72 users by connecting to MAX 100 door-entry phones for every riser

## Maximum expansion per apartment

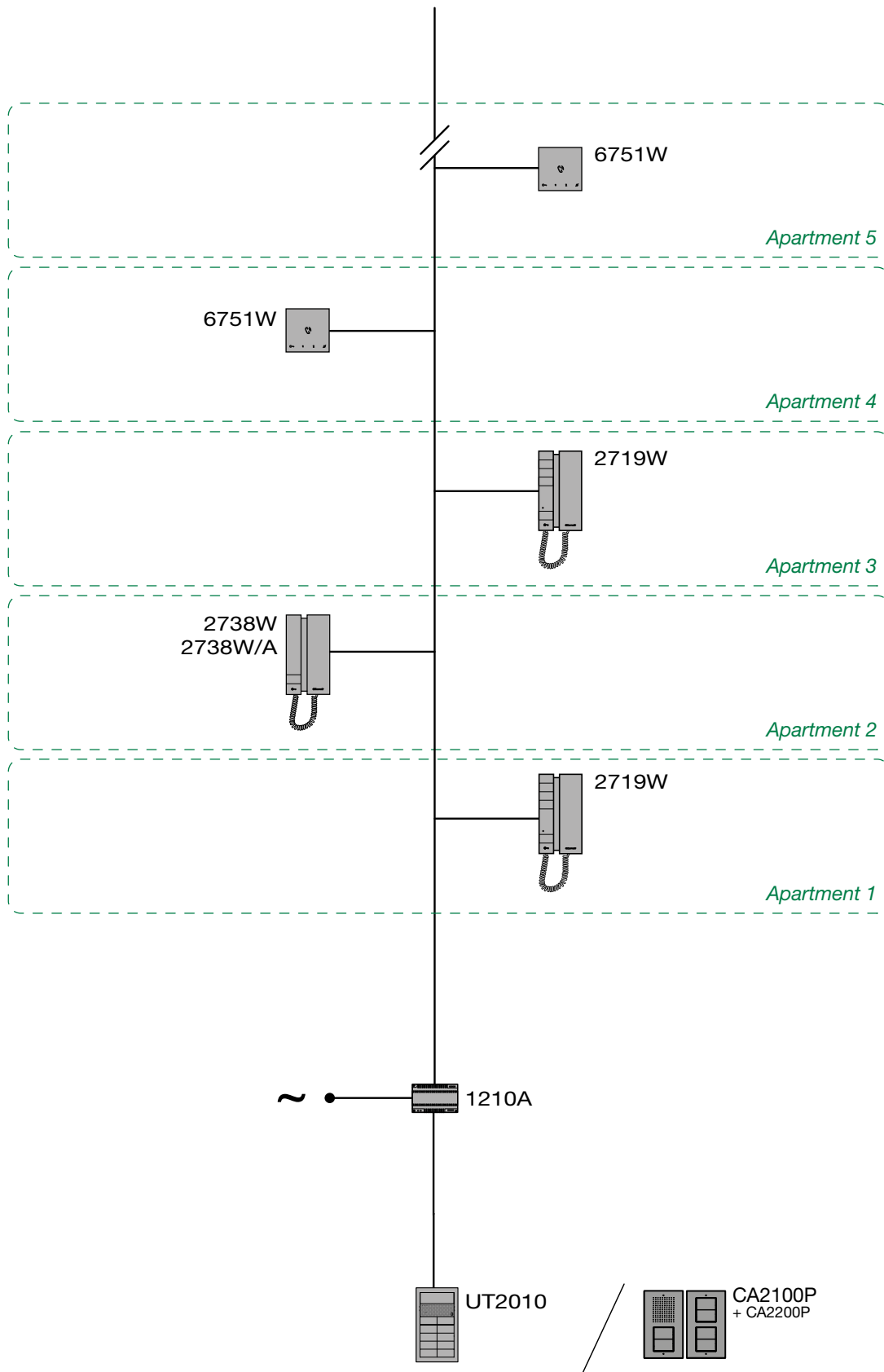
Devices	 6751W	 2738W 2738W/A	 2719W
Maximum number of internal units (including call repetition devices) with the same user code	4	4	4

### Example of maximum expansion per apartment

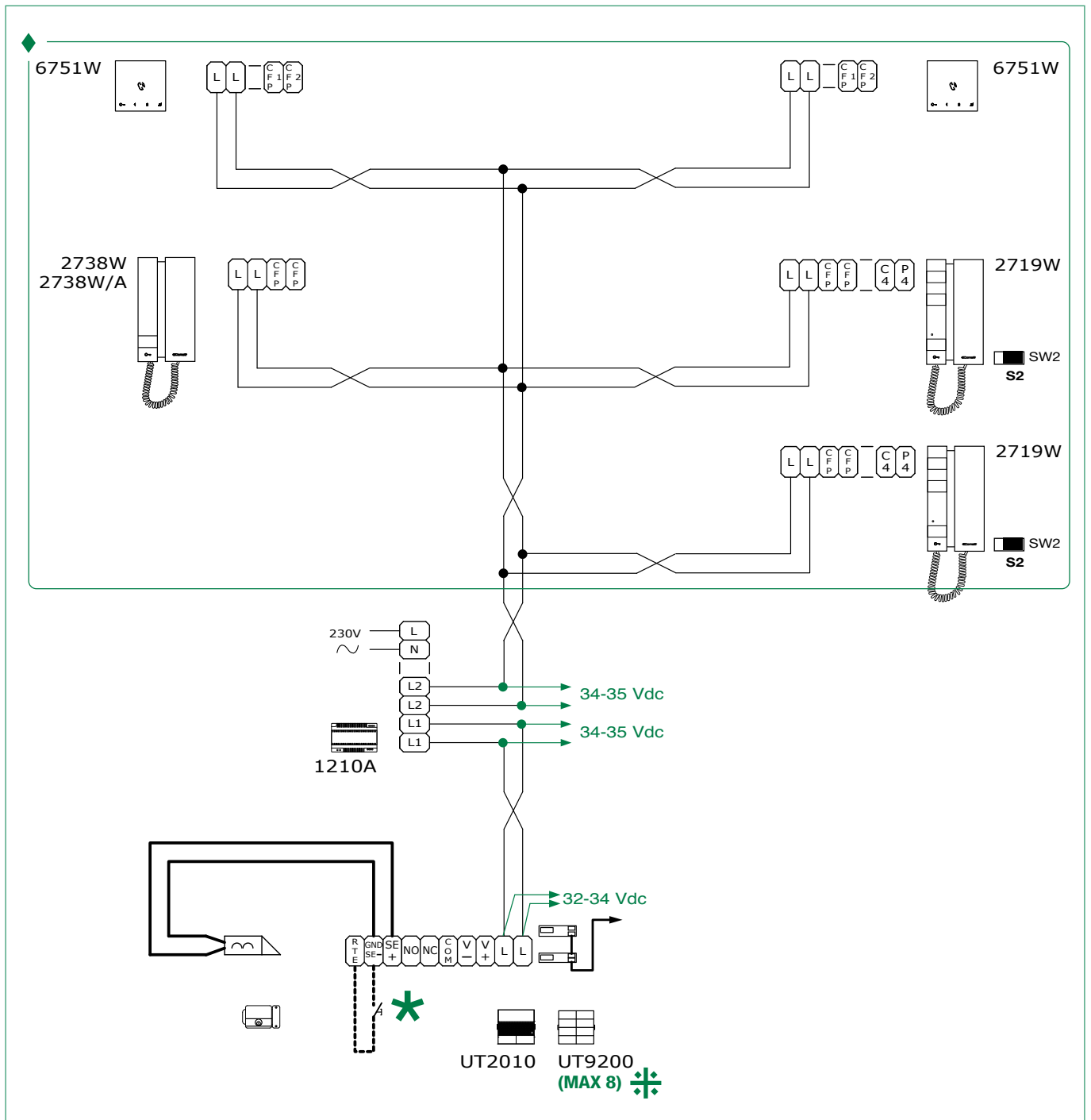


# Wiring diagrams

## Apartment block door-entry phone system



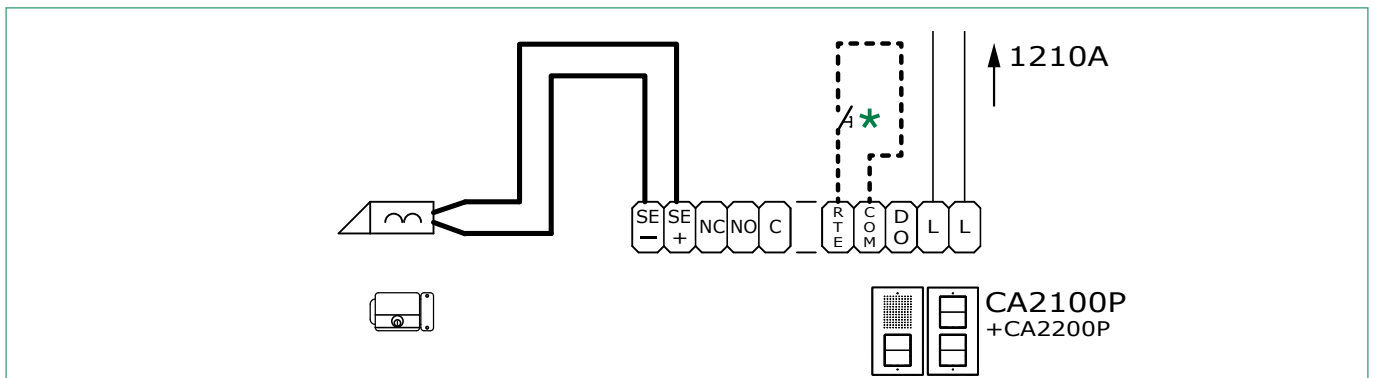
◆ AUDIO DOOR-ENTRY SYSTEM RISER



★ Max 20 m. Local door-opener button.

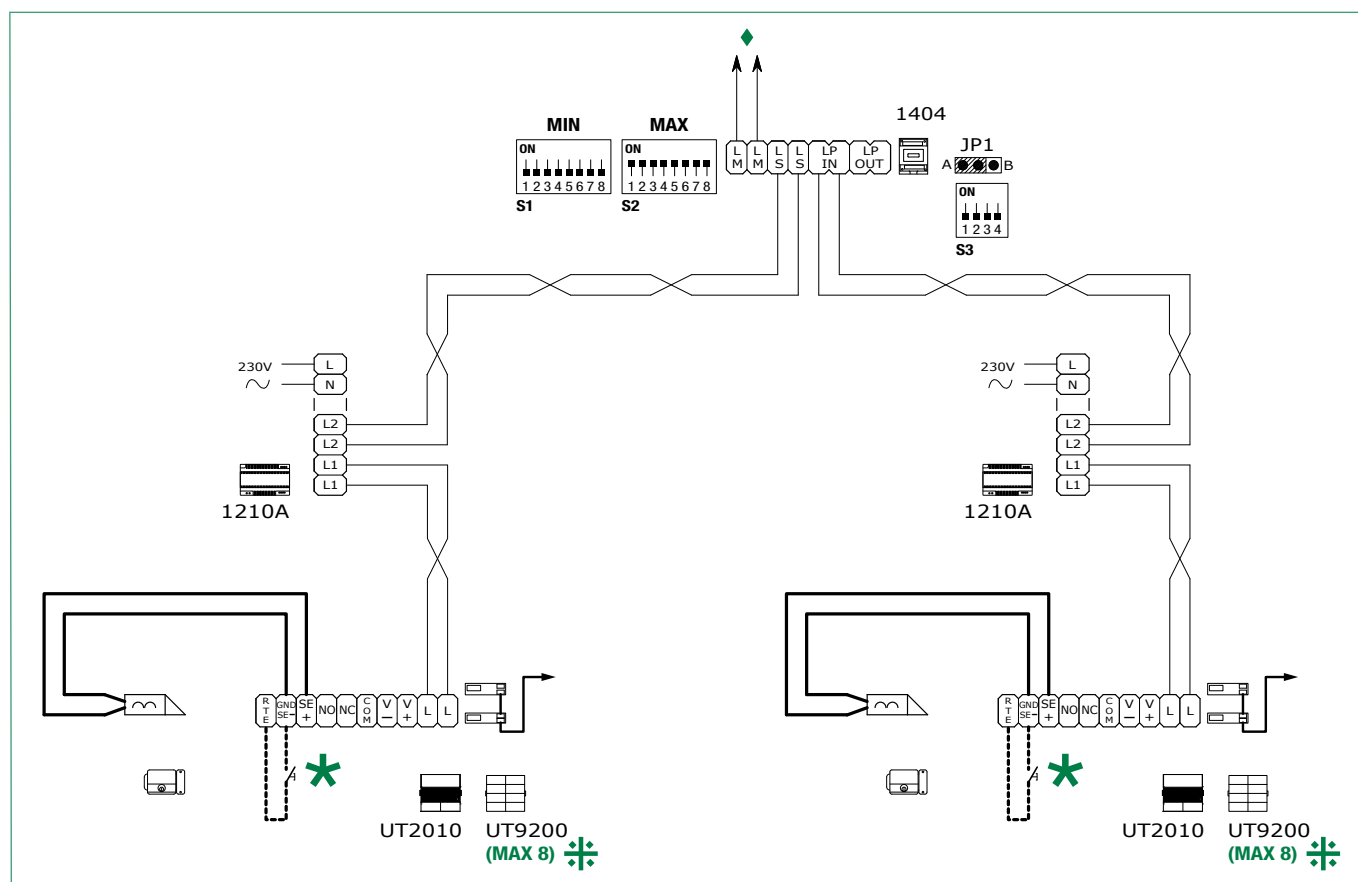
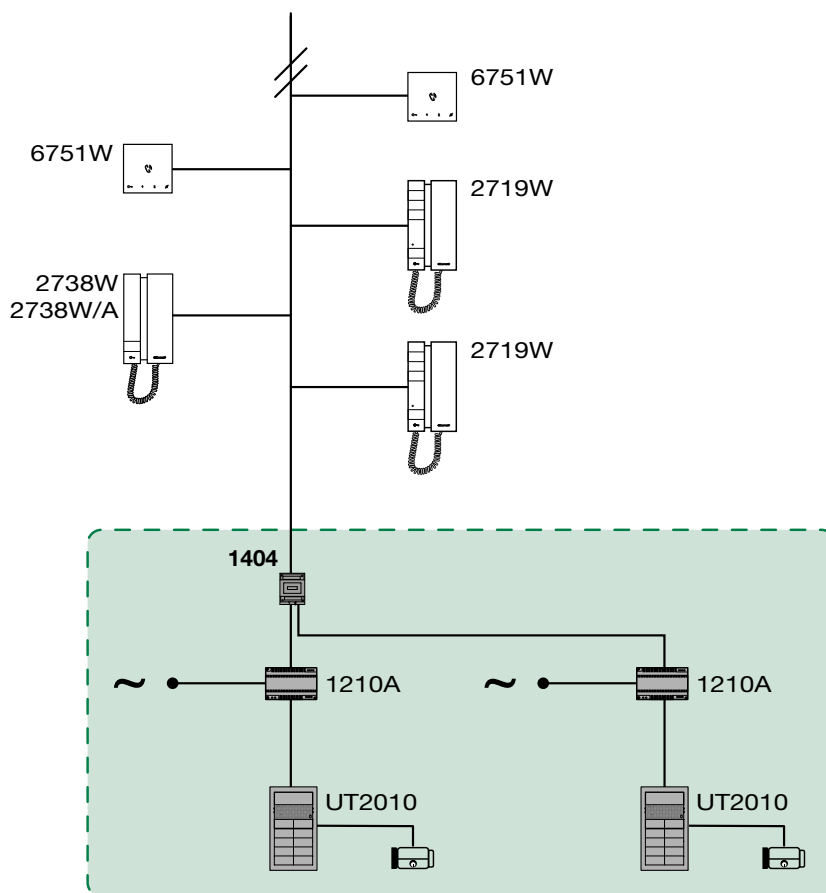
⚡ For configurations other than those indicated in the diagram, refer to the full manual for product number UT2010.

**Variant with Ciao entrance panel**



★ Max 20 m. Local door-opener button.

### System with 2 main entrances

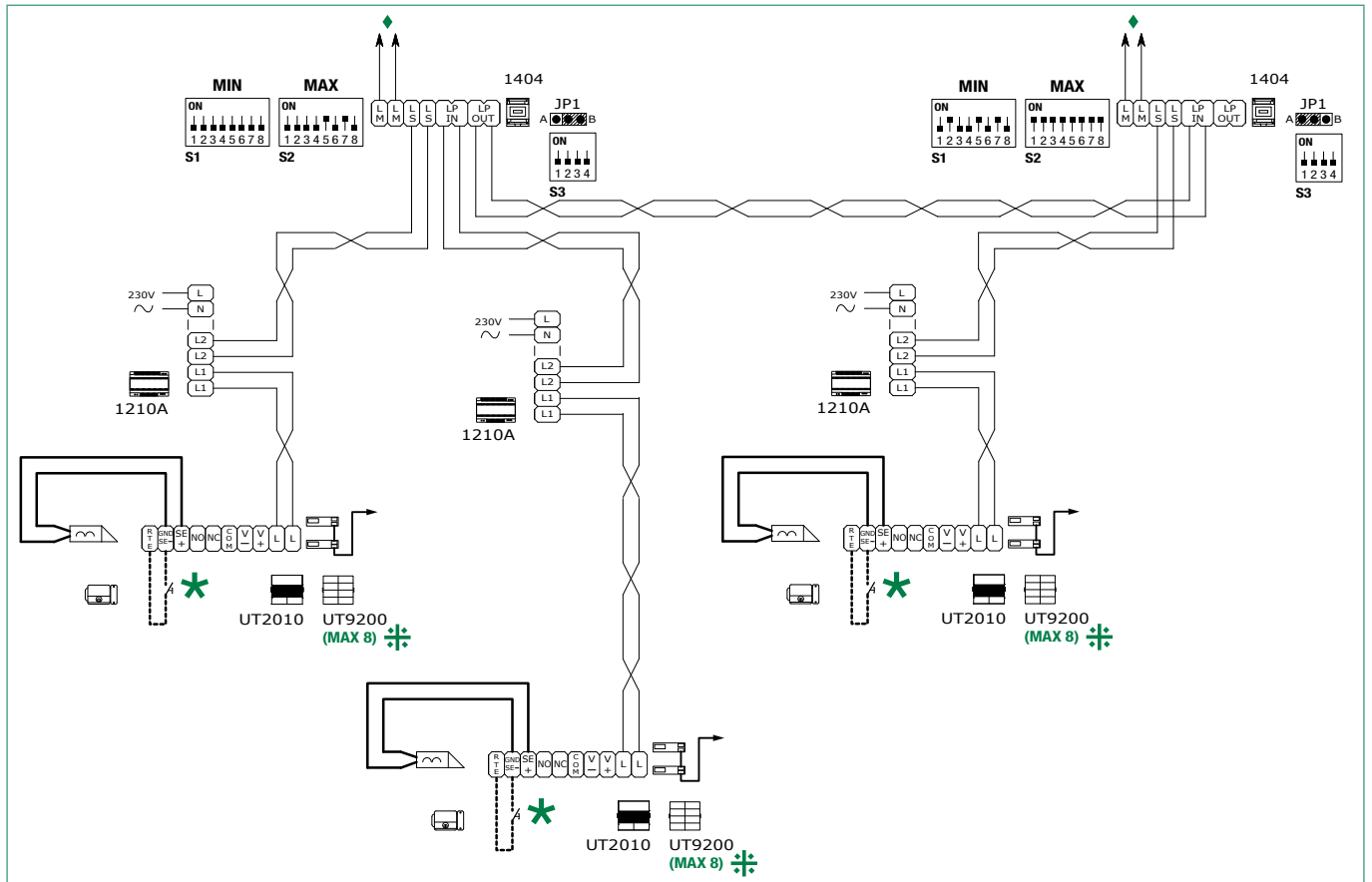
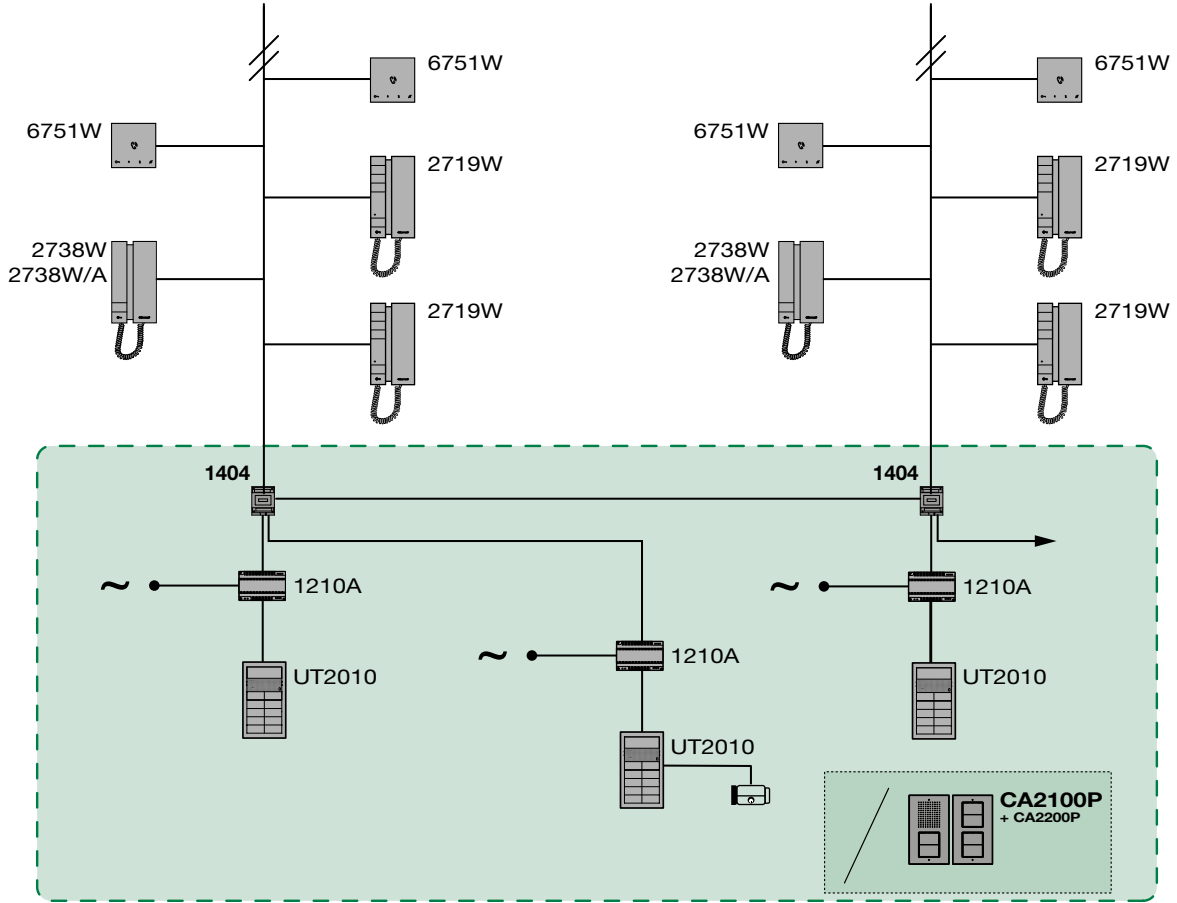


◆ Audio door-entry system riser (see: **"AUDIO DOOR-ENTRY SYSTEM RISER"**)

\* Max 20 m. Local door-opener button.

⚡ For configurations other than those indicated in the diagram, refer to the full manual for product number UT2010

# System with 2 risers, one main entrance and n secondary entrances



- ◆ Audio door-entry system riser (see: **"AUDIO DOOR-ENTRY SYSTEM RISER"**)
- \* Max 20 m. Local door-opener button.
- ⚡ For configurations other than those indicated in the diagram, refer to the full manual for product number UT2010.



CERTIFIED MANAGEMENT SYSTEMS



[www.comelitgroup.com](http://www.comelitgroup.com)

Via Don Arrigoni, 5 - 24020 Rovetta (BG) - Italy

