

## TECHNICAL DATA SHEET

# DSF-120SH Slim Dome

Super High Resolution Day/Night Internal Fixed Dome



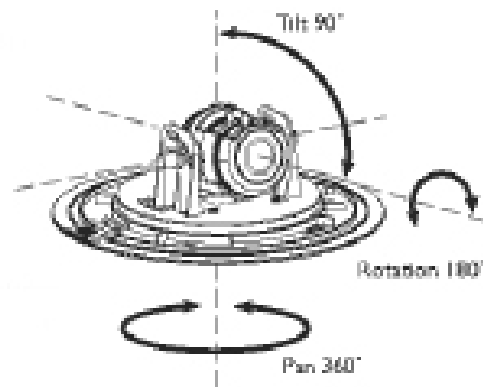
### KEY FEATURES

- 1/3" Sony Super HAD CCD
- Super High Resolution, 520 TVL
- Integrated 3.3-12mm DC AI VF Lens
- Digital Day/Night
- Privacy Masking
- Motion Detection
- 3-Axis Mount (Tool Free)
- Dual Voltage
- Ideal for Retail Applications

### ORDERING INFORMATION

DSF120SH Day/Night Internal Slim Dome

### TOOL-FREE 3-AXIS MOUNTING MECHANISM



Allows the dome camera to be installed  
on the wall, ceiling or on a slope

## TECHNICAL DATA SHEET

### TECHNICAL SPECIFICATION

Model Number	DSF-120SH
Image Sensor	1/3" Sony Super HAD CCD
Horizontal Resolution	560 TVL Col; 600 TVL B&W
Sensitivity (50 IRE @ F1.4)	0.2 Lux (Col), 0.05 Lux (Mono,)
Lens	3.3-12mm DC AI Varifocal Lens, (F1.4)
Effective Pixels (H x V)	752 x 582
Electronic Shutter Speed	FIXED / MANUAL / FLK
Scanning System	2:1 Interlace
Synchronisation	INT
Frequency	Horizontal: 15.625KHz Vertical: 59.94Hz
Video Output	1.0Vp-p~75Ω
S/N Ratio	>50dB (AGC Off)
O.S.D.	Yes, Built-In
Gain Control	OFF / LOW / MIDDLE / HIGH
White Balance	ATW / AWB / FIXED / MANUAL
Back Light Compensation	OFF / ON
Privacy Function	ON / OFF (8 Programmable Zones)
Motion Detection	ON / OFF (4 Programmable Zones)
Iris Control	DC / VIDEO
Day / Night	Auto
Operating Conditions	Temperature: -10°C ~ +50°C Humidity: 30 ~ 90% RH
Power Supply	DC 12V / AC 24V
Power Consumption	130mA (DC 12V) 90mA (AC 24V)
Dimensions (D x H)	180ø x 81 mm
Weight	400g

Features and specifications are subject to change for further improvement without any notice