



# DN83TSPX

Pixim Ultra High Resolution True Day/Night Box Camera

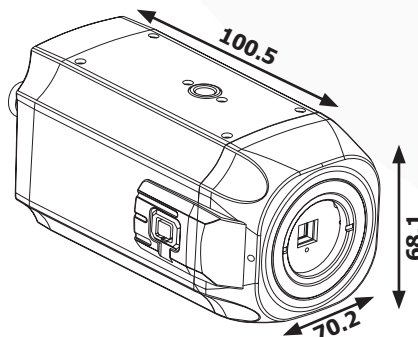


DN83TSPX

## Key Features

- 1/3" PIXIM Seawolf CMOS Sensor
- Ultra High Resolution, 690 TVL
- Mechanical IR Cut-Filter
- 3D Motion Adaptive Digital Noise Reduction
- Wide Dynamic Range (WDR)
- OSD Menu
- Selectable Gain Control
- Selectable White Balance
- Highlight Function
- Privacy Masking (12 Zones)
- Motion Detection
- Built In UTP
- RS-485 Communication
- Dual Voltage

## Dimensions (mm)



DATASHEET

www.geniecctv.com  
sales@geniecctv.com  
T: +44 (0) 1707 330 541  
F: +44 (0) 1707 330 543

Genie CCTV Ltd.  
CCTV House, City Park,  
Watchmead,  
Welwyn Garden City,  
Hertfordshire,  
AL7 1LT,  
United Kingdom

## Technical Specification

|                          |  |
|--------------------------|--|
| Model Number             | DN83TSPX   |
| Image Sensor             | 1/3" PIXIM Seawolf CMOS Sensor                   |
| Horizontal Resolution    | 690 HTVL (Col), 800 HTVL (Mono)                  |
| Vertical Resolution      | 460+ VTVL  |
| Signal Processing        | 17-Bit Digital Signal Processing                 |
| Transfer Format          | Progressive With Segmented Frames                |
| Sensitivity (F1.2)       | 0.1 Lux (Col), 0.001 Lux (Mono)                  |
| Digital Zoom             | 4x Zoom  |
| Effective Pixels (H x V) | 758 x 540  |
| Electronic Shutter Speed | 1/50 ~ 1/100,000 Sec                             |
| Scanning System          | 2:1 Interlace                                    |
| S/N Ratio                | >50dB  |
| Synchronisation          | INT/LL Selectable                                |
| Frequency                | Horizontal : 15.625KHz<br>Vertical : 50.00Hz     |
| Video Output             | 1.0Vp-p~75Ω                                      |
| Day / Night              | AUTO / COLOUR / B&W / EXTERN (ICR)               |
| 3D-DNR                   | OFF / LOW / MIDDLE / HIGH                        |
| Sens-Up                  | AUTO / OFF (Selectable Limit x2 ~ x32)           |
| WDR                      | LOW / NORMAL / MIDDLE / HIGH (Max 120db)         |
| OSD                      | YES, Built-In                                    |
| Gain Control             | AUTO / HIGH / LOW / OFF SELECTABLE               |
| White Balance            | ATW / AWB / INDOOR / OUTDOOR / MANUAL            |
| Back Light Compensation  | BLC / OFF SELECTABLE                             |
| Privacy Masking          | ON/OFF (12 Programmable Zones)                   |
| Motion Detection         | ON/OFF (4 Zones)                                 |
| Flip                     | Horizontal / Vertical                            |
| UTP                      | YES  |
| Communication            | RS-485   |
| Operating Conditions     | Temperature : -10°C ~ +50°C<br>Humidity : 95% RH |
| Power Supply             | DC12V / AC24V                                    |
| Power Consumption        | 490mA / 350mA                                    |
| Dimensions (W x H x D)   | 70.2 x 68.1 x 100.5 mm                           |
| Weight                   | 270g   |

Features and specifications are subject to change for further improvement without any notice

## Accessories

- **CWB-130** - Adjustable Bracket for Box Camera, M6 Screw Fixing, Ivory
  - **CWB-130S** - Adjustable Bracket for Box Camera, M6 Screw Fixing, Silver
  - **BR-01S** - Fully Cable Managed Box Camera Bracket, M6 Screw Fixing, Silver
  - **BR02W** - Cable Managed Metal Wall Mount Camera Bracket, White
  - **FILTERKIT4** - Filter Set Up Kit
  - **GMPC12** - DC12V Power Connector Jack (Male) To Terminal Block
  - **GFPC12** - DC12V Power Connector Jack (Female) To Terminal Block
  - **PSU1SM** - In-Line DC12V 1A Output, Regulated Switch Mode PSU, with Fixing Mount
  - **PSU24/2** - In-Line AC24V 2A Output, Switch Mode PSU, with Fixing Mount
- \* Please see the Lens Section for Suitable Lenses