

DN83SPX/12

Pixim Ultra High Resolution Digital Day/Night
Box Camera

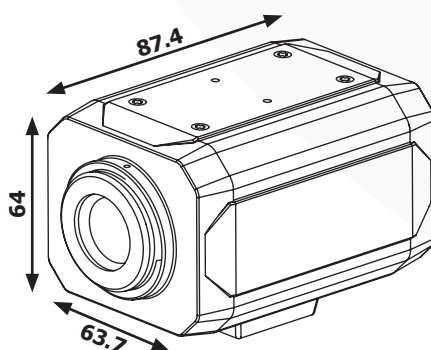


DN83SPX/12

Key Features

- 1/3" PIXIM Seawolf CMOS Sensor
- Ultra High Resolution, 690 TVL
- Digital Day/Night
- 3D Motion Adaptive Digital Noise Reduction
- Wide Dynamic Range (WDR)
- OSD Menu
- Selectable Gain Control
- Selectable White Balance
- Highlight Function
- Privacy Masking (12 Zones)
- Motion Detection
- DC12V

Dimensions (mm)



Technical Specification

Model Number	DN83SPX/12
Image Sensor	1/3" PIXIM Seawolf CMOS Sensor
Horizontal Resolution	690 HTVL (Col), 800 HTVL (Mono)
Vertical Resolution	460+ VTVL
Signal Processing	17-Bit Digital Signal Processing
Transfer Format	Progressive With Segmented Frames
Sensitivity (F1.2)	0.1 Lux (Col), 0.001 Lux (Mono)
Digital Zoom	4x Zoom
Effective Pixels (H x V)	758 x 540
Electronic Shutter Speed	1/50 ~ 1/100,000 Sec
Scanning System	2:1 Interlace
S/N Ratio	>50dB
Synchronisation	INT/LL Selectable
Frequency	Horizontal : 15.625KHz Vertical : 50.00Hz
Video Output	1.0Vp-p~75Ω
Day / Night	COLOUR / AUTO / B&W
3D-DNR	OFF / LOW / MIDDLE / HIGH
Sens-Up	AUTO / OFF (Selectable Limit x2 ~ x32)
WDR	LOW / NORMAL / MIDDLE / HIGH (Max 120db)
OSD	YES, Built-In
Gain Control	AUTO / HIGH / LOW / OFF SELECTABLE
White Balance	ATW / AWB / INDOOR / OUTDOOR / MANUAL
Back Light Compensation	BLC / OFF SELECTABLE
Privacy Masking	ON/OFF (12 Programmable Zones)
Motion Detection	ON/OFF (4 Zones)
Flip	Horizontal / Vertical
UTP	NO
Communication	N/A
Operating Conditions	Temperature: -10°C ~ +50°C Humidity: 95% RH
Power Supply	DC12V
Power Consumption	160mA
Dimensions (W x H x D)	63.7 x 64 x 87.4 mm
Weight	350g

Features and specifications are subject to change for further improvement without any notice

Accessories

- **CWB-130** - Adjustable Bracket for Box Camera, M6 Screw Fixing, Ivory
- **CWB-130S** - Adjustable Bracket for Box Camera, M6 Screw Fixing, Silver
- **BR-01S** - Fully Cable Managed Box Camera Bracket, M6 Screw Fixing, Silver
- **BR02W** - Cable Managed Metal Wall Mount Camera Bracket, White
- **FILTERKIT4** - Filter Set Up Kit
- **GMPC12** - DC12V Power Connector Jack (Male) To Terminal Block
- **GFPC12** - DC12V Power Connector Jack (Female) To Terminal Block
- **PSU1SM** - In-Line DC12V 1A Output, Regulated Switch Mode PSU, with Fixing Mount

* Please see the Lens Section for Suitable Lenses