



STRABUC 918 930

Fully retractable oil-hydraulic traffic control posts

STRABUC 918

in painted and stainless steel for vehicle access

STRABUC 930 HEAVY ARMoured

shockproof for absolute security

STRABUC 930 OPINAT

type approved version



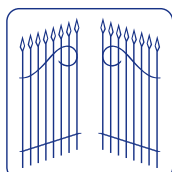
STRABUC 918



STRABUC 930 Heavy Armoured

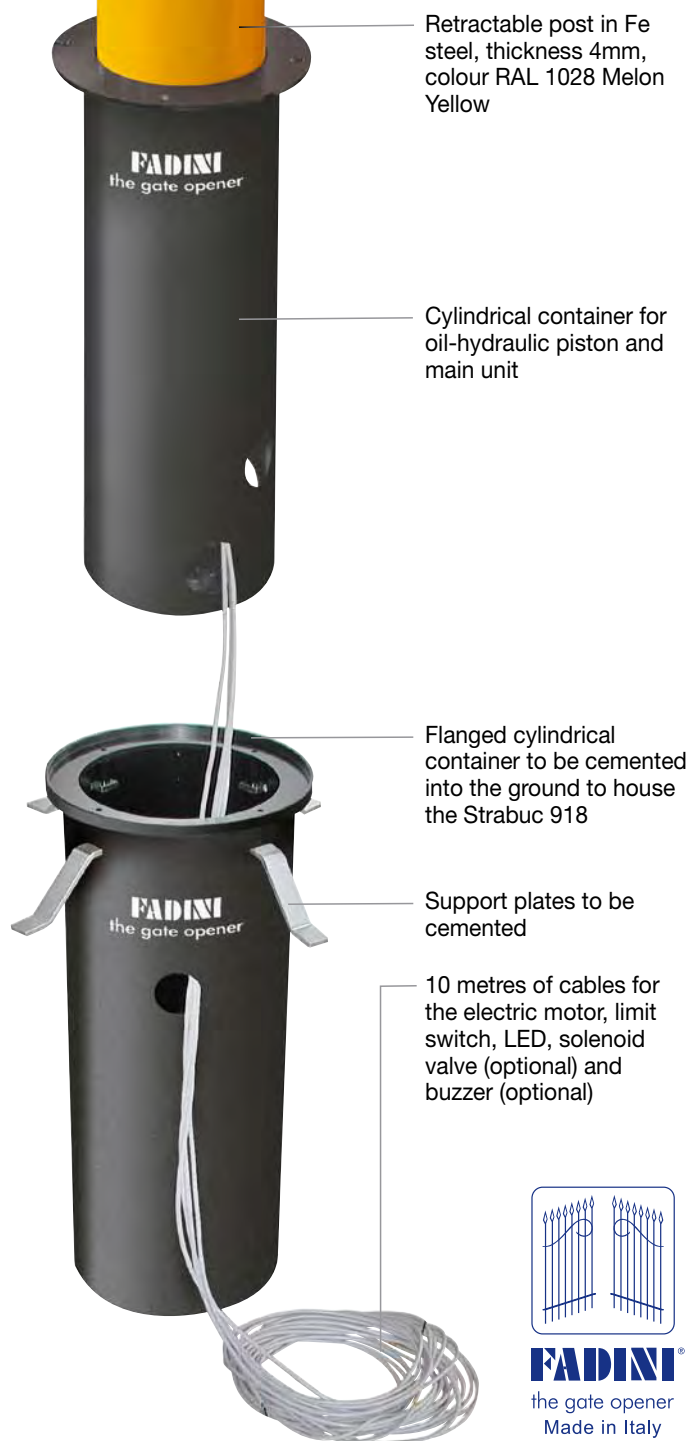
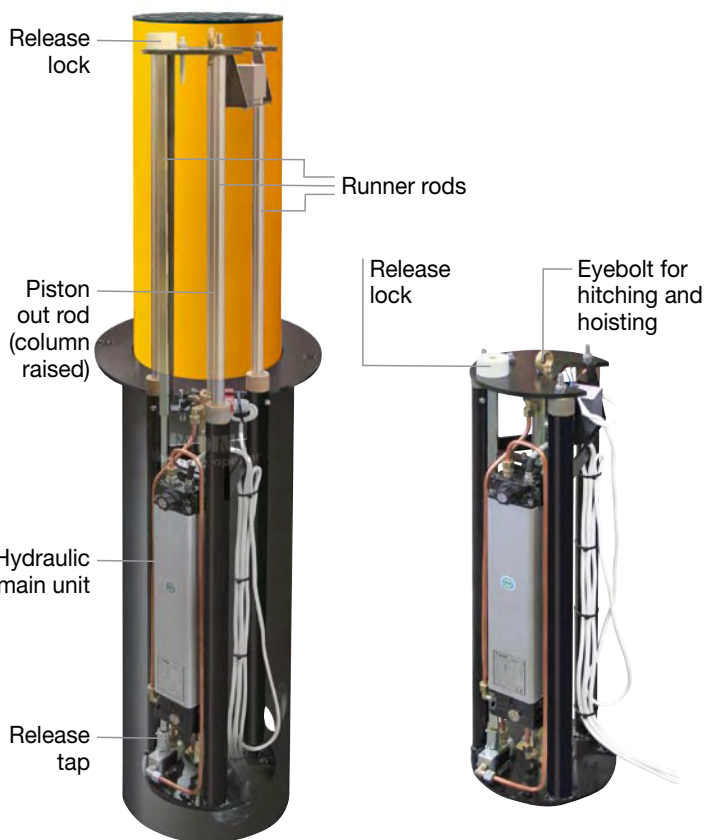


STRABUC 930 Opinat



FADINI[®]
 the gate opener
 Made in Italy

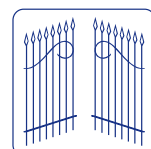




Built-in hydraulic main unit – piston with piston fully extended (column raised) and fully retracted (column lowered)

Release for manual lowering of the retractable post

In the event of a blackout, the release device for manual lowering of the retractable post has a triangular-shaped key, also for emergency use by the law enforcement forces as the fire brigade.



FADINI
the gate opener
Made in Italy

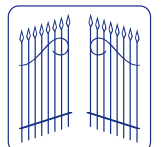


Retractable oil-hydraulic traffic control post

STRABUC 918 INOX



The **Strabuc 918** oil-hydraulic traffic control post is also available in a stainless steel version, with a satin finished Aisi 304 stainless steel post and all the interior construction features of the standard painted version.



FADINI
the gate opener
Made in Italy



Retractable oil-hydraulic traffic control post

STRABUC 918



Strabuc 918 installed on a pedestrian driveway

The **Strabuc 918** is a fully retractable oil-hydraulic traffic control post for preventing and restricting all kinds of vehicle access.

Solid and safe

The **Strabuc 918** is composed of a cylindrical post in **treated, painted Fe steel**, that moves vertically from a fixed underground housing, driven by an **oil-hydraulic piston** and hydraulic motor pump unit built-in to the automation. The entire movement is supported by **three runner rods** for perfect linearity and straightness of movement.

Stoppage of the retractable post is guaranteed by two internal limit switches that cut off the electricity supply to the hydraulic main unit.

At the top of the retractable post a **rubber buffer** guarantees protection against collisions or impact during movement.

Visible even in adverse weather conditions

Nine **flashing amber LEDs** positioned around the retractable post flash throughout the ascent and descent movement and during the pause phase. A type approved **retro reflective adhesive** makes the obstacle visible even at night.

Ten-metre lengths of all the electrical power supply cables (electric motor, limit switches, LEDs and release solenoid valve if present) are provided.

Optional devices such as the **movement buzzer** and release **solenoid valve**, with immediate lowering of the post during a blackout, are available subject to request by the customer.

The whole operator is controlled by an **Elpro S40** electronic microprocessor programmer, which can manage up to four traffic control posts.

Cylindrical container housing the operator

The operator's underground installation has been specially designed to guarantee operation at all times and in even the most extreme conditions. **Strabuc 918** is protected from internal flooding by the three large drainage holes situated on the base of the cylinder enclosing the whole operator.

Having cemented the cylindrical container into the ground, the **Strabuc 918** is securely fastened using an aluminium cover collar and four stainless steel screws.



Strabuc 918 operator with post retracted

Strabuc 918 operator with post raised



Strabuc 918 with Polo 44 photoelectric cells and indicator traffic lights



Strabuc 918 installation with Visual 344



Strabuc 918 fully retracted flush with ground level



Retractable oil-hydraulic traffic control post

STRABUC 930

Heavy Armoured

The **Strabuc 930 heavy-duty armoured version** is a retractable oil-hydraulic traffic control post designed for all those installations requiring special **shockproof characteristics, for absolute security and protection.**

The product shares all the construction features of the Strabuc 918 (internal piston and main unit with three telescopic runner rods and a position limit switch), reinforced with a treated, painted 12mm-thick retractable Fe steel post.

Vandal proof

To guarantee absolute security against tampering and vandalism, the **Strabuc 930 heavy-duty armoured version** has been designed to hold a **pump-type security lock** with personalised key that makes it possible, when removed from its housing, to free the release device to manually lower the retractable post.

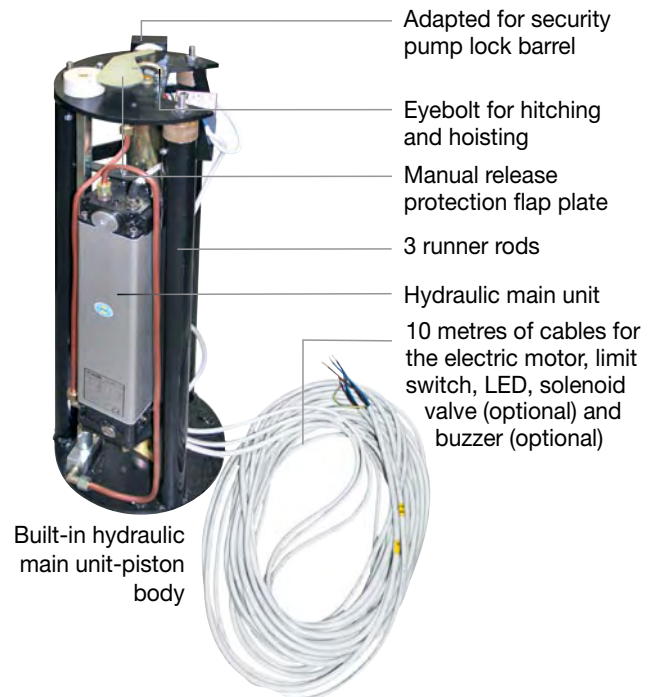
The release device for manual lowering of the retractable post has a triangular-shaped key, for emergency use also by law enforcement forces as the fire brigade.

Strabuc 930 Heavy-duty armoured version protecting a private driveway

Operation for manual release of the post, with removal of the security pump lock barrel



Absolute shockproof security to protect property





TYPE APPROVED

Retractable oil-hydraulic traffic control post

STRABUC 930 Opinat

The **Strabuc 930 Opinat** is the version of the Strabuc 930 heavy-duty armoured traffic control post type approved for installation in public places such as squares and city centres.

Quick and safe

The **Strabuc 930 Opinat** has been designed to make traffic arrangements safe even in extreme conditions, such as a power failure.

It comes in a complete kit with a release solenoid valve for immediate lowering of the retractable post in the event of a blackout (in just 5 seconds), without a security pump lock, with metal detectors to detect the presence of vehicles, movement buzzer, flashing amber indicator LEDs and traffic lights.

Leaving the way clear for emergency vehicles

The **Strabuc 930 Opinat** comes with an emergency acoustic detector that picks up the sirens of public safety and emergency vehicles and that lowers the post immediately as soon as the signal is detected.



Movement buzzer

Rubber buffer

9 Amber yellow indicator LEDs

Type approved retro-reflecting adhesive

12 mm-thick Fe steel retractable post, RAL 7016 Anthracite Gray

Aluminium cover collar

Ministerial Decree-compliant ID plate



Strabuc 930 Opinat protects the entrance to a city centre



Electric motor	Strabuc 930 Opinat
Output	0,25KW (0,33HP)
Consumption power	330W
Power supply voltage	230V±10%
Frequency	50Hz
Absorbed current	1.8A
Turning speed	2'800 rpm
Intermittent service	S3
LED power supply	230V 50Hz
Hydraulic main unit	
Hydraulic pump	P10
Pump flow rate	4,45 l /min
Operating pressure	2 MPa (20bars)
Maximum pressure	4 MPa (40bars)
Operating temperature	-20°C +80°C
Hydraulic oil type	Oil Fadini
Main unit static weight	10Kg
Protection Class	IP54
Oil-hydraulic piston	
Plunger diameter	40 mm
Rod diameter	16 mm
Net rod travel	740 mm
Rod exit time	10 secs
Calibrated thrust	18 daN
Performance	
Shock resistance	15'000J
Maximum static load	20'000Kg
Service cycle:	10s ascent 30s pause 10s descent 30s pause
Full cycle time	80 seconds
Full Opening - Pause - Closing - Pause cycles	45/hour
Annual cycles (considering 8-hour working day)	131'000
Complete weight of Strabuc 930 Opinat	180Kg (without housing)
Complete protection Class	IP67
Column colour	Anthracite Gray RAL 7016
Column material	Fe 360 steel



Aluminium cover collar

TYPE APPROVED



Retractable post
Anthracite Gray RAL 7016



Cylindrical container
for oil-hydraulic piston
and main unit



Flanged cylindrical
container to be
cemented into the
ground to house the
Strabuc 930 Opinat

Support plates to be
cemented

10 metres of cables
for the electric
motor, limit switch,
LED/buzzer and
solenoid valve



Siti 63/2TR
433.92 MHz
radio
transmitter

Prit 19
key
switch

Entrance and exit
metal loop detectors

EAR 35 emergency
siren detector
with "break glass"
emergency push button



Elpro S40 Electronic microprocessor
programmer



Cabinet for outdoor
installation



Three-lamp
traffic lights

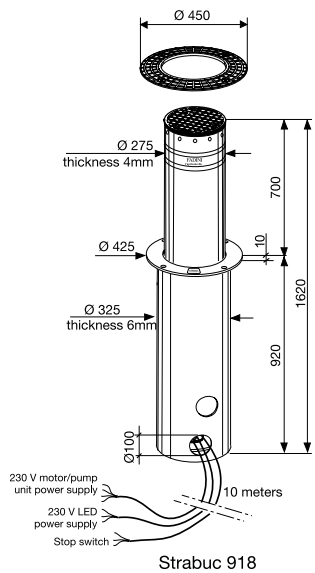
Two-module Visual 344
cabinet for control
accessory installation

Road signs

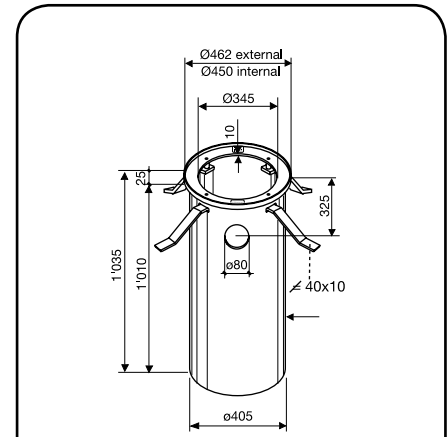
STRABUC 918 - 930 Heavy Armoured - 930 Opinat

Fully retractable oil-hydraulic traffic control posts

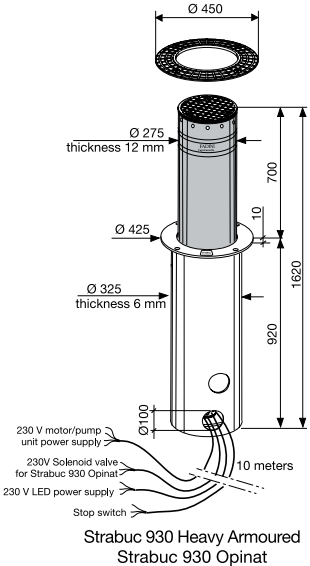
Electric motor		Hydraulic main unit	
Output	0.25KW (0.33HP)	Hydraulic pump	P10
Consumption power	330W	Pump flow rate	4.45 l /min
Power supply voltage	230V±10%	Operating pressure	2 MPa (20bars)
Frequency	50Hz	Maximum pressure	4 MPa (40bars)
Absorbed current	1.8A	Operating temperature	-20°C +80°C
Turning speed	2'800 rpm	Hydraulic oil type	Oil Fadini
Intermittent service	S3	Static weight	10Kg
LED power supply	230V 50Hz	Protection class	IP54



Oil-hydraulic piston	Strabuc 918
Plunger diameter	30 mm
Rod diameter	16 mm
Net rod travel	740 mm
Rod exit time	6 secs
Calibrated thrust	18 daN
Performance	
Shock resistance	10'000J
Maximum static load	20'000Kg
Service cycle:	6s ascent 30s pause 6s descent 30s pause
Full cycle time	72 seconds
Full Opening - Pause - Closing - Pause cycles	50/hour
Annual cycles (considering 8-hour working day)	146'000
Complete weight of Strabuc	128Kg
Complete protection Class	IP67
Post colour	RAL 1028 Melon yellow
Column material	Fe 360 steel



Cylindrical container, seat of the Strabuc 918, Strabuc 930 Heavy Armoured and Strabuc 930 Opinat



Oil-hydraulic piston	Strabuc 930 Heavy Armoured
Plunger diameter	40 mm
Rod diameter	16 mm
Net rod travel	740 mm
Rod exit time	10 secs
Calibrated thrust	18 daN
Performance	
Shock resistance	15'000J
Maximum static load	20'000Kg
Service cycle:	10s ascent 30s pause 10s descent 30s pause
Full cycle time	80 seconds
Full Opening - Pause - Closing - Pause cycles	45/hour
Annual cycles (considering 8-hour working day)	131'000
Complete weight of Strabuc	180Kg
Complete protection Class	IP67
Post colour	RAL 7016 - Anthracite Gray
Column material	Fe 360 steel

Cylindrical Container (to be cemented)	
Material	"Fe 360" sheet iron
Treatment	Cataphoresis-treated, black
Calandered sheet metal thickness	1.5 mm
Anchoring flange thickness	10 mm
4 Support plate clamping bolts	M10x30
4 Washers	Ø10
4 Flat support	plates 40x10
Complete weight	25 Kg



We recommend that installation complies with applicable regulations, the instructions enclosed and EN 12453 and 12445 standards in observance of essential EC requisites



Directive 2003/108/EC
Disposal of electric and electronic material
DO NOT DISPOSE OF AS NORMAL WASTE HARMFUL FOR THE ENVIRONMENT



AUTOMATIC GATE MANUFACTURERS

Via Mantova, 177/A - 37053 Cerea (Verona) Italy
Tel. +39 0442 330422 r.a. - Fax +39 0442 331054
e-mail: info@fadini.net - www.fadini.net

For Dealer's use only

The manufacturer reserves the right to make amendments to this manual without prior notice and declines all responsibility for any errors, personal injury or damage to property.