

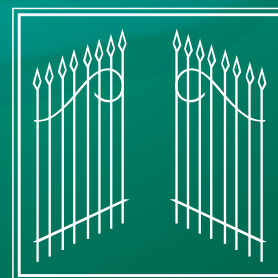
POLO

44

➤ Infrared modulated light beam



GB



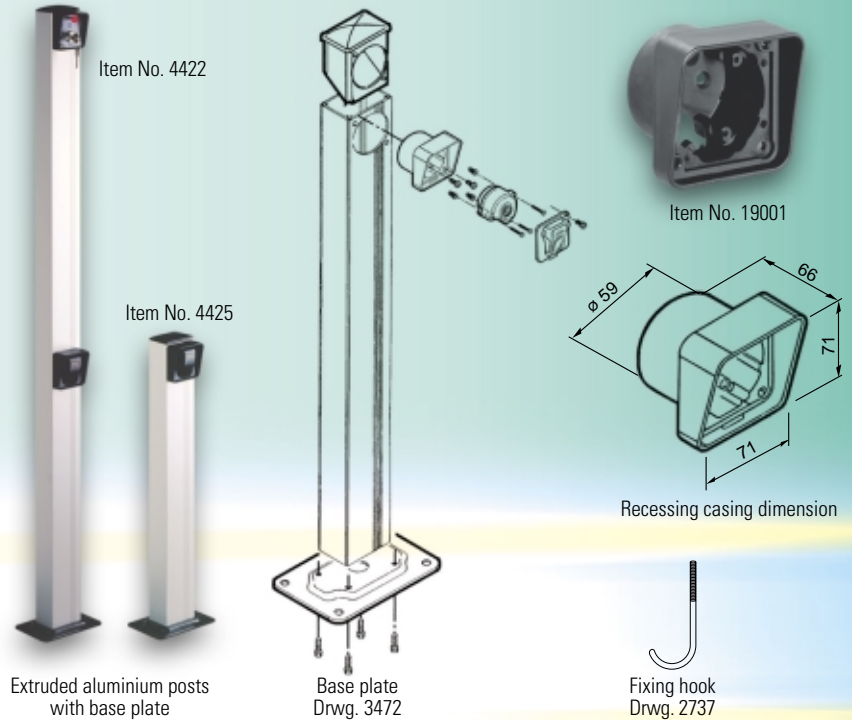
FADINI[®]
the gate opener

POLO 44 PHOTOCELLS

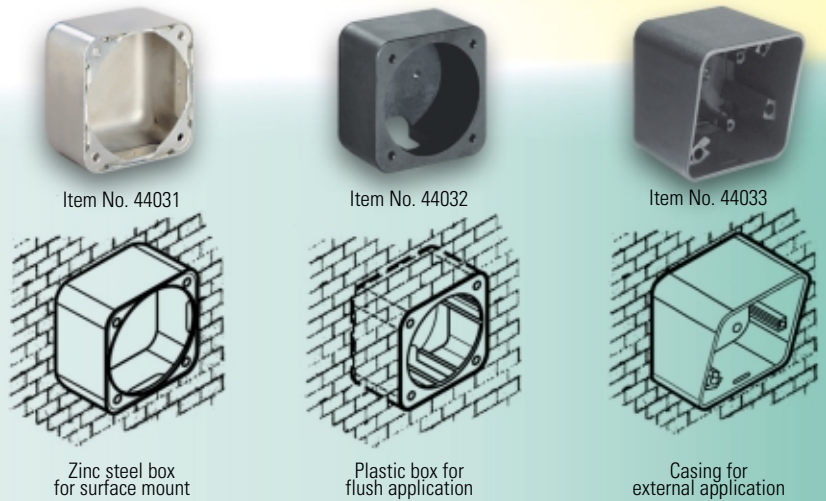
POLO 44 photocells are a safety device consisting of an infrared, modulated light projector and receiver to create an invisible beam barrier which protects an area of operation in case the beam is interrupted by an obstacle. On interrupting the beam of light, the internal relay switch changes instantaneously from normally closed to open, and a safety control system is activated. The receiver unit is fitted with an internal red led, which illuminates when an obstacle interposes between the photocells and cuts the beam of light. The projector and the receiver are to be aligned and centred for a correct performance.

Adjusting is by means of the three self-tapping screws in the front. The red led also provides indication of centering. The units are aligned if the red led is off and the lens is "neutral"; if a "red" light illuminates the lens, the photocells are not centred or not aligned. The casing, that houses the electronic components, is made of shock resistant, weather-proof materials. The inside nucleus is pre-heated to prevent condensation. A special device is incorporated inside the electronic P.C. board to prevent it from being affected by any other direct or reflected luminous source then that of the photocell projector. Keep the lens clear from dust, grass, webs etc. that may obstruct the photocells and inspect them every 6 months. All the electronic components are accurately selected to ensure maximum reliability and are guaranteed by a technical expertise consolidated over many years.

Photocells fitted on to mounting posts

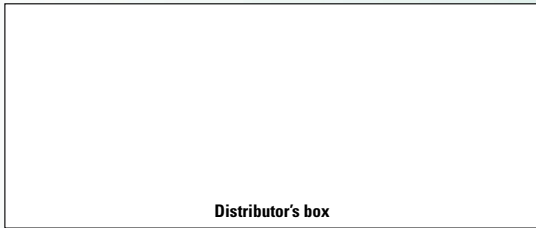


Photocells fitted to brick walls



Technical specifications

Frequency of the modulated light	1'100 Hz
Power supply	24 Vac/dc
Projector absorption	30 mA
Receiver absorption	30 mA
Working temperature	-10°C +70°C
Output contact	1A - 125 V - 60 VA max
Distance range	12 meters
Time of contact activation	6 msec.
Protection standards	IP 54
Dimensions	72x72 mm, ø 59, 37 mm thick
Type of material	Nylon 30% G.F.

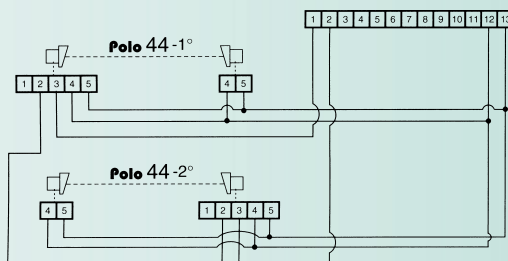


The manufacturers reserve the right to change the products without any previous notice

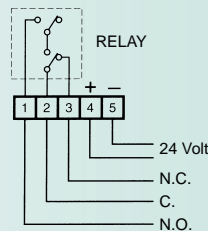
The "CE" mark certifies that the operator conforms to the essential requirements of the European Directive art. 10 EEC 73/23, in relation to the manufacturer's declaration for the supplied items, in compliance with the body of the regulations ISO 9000= UNI EN 29000. Automation in conformity to UNI 8612 safety standards.

The growth of MECCANICA FADINI has always been based on the development of guaranteed products thanks to our "TOTAL QUALITY CONTROL" system which ensures constant quality standards, updated knowledge of the European Standards and compliance with their requirements, in view of an ever increasing process of improvement.

EXAMPLE OF CONNECTION TO THE CONTROL PANEL ELPRO TYPE



RECEIVER WITH TWO SAFETY RELAYS



CE EUROPEAN MARK
CERTIFYING CONFORMITY
TO THE ESSENTIAL
REQUIREMENTS OF THE
STANDARDS 98/37 CE

- DECLARATION OF CONFORMITY
- GENERAL WARNINGS
- UNI 8612 STANDARDS
- CEI EN 60204-1 STANDARDS
- WARRANTY CERTIFICATE ON THE CUSTOMER'S REQUEST



AUTOMATIC GATE MANUFACTURERS