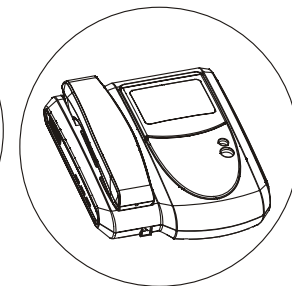
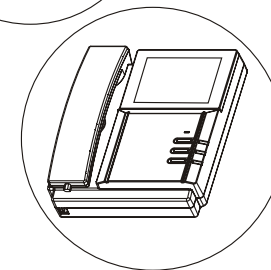
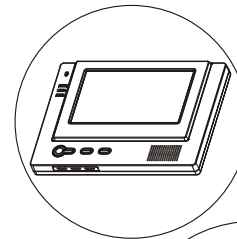
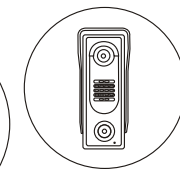
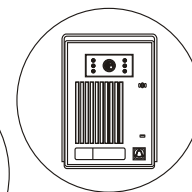
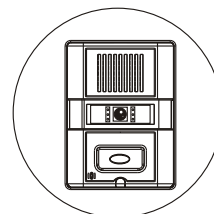


•LCC•

Operation and Installation Guide

└ Multi-door video entry system ─



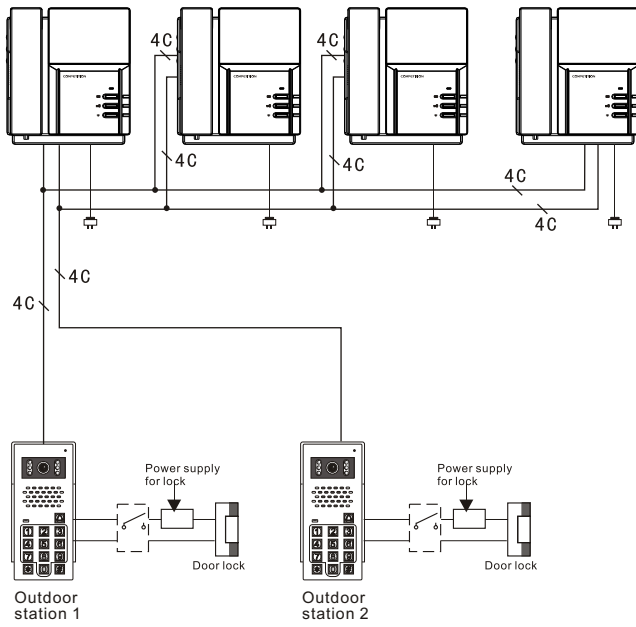
LCC SYSTEM CONFIGURATION DIAGRAM	1
LCC SYSTEM ALL OUTDOORSTATION.....	3
VIDEO DOORPHONE	10
WIRING CONNECTIONS.....	24
OPERATION.....	25
LCC SYSTEM ALL OUTDOORSTATION INSTALLATION.....	27
LCC SYSTEM ALL INDOORMONITOR INSTALLATION.....	30
TECHNICAL PARAMETER.....	36

Luxurious in appearance

Unparalleled in technology

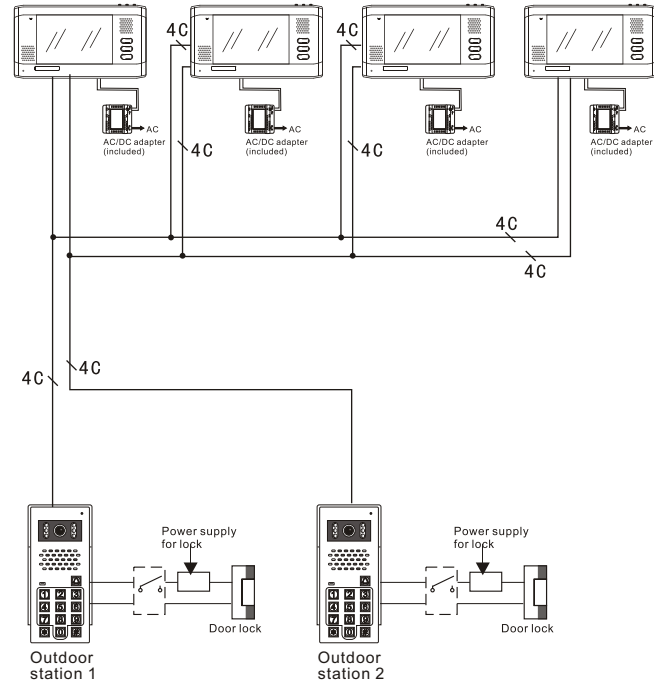
LCC SYSTEM CONFIGURATION DIAGRAM

► LCC SYSTEM WITH TWO ENTRANCE Indoor monitor built-in power supply



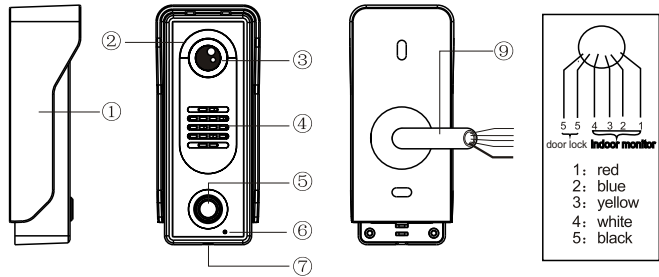
LCC SYSTEM CONFIGURATION DIAGRAM

► LCC SYSTEM WITH TWO ENTRANCE Indoor monitor external power supply



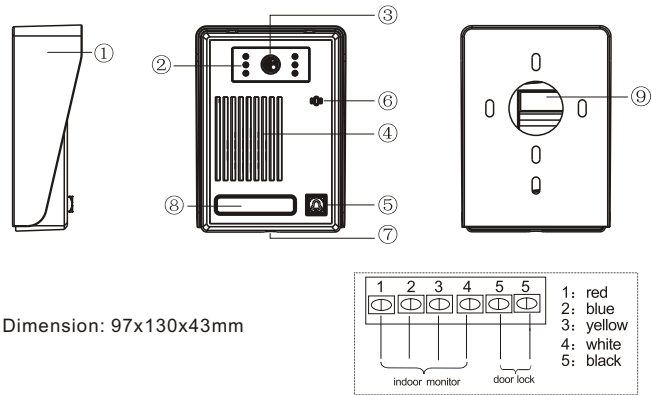
LCC SYSTEM ALL OUTDOOR STATION

- SAC5B-CK B/W
- SAC5C-CK color



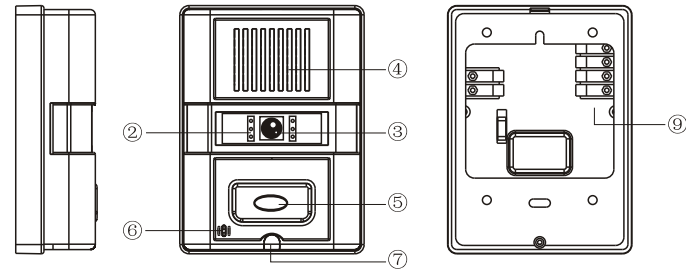
Dimension: 58x135x39mm

- SAC35B-CK B/W
- SAC35C-CK color

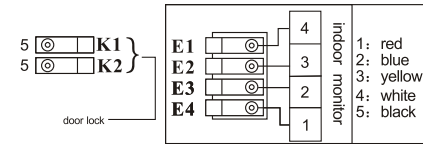


Dimension: 97x130x43mm

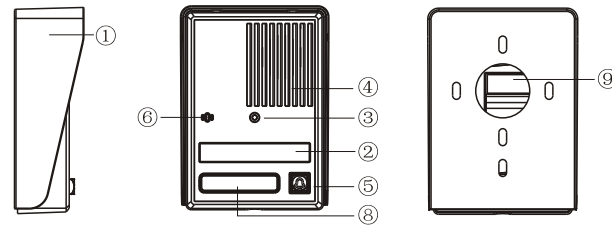
- SAC800B-CK B/W
- SAC800C-CK color



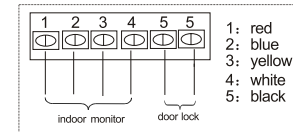
Dimension: 55x130x43mm



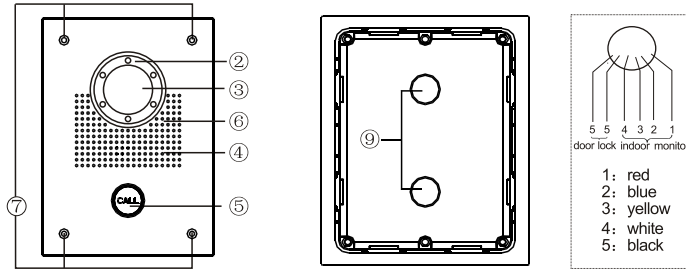
- SAC25B-CK B/W
- SAC25C-CK color



Dimension: 97x130x43mm

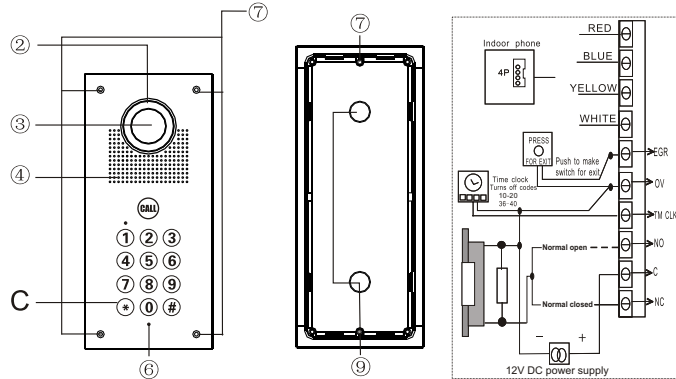


- SAC551B-CK B/W
- SAC551C-CK color



Dimension: 203x150x43mm

- SAC561B-CK B/W
- SAC561C-CK color



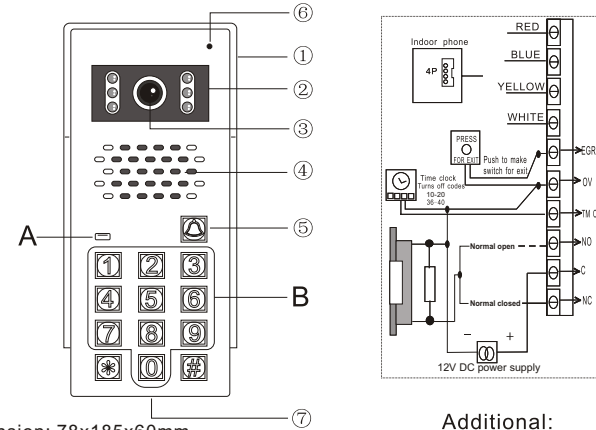
Dimension: 250x120x43mm

Time clock: Turn off codes group 10-20, 36-40

Functional explanation:

TMCLK is low level effective means in low level status lock the users' passwords from 10-20, 36-40, only passwords located on position 01-09, 21-35 still can work. In the high level status, all codes groups can work.

- SAC50B-CK B/W
- SAC50C-CK color



Dimension: 78x185x60mm

Additional:

- A. LED indicator
- B. Keypad access

Functional explanation:

EGR: Low level effective for trigger door open.

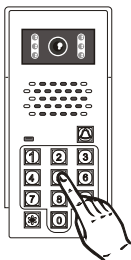
NO.	NAME	DESCRIPTION
①	Water cover	Protect the camera from outside water
②	LED assistant	Provide lighting during night time for better visibility
③	CCD camera	Capture the image to sent to the monitor
④	Speaker	Sound from the monitor is delivered
⑤	Calling button	Call the indoorphone to communicate
⑥	Microphone	Delivers and sound voice when communication with the indoor phone
⑦	Screw hole	Install the screws
⑧	Nameplate	Show residential name
⑨	Connection wiring	Connection with the monitor

Specification



Power	DC 14.5V
Working electric current	≤200mA
Camera lens	1/3 CCD 72degree ken
Illumination	0.05 LUX
Communication duration	120s
Communication method	Duplex communication type
Working temperature	-20~+55°C
IP rating	55

Specifications of 50/561 series code access



ATTENTION

1. The original factory defaulted programming password is 1234.
2. Input a 4 digits password to have the door striked or the lock unlocked.

Change the master code

1. Shut down the power of the unit and keep pressing the button * .
2. Switch on the power pressing the button * down, the unit will then give a long continuous tone.
3. When the tone stopped, another sounds will be heard and input your new 4 digits programmers codes.

Entering programming mode

1. Press the button * plus your 4 digits master codes
2. You are successfully enter the programming mode when three sounds is heard and the LED is flashing.
3. Press the button * to quit.

Set the unlocking time

Factory default setting is 5 seconds.

1. Enter programming mode.
2. Enter 00 (this is a special code group), two "Di Di" sounds as reminder.
3. Enter a desired lock/delay operation time in a two digits format (01 to 99 seconds).
4. Press the button * to quit.

Add user codes

1. Enter programming mode.
2. It is available for 40 groups code. 01 to 40 is the group number, which should be input in front of the 4 digits codes from 31 to 40 group codes, input once 4 digits codes to open the door for a long time until twice the same code to have it closed.
3. Input 4 digits codes, a two sounds is heard, it is unsuccessful and indicating the code is existent at somewhere, if a three sounds is heard, it is successfully set.
4. Press the button * to quit.

Delete user codes

1. Enter programming mode.
2. Enter one of the codes groups from 01 to 40.
3. Press the button # to delete the codes of which position you just input, eg. input 01, means delete the codes on the position 01.
4. It is successfully deleted when a three "Di Di" sounds heard as reminder.
5. Press the button * to quit.

Delete a codes directly

1. Enter programming mode.
2. Press the button # to hear a two "Di Di" sounds as reminder.
3. Input 4 digits codes that want to deleted.
4. It is successfully deleted after three sounds heard.
5. Press the button * to quit.

Delete all settings

1. Enter programming mode.
2. Press the button # hear a two "Di Di" sounds as reminder.
3. One more press the button # two sounds as reminder.
4. Continuously press the button # 7 times to delete all settings. Unlocking time turns to one second. The admin codes as same as before. After five sounds, all settings back to default.
5. Press the button * to quit.

LCC SYSTEM ALL INDOOR MONITORS

VIDEO DOORPHONE

■ Handset monitor:

MT210B-CK2U MT210C-7CK2U MT200B/C-CK2
 MT210B-CK2 MT210C-7CK2

■ Hand-free monitor:

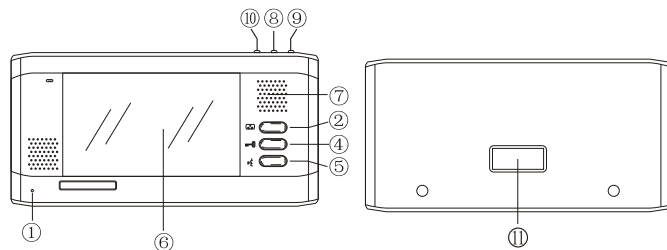
MT320C-CK2 MT333C-CK2 MT18B/C-CK2
 MT37XC-CK2U MT37XC-CK2 MT181B/C-CK2
 MT350C-CK2 MT360C-CK2 MT360T-CK2
 MT361C-CK2 MT361T-CK2 MT300C-CK2
 MT8T-CK2

NO.	Icon	Description	NO.	Icon	Description
①		Microphone	⑧		Talking volume
②		Monitor	⑨		Brightness
③			⑩		Chroma/contrast
④		Door lock releasing	⑪		System terminal
⑤		Talking	⑫		Calling
⑥		TFT display/CRT	⑬		Receiver
⑦		Speaker	⑭		Indicated light

CAUTION:

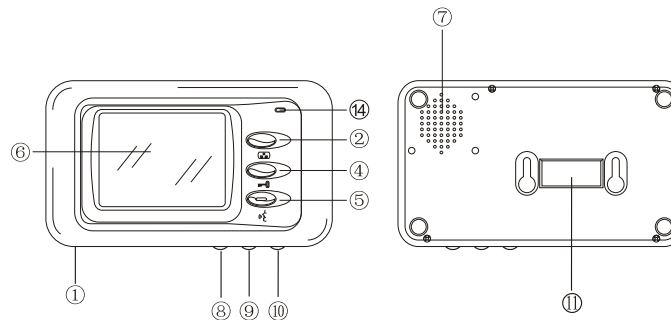
1. When connect more than one indoor monitor please short circuit J2 of the far the most monitor and open J2 of the other monitors.
2. When connect more than one indoor monitor please short circuit J1 and J3 of the closest monitor and open J1 and J3 of other monitors.

■ Hand-free monitor: MT350C-CK2

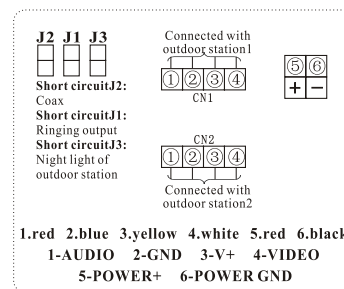
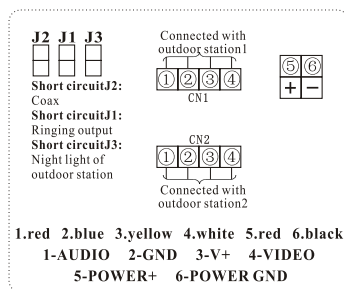


Dimension: 220x110x25mm

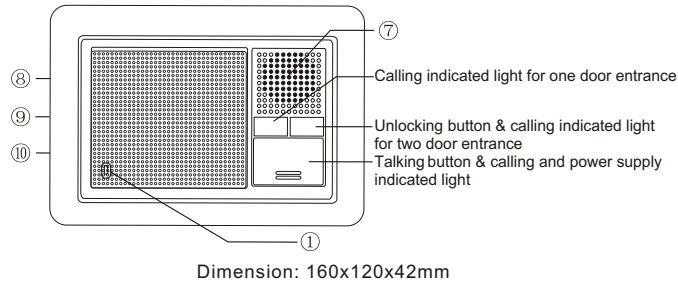
■ Hand-free monitor: MT300C-CK2



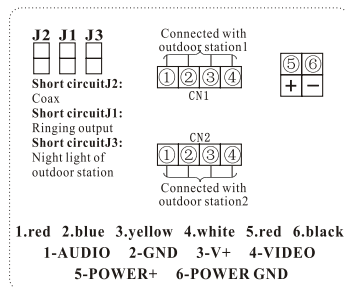
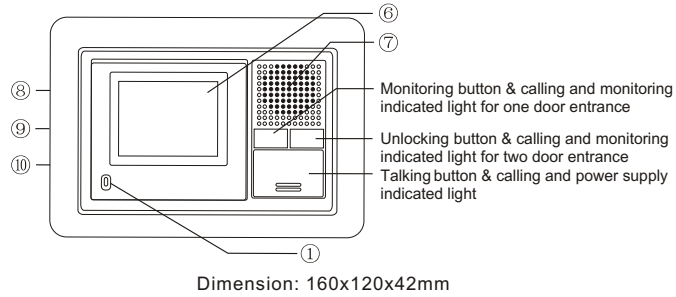
Dimension: 190x113x43mm



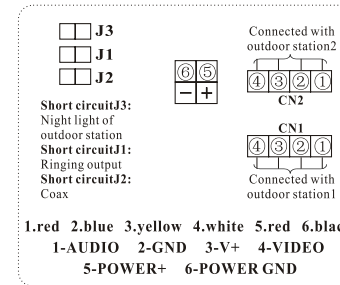
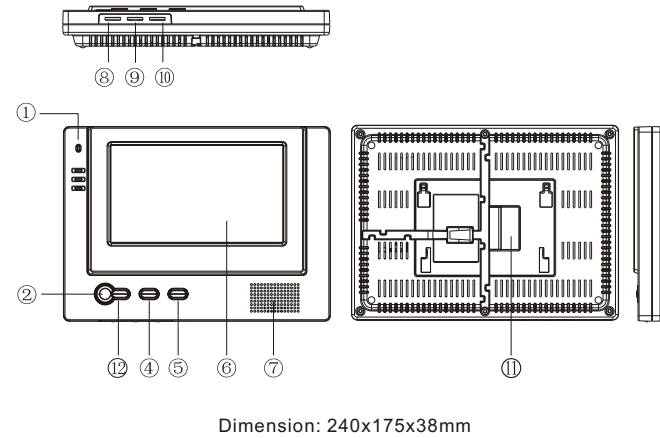
■ Hand-free monitor: MT360T-CK2 MT361T-CK2



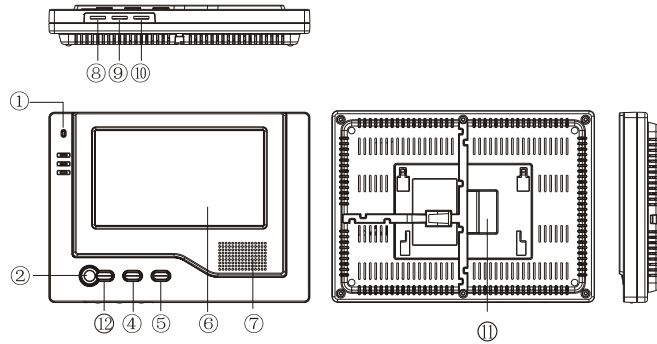
■ Hand-free monitor: MT360C-CK2 MT361C-CK2



■ Hand-free monitor: MT370C-CK2U MT370C-CK2

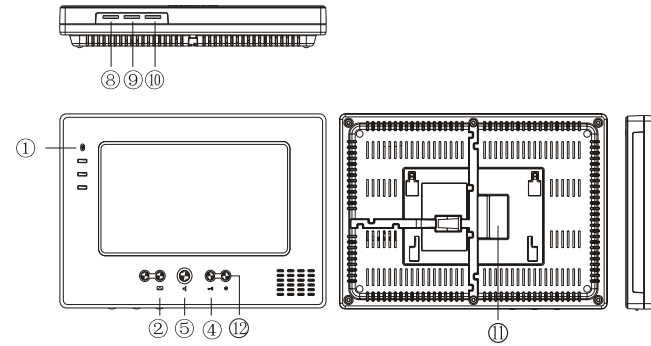


■ Hand-free monitor: MT371C-CK2U MT371C-CK2



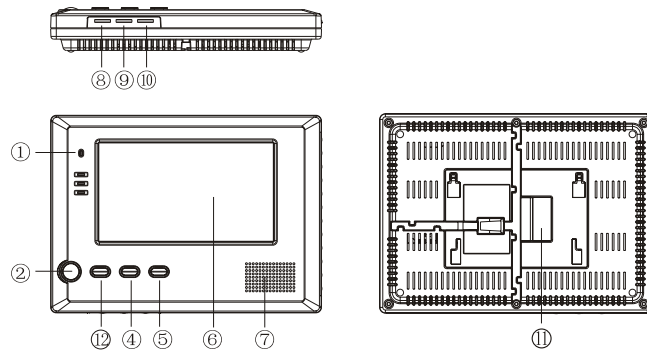
Dimension: 240x175x38mm

■ Hand-free monitor: MT373C-CK2U MT373C-CK2

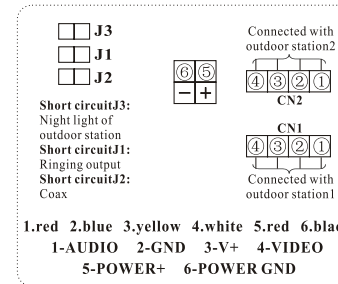


Dimension: 240x175x38mm

■ Hand-free monitor: MT372C-CK2U MT372C-CK2

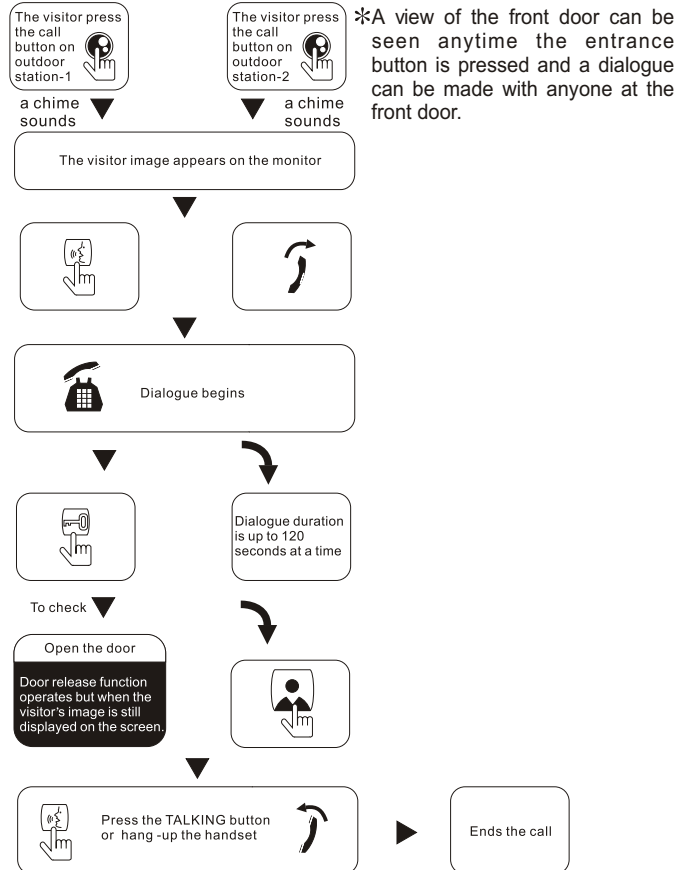


Dimension: 240x175x38mm

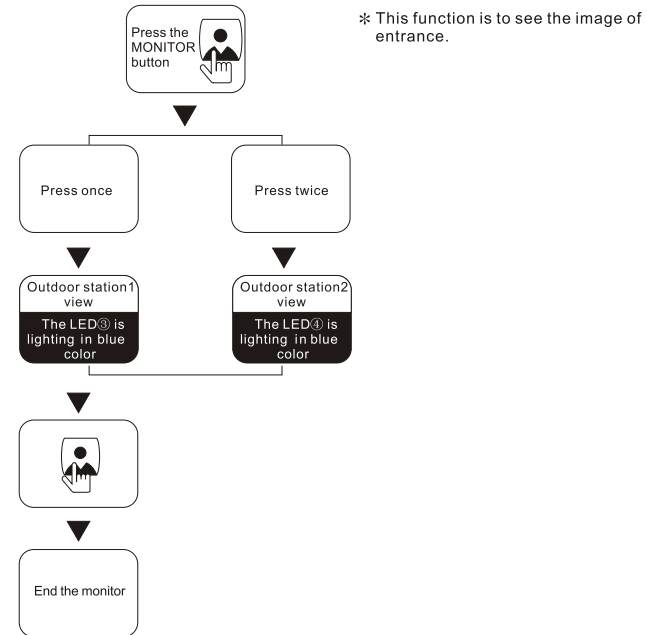


OPERATION

▶ Visitor call



▶ MONITOR



▶ Indoor monitor call transferring

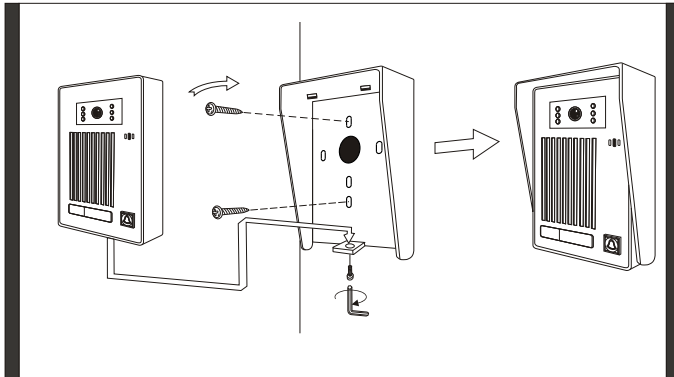
■ Call from indoor monitor



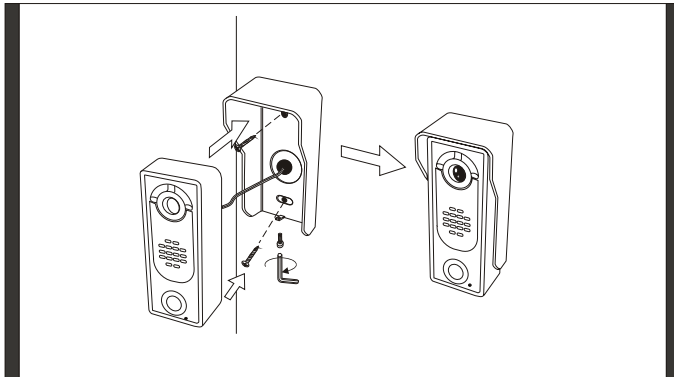
► **LCC SYSTEM ALL OUTDOOR STATION INSTALLATION**

INSTALLATION PROCESS

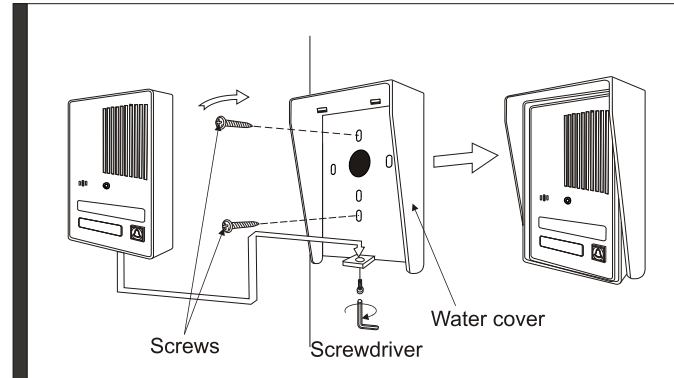
■ **SAC35 INSTALLATION DIAGRAMMATIC SKETCH**



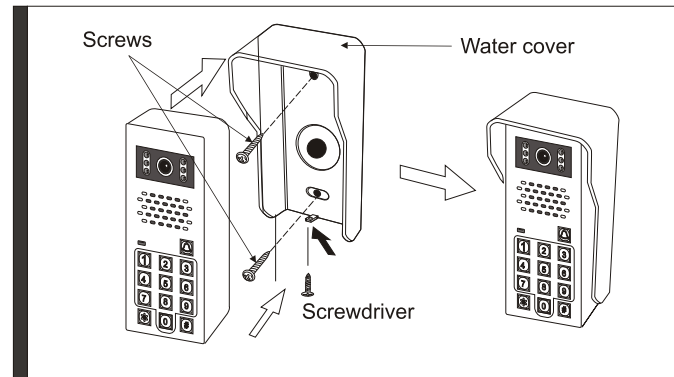
■ **SAC5 INSTALLATION DIAGRAMMATIC SKETCH**



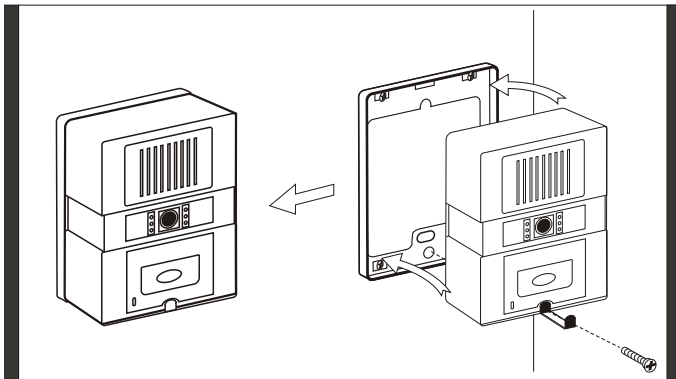
■ **SAC25 INSTALLATION DIAGRAMMATIC SKETCH**



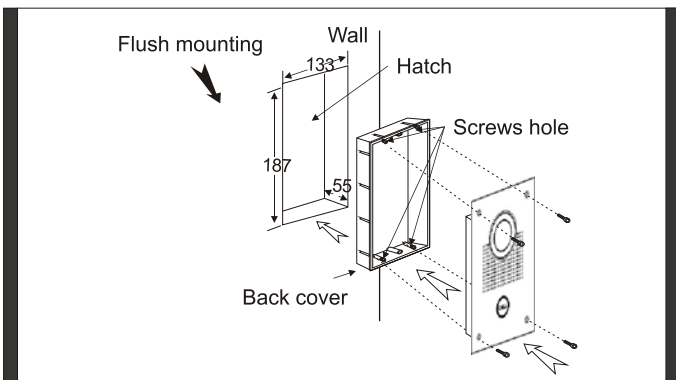
■ **SAC50 INSTALLATION DIAGRAMMATIC SKETCH**



■ SAC800 INSTALLATION DIAGRAMMATIC SKETCH



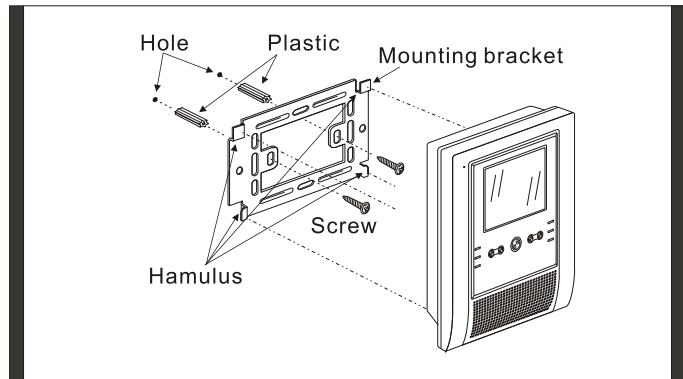
■ SAC551 INSTALLATION DIAGRAMMATIC SKETCH



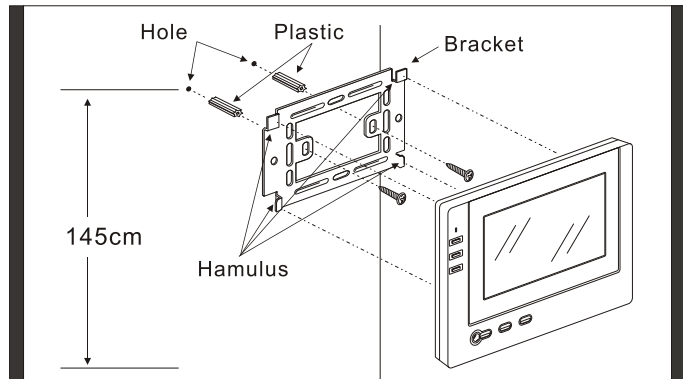
► LCC SYSTEM ALL INDOOR MONITOR INSTALLATION

INSTALLATION PROCESS

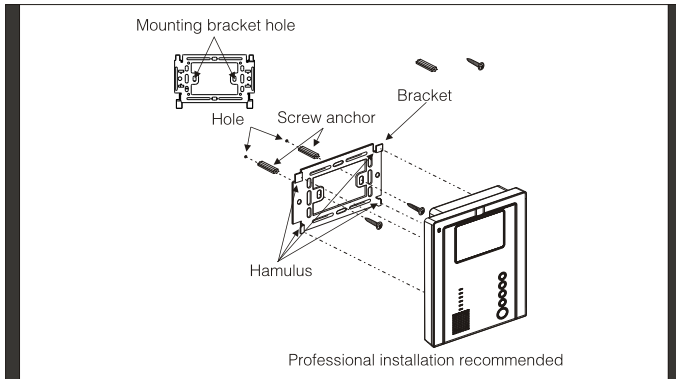
■ MT18 INSTALLATION DIAGRAMMATIC SKETCH



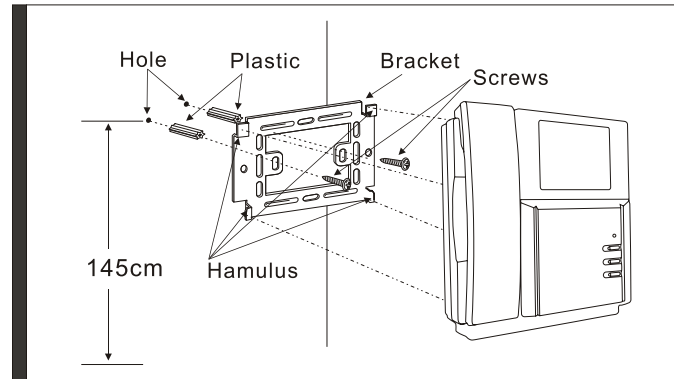
■ MT37 SERIES INSTALLATION DIAGRAMMATIC SKETCH



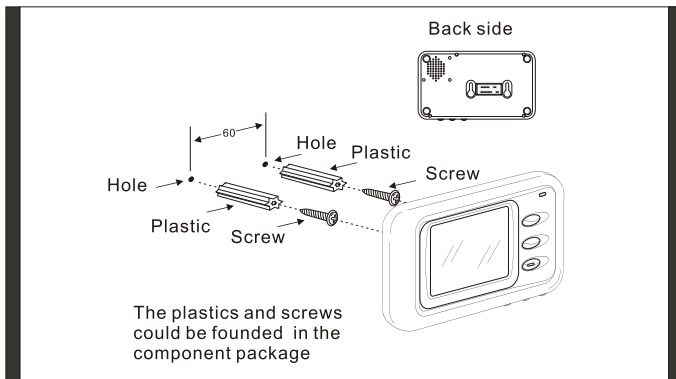
■ MT181 INSTALLATION DIAGRAMMATIC SKETCH



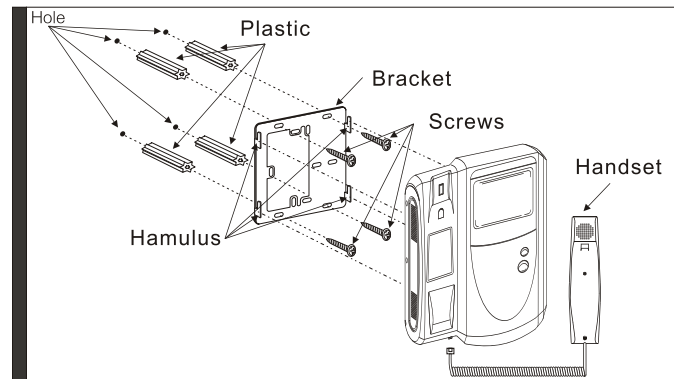
■ MT210 INSTALLATION DIAGRAMMATIC SKETCH



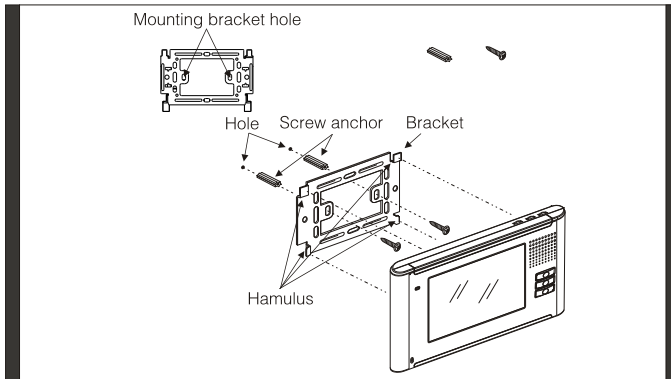
■ MT300 INSTALLATION DIAGRAMMATIC SKETCH



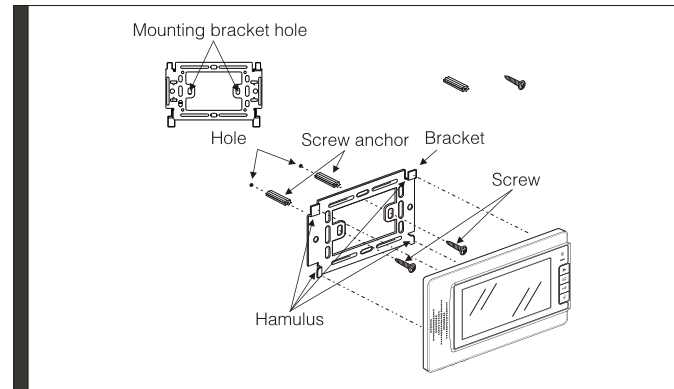
■ MT200 INSTALLATION DIAGRAMMATIC SKETCH



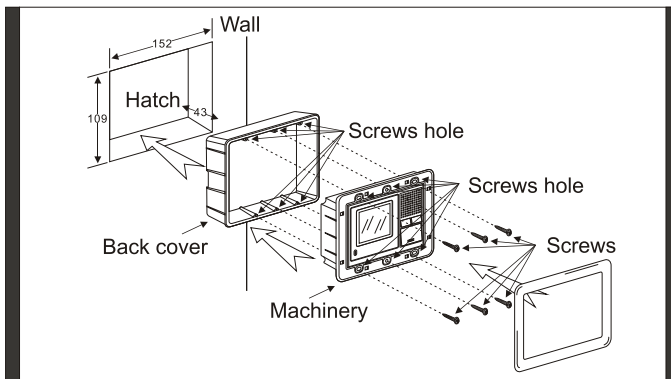
■ Mt333/361 INSTALLATION DIAGRAMMATIC SKETCH



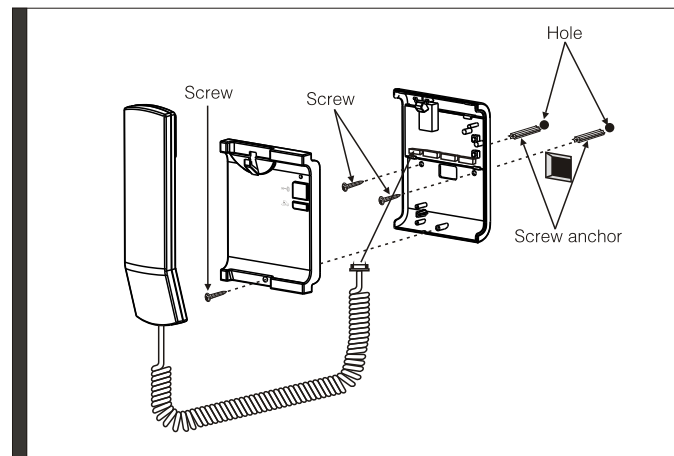
■ MT320 INSTALLATION DIAGRAMMATIC SKETCH



■ Mt360 INSTALLATION DIAGRAMMATIC SKETCH



■ MT8T INSTALLATION DIAGRAMMATIC SKETCH



INSTRUCTION:

1. Cables of LCC system: ① Non-wired cable. ② Diameter ≥ 0.5 mm², from outdoor station to the farthest monitor distance ≤ 70 m.
2. Each monitor should be parallel connected. One monitor can be extended 3 monitors as maximum extension. One monitor can be connected 2 outdoor stations as maximum.
3. Handset monitor only has 2 functional buttons. Hand-free monitor only has 2 functional buttons, not available for transferring-call function.
4. Built-in power supply video door phone can working with input AC voltage directly. Non-built-in power supply needs plus a power supply the specification is DC 14.5V 1.3A.

TECHNICAL PARAMETER

MODEL: SAC25B/C-CK SAC35B/C-CK	
Voltage: DC 14.5V	Temperature: -20~+55°C
Working current:100mA Stand by: 10mA	
Mode: dual transmission	Talkingtime: 2 minutes
Transmission distance ≤ 28 m, wire ≥ 0.2 mm ² Transmission distance ≤ 50 m, wire ≥ 0.3 mm ² Transmission distance ≤ 70 m, wire ≥ 0.5 mm ²	
Dimension: 90x130x43mm (involve waterproof)	

MODEL: SAC5B/C-CK SAC551B/C-CK	
Voltage: DC 14.5V	Temperature: -20~+55°C
Working current:100mA Stand by: 10mA	
Mode: dual transmission	Talkingtime: 2 minutes
Transmission distance ≤ 28 m, wire ≥ 0.2 mm ² Transmission distance ≤ 50 m, wire ≥ 0.3 mm ² Transmission distance ≤ 70 m, wire ≥ 0.5 mm ²	

MODEL: SAC50B/C-CK SAC561B/C-CK	
Voltage: DC 14.5V	Temperature: -20~+55°C
Working current:100mA Stand by: 10mA	
Mode: dual transmission	Talkingtime: 2 minutes
Transmission distance ≤ 28 m, wire ≥ 0.2 mm ² Transmission distance ≤ 50 m, wire ≥ 0.3 mm ² Transmission distance ≤ 70 m, wire ≥ 0.5 mm ²	

MODEL: SAC800B/C-CK	
Voltage: DC 14.5V	Temperature: -20~+55°C
Working current: 100mA Stand by: 10mA	
Mode: dual transmission	Talking time: 2 minutes
Transmission distance ≤ 28m, wire ≥ 0.2mm ² Transmission distance ≤ 50m, wire ≥ 0.3mm ² Transmission distance ≤ 70m, wire ≥ 0.5mm ²	
Dimension: 140x105x45mm (involve waterproof)	

MODEL: MT37 series	
Voltage: AC 100V~240V/50(60)Hz	Temperature: -10~+55°C
Working current: 200mA Stand by: 20mA	
Mode: dual transmission	Talking time: 2 minutes
Dimension: 240x175x38mm	

MODEL: MT333C-CK2	
Voltage: DC 14.5V	Temperature: -10~+55°C
Working current: 600mA Stand by: 50mA	
Image display: 5.8" TFT	Dimension: 220x110x28mm
Mode: dual transmission	Talking time: 2 minutes

MODEL: MT360T-CK2 MT361T-CK2	
Voltage: DC 14.5V	Temperature: -10~+55°C
Working current: 300mA Stand by: 50mA	
Mode: dual transmission	Talking time: 2 minutes
Dimension: 160x120x42mm	

MODEL: MT360C-CK2 MT361C-CK2	
Voltage: DC 14.5V	Temperature: -10~+55°C
Working current: 500mA Stand by: 50mA	
Mode: dual transmission	Talking time: 2 minutes
Transmission distance ≤ 28m, wire ≥ 0.2mm ² Transmission distance ≤ 50m, wire ≥ 0.3mm ² Transmission distance ≤ 70m, wire ≥ 0.5mm ²	
Power supply: built-outpower supply of PSU-SD5B-14V5 for each indoor monitor.	
Dimension: 160x120x42mm	

MODEL: MT18B/C-CK2 MT181B/C-CK2	
Voltage: DC 14.5V	Temperature: -10~+55°C
Working current: 600mA Stand by: 50mA	
Mode: dual transmission	Talking time: 2 minutes
Image display: 4" TFT	Dimension: 165x220x50mm

MODEL: MT350C-CK2	
Voltage: DC 14.5V	Temperature: -10~+55°C
Working current: 600mA Stand by: 50mA	
Mode: dual transmission	Talking time: 2 minutes
Image display: 5.8" TFT	Dimension: 220x110x25mm

MODEL: MT200 series	
Voltage: DC 14.5V	Temperature: -10~+55°C
Working current: 600mA Stand by: 50mA	
Mode: dual transmission	Talking time: 2 minutes
Dimension: 198x243x79mm	

MODEL: MT210 series	
Voltage: AC 100V~240V/50(60)Hz	Temperature: -10~+55°C
Working current: 200mA Stand by: 20mA	
Mode: dual transmission	Talking time: 2 minutes
Dimension: 205x220x50mm	

MODEL: MT320C-CK2	
Voltage: DC 14.5V	Temperature: -10~+55°C
Working current: 700mA Stand by: 50mA	
Mode: dual transmission	Talking time: 2 minutes
Transmission distance ≤ 28m, wire ≥ 0.2mm ² Transmission distance ≤ 50m, wire ≥ 0.3mm ² Transmission distance ≤ 70m, wire ≥ 0.5mm ²	
Power supply: built-out power supply of PSU-SD5B-14V5 for each indoor monitor.	
Dimension: 245x160x18mm	

MODEL: MT8T-CK2	
Voltage: DC 14.5V	Temperature: -10~+55°C
Working current: 250mA Stand by: 50mA	
Mode: dual transmission	Talking time: 2 minutes
Dimension: 198x95x45mm	