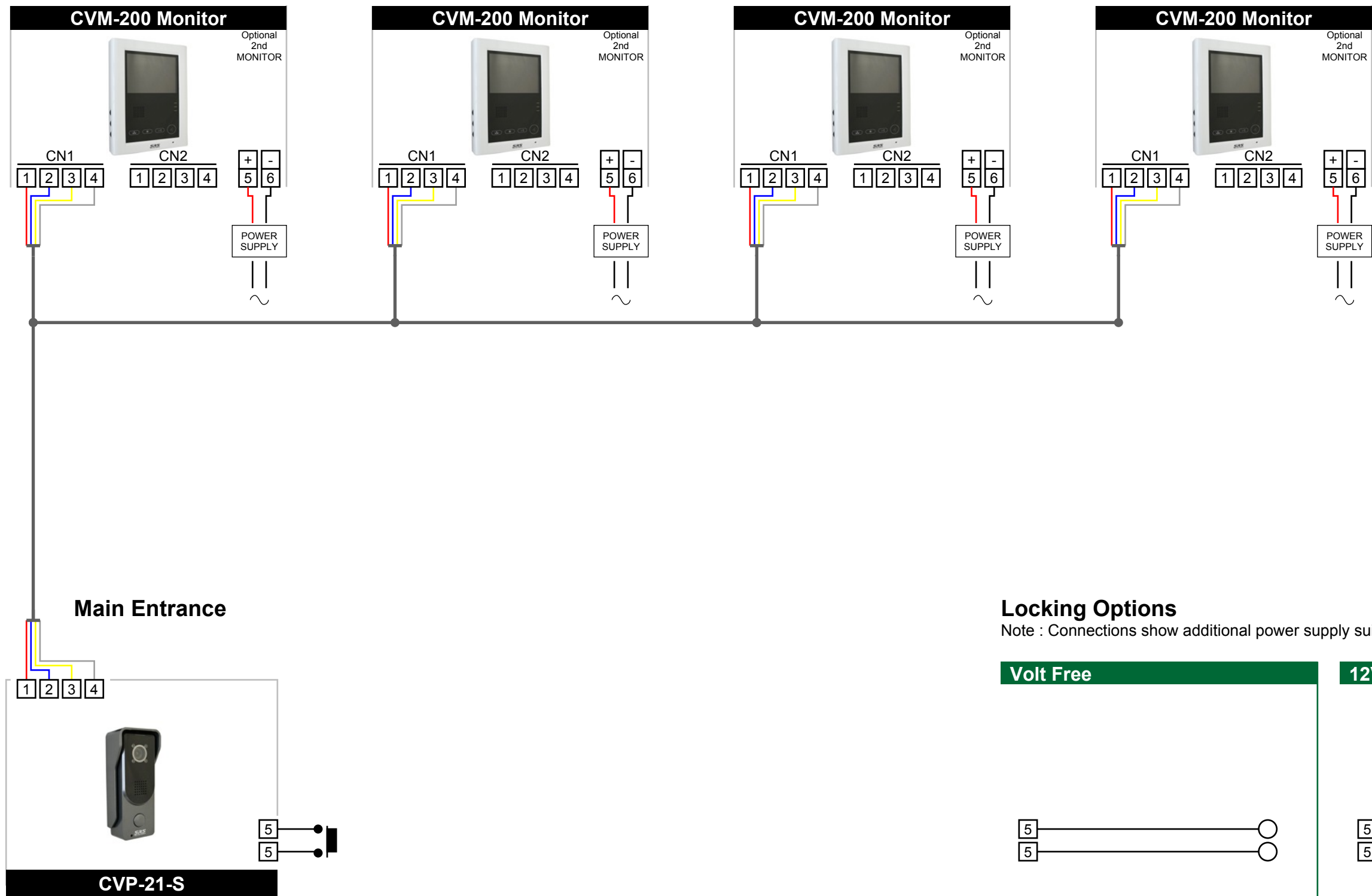


CVK Series video door entry system 1 call button, (calling 4 monitors) from 1 entrance panel



Installation Notes

Entrance Panel(s)
Ignore connections to 2nd entrance panel if not required.
Entrance panels with keypad will require 12V DC power for the keypad.
This power can be taken from the power supply used for the locking device and is supplied to the keypad via the 'C' terminal.

Cable
Distance < 25 metres 0.2mm cross sectional area (eg. CAT5E)
Distance < 50 metres 0.3mm cross sectional area
Distance < 70 metres 0.5mm cross sectional area

Make connections as shown in the diagram to avoid interference.

- 1 Red Audio
- 2 Blue V-
- 3 Yellow V+
- 4 White Video

- 5 Red PSU 14.5V DC
- 6 Black PSU 0V DC

Egress Button
Standard Panels - Connect to 5 & 5
Keypad Panels - Connect to EGR & 0V

Locking Options

Note : Connections show additional power supply suitable for the lock release used

