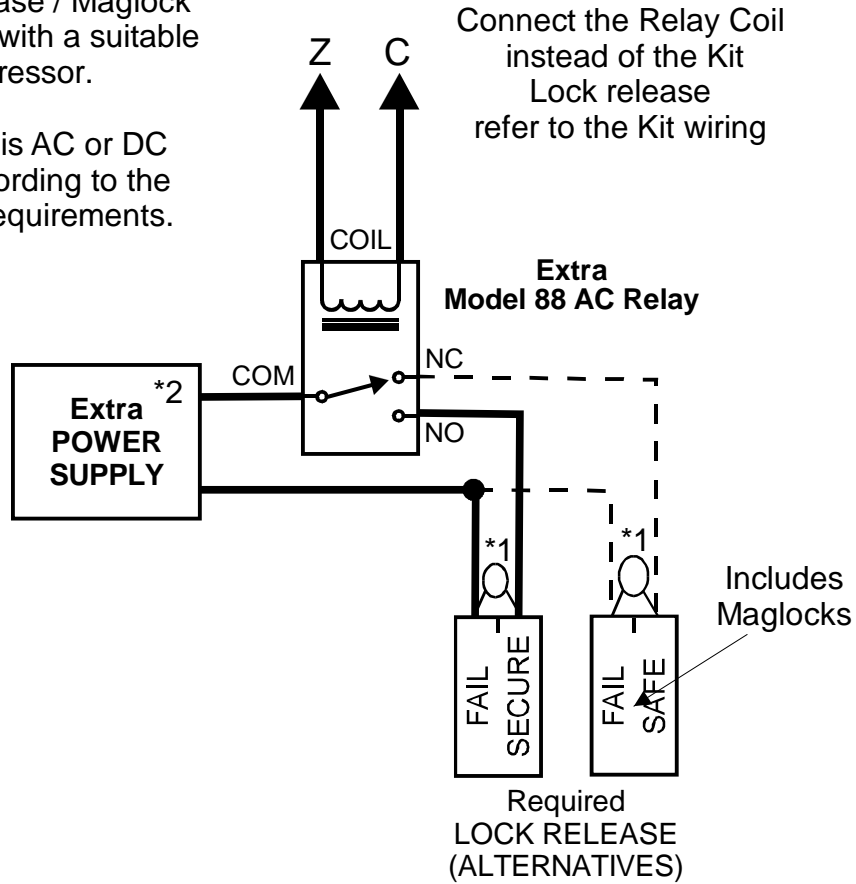


Connecting a High Current or Fail Safe Lock Release / Maglock to a 12V AC System

Applies to 900 and VRK Series Kits up to 10 Way

- *1 The Lock release / Maglock must be fitted with a suitable transient suppressor.
- *2 Power supply is AC or DC and rated according to the lock release requirements.



Suitable Bell System Power Supplies

Product	Description	Fail Safe	Fail Secure
340C	12V DC Power Supply	1.5A	
PS4	12V DC Power Supply	4A	4A
840	12V DC Power Supply	3A	
225	12V AC Power Supply This power supply incorporates a relay, eliminating the need for an external relay.	Not Applicable	2A