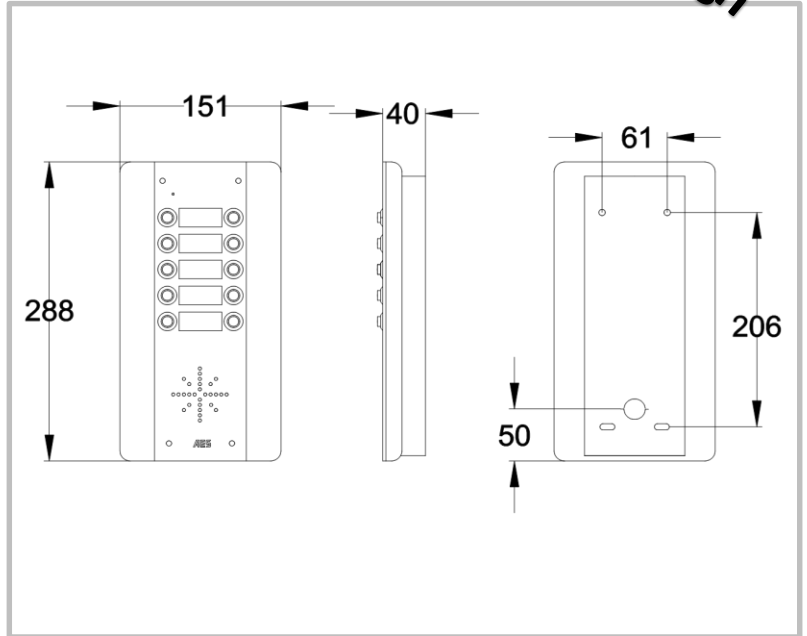


Cellcomprime

(Multi-Family)

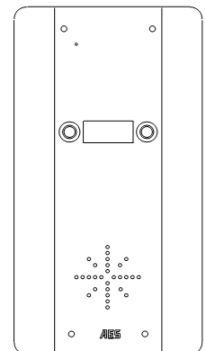
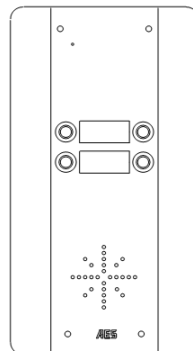
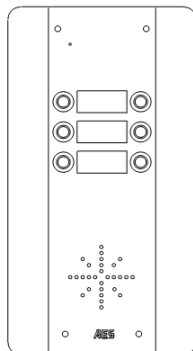
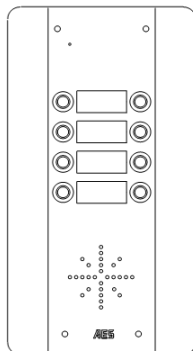
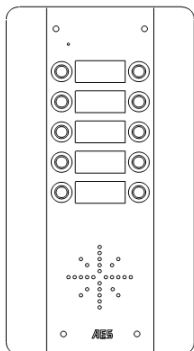
NEW
All in one
design

MultiButton



STAINLESS STEEL		STAINLESS STEEL- 3G Compatible (America/Europe)	
GSM-5AS2	2 button	GSM-5AS2/3G (add A for USA, E for EU/AUS)	2 button
GSM-5AS4	4 button	GSM-5AS4/3G (add A for USA, E for EU/AUS)	4 button
GSM-5AS6	6 button	GSM-5AS6/3G (add A for USA, E for EU/AUS)	6 button
GSM-5AS8	8 button	GSM-5AS8/3G (add A for USA, E for EU/AUS)	8 button
GSM-5AS10	10 button	GSM-5AS10/3G (add A for USA, E for EU/AUS)	10 button

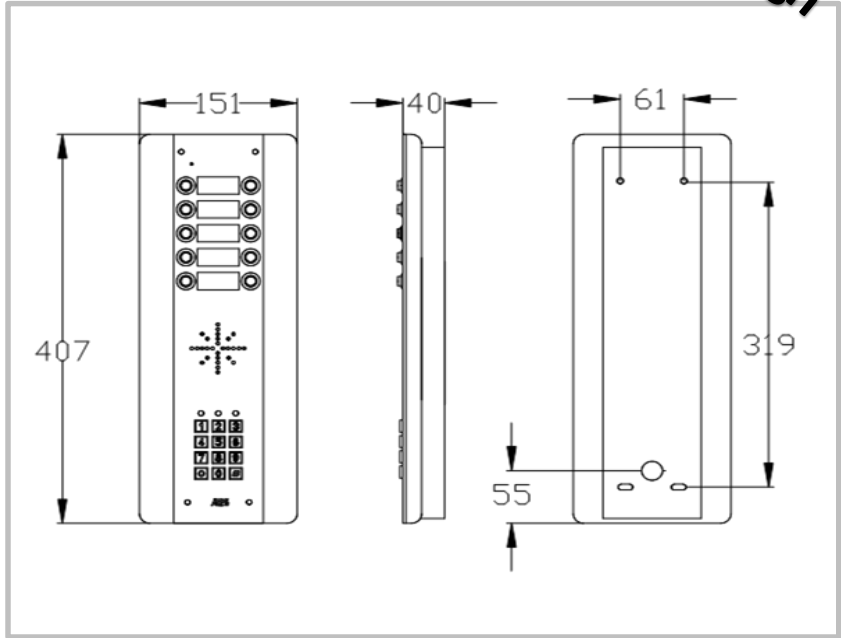
- Architectural panel for multi button installations.
- BS316 marine grade stainless steel construction.
- Kit includes speech panel, antenna, power supply and install manual.



Cellcomprime

Kits & Part numbers

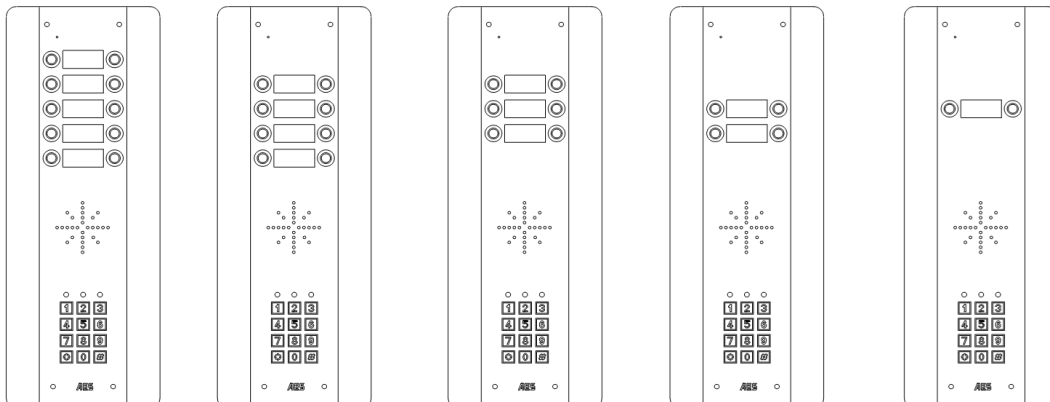
NEW
All in one
design



MultiButton

STAINLESS STEEL		STAINLESS STEEL-3G Compatible (America/Europe)	
GSM-5ASK2	2 button	GSM-5ASK2/3G (add A for USA, E for EU/AUS)	2 button
GSM-5ASK4	4 button	GSM-5ASK4/3G (add A for USA, E for EU/AUS)	4 button
GSM-5ASK6	6 button	GSM-5ASK6/3G (add A for USA, E for EU/AUS)	6 button
GSM-5ASK8	8 button	GSM-5ASK8/3G (add A for USA, E for EU/AUS)	8 button
GSM-5ASK10	10 button	GSM-5ASK10/3G (add A for USA, E for EU/AUS)	10 button

- Architectural panel for multi button installations.
- BS316 marine grade stainless steel construction.
- Kit includes speech panel, antenna, power supply and install manual.

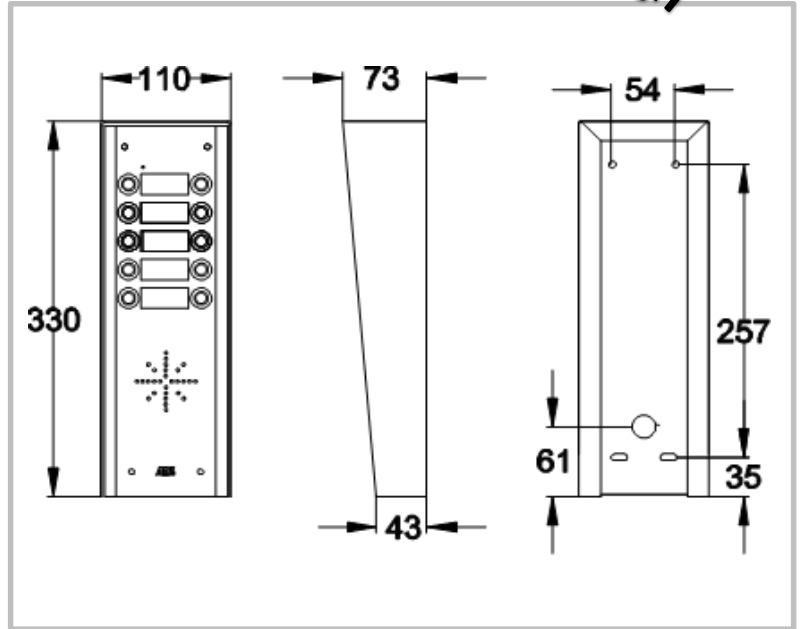


Cellcomprime

Kits & Part numbers

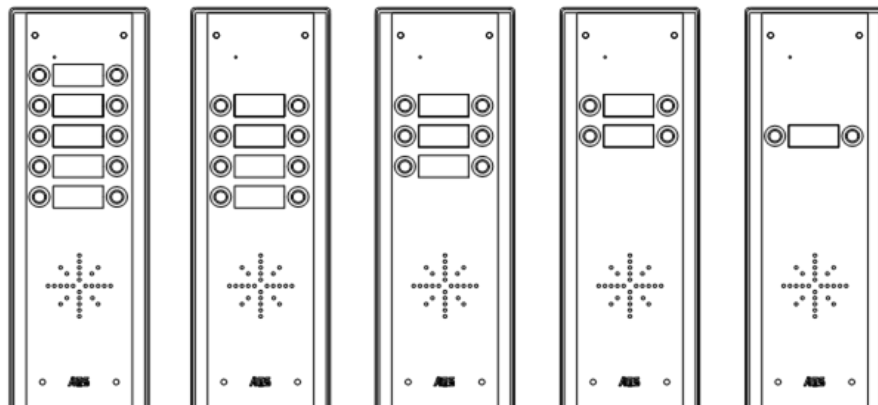
NEW
All in one
design

MultiButton



STAINLESS STEEL		STAINLESS STEEL-3G Compatible (America/Europe)	
GSM-5HS2	2 button	GSM-5HS2/3G (add A for USA, E for EU/AUS)	2 button
GSM-5HS4	4 button	GSM-5HS4/3G (add A for USA, E for EU/AUS)	4 button
GSM-5HS6	6 button	GSM-5HS6/3G (add A for USA, E for EU/AUS)	6 button
GSM-5HS8	8 button	GSM-5HS8/3G (add A for USA, E for EU/AUS)	8 button
GSM-5HS10	10 button	GSM-5HS10/3G (add A for USA, E for EU/AUS)	10 button

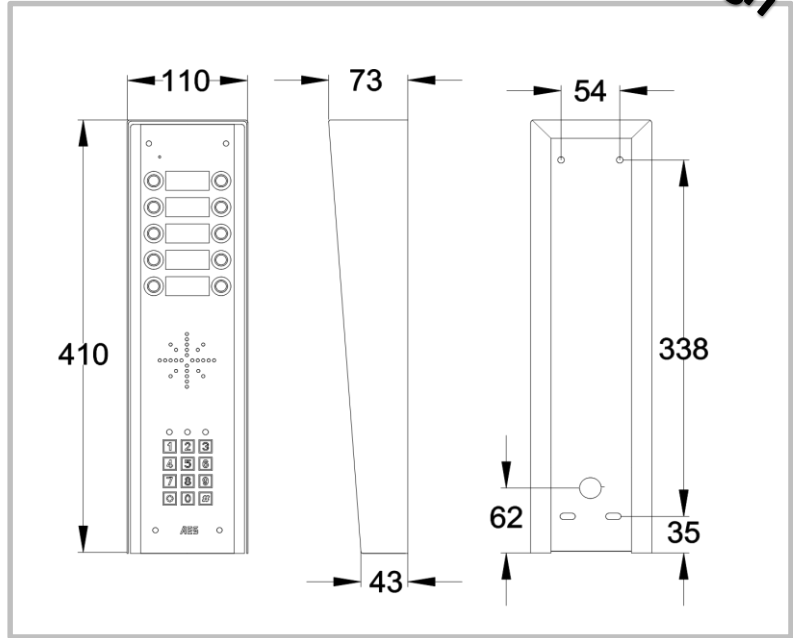
- Hooded panel for multi button installations.
- BS316 marine grade stainless steel construction.
- Kit includes speech panel, antenna, power supply and install manual.



Cellcomprime

Kits & Part numbers

NEW
All in one
design



MultiButton

STAINLESS STEEL		STAINLESS STEEL-3G Compatible (America/Europe)	
GSM-5HSK2	2 button	GSM-5HSK2/3G (add A for USA, E for EU/AUS)	2 button
GSM-5HSK4	4 button	GSM-5HSK4/3G (add A for USA, E for EU/AUS)	4 button
GSM-5HSK6	6 button	GSM-5HSK6/3G (add A for USA, E for EU/AUS)	6 button
GSM-5HSK8	8 button	GSM-5HSK8/3G (add A for USA, E for EU/AUS)	8 button
GSM-5HSK10	10 button	GSM-5HSK10/3G (add A for USA, E for EU/AUS)	10 button

- Hooded panel with keypad for multi button installations.
- BS316 marine grade stainless steel construction.
- Kit includes speech panel, antenna, power supply and install manual.

