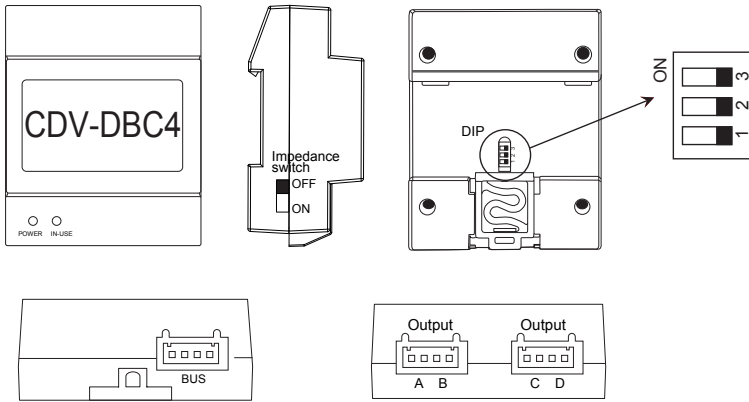


## 1. Parts and Functions



IN-USE:Status indicator,it will light up when receives signal.

POWER:Working indicator,it will light up when plugs in power supply.

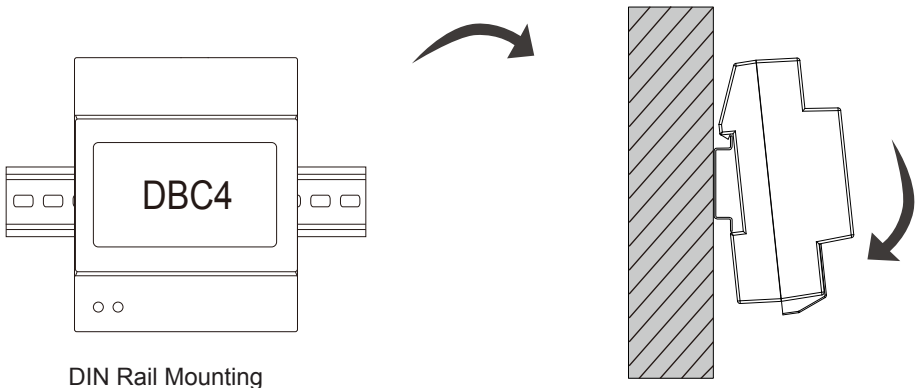
Impedance Switch:Video match switch,the last CDV-DBC4 at the end of the bus should set ON to match the video impedance, the power indicator will turn to orange after setting.

Bus:Input port,bus connection port.

A,B,C,D:Output port,connect to indoor monitors or door stations.

DIP :Used for current control when connected with different devices.

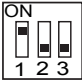


## 2. Unit Mounting



DIN Rail Mounting

### 3. DIP Switch Setting

The DIP switch in the back of the panel is used to adjust the terminal start-up current. Please refer to the followings for more detail informations about the DIP settings:

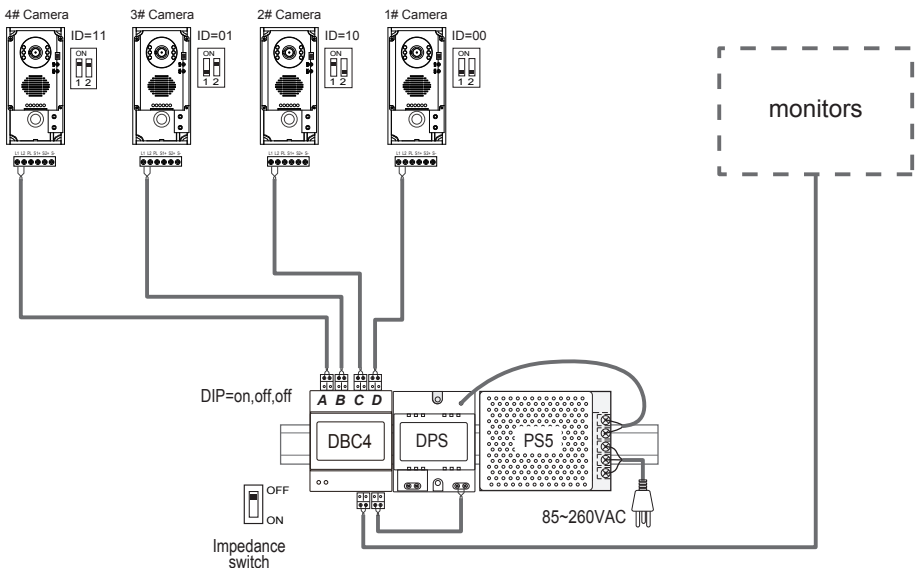
DIP	Bit State	Descriptions
	ON,OFF,OFF	The output port A,B,C,D connected with the device such as monitor(all 2-wire monitors),outdoor camera(CDV-9x),and CDV-MW series without ID function model.
	OFF,ON,OFF	The output port A,B,C,D connected with DMR11 series with ID function model.
	OFF,OFF,ON	The output port A,B,C,D connected with DMR18 or DMR18/ID series door station.

Please note that CDV-9x(like CDV-91) and CDV-DDP can not be connected to the same DBC4, If it happen,please use two DBC4.

The same situation as CDV-MW4ID and CDV-DDP model.

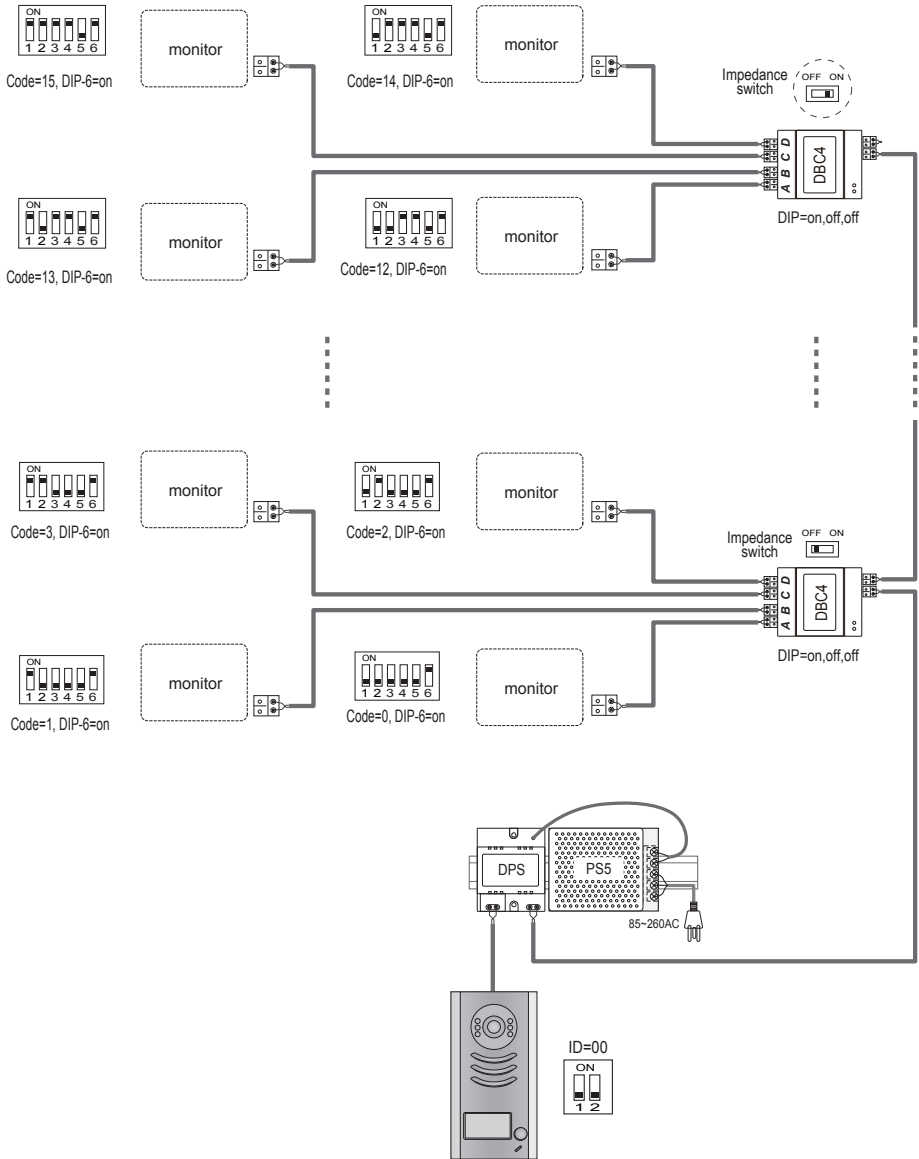
### 4. System Wiring with DBC4

Mult Door Station Wiring:



Note:the diagram uses CDV-91 as an example.

# Mult Monitors Wiring:



## 5. Specification

Power Supply :	DC24V
Working Temperature:	-10°C~+40°C;
Wiring:	2 wires (non-polarity);
Dimension:	89(H)×70(W)×45(D)mm

The design and specifications can be changed without notice to the user. Right to interpret and copyright of this manual are preserved.