

NEW
Up to 14 users
with the
PLANUX
monitor!!

iPower BY Comelit



The first and
only wireless
video door
entry system

Our achievement: **the impossible**



iPower by Comelit



...is now entirely possible!



All you need for a video door entry phone in your home is a 110/120V AC or 220/240V AC electrical power supply point (door bell, entrance light, electronic door-release device...).

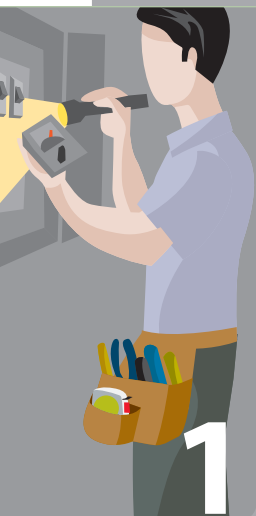


Town centre locations
Rural cottages
Luxury apartment and
commercial buildings
Renovations



Previously...

Where there was no existing system, installing a video entry phone was an onerous undertaking! It often meant stressful, exhausting and time-consuming building work, involving major operations both internally and externally.



1
Electrician
site
inspection



2
Builder
to create cable ways



3
Redecoration,
painting the walls



4
Nuisance of dust, noise
and upheaval internally



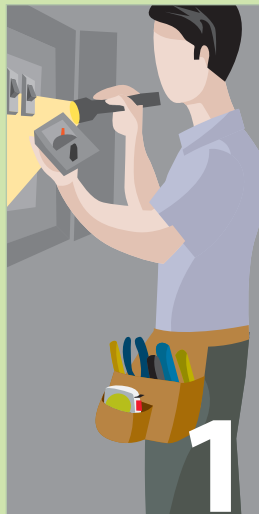
5
External creation of duct
work to install the cables for
the video door entry system

iP by Comelit **wer**

Finally, the freedom to install a video door entry phone system anywhere.

from now on...

With iPower, straightforward installation means instant results. If you have an external power supply point, simply contact your Qualified Electrician to get the job done in no time.



Electrician site inspection and system installation



The video system entry phone is installed!





Reasons for choosing

iPower BY Comelit

* Up to 14 users

iPower kits are expandable; in fact it is now possible to construct systems of up to 14 users.



* Systems can be created anywhere

No building work required internally or externally Even in rural cottages, period homes and town centre apartment buildings.



Advantages for the installer



* No wiring is necessary

The system is connected directly to existing mains power supply.



* 14 internal units per call

Once the system has been set up using the iPower device, simply configure the door entry monitor to include several units.



* No building work required internally or externally

iPower does not require any indoor system installation or wiring procedures.



Every electric socket can be a video entry monitor unit

You can connect a video monitor entry phone station to any electrical socket.



Simple system interface

Straightforward programming, customisation and day-to-day operation.



- On screen display menu with icons
- Voice message transmitted outdoors
 - Camera self-ignition
 - Privacy functions
- Function status indicator LEDs
 - Door-opening
 - Full-Duplex

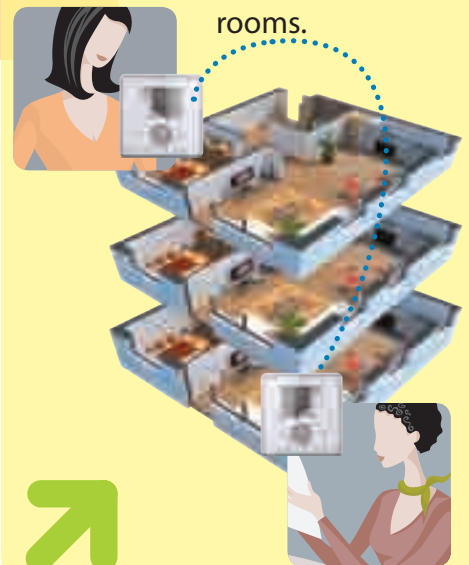
Video memory function

If the property is empty or if a call is not answered, the system records audio/video messages.



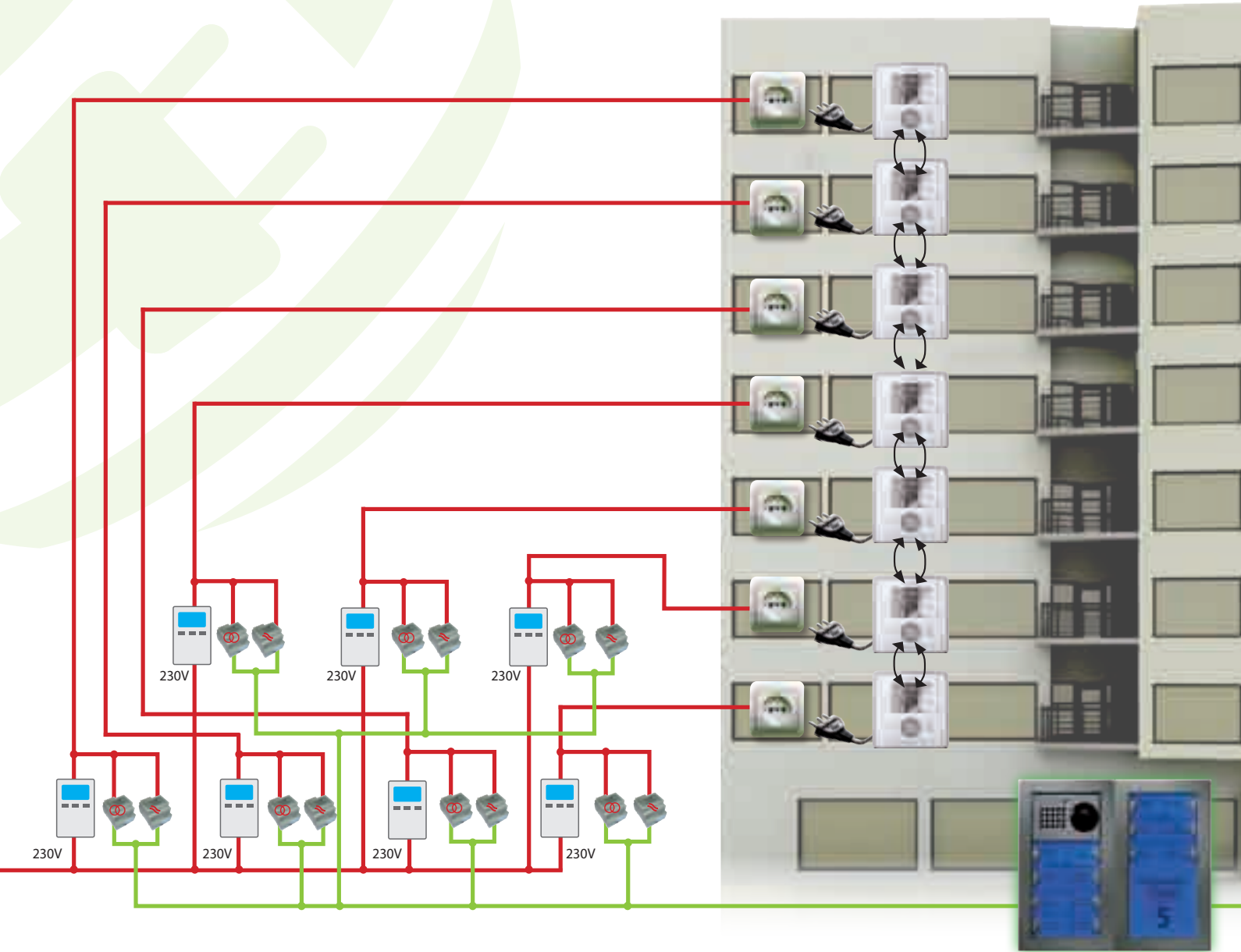
Video monitor with portability and intercommunication

Wherever you go, the video entry monitor will follow, allowing communication between different rooms.

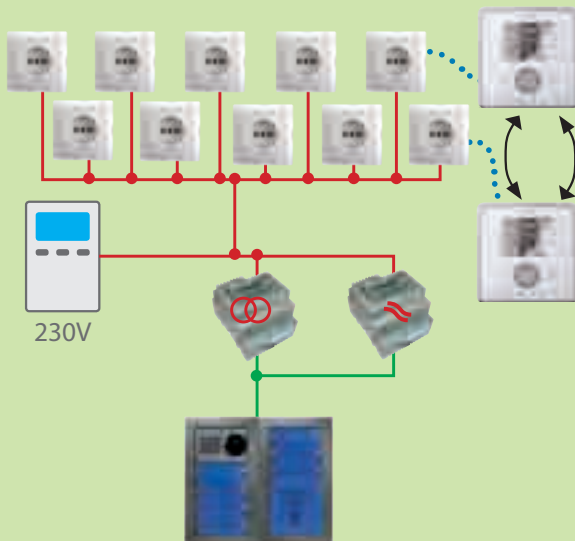


Advantages for the Users

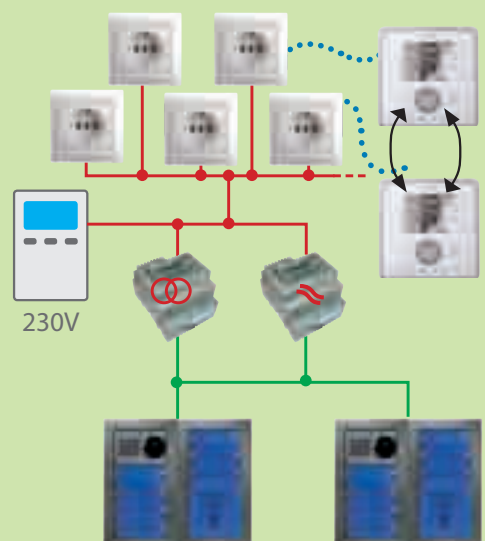




Single-residence system on two levels



Single-residence system with 2 main entrances



Block of flats with 14 apartments

LEGEND

— 110/120V AC - 220/240V AC (ALREADY EXISTING CONNECTIONS)

⊗ TRANSFORMER

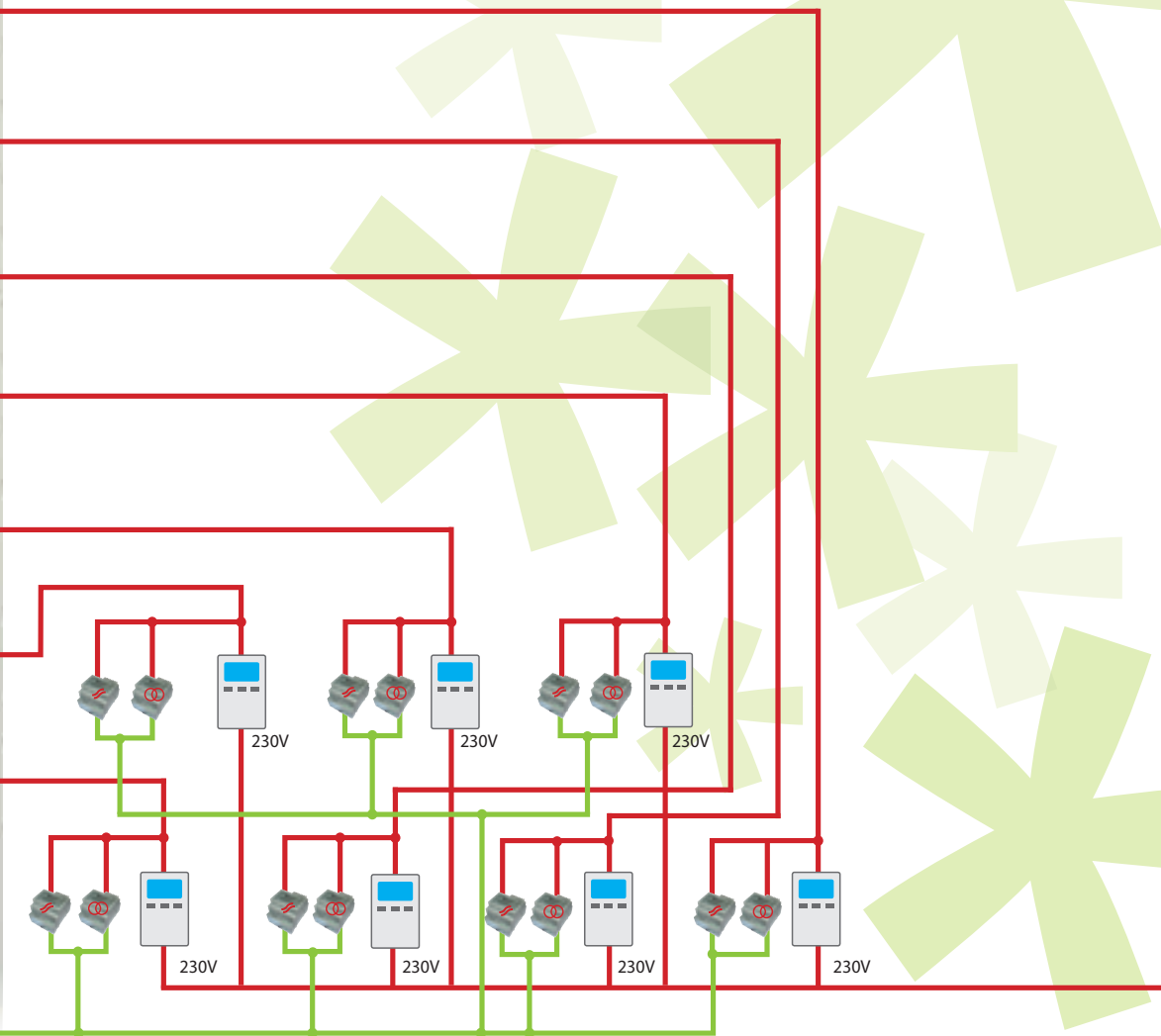
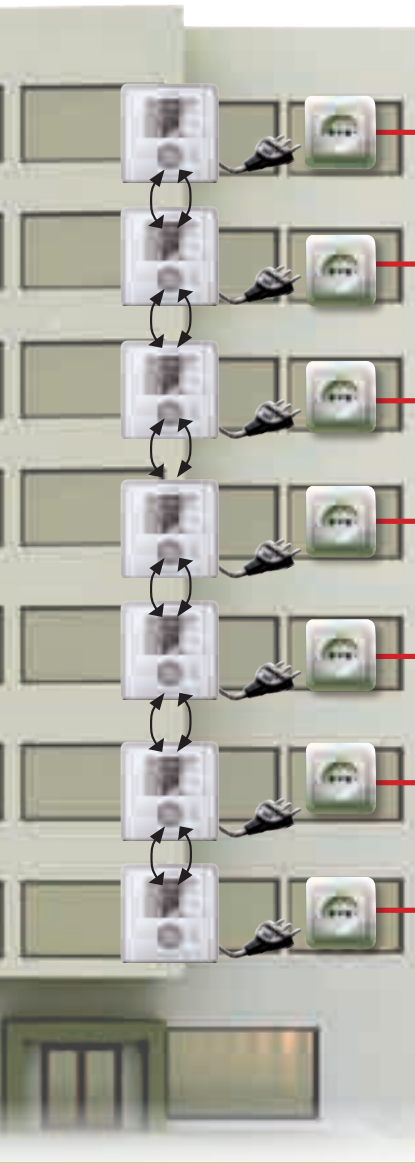
⊞ IPOWERT BRIDGE

— 12VAC

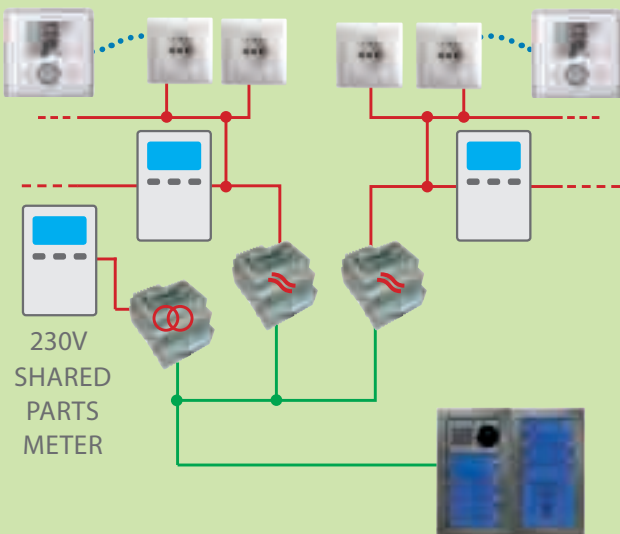
⚡ ELECTRICAL

⚡ SUPPLIER METER

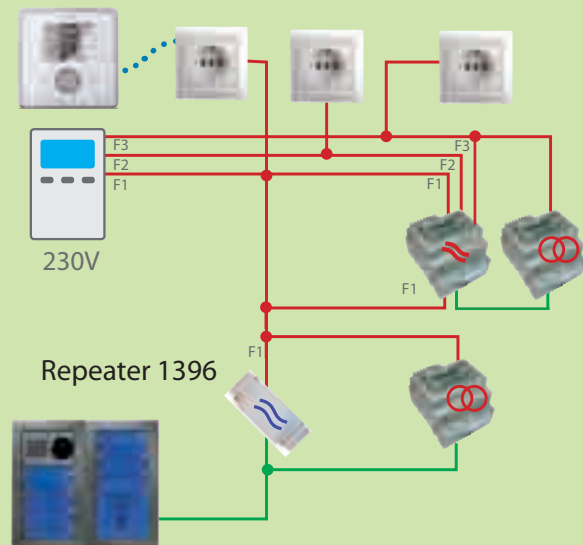
↕ INTERCOMMUNICATION



Two-residence system with a single entrance (shared parts meter)



Three-phase single residence system





Art. 8595

Single-residence kit



6201W Planux video monitor, colour: all white, ipower system

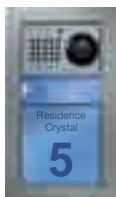
Colour monitor with 3.5" OSD. It features "sensitive touch technology", full-duplex hands-free function and audio, ringtone, colour and contrast controls. It has 1 key button, 1 enable/disable audio button, 1 privacy or doctor function button which can be selected via the menu, 1 self-ignition button, 2 buttons for various uses and 4 buttons for entry, confirmation and navigation within the menus. The ringtone can be customised by choosing one of several polyphonic melodies. There is also a video memory function, a 20-second absent message and an internal directory for the management of intercom calls. The monitor has an SD Card on which audio-video messages are stored and which allows further customisation of melodies. Colour: All White. Dimensions 145 x 145 x 33 mm.



6101N Black - Templates Classic

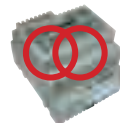
4891A iPower external audio-video unit with 1 call pushbutton.

External unit with 1/4" CCD colour camera, white LED illumination, loudspeaker volume control and aluminium call pushbutton with name label. 2 relays (C NO-NC contacts) are available and may be directly activated through the monitor. Complete with die-cast aluminium module frame and flushmounting box. Dimensions: 125x215x15,5 mm.



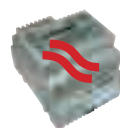
6240 Planux monitor bracket for iPower system complete with power supply unit and desk base.

Bracket for iPower system, required for the internal unit Planux monitor. Complete with iPower power supply unit and desk base.



1397 Transformer 0-110-240V AC-12V AC

Transformer with 0-110-240V AC primary winding and 0-12 V AC secondary winding. The transformer is fitted with an internal protection PTC element. Dimensions: 105x95x65 mm (6 DIN modules).



1398 iPower bridge module

Bridge module between external units and internal video entry phones. Designed for connection to single-phase/two-phase/three-phase residential mains electricity systems with nominal phase-phase voltage between 220V and 400V, and phase-neutral voltage between 110V and 240V. Terminal for local power supply of 12V AC. Dimensions: 105x95x65 mm (6 DIN modules).



Art. 8596*

Expandable two-family kit

- * art. 8595U version with 110V/120V for US market
- * art. 8596U version with 110V/120V for US market
- * art. 8595UK version with 220V/240V for UK market
- * art. 8596UK version with 220V/240V for UK market

KIT ACCESSORIES



6201W Planux video monitor, colour: all white, iPower system

Colour monitor with 3.5" OSD. It features "sensitive touch technology", full-duplex hands-free function and audio, ringtone, colour and contrast controls. It has 1 key button, 1 enable/disable audio button, 1 privacy or doctor function button which can be selected via the menu, 1 self-ignition button, 2 buttons for various uses and 4 buttons for entry, confirmation and navigation within the menus. The ringtone can be customised by choosing one of several polyphonic melodies. There is also a video memory function, a 20-second absent message and an internal directory for the management of intercom calls. The monitor has an SD Card on which audio-video messages are stored and which allows further customisation of melodies. Colour: All White. Dimensions: 145 x 145 x 33 mm.



6101N Black - Templates Classic

4891A iPower external audio-video unit with 1 call pushbutton.

Complete with frame and flush-mounting box
External unit with 1/4" CCD colour camera, white LED illumination, loudspeaker volume control and aluminium call pushbutton with name label. 2 relays (C NO-NC contacts) are available and may be directly activated through the monitor. Complete with die-cast aluminium module frame and flushmounting box. Dimensions: 125x215x15,5 mm.



6240 Planux monitor bracket for iPower system complete with power supply unit and desk base.

Bracket for iPower system, required for the internal unit Planux monitor. Complete with iPower power supply unit and desk base.



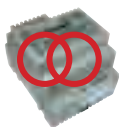
1397 Transformer 0-110-240V AC-12V AC

Transformer with 0-110-240V AC primary winding and 0-12 V AC secondary winding. The transformer is fitted with an internal protection PTC element. Dimensions: 105x95x65 mm (6 DIN modules).



1398 iPower bridge module

Bridge module between external units and internal video entry phones. Designed for connection to single-phase/two-phase/ three-phase residential mains electricity systems with nominal phase - phase voltage between 220V and 400V, and phase - neutral voltage between 110V and 240V. Terminal for local power supply of 12V AC. Dimensions: 105x95x65 mm (6 DIN modules).



6231 Planux monitor basket for iPower System
Bracket for VIP and iPower system, required for the internal unit with Planux monitor. It handles floor door calls, call repetition and panic and alarm inputs as standard (functions not available for iPower system). Dimensions: 96 X 106 X 17 mm.



6112 Desktop base with 8 terminals for Planux monitor

Desktop base for converting the Planux monitor for desktop use. Complete with 2 m of RJ45 terminated cable for the use of RJ45 wall sockets and connection box. Dimensions: 145X190X120 mm.



4670C iPower audio-video unit

iPower audio-video unit with terminal block, complete with 1/4" CCD colour camera (adjustable from the front) and LED camera illumination. Complete with audio speaker unit featuring a double amplifier, waterproof loudspeaker and electret microphone; the loudspeaker volume may be adjusted from the front. Dimensions: 102x55x35 mm.



1396 Repeater passivo iPower

Coupler module between 12 Vac of entrance panel and one phase of 110-240 Vac main electrical power. Necessary when only one phase is available at the entrance panel. With 1398 Bridge the signal will be directed over the other phases. Dimensions: 36x65x83 mm. 1397 Transformer 0-110-240V AC-12V AC Transformer with 0-110-240V AC primary winding and 0-12 V AC secondary winding. The transformer is fitted with an internal protection PTC element. Dimensions: 105x95x65 mm (6 DIN modules).



3110 Flush-mounted box for entrance panel.

No. of Modules	Art.	Dimensions
1	3110/1	118x118x45 mm
2	3110/2	118x207x45 mm
3	3110/3	118x297x45 mm
4	3110/4	118x397x45 mm



3311 Module-holder frame complete with cornice for entrance panel.

Made in die-cast aluminium and coated with special weatherresistant paint.
Modules White Silver Anthracite Dimensions
1 3311/1W 3311/1S 3311/1A 125x125x15,5 mm
2 3311/2W 3311/2S 3311/2A 125x215x15,5 mm
3 3311/3W 3311/3S 3311/3A 125x305x15,5 mm
4 3311/4W 3311/4S 3311/4A 125x395x15,5 mm
* The cornice is also available in the following colours: Grey (3311/G), Blue (3311/B) and Orange (3311/O).



3323 Call pushbutton modules

No. Pushbuttons	Article	Dimensions
3	3323/3	112X89.5X40 mm
4	3323/4	112X89.5X40 mm
6	3323/6	112X89.5X40 mm



Comelit®

Passion and Innovation

[I] Comelit Group Spa

Via Don Arrigoni, 5
24020 Rovetta S. Lorenzo (BG)
Tel. +39 0346 750 011
Fax +39 0346 714 36
www.comelit.eu
info@comelit.it

[B] Comelit Group Belgium

Doornveld 170
1731 Zellik (Asse)
Tel. +32 (0) 24115099
Fax +32 (0) 24115097
www.comelit.be - info@comelit.be

[D] Comelit Group Germany GmbH

Brusseler Allee 23- 41812 Erkelenz
Tel. +49 243190151-23 • +49 243190151-24
Fax +49 24319015125
www.comelit.de - info@comelit.de

[E] Comelit Espana S.L.

Josep Estivill 67-69 - 08027 Barcelona
Tel. +34 932 430 376
Fax +34 934 084 683
www.comelit.es
info@comelit.es

[F] Comelit Immotec

Siège: 18, rue Séjourné
94000 CRETEIL CEDEX
Tél. +33 (0) 1 43 53 97 97
Fax +33 (0) 1 43 53 97 87
www.comelit.fr
contact@comelit-immotec.fr

[GR] Comelit Hellas

9 Epiru str.
16452 Argiroupolis - Athens Greece
Tel. +30 210 99 68 605-6
Fax +30 210 99 45 560
www.comelit.gr - telergo@otenet.gr

[IRL] Comelit Ireland

Suite 3 Herbert Hall
16 Herbert Street - Dublin 2
Tel. +353 (0) 1 619 0204
Fax +353 (0) 1 619 0298
www.comelit.ie - info@comelit.ie

[NL] Comelit Nederland BV

Buitendijks 1-3356 LX Papendrecht
Tel. +31 786511201
Fax +31 786170955
www.comelit.nl - info@comelit.nl

[PRC] Comelit (Shanghai) Electronics Co.,Ltd

5 Floor No. 4 Building No.30,
Hongcao Road,
Hi-Tech Park Caohejing,
Shanghai, China
Tel. +86-21-64519192/9737/3527
Fax +86-21-64517710
www.comelit.com.cn
comelit@comelit.com.cn

[RU] Comelit Russia

Partiyiny per., n.1,
korp.58, stroenie 1,
6 floor, off. 21, 115093,
Moscow
+7(495)644-20-97
www.comelit.ru
info@comelit.ru

[SG] Comelit Far East

Block 1160, Depot Road #06-04
Telok Blangah Industrial Estate
Singapore 109674
Tel. +65-6748 8563
Fax +65-6748 8584
office@comelit.sg

[UAE] Comelit Group U.A.E. Middle East Office

P.O. Box 54433
Dubai U.A.E.
Tel. +971 4 299 7533
Fax +971 4 299 7534
www.comelit.ae
info@comelit.ae

[UK] Comelit Group UK Ltd

Unit 4 Mallow Park
Watchmead Welwyn Garden City
Herts AL7 1GX
Tel: +44 (0)1707377203
Fax: +44 (0)1707377204
www.comelitgroup.co.uk
info@comelitgroup.co.uk

[USA] Comelit Usa

250 W. Duarte Rd. Suite B
Monrovia, CA 91016
Tel. +1 626 930 0388
Fax +1 626 930 0488
www.comelitusa.com
sales@comelitusa.com

Via Don Arrigoni 5 - 24020 Rovetta S. Lorenzo - Bergamo [Italy]
Tel. +39 (0) 346 750011 - Fax +39 (0) 34671436 - www.comelit.eu - info@comelit.it

