





Simplebus 2. The new video entry phone system.

Welcome to Simplebus 2.

You certainly already know **Simplebus** and the revolution which its launch in 1999 brought about.

Well, here at **Comelit** we didn't rest on our laurels and we have made it even better.

Simplebus seemed to be almost perfect, but we knew that everything can be improved. In fact, we were determined to achieve a higher, almost absolute, level of simplicity. We wanted to create a video door entry system which would allow the work to be done saving a great deal of time – a system so simple that installation becomes almost relaxing. You can check and see whether we have managed to do this on the pages which follow.

We believe we really have.

Simplebus 2

50% less time for installation.

Simplebus 2 is the new **2-wire digital system, monitor power supply included**, designed as a result of Comelit technology, which revolutionises the installer's work.

The first great advantage **Simplebus 2** offers you are enormous time-savings, and we all know how valuable time is.

Constructing an installation with **Simplebus 2** means saving more than half the time required, due to elimination of all the return conductors from the external units and, in the case of video entry phone installations, elimination of the coaxial cable, of the video distributors and of the power supply of each monitor.

The greater simplicity of **Simplebus 2** considerably reduces the possibility of errors during the cabling and installation stage, thereby reducing installation costs even further.



Simplebus 2

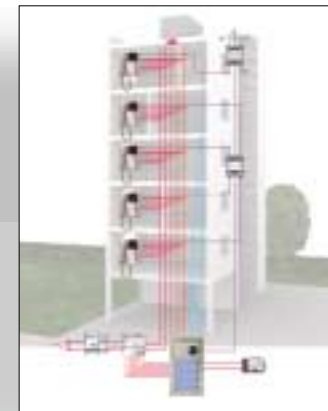
2 wires, power supply included.

Comelit eliminates the wires of the monitor power supply as well.



Traditional system

With the traditional system, a return wire for each user is needed, and in the case of a video system, the coaxial cable and a video distributor are required for every 4 users.



Simplebus 2 system

With the Simplebus system, all the return conductors from the individual flats are eliminated, as well as the coaxial cable and the video distributors. Just 2 unpolarised wires in parallel are sufficient to build a video door entry phone system up to 240 users, including the monitor power.

Yes, that's right! 2 unpolarised wires, and not even necessarily twisted, to build a video door entry phone system with 240 users, when distributed over several risers.

You will certainly have already noticed the difference compared with any other existing system. You will have understood the significance of this perfectly, simply by making a rapid calculation. All this means an extraordinarily simple installation. An impossible result until today.

Simplebus 2

From **1** to **240** users.



We believe that that's not a low number. 100 users per riser up to a total of 240.

There is no other system offering this possibility?

This, too, means working smarter all the time. Furthermore, any type of system can be built, from small homes, to blocks of flats and large residential complexes - all with just 2 wires.

240 users connected with just 2 wires, monitor power supply included.

Do you think that is low?

Simplebus 2

Up to a distance of **600 metres.**



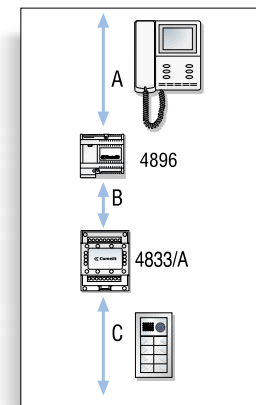
No, its not a race more about distance.

Simplebus 2 allows the connection of an external unit to be 350M away from the furthest monitor. Simply by adding a line amplifier this distance can be increased to **600M**.

Simplebus 2





Uses any **type of cable.**

Simplebus 2 operates with any type of cable: dedicated Comelit cable, two-wire unbraided cable, braided and shielded cable, and twisted pair cable.



With **Simplebus 2** there is no worry about cables. Once again we believe that here we have achieved an excellent result to help you work better.

Simplebus 2 is therefore ideal in refurbishment work as it allows existing cables to be used, without having to take them out or carry out masonry work to allow new conduits to be installed. For the same reason, what is a simple door entry phone system today, can become a video door entry phone system tomorrow using the same cables and by simply replacing the telephone with a video entry phone. The **Simplebus 2** technology also makes it possible to install mixed systems, with door and video entry phones present at the same time (in this case, the dedicated telephone art. 2428W has to be used).

Types of cable	Max. distance between mixer and internal unit	Max. distance between art.4833/A and mixer art.4896	Max distance between external unit and art. 4833/A
	A	B	C
 dedicated Comelit cable art. 4577 (1 mm ² sect.)	200 m	200 m	200 m
 two-wire cable (1.5 mm ² sect.)	150 m	100 m	100 m
 braided and shielded cable (1 mm ² sect.)	120 m	80 m	80 m
 twisted pair cable (0.28 mm ² sect.)	100 m	150 m	150 m

Maximum distances and characteristics of the conductors.
 Connection of the apparatus is of the unpolarised type. The use of conductors with characteristics other than those specified does not guarantee reaching certain site distances or the good quality of the video signal, therefore only use the cables described in the following tables.

Simplebus 2

Infinite site solutions.

With Simplebus 2 technology, systems with an unlimited number of main and secondary entrances and, where required, with a central porter switchboard can be constructed.



Several communications from main and secondary entrances are possible at the same time.



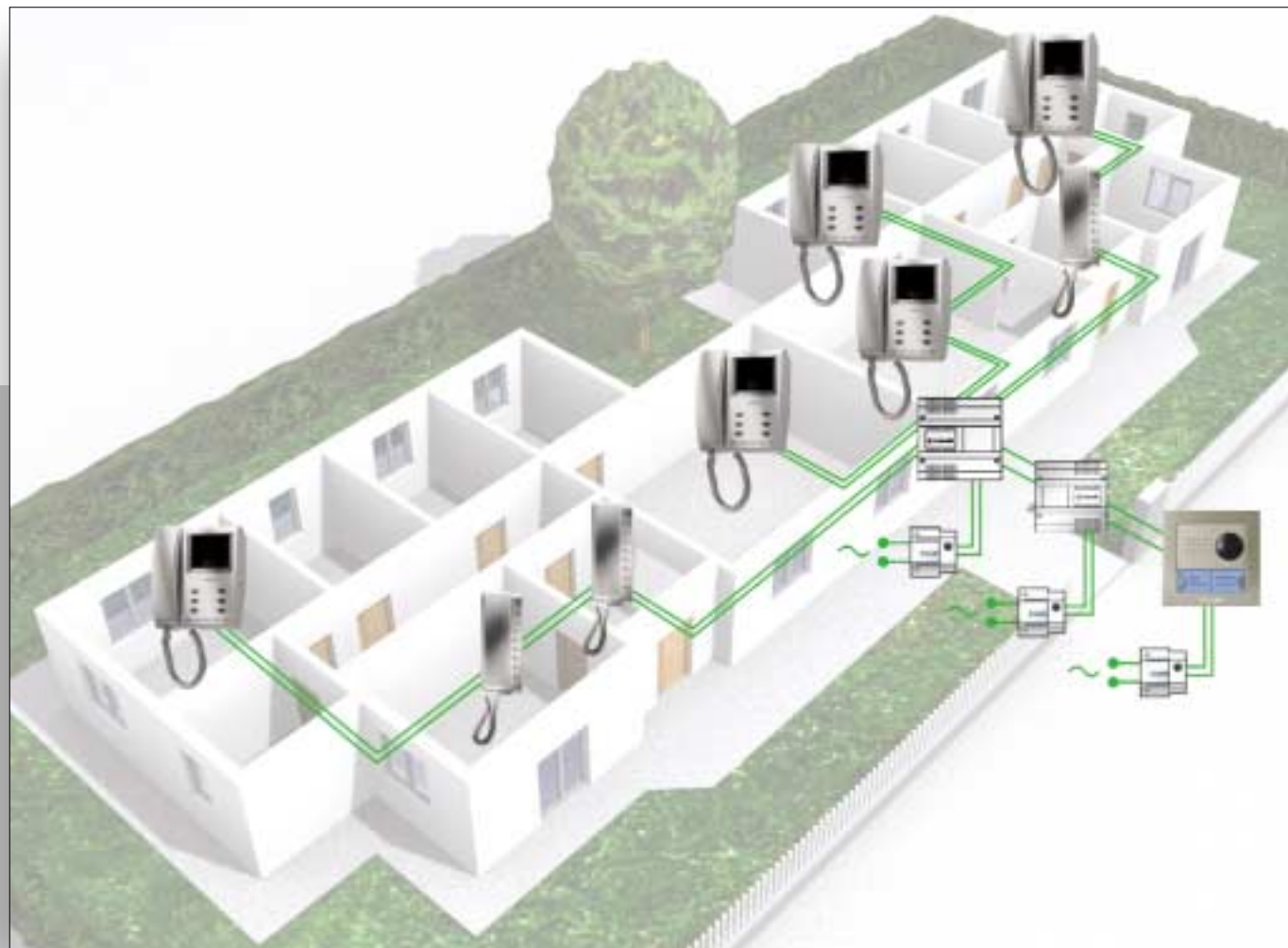
Central porter switchboard which combines an elegant line with maximum functionality. It is fitted with a digital keypad and an alphanumeric display with 32 characters. It allows management of the calls to the porter, with display of the code and name of the user to be called and of the user calling, storing the last 10 unanswered calls.

Central porter switchboard

Simplebus 2

Intercom system.

Simplebus 2 also allows up to a maximum of 8 branched intercoms – either telephones or video phones, preventing the conversation between them interfering with operation of the main or secondary external unit. Simply add interface art. 4897 supplied by art. 1195.



Powercom



Vandalcom

The external unit.

The external unit can be selected from a wide variety of models. There is the Powercom entrance panel with its unmistakable blue LEDs and its coloured frames, the strong and sturdy Vandalcom entrance panel and many others.



The Videocom video entry phone.

With a simple but elegant design, this is available in a fully flush-mounted, wall mounted or semi flush-mounted version with adapter or in the desk version to satisfy all requirements.



The intercom telephone art. 2418W.

Digital telephone fitted with 6 additional pushbuttons to operate the intercom service in combination with interface art. 4897.



Simplebus 2

All the benefits.

Simplebus 2 technology is fully compatible with the Simplebus 1 system.



from audio to video with just a few changes



what is a door entry phone system today, can easily later become a video door entry phone system without working on the plant: simply add the TV camera module at the external unit and replace the monitor telephone. Mixed plants are possible, i.e. those with door entry phone and video phone users at the same time. We cannot say this as we will have to change the panel back boxes to accept the video unit!



programming with dip-switches

just a few seconds and one person to programme the telephone, the monitor and the entrance panel, simply setting the dip-switch position for each code and following the special programming tables.



wide choice of external entrance panels

different types of Comelit entrance panels can be chosen: the streamlined Powercom with its unmistakable blue LEDs and plug and socket technology, strong and sturdy Vandalcom, the elegant Firenze series, the simple AV/4 – but that's not all - with Simplebus 2 you can also use any existing entrance panels and, simply by adding an interface, make it perfectly operational with the Simplebus 2 system.



mixer with 4 outputs

Simplebus 2 has a mixer with 4 outputs to design even complicated sites in a simple way, such as those characterised by several blocks with several staircases.

different external units

The external unit can be of the user-friendly analogue type, where each user has their own call button with relative name label, or of the digital type. In the latter case, the entrance panel can be fitted with an electronic name directory if required. Name scrolling is carried out by pressing the search buttons or by entering the initials of the name or the user code directly.

Simplebus 2

Catalogue



Powercom. Simply good-looking and

Powercom: this is Comelit's new entrance panel which changes the face of design and the way of working.

Exclusive night lighting with blue LEDs makes it magical and unmistakable. Simple, strong and clean-cut lines, new colours and top quality materials, such as the module-holder frames and cornices in aluminium and the fronts made of stainless steel, make Powercom a good-looking and sturdy entrance



Audio video version



Audio only version



Digital version

Powercom. Simply modular.

Powercom is the result of an extremely advanced technological concept where total modularity is one of the major aspects. Solutions with 1,2,3,4,6 and 9 modules are available. Plates with 1 to 50 pushbuttons can be made very simply.



Audio/video version 9 modules

Powercom





3110

Flush-mounted housings

N° Modules	Article	Dimensions
1	3110/1	127x127x45 mm
2	3110/2	127x217x45 mm
3	3110/3	127x305x45 mm



3311

Module-holder frames complete with cornice

Made of die-cast aluminium and painted using special paints resistant to outdoor environments.

N° Modules	Grey	White	Blue	and Orange	Dimensions
1	3311/1G	3311/1W	3311/1B	3311/1O	125x125x15.5 mm
2	3311/2G	3311/2W	3311/2B	3311/2O	125x215x15.5 mm
3	3311/3G	3311/3W	3311/3B	3311/3O	125x305x15.5 mm

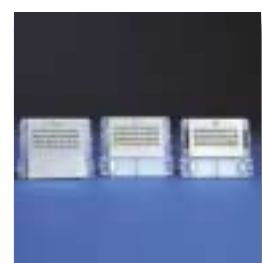


3316

Surface-mounted housings

Stainless steel box.

N° Modules	Article	Dimensions
1	3316/1	123x123x32.5 mm
2	3316/2	123x213x32.5 mm
3	3316/3	123x303x32.5 mm
4	3316/4	249x213x32.5 mm
6	3316/6	249x303x32.5 mm
9	3316/9	375x303x32.5 mm



3320

Modules pre-set for speaker units

With stainless steel front and blue LEDs for nameplate illumination. To be completed with relative speaker unit art. 1602.

N° Push-buttons	Article	Dimensions
0	3320/0	112x89.5x32 mm
1	3320/1	112x89.5x32 mm
2	3320/2	112x89.5x32 mm



3321

Modules preset for audio/video speaker units

With stainless steel front and blue LEDs for nameplate illumination. To be completed with A/V unit art. 4660.

N° Push-buttons	Article	Dimensions
0	3321/0	112x89.5x32 mm
1	3321/1	112x89.5x32 mm
2	3321/2	112x89.5x32 mm

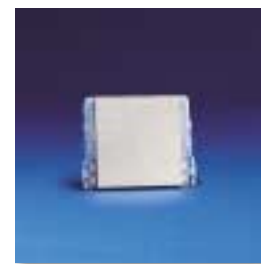


3323

Call push-button modules

Call push-button module fitted with micro-switch and made of die-cast and chromed aluminium alloy. Blue LEDs for illumination of the nameplate labels removable from the front. Complete with terminal board and 4-pole connection cable.

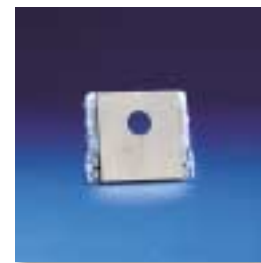
N° Push-buttons	Article	Dimensions
4	3323/4	112x89.5x40 mm
6	3323/6	112x89.5x40 mm



3324

Plain module

Dimensions: 112x89.5x22 mm.



3325

PTT module

Dimensions: 112x89.5x22 mm.



3326

Module illuminated from the rear

Module illuminated from the rear with blue LEDs for various signals. Dimensions: 112x89.5x38 mm.



3328

Powercode electronic digital KEY module

Powercode electronic digital KEY module with keypad illuminated with blue LEDs. By entering a number with 1 to 8 figures on the keypad, two relays (10 A) are activated, which allow electric locks or other devices to be operated. Manages up to 300 codes. Power supply: 12V AC/DC. Dimensions: 112x89.5x40 mm



3335

Powerlock electronic digital KEY module

Proximity reader module able to recognise special "electronic keys" (credit card or fob type) with a relay. Readout takes place without any contact between the key and the reader. Max. 1500 keys. Power supply: 12V AC/DC. Dimensions: 112x89.5x38mm



3340

Digital call module complete with electronic directory

Complete with graphic LCD 128x64 dots, keypad with 16 push-buttons illuminated from the rear with blue LED, push-button press confirmation buzzer. Also operates with electronic code key. It is complete with electronic name directory, which memorises 400 user names. Name scrolling is carried by using two search push-buttons or by entering the initials of the name or user code directly. Once the desired user name is displayed, simply press the call push-button. User programming is carried out in a simple way using programmer art. 1230 or with the software for PC art. 1249. Dimensions: 112x180x40 mm



3342

Electronic directory module

Electronic directory, with graphic display 128x64 dots. Memorises 400 user names. Name scrolling is carried by using two search push-buttons. Once the desired user name is displayed, simply press the call push-button. User programming is carried out in a simple way using programmer art. 1230 or with the software for PC art. 1249. Dimensions: 112x89.5x40 mm.



1234

Kit for printing nameplate labels

The kit consists of a floppy disk with a file in word and 20 polyester A4 format sheets, and it allows rapid and immediate printing of the names on the nameplate labels.



3344

Name directory/information module

Module illuminated from the rear with blue LEDs, complete with label for writing the names and codes of the users (12 max.). Dimensions: 112x89.5x38 mm.



3346

System engaged signalling module

System engaged signalling module. Complete with flashing blue LEDs for visual indication of the engaged state. The transparent label is supplied neutral to insert the wordings in all languages. Dimensions: 112x89.5x38 mm.



1602

Speaker unit for Simplebus cabling

Speaker unit with terminal board and double amplifier, tight loudspeaker and electret microphone. The two microphone and loudspeaker volumes can be adjusted from the front. Complete with microprocessor and DIP SWITCH with 8 positions for programming the calls to the users. Power supply: 12V AC (use Art. 1195). Electronic door-opening function on board (3 A). To be inserted in modules art. 3320/0, 3320/1 and 3320/2. Dimensions: 102x55x35 mm.



4660

A/V unit with B/W camera

A/V unit with terminal board complete with pin-hole 1/4" CCD B/W camera adjustable from the front, with infrared camera illumination. Complete with speaker unit with double amplifier, tight loudspeaker and electret microphone. The two microphone and loudspeaker volumes can be adjusted from the front. To be inserted in modules art. 3321/0, 3321/1 and 3321/2. Dimensions: 102x55x35 mm.



3309

Accessory cable

Accessory cable for programming Simplebus audio and audio/video systems.

Vandalcom. Good-looking, solid and resi-

Vandalcom: this is the vandal-proof stainless steel entrance panel made by **Comelit**, studied to resist even the most violent vandal attacks. It is available in the audio, audio-video and digital versions.



Audio+Video version



Audio only version



Digital version

Vandalcom is the result of careful design and production research which has led to construction of a strong and sturdy entrance panel, but with a pleasing design and which fits in perfectly with any kind of building.

The frame is available in 2 different colours (steel grey and dark grey) which shows that Vandalcom is not only sturdy, but also very attractive with careful attention paid to its design. Housings made of galvanised sheet 1.5 mm thick, vandalproof modules made with 2 thick stainless steel plates, push-buttons made of stainless steel with short run, anti-blocking and flush with plate, and special vandalproof screws: every detail is taken care of to withstand to most violent attack.



Vandalcom





3159

Surface-mounting box

Stainless steel box

N° Modules	Article	Dimensions
1	3159/1	142x142x58 mm
2	3159/2	142x254x58mm
3	3159/3	142x366x58 mm



3160

Flush-mounting box

Made of 1.5 mm thick galvanized sheet, complete with special spacers for joining and templating several housings.

N° Modules	Article	Dimensions
1	3160/1	130x130x58 mm
2	3160/2	130x242x58 mm
3	3160/3	130x354x58 mm



3161

Module-holder frame

Made of die-cast aluminium and painted using special powder paints resistant to outdoor environments. Dark grey.

N° Modules	Article	Dimensions
1	3161/1	143x143x18 mm
2	3161/2	143x255x18 mm
3	3161/3	143x367x18 mm



3161/A

Module-holder frame (steel grey)

Made of die-cast aluminium and painted using special powder paints resistant to outdoor environments. Steel grey.

N° Modules	Article	Dimensions
1	3161/1A	143x143x18 mm
2	3161/2A	143x255x18 mm
3	3161/3A	143x367x18 mm



3262

Module preset for speaker unit

Module made of double 2.5 mm stainless steel plate
To be fitted with audio speaker unit art.1602.

N° Modules	Article	Dimensions
0	3262/0	106x106x56mm
1	3262/1	106x106x56mm



3268

Module preset for A/V unit

Module made of double 2.5 mm stainless steel plate. To be fitted with unit audio/video art.4660.

N° Push-buttons	Article	Dimensions
0	3268/0	106x106x56mm
1	3268/1	106x106x56mm
2	3268/2	106x106x56mm



3064/A

Module with 4 push-buttons

Module made of double 2.5 mm stainless steel plate, complete with 4 traditional push-buttons for the Simplebus digital system. It has an EEPROM memory on board to store the call code. It is compatible with art.3062 series and with the new art.3262 and 3268 series. Dimensions: 106x106x56 mm.



3070/A

Call module

Made of double 2.5 mm stainless steel plate, complete with 12 stainless steel push-button keypad illuminated from the rear, 16-character alphanumerical display for showing the call codes and interactive messages with the user (engaged, etc.). Also carries out the electronic key function with 300 possible different codes with 6 digits. The device controls the on-board relay of art. 3262 and 3268. It is compatible with art. 3062. With the PC software 1249, codes (up to 6 digit) can be downloaded for calls with indirect addressing. Dimensions: 106x106x56 mm.



3072/A

Electronic name directory module

Made of double 2.5 mm stainless steel plate, complete with 4 push-buttons in stainless steel illuminated from the rear and 32-character alphanumerical display. It stores 400 user names. Name scrolling is done on 2 search push-buttons. Once the name is displayed, simply press the call push-button. User programming takes place simply by means of the programmer art.1230 or with the PC software art.1249. Also compatible with art.3062. Dimensions: 106x106x56 mm.



3176

Plain module

Made of double 2.5 mm stainless steel plate.
Dimensions: 106x106x9 mm



3178

Traditional PTT module

Made of double 2.5 mm stainless steel plate, preset for PTT key.
Dimensions: 106x106x9 mm.



3183

Engaged module

Made of double plate in 2.5 mm stainless steel, it is used to indicate the engaged state of systems with traditional entrance panels. Complete with flashing LED for visual indication of the system state. The white translucent card is supplied blank for writing in any language.
Dimensions: 106x106x56 mm.



3186

House number/nameplate module

Module made of double 2.5 mm stainless steel plate, complete with white label for general information (house n°, etc.) and pre-printed label with space for writing the names of 12 users. Dimensions: 106x106x9 mm.



3188

Vandalcode module

Made of double 2.5 mm stainless steel plate, complete with keypad illuminated from the rear. Has 300 different 8 digit codes available which can be programmed from the keypad to control two relays (10A), operation confirmation buzzer and relay actuation LED. Relay closing time can be programmed from the keypad. Power supply: 12V AC/DC. Dimensions: 106x106x56 mm.



3192

Vandalock module

Module made of double 2.5 mm stainless steel plate and proximity reader able to recognise special "electronic keys" (credit card or fob type) with a relay (10A). Readout is done without any contact between the key and the reader. Up to a maximum of 1500 keys. 12V AC/DC power supply. Dimensions: 106x106x56 mm.



3198

Anti-tampering element

Anti-tampering element to be inserted in the flush-mounting box, useful for indicating any tampering with the entrance panel. Dimensions: 51x18x13 mm.



1172

Spare festoon bulb

12V/3W festoon bulb for nameplate label illumination. Pack of 10 pieces.



1602

Speaker unit

Speaker unit for Simplebus system with terminal board and double amplifier, watertight loudspeaker and electret microphone. The two microphone and loudspeaker volumes can be adjusted from the front. Complete with microprocessor and DIP SWITCH with 8 positions for programming the calls to the users. Power supply: 12V AC (use Art. 1195). Electronic door-opening function on board (3 A). To be inserted in modules art. 3262/0, 3262/1 and 3262/2. Dimensions: 102x55x35 mm.



4660

A/V unit with B/W camera

A/V unit with terminal board complete with 1/4" pin-hole CCD B/W camera adjustable from the front, with infrared camera illumination. Complete with speaker unit with double amplifier, watertight loudspeaker and electret microphone. The two microphone and loudspeaker volumes can be adjusted from the front. Complete with microprocessor and DIP SWITCH with 8 positions for programming the calls to the users. To be inserted in modules art. 3262/0, 3262/1 and 3262/2. Dimensions: 102x55x35 mm.

Accessories for other entrance panels



1602

Speaker unit to be inserted in N, AV/4 and FIRENZE 2 series entrance panels

Speaker unit for Simplebus system with terminal board and double amplifier, watertight loudspeaker and electret microphone. The two microphone and loudspeaker volumes can be adjusted from the front. Complete with microprocessor and DIP SWITCH with 8 positions for programming the calls to the users. Power supply: 12V AC (use art.1195). Electronic door-opening function on board (3A). Dimensions: 102x55x35 mm.



1250

Accessory for mounting N, AV/4 series audio groups on entrance panels

Accessory which allows speaker unit art.1602 to be mounted and used on N, AV/4 series entrance panels.



4660

A/V unit

To be used on FIRENZE 2 series entrance panels without addition of any accessory articles. Audio-video unit with terminal board complete with 1/4" pin-hole CCD B/W camera adjustable from the front, with infrared camera illumination. Complete with speaker unit with double amplifier, watertight loudspeaker and electret microphone. The two microphone and loudspeaker volumes can be adjusted from the front. Complete with microprocessor and DIP SWITCH with 8 positions for programming the calls to the users. Dimensions: 102x55x35 mm.



3063/A

Push-button interface

Module for managing the traditional push-buttons in general entrance panels AV/4, N, Firenze, etc. Complete with EEPROM memory to store the entrance call codes for the push-buttons and for the common. Operates in combination with the audio/video modules art.4660 or with audio module art.1602. Compatible with art.3065. Allows management of 8 call push-buttons.

Simple, modular, expandable.

For internal units, Comelit offers a selection of products with clean-cut lines and a pleasing appearance able to fit in perfectly with any type of home.



Okay is the Comelit telephone with electronic call with adjustable volume, door opening push-button and porter call push-button. Simply by adding an accessory, Okay can become an elegant desk telephone.



Videocom is the new video door entry system born from Comelit advanced technological research, which completely renews the design and greatly simplifies installation. The original modular concept between monitor and bracket makes Videocom the new symbol of versatility in video door entry systems. The various different monitor versions allow wall-mounted, flush-mounted and desk installations.

Videocom, complete with a door opening pushbutton and two additional pushbuttons for other services, is fitted with controls for adjusting brightness and call volume.



Videocom





2408W/A

Digital wall telephone (only for audio systems)

2-wire digital telephone, with electronic call with adjustable volume, conversation privacy, conversation button on the base, door opening push-button and porter call or free (C/N.O) push-button. Complete with dip-switch with 8 positions to select the desired user code. Allows management of the floor door call floor door call. White RAL 9010. Dimensions: 85x223x65 mm.



2428W

Digital wall telephone (for mixed systems)

Like art. 2408W/A. Telephone to be used in mixed audio/video systems (Simplebus 1 and Simplebus 2) or in audio systems when the call repetition function is required. Dimensions: 85x22x65mm.



2410W/2

Digital wall telephone

Like art. 2428W but fitted with switch and additional LEDs for privacy or doctor service (automatic lock opening following call). to be used in mixed audio/video systems (Simplebus 1 and Simplebus 2) or in audio systems when the call repetition function is required. Dimensions: 85x223x65 mm.



2418W

Intercom telephone

Digital telephone like art. 2428W, fitted with 6 additional push-buttons preset for operation of the intercom service combination with the interface art. 4897. For its programming and use, following the indications given in the technical documentation. Telephone to be used in mixed audio/video systems (Simplebus 1 and Simplebus 2) or in audio systems. Dimensions: 85x223x65 mm.



1142W/OK

Desk base

White RAL 9010 desk base which allows all the Okay series telephones to be converted into the desk version. Complete with 1.5 mt. of white cable and connection boss. Dimensions: 80.5x183x53 mm.



4701W/A

Wall-mounted VIDEOCOM Monitor

Wall-mounted black and white Videocom Monitor with 4.5" screen, white RAL 9010 colour, electronic call, brightness and call volume adjustment controls. Complete with door opening pushbutton and 2 additional pushbuttons for other services (monitor self-lighting, control of lights, etc.). By adding the optional card art. 4703, it is possible to add 2 additional pushbuttons and a signalling LED. It can be transformed into the desk version with art. 4712W.



4700W

Semi flush-mounted VIDEOCOM Monitor (short tube)

Semi flush-mounted black and white Videocom Monitor with 4.5" screen, white RAL 9010 colour, electronic call, brightness and call volume adjustment controls. Complete with door opening pushbutton and 2 additional pushbuttons for other services (monitor self-lighting, control of lights, etc.). It is installed on the flush-mounting box for the 3-module civil series art. 4517, but can also be mounted on the flush-mounting box art. 4514. It can be converted into the desk version by means of art. 4712W, or into the wall-mounted version using adapter art. 4704W. By adding the optional card art. 4703, it is possible to add two additional pushbuttons and a signalling LED.



4700W/I

Semi flush-mounted VIDEOCOM Monitor (long tube)

Semi flush-mounted black and white Videocom Monitor with 4.5" screen, white RAL 9010 colour, electronic call, brightness and call volume adjustment controls. Complete with door opening pushbutton and 2 additional pushbuttons for other services (monitor self-lighting, control of lights, etc.). To be flush-mounted on box art. 4514. By adding the optional card art. 4703, it is possible to add two additional pushbuttons and a signalling LED.



4709W

Wall-mounted VIDEOCOM Monitor with MEMOVVIDEO

Wall-mounted black and white VIDEOCOM Monitor with 4.5" screen, complete with Memovideo video memory which allows 32 images to be stored either in automatic or manual mode. Fitted with buffer battery and clock to indicate the date, hour and minute when the recordings were made. Other characteristics are: electronic call, brightness and call volume adjustment controls. Complete with door opening pushbutton and 2 additional pushbuttons for other services (monitor self-lighting, control of lights, etc.). By adding the optional card art. 4703, it is possible to add two 2 pushbuttons and a signalling LED. It can be transformed into the desk version with art. 4712W



4714W/2

Bracket for digital Simplebus 2 system

Bracket for digital Simplebus 2 system (but can also be used on Simplebus 1 systems), needed to complete all the monitors of the Videocom series, both flush and wall mounted. The video entry phone is complete with conversation secrecy. The standard pushbuttons on the monitor take on the function of door opening pushbutton, switch-board call pushbutton and free pushbutton (C/NO). As standard it manages the floor door call and call repetition. Complete with DIP SWITCH with 8 positions for programming the user code. With the addition of the pushbutton card art. 4703, it allows the Privacy function to be activated (which prevents reception of the call and lighting of the monitor of the user who inserted it) or other additional services.



4703

Additional pushbutton and LED card

Optional card with 2 additional pushbuttons and signalling LED, provided with screws. It can be inserted inside all the Videocom series monitors.



4704

Wall-mounting adapter

A grey spacer allows the flush-mounted Videocom monitor art. 4700W to be converted into a fully wall-mounted version. Monitor dimensions art. 4700W converted into wall-mounted version: 223 x 192 x 143 mm.
Spacer dimensions: 182 x 155 x 80 mm.



4712

Desk base

Allows all the Videocom monitors (except art. 4700W/I) to be converted into the desk version. Complete with 1.5 mt of cable and boss for connection.
Dimensions: 158 x 125 x 66 mm.



4514

Flush-mounting box

Flush-mounting box for Videocom monitor art. 4700W/I
Dimensions: 96 x 118 x 70 mm.



4517

Flush-mounting box

Civil series flush-mounting box of reduced dimensions.
Dimensions: 75 x 103 x 50 mm.



4908W

Cornice

Finishing cornice for flush-mounting the Videocom monitor art. 4701W/I.
This is applied onto the flush-mounting box art. 4909. White RAL 9010 colour.
Dimensions: 255 x 255 x 18 mm.



4909

Totally flush-mounted box

Box for flush-mounting the Videocom monitor art. 4701W/A.
Dimensions: 240 x 245 x 80 mm.

Power supplies and accessories





1200

Transformer

Transformer with 230V primary winding, 12V AC / 15 VA secondary winding for continuous use. Dimensions: 53 x 95 x 65 mm (3 DIN modules).



1112

Transformer

Transformer with 230V primary winding, 0-12-24V AC / 30 VA secondary winding for intermittent use on the 24V output. The transformer is fitted with internal protection fuse. Dimensions: 87.5x100x65 mm (5 DIN modules).



1195

Transformer

Transformer with 230V primary winding, 0-12-24V AC / 60 VA secondary winding for intermittent use on the 24V output. The transformer is fitted with internal protection PTC. Dimensions: 87.5x105x65 mm (5 DIN modules).



1212/B

Power supply for additional monitor

Power supply with 230V AC input, 0-20V DC / 15VA output. The transformer is fitted with internal protection PTC. Dimensions: 87.5x105x65 mm (5 DIN modules).



1246

Transformer for mixer

Transformer with 230V primary winding, 14-36V AC secondary winding. The transformer is fitted with thermal protection relay. Dimensions: 107x90x60 (6 DIN modules).



4896

Mixer-power supply

The mixer is contained in a 12 DIN module box. Supplied exclusively by transformer art.1246, on input it receives a Simplebus 1 type signal and superimposes the monitor power supply for the riser. Up to 100 pieces of apparatus among telephones and monitors can be connected, distributed over 4 outputs. Dimensions: 208X140x65 mm.



1214/2

Branch terminal

Line branch terminal. The terminal is to be mounted on the riser to branch towards brackets or telephones. It is provided as standard with the bracket art. 4714W/2.



1216

Line termination terminal

Line termination terminal. Provided with the mixed art. 4896. To be mounted on the end of the riser, according to the indications given in the technical documentation, to optimise signal distribution.



4897

Intercom interface

Interface for the intercom service between apparatus of the same flat or of different flats. In any case, the intercom conversation does not engage the rest of the riser. Up to 8 telephones and monitors can be connected. Complete with power supply circuit and bell management for the connected apparatus. Power supply: 24V AC. Dimensions: 140x140x67 mm (8 DIN modules).



4834/2

Line concentrator

Line concentrator for Simplebus video system. Allows distribution of the signal over 4 risers. Does not require a power supply. Only to be mounted on the part of the system on input into the mixers art. 4896 (Simplebus 1 part). Dimensions: 66x85x35 mm (4 DIN modules).



4833/A

Line amplifier

Amplifier for Simplebus video system. Regenerates the riser signal regarding the video component. Complete with microcontroller for optimum operation management. For its use, follow the indications given in the technical documentation. Power supply: 12V AC or 20V DC. Only to be mounted on the part of the system on input into the mixers art. 4896 (Simplebus 1 part). Dimensions: 66x85x35 mm (4 DIN modules).



1224

Switching device

Switching device for audio or audio-video systems with 2 or more entrance units. Complete with 2 DIP SWITCHES with 8 positions for defining the range of users of the riser. Power supply: 12V AC, 20V DC. Dimensions: 60x85x35 mm (4 DIN modules).



1254

Relay for various services

Power supply: 12V AC, 20V DC. Relay capacity: 10A. Among other things, the relay is controlled digitally and can also be used to control door-opening function at the secondary door without a call panel. Only to be mounted on the part of the system on input into the mixers art. 4896 (Simplebus 1 part).



1256

Relay actuator

Intelligent device for controlling a 10A relay (on board) for general uses. It can be used in any type of Simplebus system. For its use and programming the desired function, follow the indications given in the technical documentation.

Power supply: 12V AC or 20V DC. Dimensions: 66x85x35 mm (4 DIN modules).



1122/A

Relay

12-24V DC-AC 5A relay for general uses. Can be controlled directly from the call repetition output of the bracket art. 4714W/2 or telephones art. 2428W, 2418W and 2410W/2. Dimensions: 66x85x35 mm (4 DIN modules).



1998

Porter switchboard

Porter switchboard in desk version with digital keypad and 32 character alphanumerical display. Allows the user code and name to be called and of the user calling to be displayed, keeping the unanswered calls stored in the memory. Day/Night mode and user/user intercom service. Power supply: 0-12-24V AC with art.1195.

Dimensions: 158x233x35 mm.



4577/100

Comelit cable for Simplebus 2 systems (100 mt)

Specific cable for Simplebus 2 systems (part of the riser after the mixer art. 4896), consisting of two twisted red and black conductors with 1mm² cross-section. 100 mt. coil.



4577/500

Comelit cable for Simplebus 2 systems (500 mt)

Specific cable for Simplebus 2 systems (part of the riser after the mixer art. 4896), consisting of two twisted red and black conductors with 1mm² cross-section. 500 mt. coil.



4576/100

Comelit cable for Simplebus 1 systems (100 mt)

Specific cable for Simplebus 1 systems consisting of two power supply conductors (1.5 mm²) and a small telephone plait for the signals. 100 mt. coil.



4576/500

Comelit cable for Simplebus 1 systems (500 mt)

Specific cable for Simplebus 1 systems consisting of two power supply conductors (1.5 mm²) and a small telephone plait for the signals. 500 mt. coil.

Software art. 1249

Software on diskette to be installed on a PC, complete with connection cable for the digital modules art. 3340 and art. 3342. Allows rapid programming of the name directory and management of the archives on a PC.

Programmer art.1251

Universal palm programmer for Simplebus articles. Allows easy and flexible programming of brackets, telephones and accessory modules which have the possibility of implementing several modes and operating options. It automatically provides the necessary power supply to the articles to be programmed. Fitted with display, alphanumerical keypad and housing for 9V batteries.

Remote TV camera module art.1258

Module which allows modulation and transmission of the video signal on the riser. On input it has the composite video signal of a B/W camera. Fitted with a microcontroller, it can be activated by commands sent to the riser. Allows special programming to limit vision to certain users. It can only be used on the riser on output from the mixer art. 4896. For its use and programming, follow the indications given in the technical documentation. Power supply:12V AC or 20V DC.

Remote TV camera module for external unit art. 1259

Module which allows modulation and transmission of the video signal on the riser. On input it has the composite video signal of a B/W camera. Can only be used on the part of the riser before the input into the mixer art. 4896. It can also be housed behind the plain module art. 3324 of the Powercom entrance panel. Power supply: 12V AC.

Simplebus 2

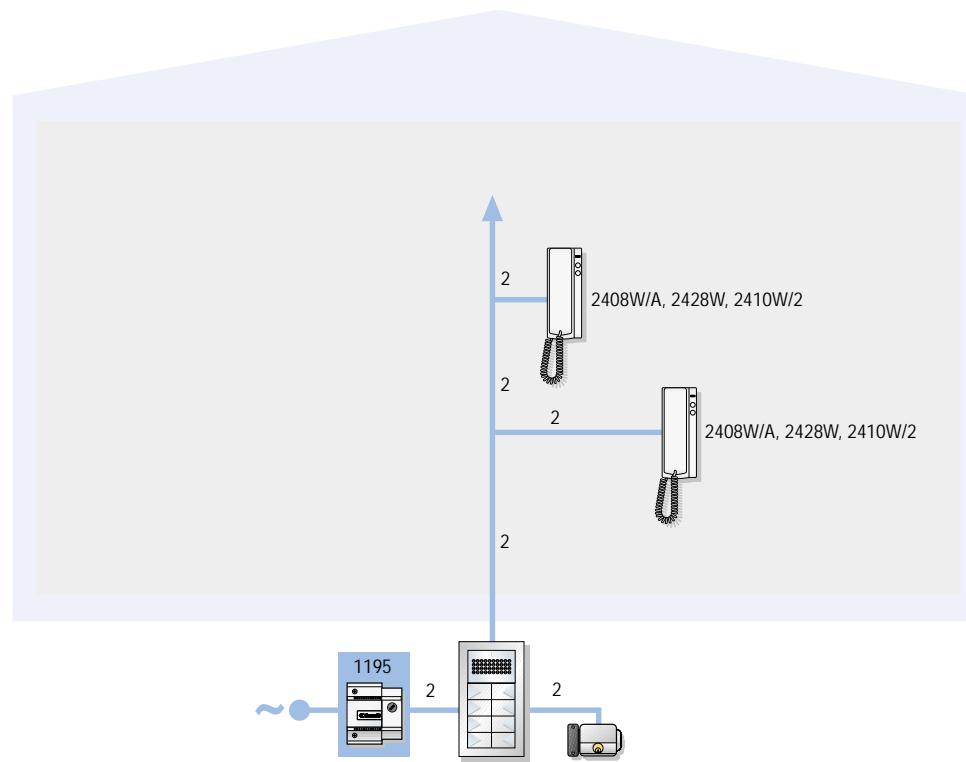
Installation diagrams



SBC/01

Digital door entry phone system consisting of:

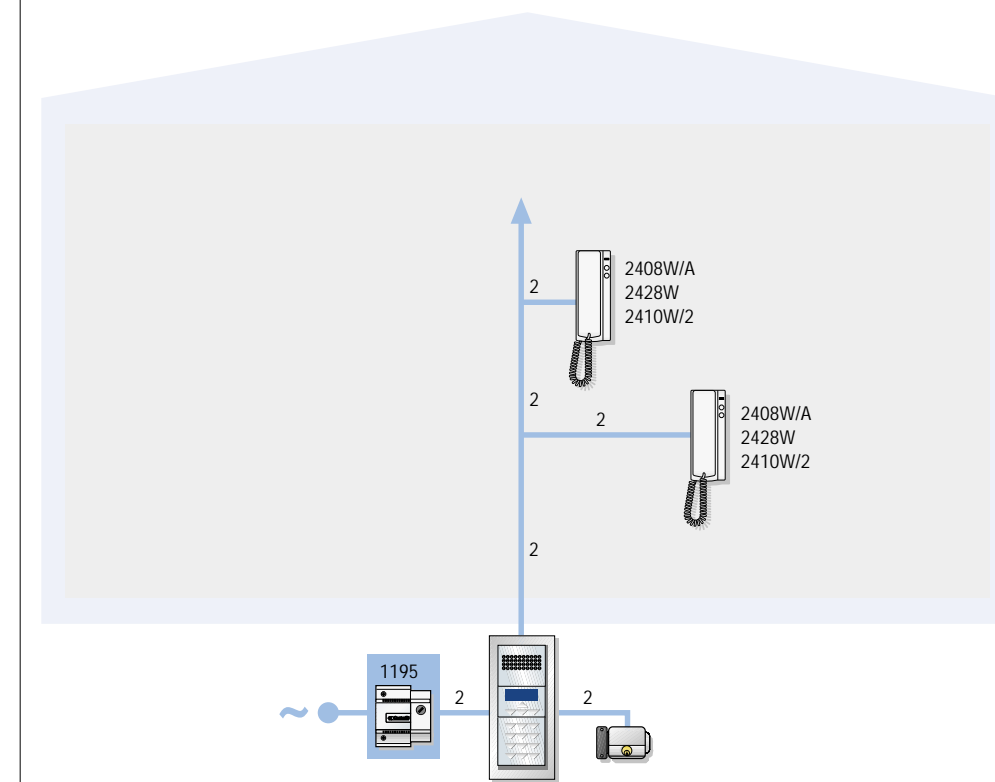
- an audio entrance unit with traditional entrance panel
- an audio riser
- max. of 100 users



SBC/02

Digital door entry phone system consisting of:

- an audio entrance unit with digital call module complete with electronic name directory
- an audio riser
- max. of 100 users



SBC/01

MAIN DIGITAL AUDIO															
n° users.	3110/1	3110/2	3110/3	3311/1*	3311/2*	3311/3*	3320/0	3320/1	3320/2	3323/4	3323/6	3326	1602	1195	2408W/A
1	1			1				1					1	1	1
2	1			1				1					1	1	2
3		1			1		1			1			1	1	3
4		1			1		1			1			1	1	4
5		1			1			1		1			1	1	5
6		1			1		1				1		1	1	6
7		1			1			1			1		1	1	7
8		1			1			1			1		1	1	8
9			1			1		1		2			1	1	9
10			1			1	1			1	1		1	1	10
12			1			1	1				2		1	1	12
14			1			1			1		2		1	1	14
16		2				2			1	2	1		1	1	16
18		2				2	1				3		1	1	18
20		2				2			1		3		1	1	20
22			2			2	1			1	3	1	1	1	22
24			2			2	1				4	1	1	1	24
26			2			2			1		4	1	1	1	26
28			2			2	1				4		1	1	28
30			2			2	1				5		1	1	30
32			2			2			1		5		1	1	32
34			3			3	1			1	5	2	1	1	34
36			3			3	1				6	2	1	1	36
38			3			3			1	3	4	1	1	1	38
40			3			3	1			1	6	1	1	1	40
42			3			3	1				7	1	1	1	42
44			3			3			1		7	1	1	1	44
46			3			3	1			1	7		1	1	46
48			3			3	1				8		1	1	48
50			3			3			1		8		1	1	50

* The cornice is available in the following colours: Grey (3311/G), White (3311/W), Blue (3311/B) and Orange (3311/O).

SBC/02

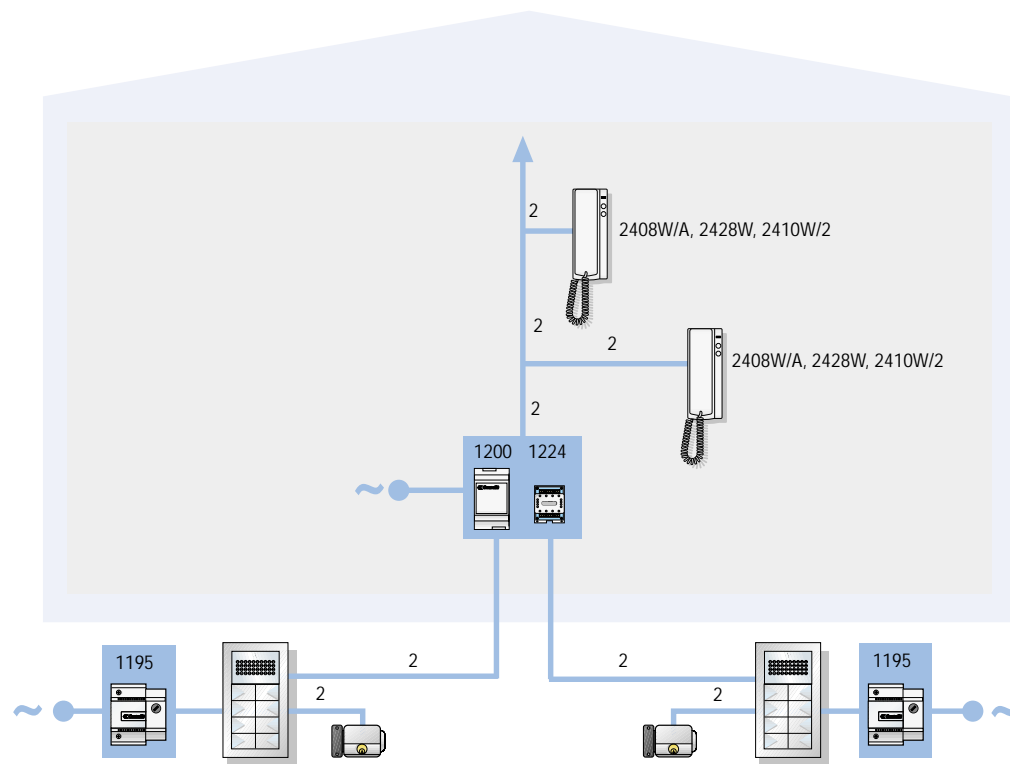
n° utenti	3110/3	3311/3*	3320/0	3340**	1602	1195	2408W/A
from 1 to 100	1	1	1	1	1	1	from 1 to 100

* The cornice is available in the following colours: Grey (3311/G), White (3311/W), Blue (3311/B) and Orange (3311/O)

** The name directory module art. 3342 only can also be used.

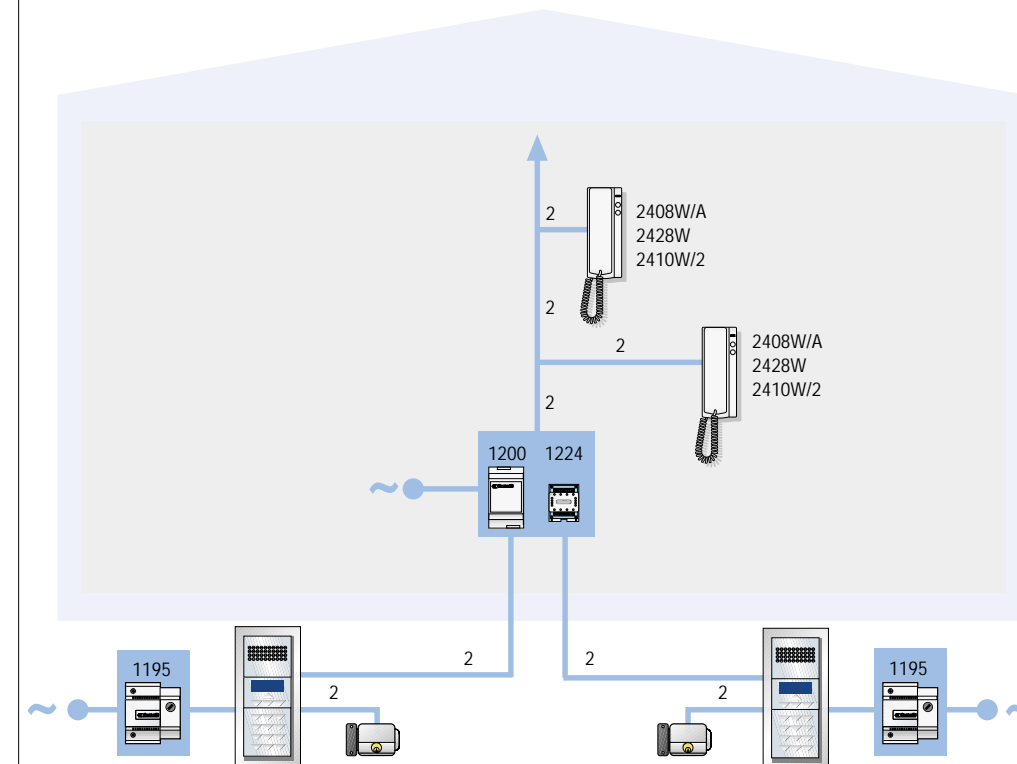
SBC/03

Digital door entry phone system consisting of:
 - 2 traditional audio entrance units
 - an audio riser
 - max. of 100 users



SBC/04

Digital door entry phone system consisting of:
 - 2 digital audio entrance units with digital call module complete with electronic name directory
 - an audio riser
 - max. of 100 users



SBC/03

n° users	3110/1	3110/2	3110/3	3311/1*	3311/2*	3311/3*	3320/0	3320/1	3320/2	3323/4	3323/6	3326	1602	1224	1200	3346	1195	2408W/A
1	2			2				2					1	1	1	2	2	1
2	2			2					2				1	1	1	2	2	2
3		2			2		2			2			1	1	1	2	2	3
4		2			2		2			2			1	1	1	2	2	4
5		2			2			2		2			1	1	1	2	2	5
6		2			2		2				2		1	1	1	2	2	6
7		2			2			2			2		1	1	1	2	2	7
8		2			2				2		2		1	1	1	2	2	8
9			2			2		2		4			1	1	1	2	2	9
10			2			2	2			2	2		1	1	1	2	2	10
12			2			2	2				4		1	1	1	2	2	12
14			2			2			2		4		1	1	1	2	2	14
16		4			4				2	4	2		1	1	1	2	2	16
18		4			4		2				6		1	1	1	2	2	18
20		4			4				2		6		1	1	1	2	2	20
22			4			4	2			2	6	2	1	1	1	2	2	22
24			4			4	2				8	2	1	1	1	2	2	24
26			4			4		2			8	2	1	1	1	2	2	26
28			4			4	2			2	8		1	1	1	2	2	28
30			4			4	2				10		1	1	1	2	2	30
32			4			4		2			10		1	1	1	2	2	32
34			6			6	2			2	10	4	1	1	1	2	2	34
36			6			6	2				12	4	1	1	1	2	2	36
38			6			6		2		6	8	2	1	1	1	2	2	38
40			6			6	2			2	12	2	1	1	1	2	2	40
42			6			6	2				14	2	1	1	1	2	2	42
44			6			6		2			14	2	1	1	1	2	2	44
46			6			6	2			2	14		1	1	1	2	2	46
48			6			6	2				16		1	1	1	2	2	48
50			6			6		2			16		1	1	1	2	2	50

* The cornice is available in the following colours: Grey (3311/G), White (3311/W), Blue (3311/B) and Orange (3311/O)

SBC/04

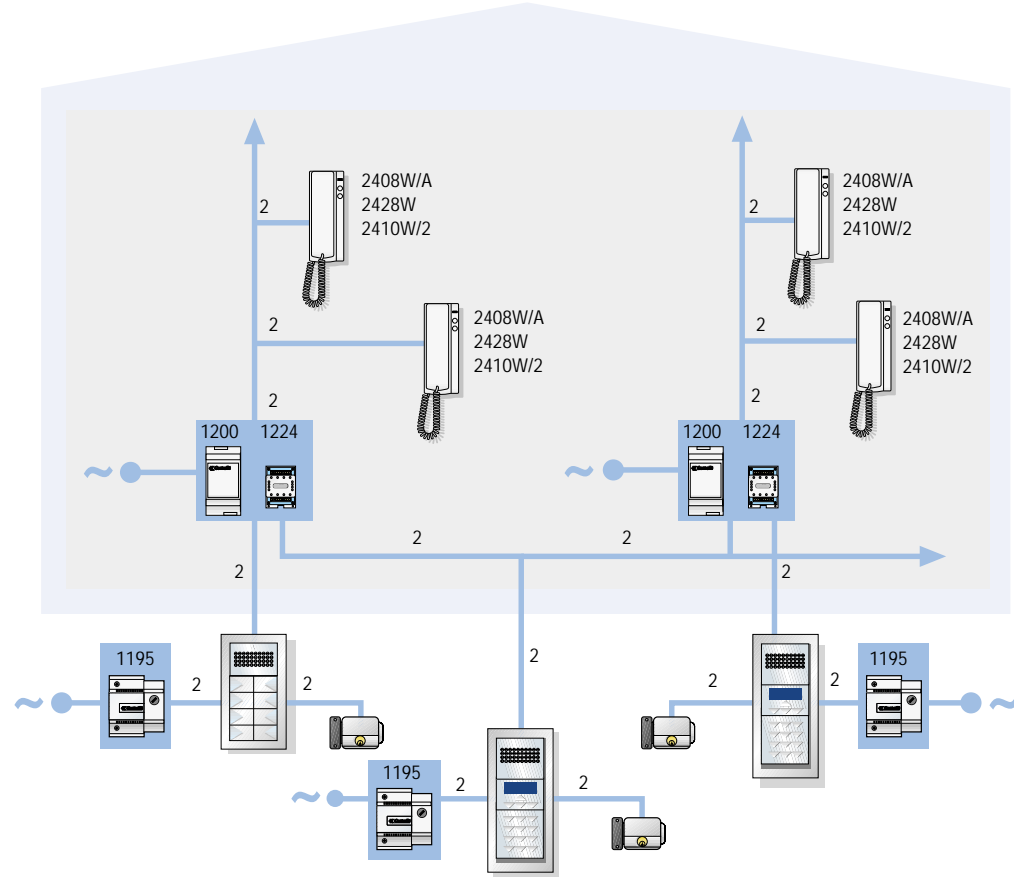
n° users	3110/3	3311/3*	3320/0	3340**	1602	1224	1200	1195	2408W/A
from 1 to 100	2	2	2	2	2	1	1	2	from 1 to 100

* The cornice is available in the following colours: Grey (3311/G), White (3311/W), Blue (3311/B) and Orange (3311/O)

** The name directory module art. 3342 only can also be used.

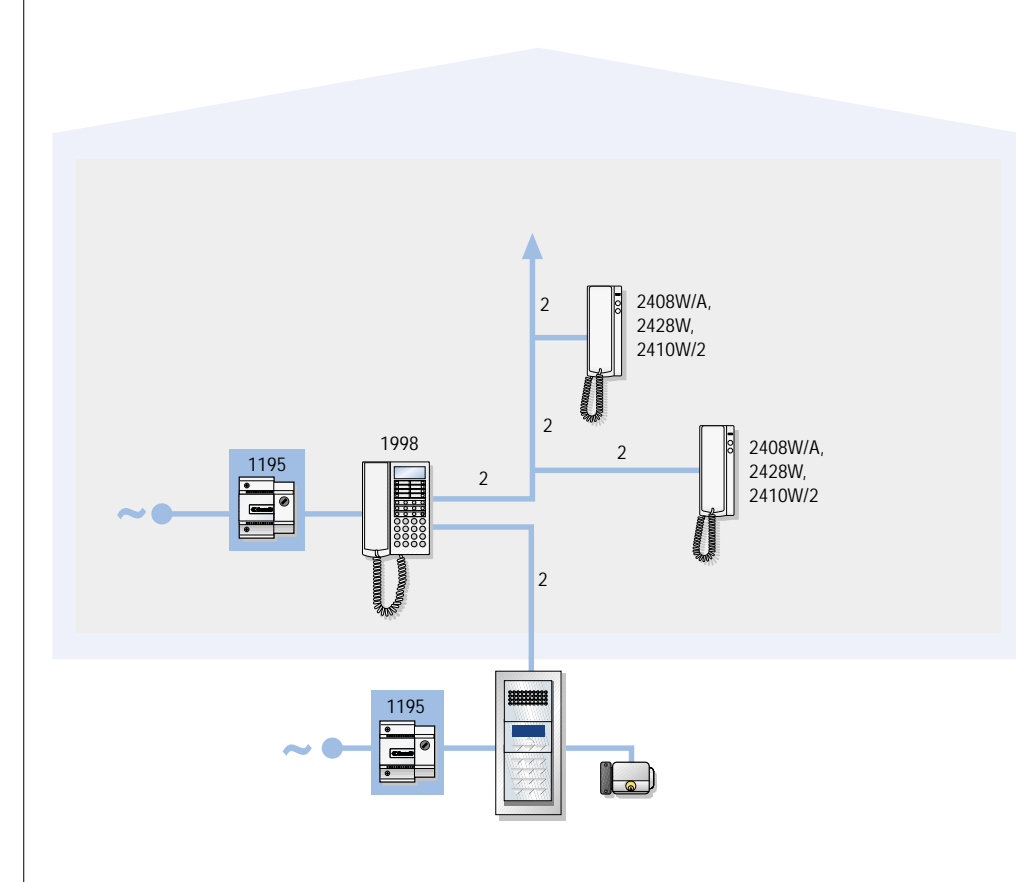
SBC/05

- Digital door entry phone system consisting of:
- a digital audio entrance unit with digital call module complete with electronic name directory
 - n secondary traditional entrance units
 - n secondary digital entrance units with digital call module complete with electronic name directory
 - max. 240 users of which max. 100 per riser



SBC/06

- Digital door entry phone system consisting of:
- a digital audio entrance unit with digital call module complete with electronic name directory
 - a porter switchboard
 - an audio riser
 - max. of 100 users
 - intercom function between users possible by means of art.1998



SBC/05

MAIN DIGITAL AUDIO

n° users	3110/3	3311/3*	3320/0	3340**	1602	1195
from 1 to 240	1	1	1	1	1	1

SECONDARY TRADITIONAL AUDIO EXTERNAL UNIT

n° users	3110/1	3110/2	3110/3	3311/1*	3311/2*	3311/3*	3320/0	3320/1	3320/2	3323/4	3323/6	3326	1602	1224	1200	3346	1195	2408W/A
1		1			1								1	1	1	1	1	1
2		1			1				1				1	1	1	1	1	2
3			1			1	1			1			1	1	1	1	1	3
4			1			1	1			1			1	1	1	1	1	4
5			1			1		1		1			1	1	1	1	1	5
6			1			1	1			1			1	1	1	1	1	6
7			1			1		1		1			1	1	1	1	1	7
8			1			1			1	1			1	1	1	1	1	8
9		2			2			1		2			1	1	1	1	1	9
10		2			2		1			1	1		1	1	1	1	1	10
12		2			2		1			2			1	1	1	1	1	12
14		2			2				1	2			1	1	1	1	1	14
16			2			2			1	2	1		1	1	1	1	1	16
18			2			2	1			3	1		1	1	1	1	1	18
20			2			2			1	3	1		1	1	1	1	1	20
22			2			2	1			3			1	1	1	1	1	22
24			2			2	1			4			1	1	1	1	1	24
26			2			2			1	4			1	1	1	1	1	26
28			3			3	1			4	2		1	1	1	1	1	28
30			3			3	1			5	2		1	1	1	1	1	30
32			3			3			1	5	2		1	1	1	1	1	32
34			3			3	1			5	1		1	1	1	1	1	34
36			3			3	1			6	1		1	1	1	1	1	36
38			3			3			1	3	4		1	1	1	1	1	38
40			3			3	1			6			1	1	1	1	1	40
42			3			3	1			7			1	1	1	1	1	42
44			3			3			1	7			1	1	1	1	1	44
46			4			4	1			7	2		1	1	1	1	1	46
48			4			4	1			8	2		1	1	1	1	1	48
50			4			4			1	8	2		1	1	1	1	1	50

SECONDARY DIGITAL AUDIO EXTERNAL UNIT

n° users	3110/3	3311/3*	3320/0	3340**	1602	1224	1200	1195	2408W/A
from 1 to 100	1	1	1	1	1	1	1	1	from 1 to 100

* The cornice is available in the following colours: Grey (3311/G), White (3311/W), Blue (3311/B) and Orange (3311/O)
 ** The name directory module art. 3342 only can also be used.

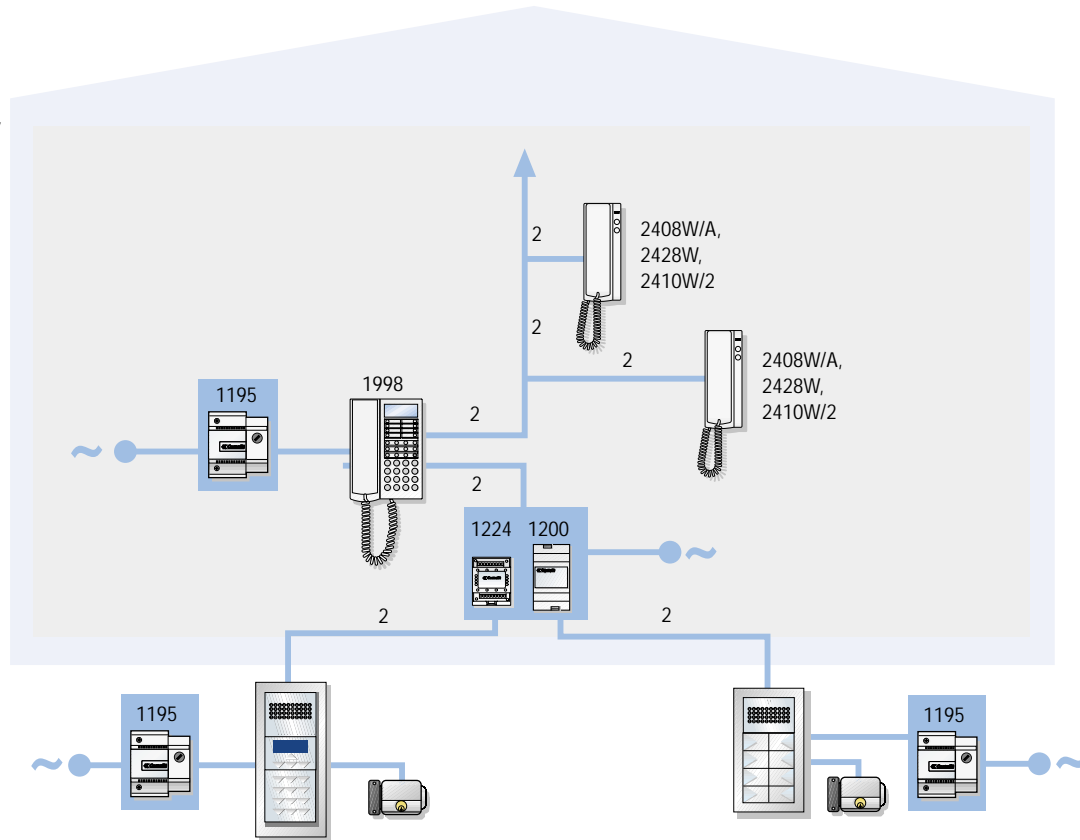
SBC/06

n° users	3110/3	3311/3*	3320/0	3340**	1602	1998	1195	2408W/A
from 1 to 100	1	1	1	1	1	1	2	from 1 to 100

* The cornice is available in the following colours: Grey (3311/G), White (3311/W), Blue (3311/B) and Orange (3311/O)
 ** The name directory module art. 3342 only can also be used.

SBC/07

- Digital door entry phone system consisting of:
- a digital audio entrance unit with digital call module complete with electronic name directory
 - a second entrance unit with traditional entrance panel
 - an audio riser
 - a porter switchboard
 - max. of 100 users
 - intercom function between users possible by means of art.1998



SBC/07

TRADITIONAL AUDIO EXTERNAL UNIT

n° users	3110/1	3110/2	3110/3	3311/1*	3311/2*	3311/3*	3320/0	3320/1	3320/2	3323/4	3323/6	3326	1602	3346	1195
1		1			1			1					1	1	1
2		1			1				1				1	1	1
3			1			1	1			1			1	1	1
4			1			1	1			1			1	1	1
5			1			1		1		1			1	1	1
6			1			1	1				1		1	1	1
7			1			1		1			1		1	1	1
8			1			1			1		1		1	1	1
9		2			2			1		2			1	1	1
10		2			2		1			1	1		1	1	1
12		2			2		1				2		1	1	1
14		2			2				1		2		1	1	1
16			2			2			1	2	1	1	1	1	1
18			2			2	1				3	1	1	1	1
20			2			2			1		3	1	1	1	1
22			2			2	1			1	3		1	1	1
24			2			2	1				4		1	1	1
26			2			2			1		4		1	1	1
28			3			3	1			1	4	2	1	1	1
30			3			3	1				5	2	1	1	1
32			3			3			1		5	2	1	1	1
34			3			3	1			1	5	1	1	1	1
36			3			3	1				6	1	1	1	1
38			3			3			1	3	4		1	1	1
40			3			3	1			1	6		1	1	1
42			3			3	1				7		1	1	1
44			3			3			1		7		1	1	1
46			4			4	1			1	7	2	1	1	1
48			4			4	1				8	2	1	1	1
50			4			4			1		8	2	1	1	1

DIGITAL AUDIO EXTERNAL UNIT

n° users	3110/3	3311/3*	3320/0	3340**	1602	1195
from 1 to 100	1	1	1	1	1	1

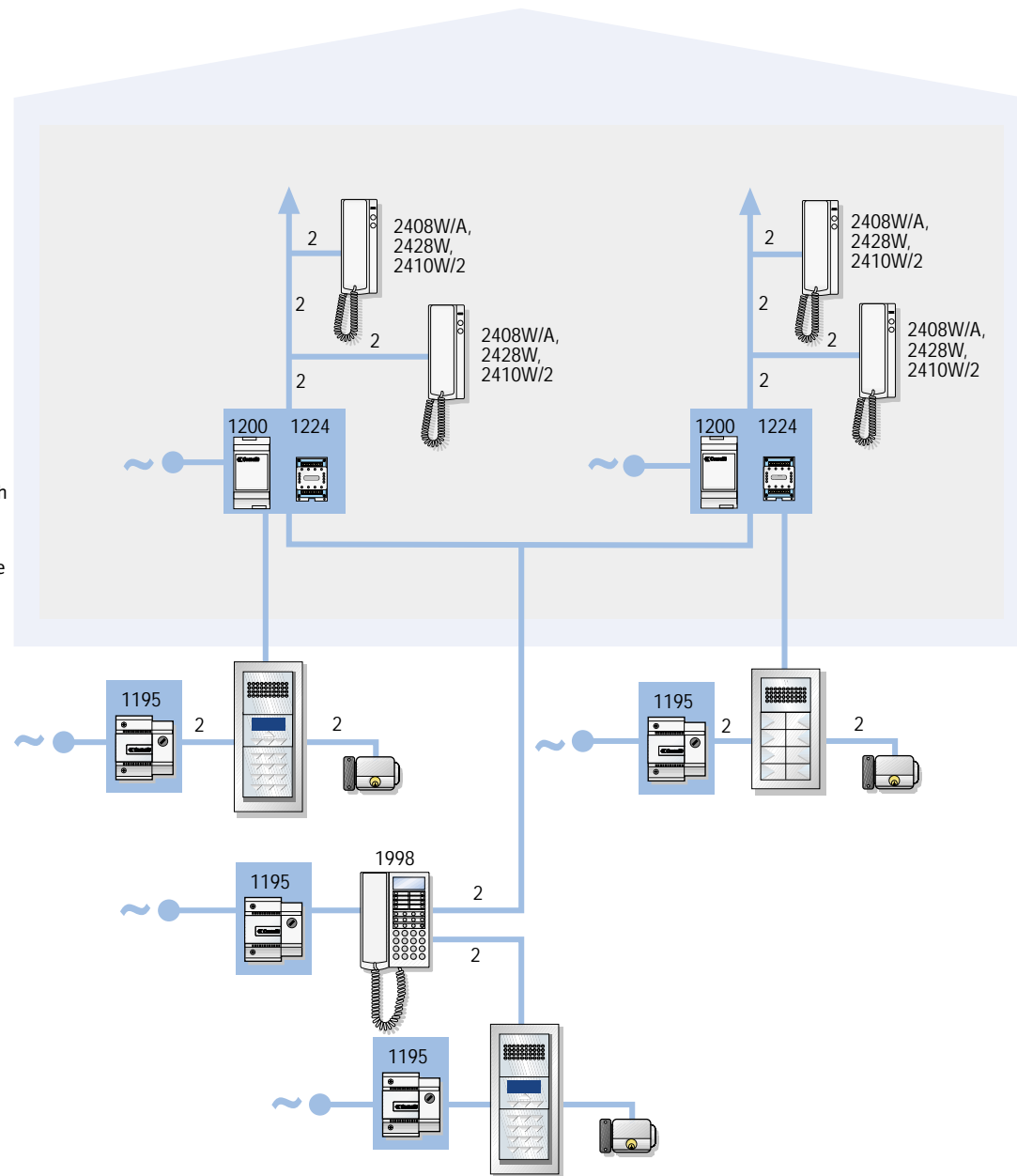
PART IN COMMON

1998	1224	1200	1195	2408W/A
1	1	1	1	from 1 to 100

*The cornice is available in the following colours: Grey (3311/G), White (3311/W), Blue (3311/B) and Orange (3311/O)
 ** The name directory module art. 3342 only can also be used.

SBC/08

- Digital door entry phone system consisting of:
- a main audio entrance unit with digital call module complete with electronic name directory
 - n traditional audio secondary entrance units
 - n digital audio secondary entrance units with digital call module complete with electronic name directory
 - a porter switchboard
 - n audio risers
 - max. 240 users of which max. 100 per riser
 - intercom function between users possible by means of art.1998



SBC/08

MAIN EXTERNAL UNIT AND PORTER SWITCHBOARD

n° users	3110/3	3311/3	3320/0	3340**	1602	1998	1195
from 1 to 240	1	1	1	1	1	1	2

SECONDARY TRADITIONAL AUDIO EXTERNAL UNIT

n° users	3110/1	3110/2	3110/3	3311/1*	3311/2*	3311/3*	3320/0	3320/1	3320/2	3323/4	3323/6	3326	1602	1224	1200	3346	1195	2408W/A
1	1				1			1					1	1	1	1	1	1
2	1				1				1				1	1	1	1	1	2
3		1				1	1			1			1	1	1	1	1	3
4		1				1	1			1			1	1	1	1	1	4
5		1				1		1		1			1	1	1	1	1	5
6		1				1	1				1		1	1	1	1	1	6
7		1				1		1			1		1	1	1	1	1	7
8		1				1			1		1		1	1	1	1	1	8
9		2			2			1		2			1	1	1	1	1	9
10		2			2		1			1	1		1	1	1	1	1	10
12		2			2						2		1	1	1	1	1	12
14		2			2				1		2		1	1	1	1	1	14
16			2			2			1	2	1	1	1	1	1	1	1	16
18			2			2	1				3	1	1	1	1	1	1	18
20			2			2			1		3	1	1	1	1	1	1	20
22			2			2	1			1	3		1	1	1	1	1	22
24			2			2	1				4		1	1	1	1	1	24
26			2			2			1		4		1	1	1	1	1	26
28			3			3	1			1	4	2	1	1	1	1	1	28
30			3			3	1				5	2	1	1	1	1	1	30
32			3			3			1		5	2	1	1	1	1	1	32
34			3			3	1			1	5	1	1	1	1	1	1	34
36			3			3	1				6	1	1	1	1	1	1	36
38			3			3			1	3	4		1	1	1	1	1	38
40			3			3	1			1	6		1	1	1	1	1	40
42			3			3	1				7		1	1	1	1	1	42
44			3			3			1		7		1	1	1	1	1	44
46			4			4	1			1	7	2	1	1	1	1	1	46
48			4			4	1				8	2	1	1	1	1	1	48
50			4			4			1		8	2	1	1	1	1	1	50

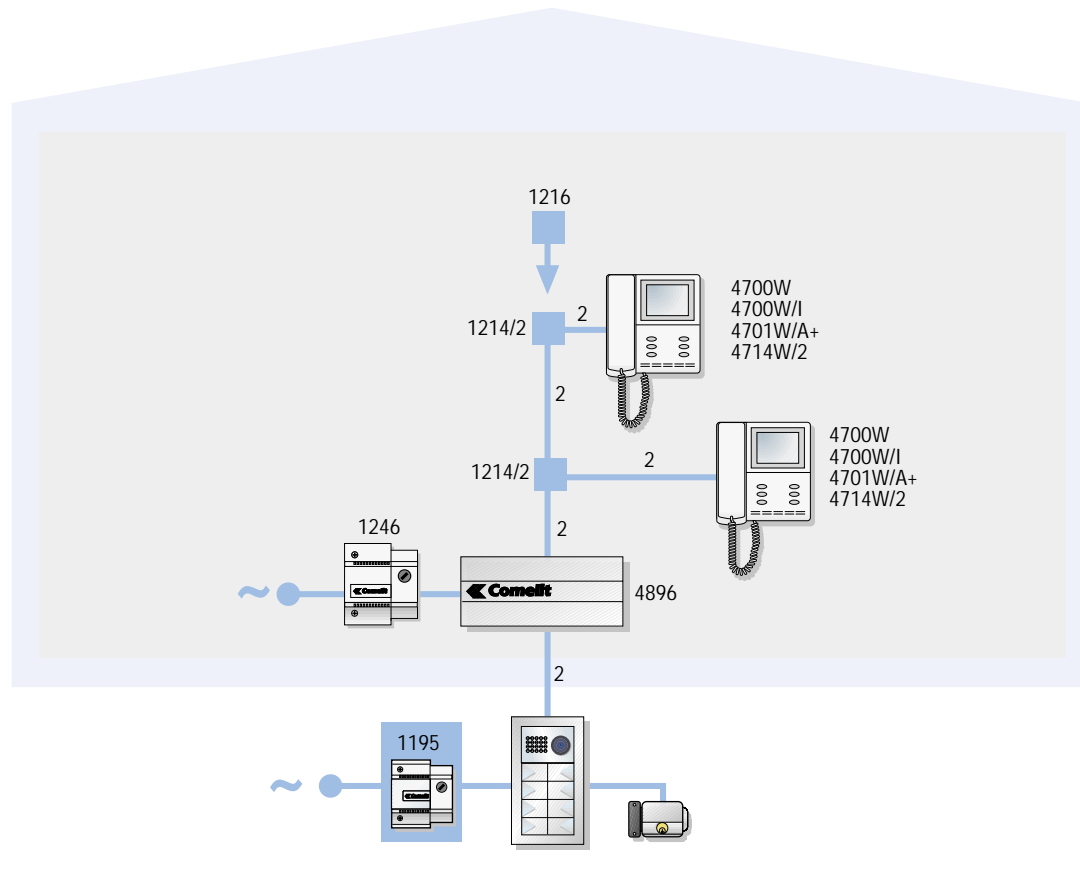
SECONDARY DIGITAL AUDIO EXTERNAL UNIT

n° users	3110/3	3311/3*	3320/0	3340**	1602	1224	1200	1195	2408W/A
from 1 to 100	1	1	1	1	1	1	1	1	from 1 to 100

*The cornice is available in the following colours: Grey (3311/G), White (3311/W), Blue (3311/B) and Orange (3311/O)
 ** The name directory module art. 3342 only can also be used.

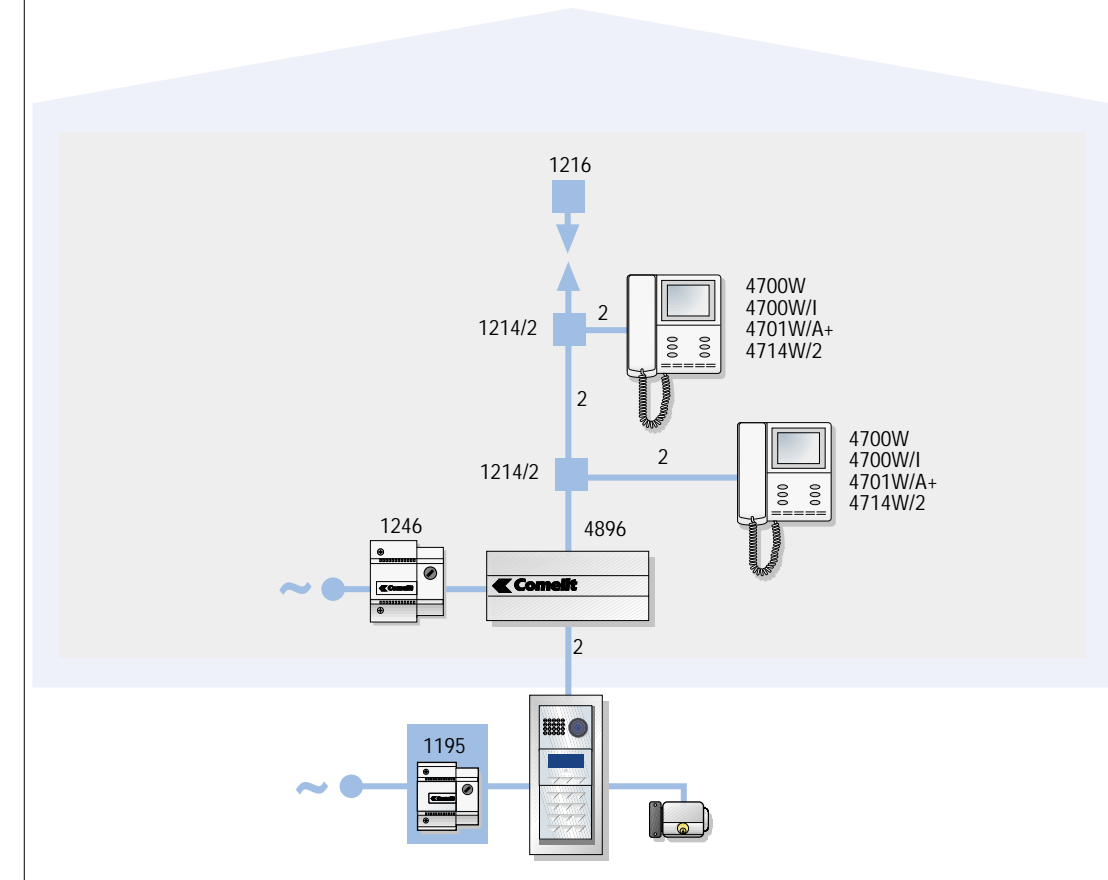
SB2V/01

Digital video phone system consisting of:
 - a traditional audio/video entrance unit
 - an audio/video riser
 - max. of 100 users



SB2V/01D

Digital video phone system consisting of:
 - a digital audio/video entrance unit with digital call module complete with electronic name directory
 - an audio/video riser
 - max. of 100 users



SB2V/01																		
n° users	3110/1	3110/2	3110/3	3311/1*	3311/2*	3311/3*	3321/0	3321/1	3321/2	3323/4	3323/6	3326	4660	1195	1246	4896	4700W, 4700W/I, 4701W/A	4714W/2
1	1			1				1					1	1	1	1	1	1
2	1			1					1				1	1	1	1	2	2
3		1			1		1			1			1	1	1	1	3	3
4		1			1		1			1			1	1	1	1	4	4
5		1			1			1		1			1	1	1	1	5	5
6		1			1		1				1		1	1	1	1	6	6
7		1			1			1			1		1	1	1	1	7	7
8		1			1				1		1		1	1	1	1	8	8
9			1			1		1		2			1	1	1	1	9	9
10			1			1	1			1	1		1	1	1	1	10	10
12			1			1	1				2		1	1	1	1	12	12
14			1			1			1		2		1	1	1	1	14	14
16		2				2			1	2	1		1	1	1	1	16	16
18		2				2	1				3		1	1	1	1	18	18
20		2				2			1		3		1	1	1	1	20	20
22			2			2	1			1	3	1	1	1	1	1	22	22
24			2			2	1				4	1	1	1	1	1	24	24
26			2			2			1		4	1	1	1	1	1	26	26
28			2			2	1			1	4	1	1	1	1	1	28	28
30			2			2	1				5		1	1	1	1	30	30
32			2			2			1		5		1	1	1	1	32	32
34			3			3	1			1	5	2	1	1	1	1	34	34
36			3			3	1				6	2	1	1	1	1	36	36
38			3			3			1	3	4	1	1	1	1	1	38	38
40			3			3	1			1	6	1	1	1	1	1	40	40
42			3			3	1				7	1	1	1	1	1	42	42
44			3			3			1		7	1	1	1	1	1	44	44
46			3			3	1			1	7	1	1	1	1	1	46	46
48			3			3	1				8	1	1	1	1	1	48	48
50			3			3			1		8	1	1	1	1	1	50	50

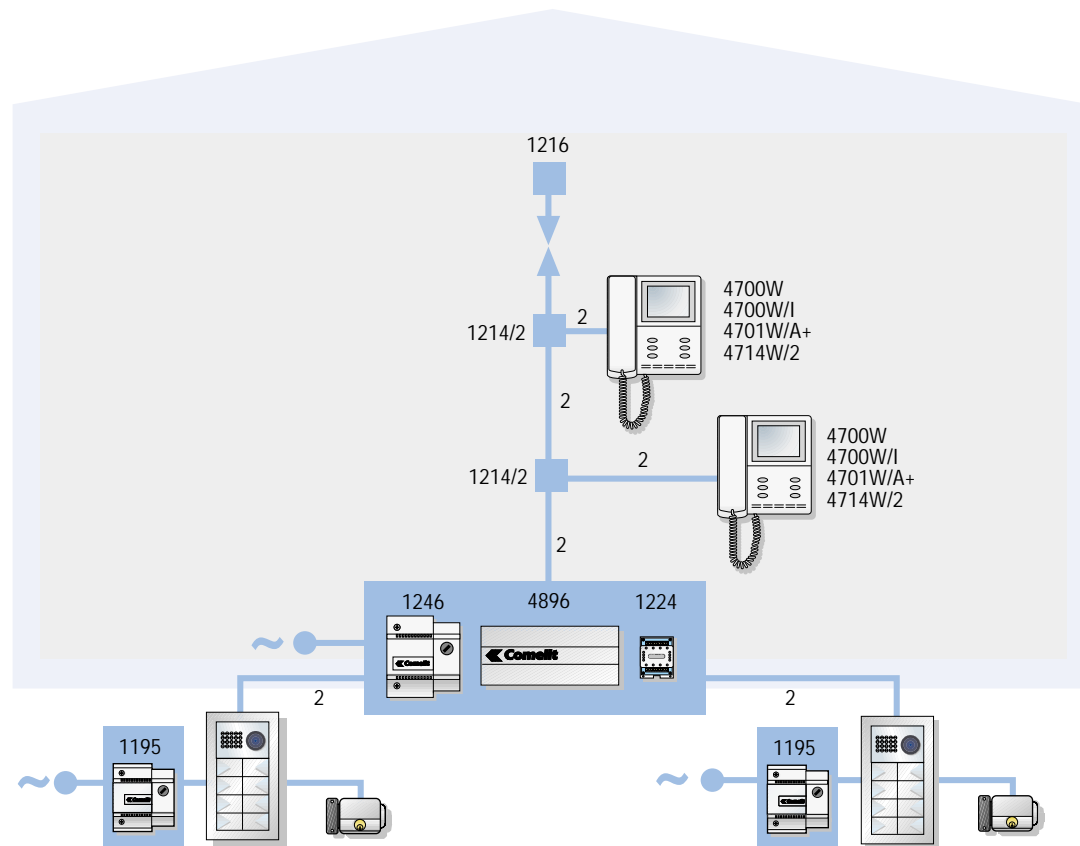
*The cornice is available in the following colours: Grey (3311/G), White (3311/W), Blue (3311/B) and Orange (3311/O)

SB2V/01D										
n° users	3110/3	3311/3*	3321/0	3340**	4660	1195	4896	1246	4700W, 4700W/I, 4701W/A	4714W/2
from 1 to 100	1	1	1	1	1	1	1	1	from 1 to 100	from 1 to 100

*The cornice is available in the following colours: Grey (3311/G), White (3311/W), Blue (3311/B) and Orange (3311/O)
 ** The name directory module art. 3342 only can also be used.

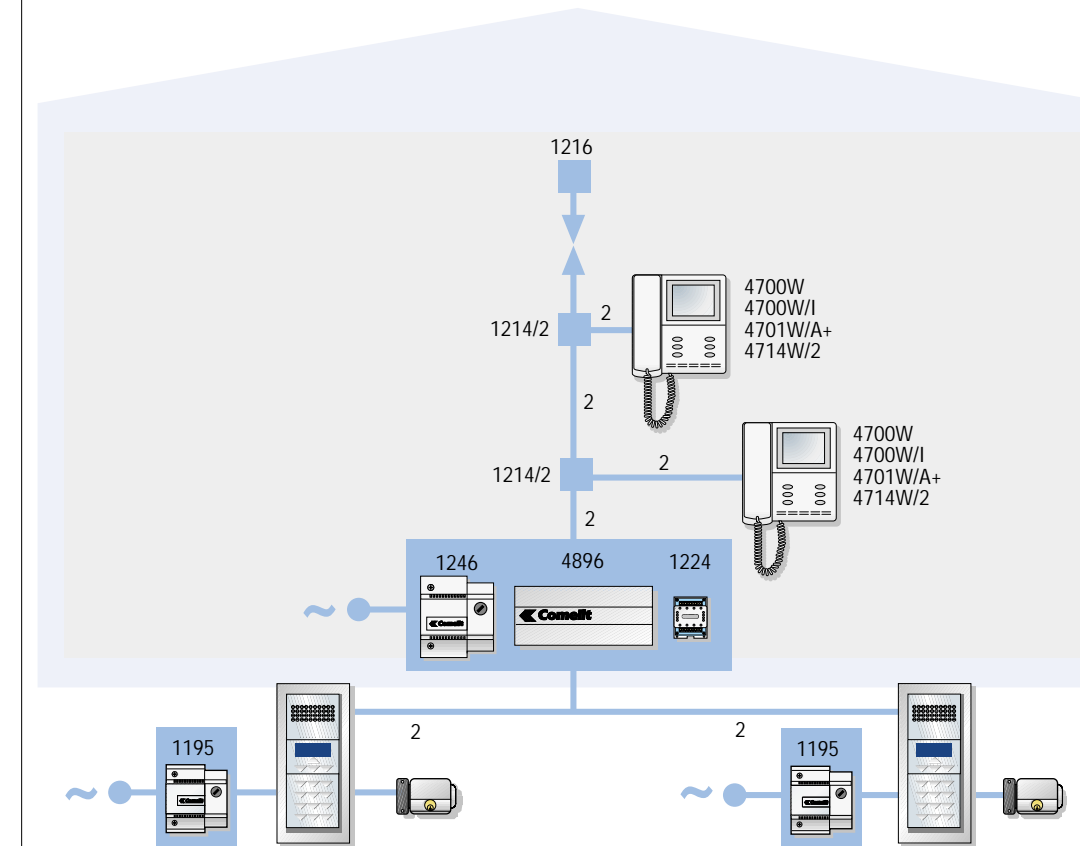
SB2V/03

Digital video phone system consisting of:
 - 2 traditional audio/video entrance units
 - an audio/video riser
 - max. of 100 users



SB2V/04

Digital video phone system consisting of:
 - 2 digital audio/video entrance units with digital call module complete with electronic name directory an audio/video riser
 - max. of 100 users



SB2V/03																		
N° users	3110/2	3110/3	3311/2*	3311/3*	3321/0	3321/1	3321/2	3323/4	3323/6	3326	4660	3346	1195	1246	4896	1224	4700W, 4700W/I, 4701W/A	4714W/2
1	2		2			2					2	2	2	1	1	1	1	1
2	2		2				2				2	2	2	1	1	1	2	2
3		2		2	2			2			2	2	2	1	1	1	3	3
4		2		2	2				2		2	2	2	1	1	1	4	4
5		2		2		2				2	2	2	2	1	1	1	5	5
6		2		2	2				2		2	2	2	1	1	1	6	6
7		2		2		2				2	2	2	2	1	1	1	7	7
8		2		2			2			2	2	2	2	1	1	1	8	8
9	4		4			2		4			2	2	2	1	1	1	9	9
10	4		4		2				2	2	2	2	2	1	1	1	10	10
12	4		4		2				4		2	2	2	1	1	1	12	12
14	4		4				2			4	2	2	2	1	1	1	14	14
16		4		4			2	4	2	2	2	2	2	1	1	1	16	16
18		4		4	2				6	2	2	2	2	1	1	1	18	18
20		4		4		2			6	2	2	2	2	1	1	1	20	20
22		4		4	2			2	6		2	2	2	1	1	1	22	22
24		4		4	2				8		2	2	2	1	1	1	24	24
26		4		4		2			8		2	2	2	1	1	1	26	26
28		6		6	2			2	8	4	2	2	2	1	1	1	28	28
30		6		6	2				10	4	2	2	2	1	1	1	30	30
32		6		6		2			10	4	2	2	2	1	1	1	32	32
34		6		6	2			2	10	2	2	2	2	1	1	1	34	34
36		6		6	2				12	2	2	2	2	1	1	1	36	36
38		6		6		2		6	8		2	2	2	1	1	1	38	38
40		6		6	2			2	12		2	2	2	1	1	1	40	40
42		6		6	2				14		2	2	2	1	1	1	42	42
44		6		6		2			14		2	2	2	1	1	1	44	44
46		8		8	2			2	14	4	2	2	2	1	1	1	46	46
48		8		8	2				16	4	2	2	2	1	1	1	48	48
50		8		8		2			16	4	2	2	2	1	1	1	50	50

*The cornice is available in the following colours: Grey (3311/G), White (3311/W), Blue (3311/B) and Orange (3311/O)

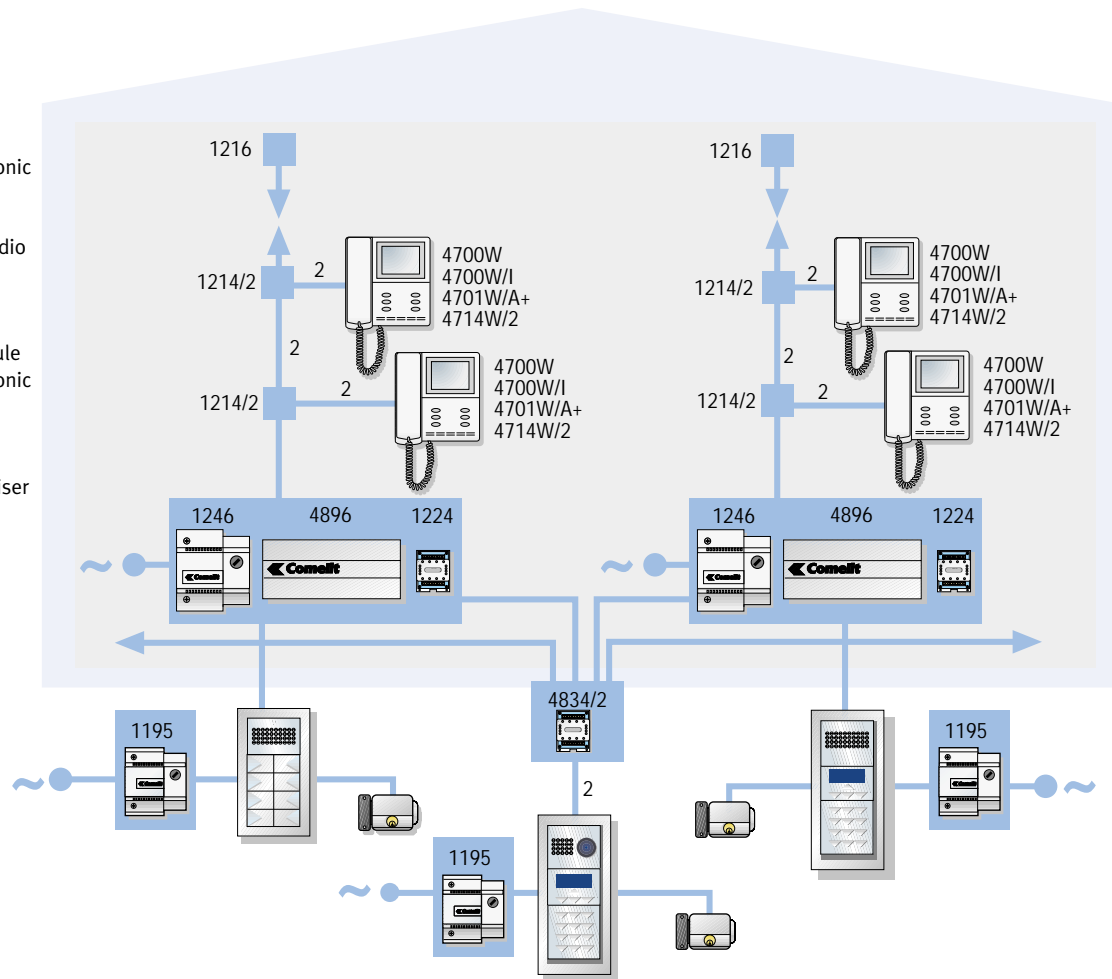
SB2V/04											
n° users	3110/3	3311/3*	3321/0	3340**	4660	1195	4896	1246	1224	4700W, 4700W/I, 4701W/A	4714W/2
from 1 to 100	2	2	2	2	2	2	1	1	1	from 1 to 100	from 1 to 100

*The cornice is available in the following colours: Grey (3311/G), White (3311/W), Blue (3311/B) and Orange (3311/O)

** The name directory module art. 3342 only can also be used.

SB2V/05

- Digital video phone system consisting of:
- a main audio/video entrance unit with digital call module complete with electronic name directory
 - n secondary traditional/digital audio entrance units
 - n secondary digital audio entrance units with digital call module complete with electronic name directory
 - n audio/video risers
 - max. 240 users of which max. 100 per riser



SB2V/05

MAIN DIGITAL AUDIO/VIDEO EXTERNAL UNIT

n° users	3110/3	3311/3*	3321/0	3340**	4660	1195	4834/2
from 1 to 240	1	1	1	1	1	1	1

SECONDARY DIGITAL AUDIO EXTERNAL UNIT

n° users	3110/3	3311/3*	3320/0	3340**	1602	1195	1246	4896	1224	4700W, 4700W/I, 4701W/A	4714W/2
from 1 to 100	1	1	1	1	1	1	1	1	1	from 1 to 100	from 1 to 100

SECONDARY TRADITIONAL AUDIO EXTERNAL UNIT

n° users	3110/2	3110/3	3311/2*	3311/3*	3320/0	3320/1	3320/2	3323/4	3323/6	3326	1602	3346	1195	1246	4896	1224	4700W, 4700W/I, 4701W/A	4714W/2	
1	1		1				1				1	1	1	1	1	1	1	1	1
2	1		1					1			1	1	1	1	1	1	1	2	2
3		1		1	1				1		1	1	1	1	1	1	1	3	3
4		1		1	1				1		1	1	1	1	1	1	1	4	4
5		1		1		1			1		1	1	1	1	1	1	1	5	5
6		1		1	1				1		1	1	1	1	1	1	1	6	6
7		1		1		1			1		1	1	1	1	1	1	1	7	7
8		1		1			1		1		1	1	1	1	1	1	1	8	8
9	2		2			1		2			1	1	1	1	1	1	1	9	9
10	2		2		1			1	1		1	1	1	1	1	1	1	10	10
12	2		2		1				2		1	1	1	1	1	1	1	12	12
14	2		2				1		2		1	1	1	1	1	1	1	14	14
16		2		2			1	2	1	1	1	1	1	1	1	1	1	16	16
18		2		2	1				3	1	1	1	1	1	1	1	1	18	18
20		2		2			1		3	1	1	1	1	1	1	1	1	20	20
22		2		2	1				1	3		1	1	1	1	1	1	22	22
24		2		2	1				4		1	1	1	1	1	1	1	24	24
26		2		2			1		4		1	1	1	1	1	1	1	26	26
28		3		3	1				1	4	2	1	1	1	1	1	1	28	28
30		3		3	1				5	2	1	1	1	1	1	1	1	30	30
32		3		3			1		5	2	1	1	1	1	1	1	1	32	32
34		3		3	1				1	5	1	1	1	1	1	1	1	34	34
36		3		3	1				6	1	1	1	1	1	1	1	1	36	36
38		3		3			1	3	4		1	1	1	1	1	1	1	38	38
40		3		3	1				1	6		1	1	1	1	1	1	40	40
42		3		3	1				7		1	1	1	1	1	1	1	42	42
44		3		3			1		7		1	1	1	1	1	1	1	44	44
46		4		4	1				1	7	2	1	1	1	1	1	1	46	46
48		4		4	1				8	2	1	1	1	1	1	1	1	48	48
50		4		4			1		8	2	1	1	1	1	1	1	1	50	50

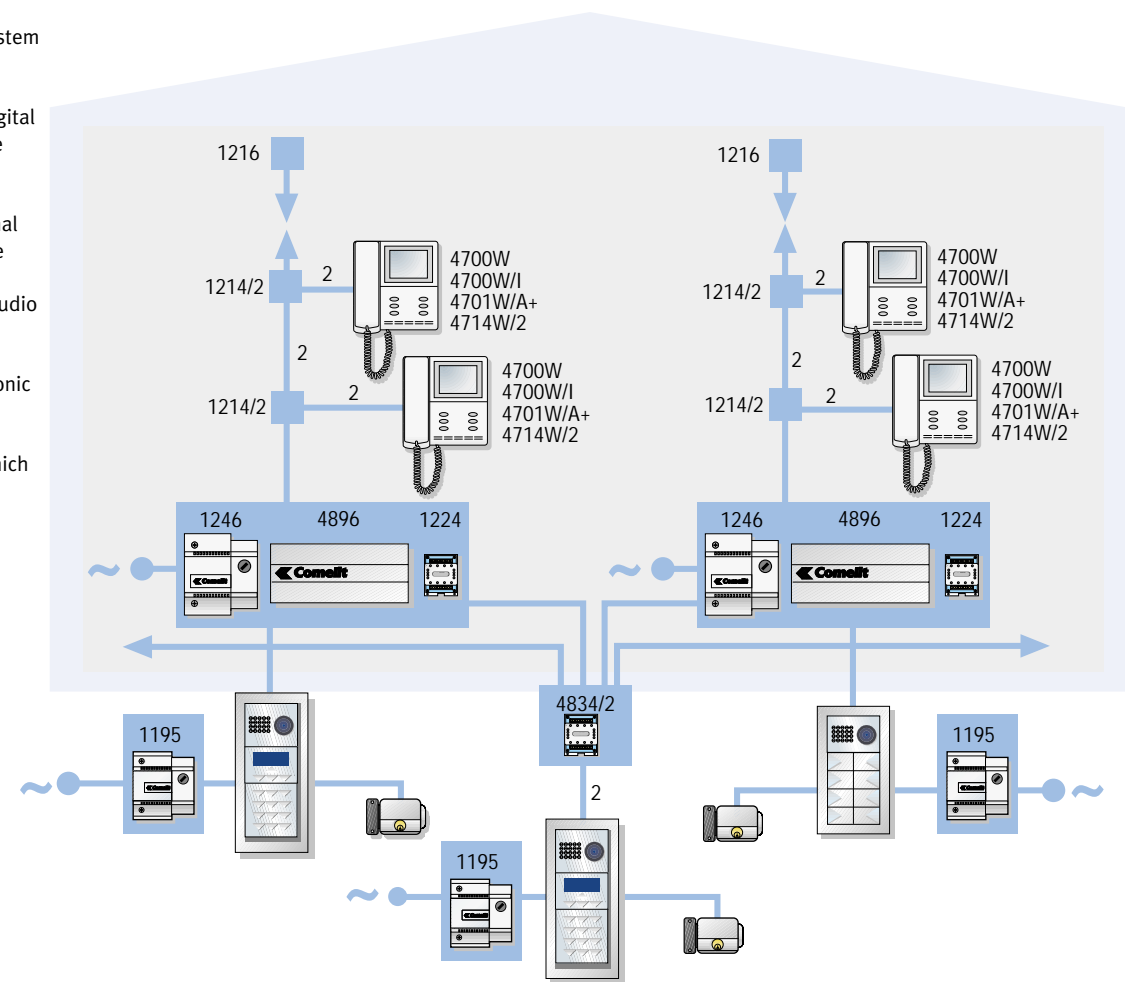
*The cornice is available in the following colours: Grey (3311/G), White (3311/W), Blue (3311/B) and Orange (3311/O)

** The name directory module art. 3342 only can also be used.

SB2V/06

Digital video phone system consisting of:

- a main audio/video entrance unit with digital call module complete with electronic name directory
- n secondary traditional audio/video entrance units
- n secondary digital audio entrance units with digital call module complete with electronic name directory
- n audio/video risers
- max. 240 users of which max. 100 per riser



SB2V/06

MAIN DIGITAL AUDIO/VIDEO EXTERNAL UNIT

n° users	3110/3	3311/3*	3321/0	3340**	4660	1195	4834/2
from 1 to 240	1	1	1	1	1	1	1

SECONDARY DIGITAL AUDIO/VIDEO EXTERNAL UNIT

n° users	3110/3	3311/3*	3321/0	3340**	4660	1195	1246	4896	1224	4700W, 4700W/I, 4701W/A	4714W/2
from 1 to 100	1	1	1	1	1	1	1	1	1	from 1 to 100	from 1 to 100

SECONDARY TRADITIONAL AUDIO/VIDEO EXTERNAL UNIT

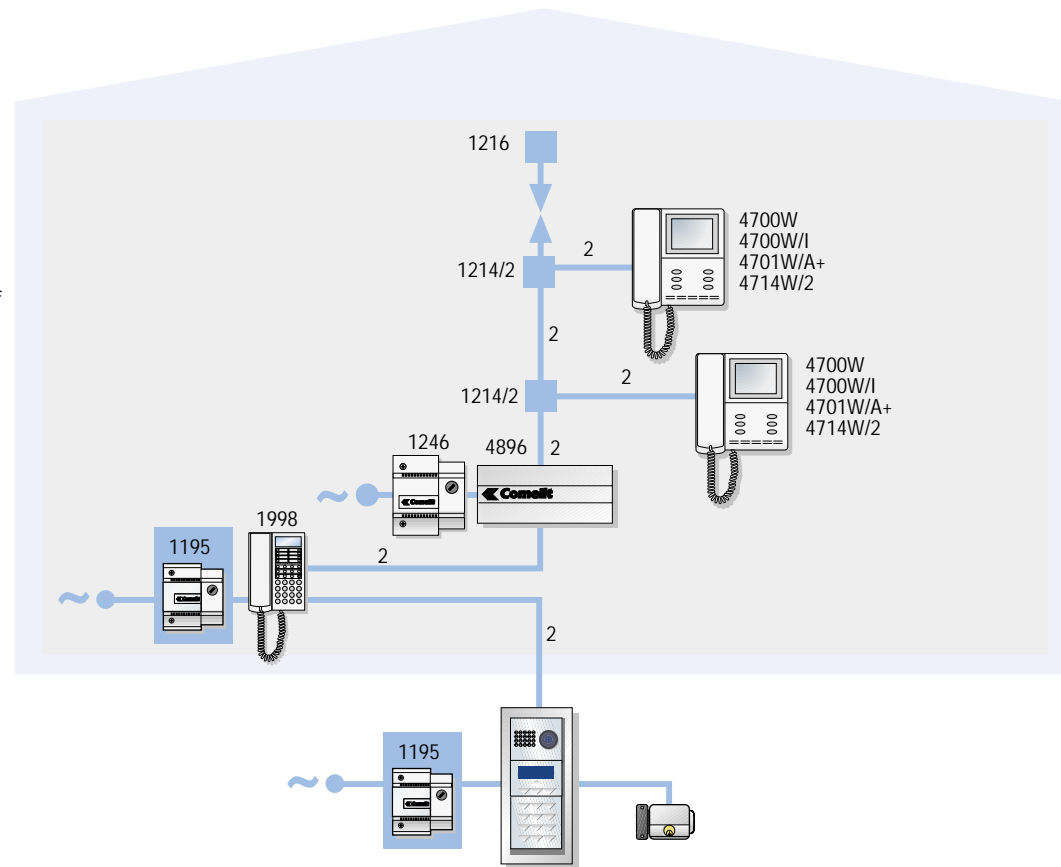
n° users	3110/2	3110/3	3311/2*	3311/3*	3321/0	3321/1	3321/2	3323/4	3323/6	3326	4660	3346	1195	1246	4896	1224	4700W, 4700W/I, 4701W/A	4714W/2	
1	1		1			1					1	1	1	1	1	1	1	1	1
2	1		1				1				1	1	1	1	1	1	1	2	2
3		1		1	1			1			1	1	1	1	1	1	1	3	3
4		1		1	1			1			1	1	1	1	1	1	1	4	4
5		1		1		1		1			1	1	1	1	1	1	1	5	5
6		1		1	1			1			1	1	1	1	1	1	1	6	6
7		1		1		1		1			1	1	1	1	1	1	1	7	7
8		1		1			1	1			1	1	1	1	1	1	1	8	8
9	2		2			1		2			1	1	1	1	1	1	1	9	9
10	2		2		1			1	1		1	1	1	1	1	1	1	10	10
12	2		2		1			2			1	1	1	1	1	1	1	12	12
14	2		2				1	2			1	1	1	1	1	1	1	14	14
16		2	2	2		1	2	1	1	1	1	1	1	1	1	1	1	16	16
18		2	2	1				3	1	1	1	1	1	1	1	1	1	18	18
20		2	2	2		1		3	1	1	1	1	1	1	1	1	1	20	20
22		2	2	1			1	3			1	1	1	1	1	1	1	22	22
24		2	2	1				4			1	1	1	1	1	1	1	24	24
26		2	2			1		4			1	1	1	1	1	1	1	26	26
28		3	3	1			1	4	2	1	1	1	1	1	1	1	1	28	28
30		3	3	1				5	2	1	1	1	1	1	1	1	1	30	30
32		3	3			1		5	2	1	1	1	1	1	1	1	1	32	32
34		3	3	1			1	5	1	1	1	1	1	1	1	1	1	34	34
36		3	3	1				6	1	1	1	1	1	1	1	1	1	36	36
38		3	3			1	3	4		1	1	1	1	1	1	1	1	38	38
40		3	3	1			1	6		1	1	1	1	1	1	1	1	40	40
42		3	3	1				7		1	1	1	1	1	1	1	1	42	42
44		3	3			1		7		1	1	1	1	1	1	1	1	44	44
46		4	4	1			1	7	2	1	1	1	1	1	1	1	1	46	46
48		4	4	1				8	2	1	1	1	1	1	1	1	1	48	48
50		4	4			1		8	2	1	1	1	1	1	1	1	1	50	50

*The cornice is available in the following colours: Grey (3311/G), White (3311/W), Blue (3311/B) and Orange (3311/O)

** The name directory module art. 3342 only can also be used.

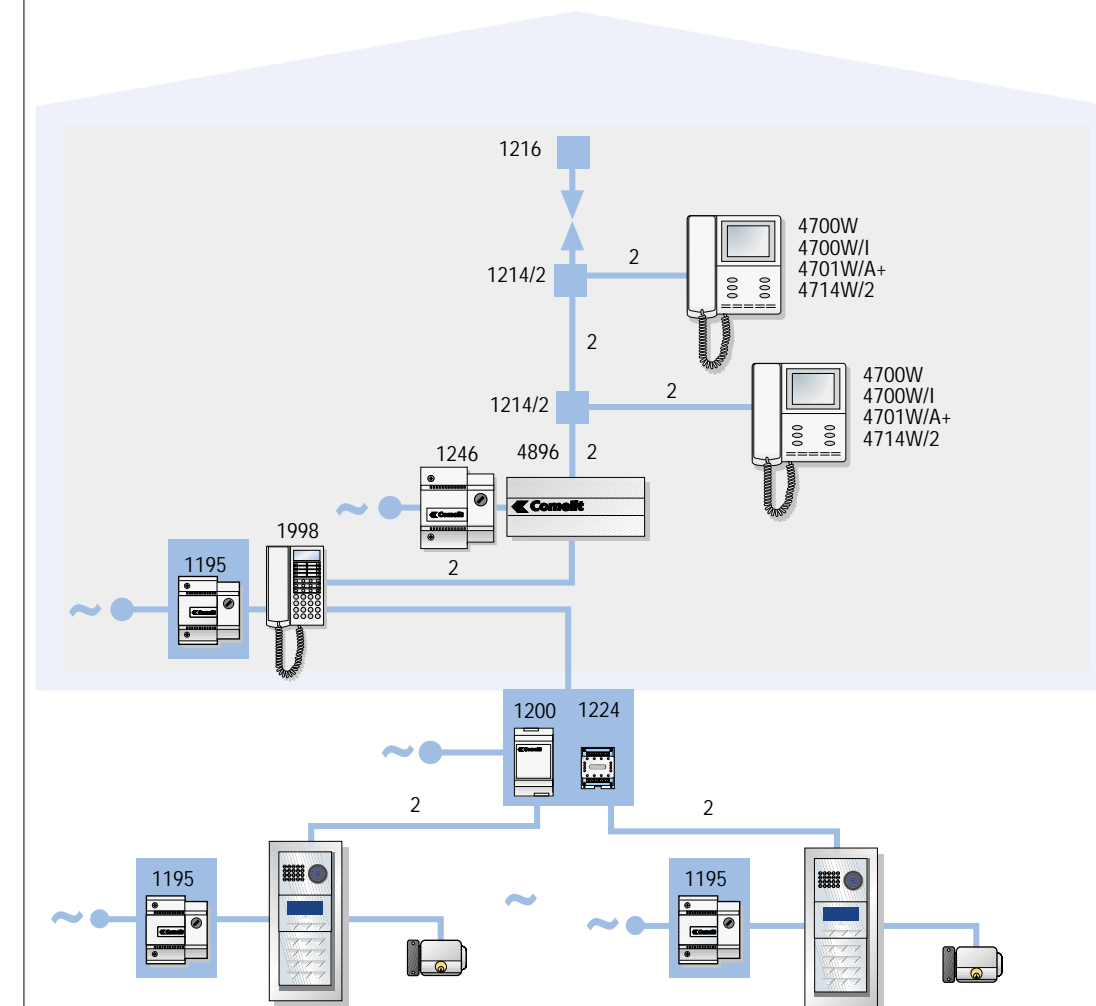
SB2V/07

- Digital video phone system consisting of:
- a main digital audio/video entrance unit with digital call module complete with electronic name directory
 - a porter switchboard
 - n audio/video risers
 - max. of 100 users
 - intercom function between users possible by means of art.1998



SB2V/08

- Digital video phone system consisting of:
- 2 digital audio/video entrance units with digital call module complete with electronic name directory
 - a porter switchboard
 - an audio/video riser
 - max. of 100 users
 - intercom function between users possible by means of art.1998



SB2V/07

n° users	3110/3	3311/3*	3321/0	3340**	4660	1998	1195	1246	4896	4700W, 4700W/I, 4701W/A	4714W/2
from 1 to 100	1	1	1	1	1	1	2	1	1	from 1 to 100	from 1 to 100

*The cornice is available in the following colours: Grey (3311/G), White (3311/W), Blue (3311/B) and Orange (3311/O)
 ** The name directory module art. 3342 only can also be used.

SB2V/08

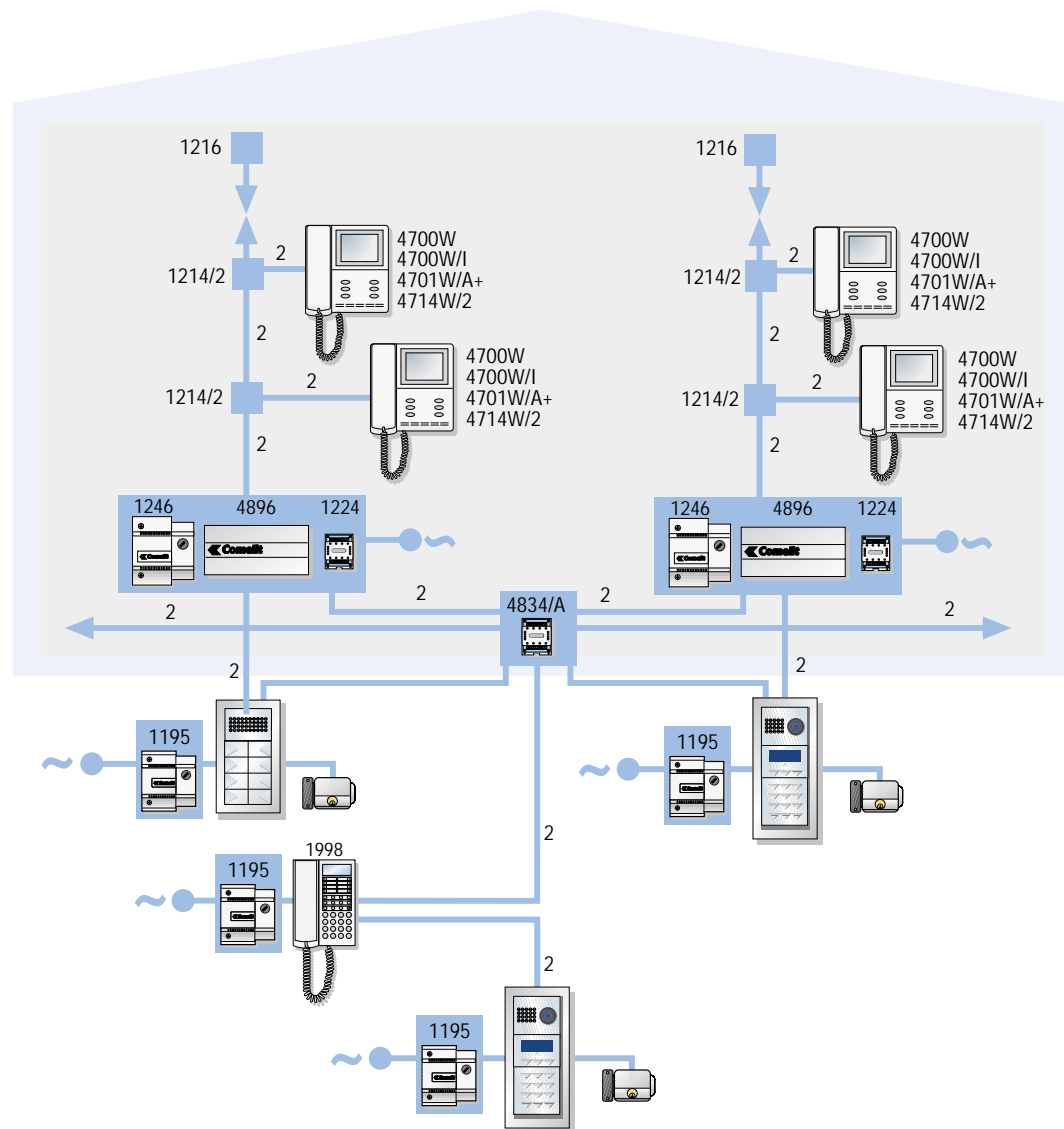
n° users	3110/3	3311/3*	3321/0	3340**	4660	1998	1195	1246	4896	1200	1224	4700W, 4700W/I, 4701W/A	4714W/2
from 1 to 100	2	2	2	2	2	1	3	1	1	1	1	from 1 to 100	from 1 to 100

*The cornice is available in the following colours: Grey (3311/G), White (3311/W), Blue (3311/B) and Orange (3311/O)
 ** The name directory module art. 3342 only can also be used.

SB2V/09

Digital video phone system consisting of:

- main digital audio/video entrance unit with digital call module complete with electronic name directory
- n traditional audio secondary entrance units
- n secondary digital audio/video entrance units with digital call module complete with electronic name directory
- a porter switchboard
- n audio/video risers
- max. 240 users of which max. of 100 users
- intercom function between users possible by means of art.1998



SB2V/09

MAIN EXTERNAL UNIT AND PORTER SWITCHBOARD

3110/3	3311/3*	3321/0	3340**	4660	1195	1998	4834/2
1	1	1	1	1	2	1	1

SECONDARY TRADITIONAL AUDIO EXTERNAL UNIT

n° users	3110/2	3110/3	3311/2*	3311/3*	3320/0	3320/1	3320/2	3323/4	3323/6	3326	1602	3346	1195	1246	4896	1224	4700W,4700W/I,4701W/A	4714W/2
1	1		1			1					1	1	1	1	1	1	1	1
2	1		1				1					1	1	1	1	1	1	2
3		1		1	1			1				1	1	1	1	1	3	3
4		1		1	1			1				1	1	1	1	1	4	4
5		1		1		1		1				1	1	1	1	1	5	5
6		1		1	1				1			1	1	1	1	1	6	6
7		1		1		1			1			1	1	1	1	1	7	7
8		1		1			1		1			1	1	1	1	1	8	8
9	2		2			1		2				1	1	1	1	1	9	9
10	2		2		1			1	1			1	1	1	1	1	10	10
12	2		2		1				2			1	1	1	1	1	12	12
14	2		2				1		2			1	1	1	1	1	14	14
16		2		2			1	2	1	1	1	1	1	1	1	1	16	16
18		2		2	1				3	1	1	1	1	1	1	1	18	18
20		2		2			1		3	1	1	1	1	1	1	1	20	20
22		2		2	1			1	3			1	1	1	1	1	22	22
24		2		2	1				4			1	1	1	1	1	24	24
26		2		2			1		4			1	1	1	1	1	26	26
28		3		3	1			1	4	2	1	1	1	1	1	1	28	28
30		3		3	1				5	2	1	1	1	1	1	1	30	30
32		3		3			1		5	2	1	1	1	1	1	1	32	32
34		3		3	1			1	5	1	1	1	1	1	1	1	34	34
36		3		3	1				6	1	1	1	1	1	1	1	36	36
38		3		3			1	3	4			1	1	1	1	1	38	38
40		3		3	1				1	6		1	1	1	1	1	40	40
42		3		3	1				7			1	1	1	1	1	42	42
44		3		3			1		7			1	1	1	1	1	44	44
46		4		4	1			1	7	2	1	1	1	1	1	1	46	46
48		4		4	1				8	2	1	1	1	1	1	1	48	48
50		4		4			1		8	2	1	1	1	1	1	1	50	50

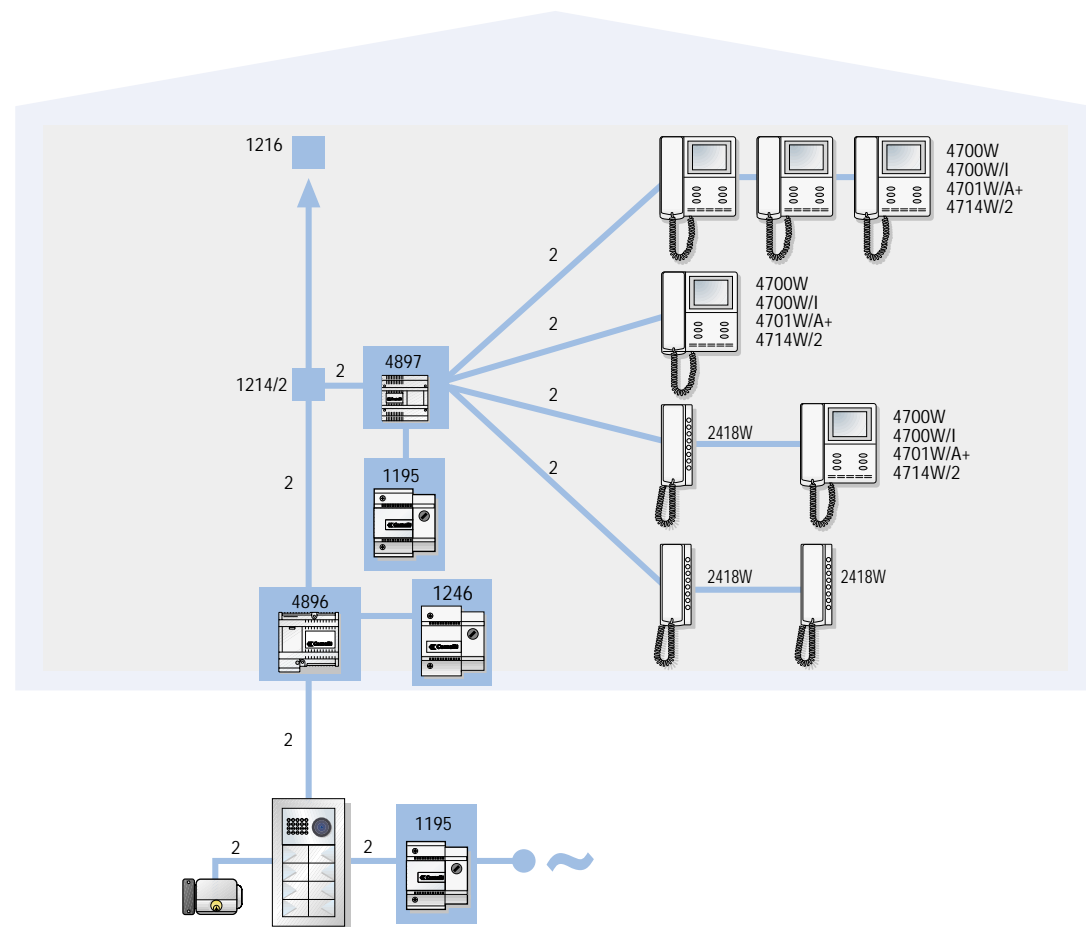
SECONDARY DIGITAL VIDEO EXTERNAL UNIT

n° users	3110/3	3311/3*	3321/0	3340**	4660	1195	1246	4896	1224	4700W,4700W/I,4701W/A	4714W/2
from 0 to 100	1	1	1	1	1	1	1	1	1	from 1 to 100	from 1 to 100

* The cornice is available in the following colours: Grey (3311/G), White (3311/W), Blue (3311/B) and Orange (3311/O)
 ** The name directory module art. 3342 only can also be used.

SB2V/010

example of a system with intercom interface for a single flat



An intercom system with a maximum of 8 extensions (both video phones and telephones) can be made, which can be distributed over 4 branches with a maximum of 3 pieces of apparatus (audio, video or mixed) per branch, simply by adding the intercom interface art. 4897 supplied by art.1195.

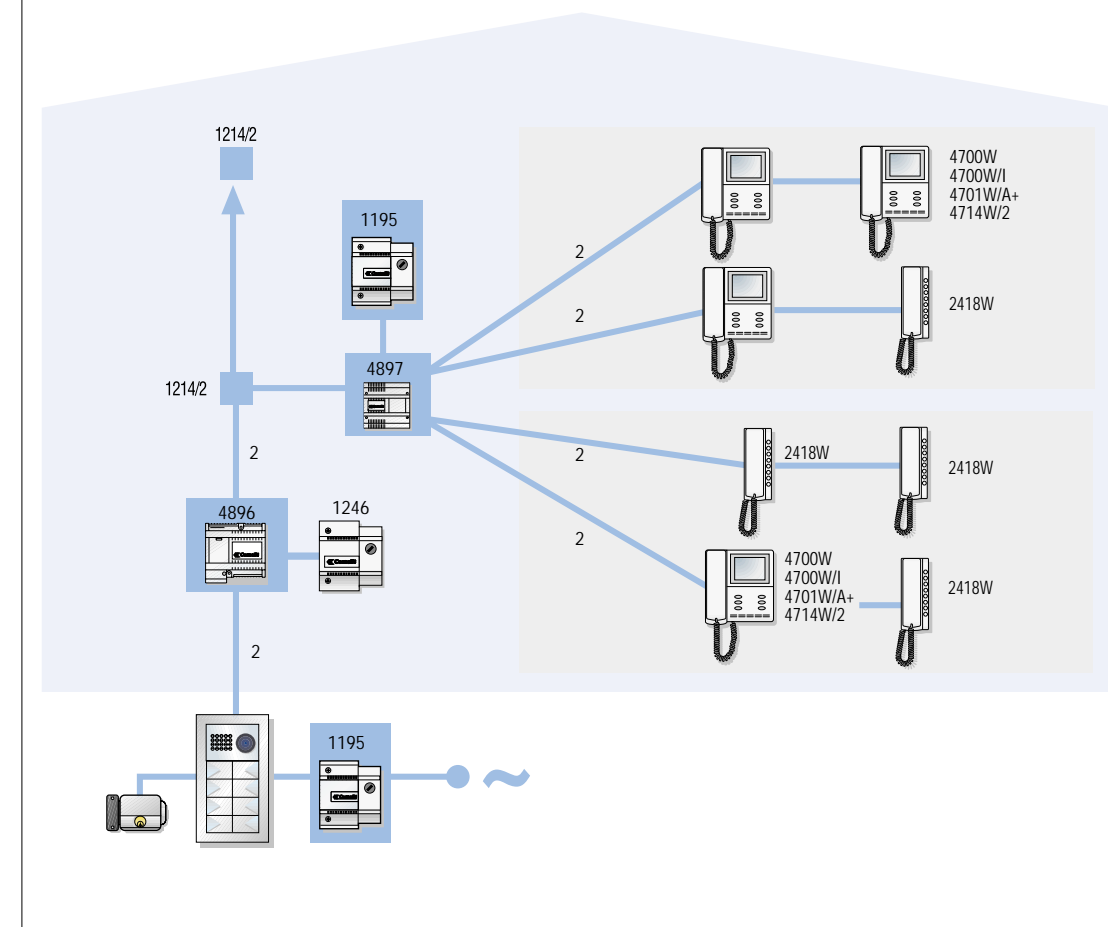
The riser code of the apparatus is normally set using the dip-switch.

The intercom call code must be set by means of the programmer art.1251.

Several intercom interfaces art.4897 can be made on each system.

SB2V/011

example of a system with intercom interface for 2 flats



An intercom system with a maximum of 8 extensions (both video phones and telephones) can be made, which can be distributed over 4 branches with a maximum of 3 pieces of apparatus (audio, video or mixed) per branch, simply by adding the intercom interface art. 4897 supplied by art.1195.

The riser code of the apparatus is normally set using the dip-switch.

The intercom call code must be set by means of the programmer art.1251.

Several intercom interfaces art.4897 can be made on each system.

Index by article

Article	Page
1112	39.
1122/A	41.
1142W/OK	35.
1172	31.
1195	39.
1200	39.
1212/B	39.
1214/2	40.
1216	40.
1224	40.
1234	26.
1246	39.
1249	42.
1250	32.
1251	42.
1254	41.
1256	41.
1258	42.
1259	42.
1602	25. 31. 32.
1998	41.
2408W/A	35.
2410W/2	35.
2418W	35.
2428W	35.
3063/A	32.
3064/A	30.
3070/A	30.
3072	30.
3110	23.
3159	29.
3160	29.
3161	29.
3161/A	29.
3176	30.
3178	30.
3183	30.
3186	31.
3188	31.

3192	31.
3198	31.
3262	29.
3268	29.
3309	25.
3311	23.
3316	23.
3320	23.
3321	23.
3323	23.
3324	24.
3325	24.
3326	24.
3328	24.
3335	24.
3340	24.
3342	25.
3344	25.
3346	25.
4514	37.
4517	37.
4576/100	42.
4576/500	42.
4577/100	41.
4577/500	41.
4660	25. 32.
4700W	36.
4701W/A	36.
4701W/l	36.
4703	36.
4704	37.
4709W	36.
4712	37.
4714W/2	36.
4834/2	40.
4833/A	40.
4896	39.
4897	40.
4908W	37.
4909	37.



Catalogue 66
September 2003

cod. 22592866GB

