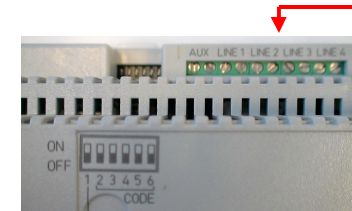
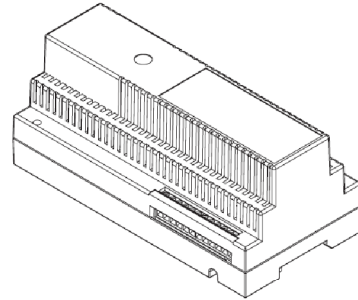




RISER ADAPTER AV1001/05



This device is used in the Btwin system when:

- it requires a system configuration with 2 panels Video or Audio
- and / or you want to divide the column up to a maximum of 4 risers
- and / or you want to realize a configuration with several columns, connecting the various adapters in cascade between them for a maximum of 32, each of them accept 2 additional Video or Audio panels for a maximum of 64 secondary panels.

IN0 IN1

BUS1 BUS2 BUS3 BUS4

BUS IN BUS OUT

Each adapter always needs a dedicated power supply AV1001/02

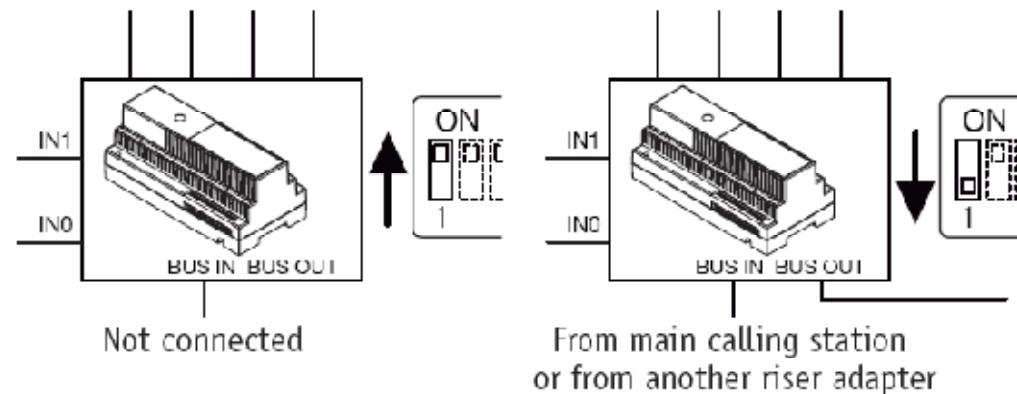




DEVICES CONFIGURATION

RISER ADAPTER CONFIGURATION

DIP 1: this switch is used to select if there are or not devices connected to the terminal pins BUS IN of the riser adapter: if there is no device connected to BUS IN (this is the case of a simple system with only one or two call stations connected to the inputs IN1 and IN0 of the riser adapter), it must be set to ON.



DIP 2 ÷ 6: used to program the column GV code; they must be configured according to the following table. Remember that the GV code of secondary call stations (if present) directly connected to the riser adapter must be the same as the riser adapter GV code here configured.

