

SPRINT handset (without the possibility of fitting with accessories)

Description

2 WIRE handset that cannot be fitted with accessories, wall mounted or table top installation.
Whit door lock opening key.
Bell volume adjustable on 3 levels.

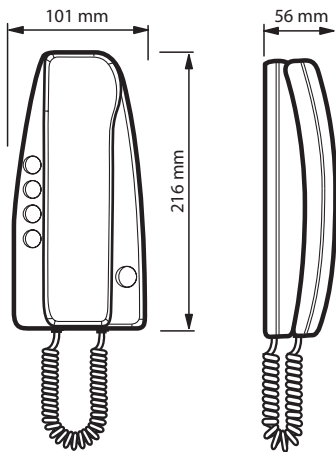
Related items

337242 Handset table-top base
336803 AMP cable for connection on table-top base

Technical data

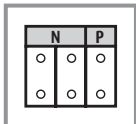
Power supply from SCS BUS: 18 – 27 Vdc
Stand by absorption: 5 mA
Max. operating absorption: 35 mA
Operating temperature: 5 - 40°C

Dimensional data



Configuration

The handset must be physically configured:



N - handset number

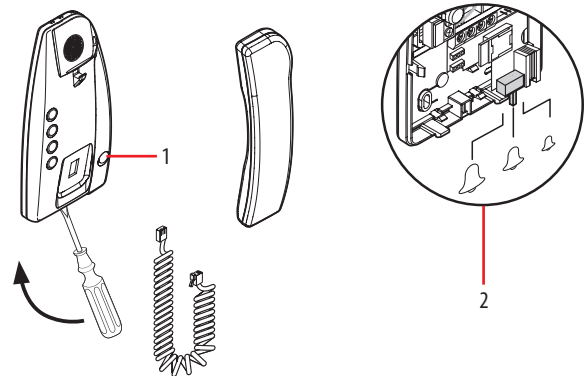
The N configurator assigns to each handset an identification number within the AUDIO system.

The handsets must be configured in progressive order.

In case of handsets with parallel connection (max 3) inside the apartment without 346850 apartment interface, these must be configured using the same N configurator.

P - entrance panel association

the P configurator identifies the associated EP.



Legend

- 1 - Door lock key
- 2 - Bell volume adjustment

Wall mounted installation

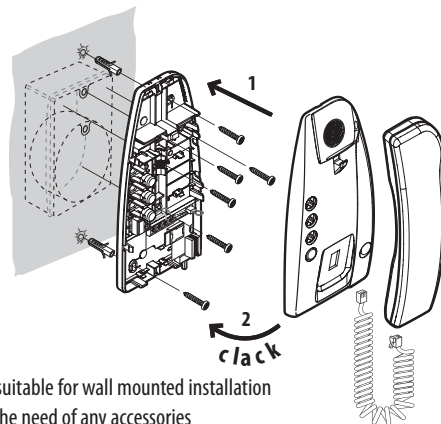


Table installation

