



# AXOLUTE VIDEO STATION

349210

### Description

2-wire speaker phone video handset for wall mounted installation.  
 With 5.6" colour LCD display with PC customisable OSD navigation icon menu for the management of the following MY HOME applications: video door entry system, temperature control, sound system, automation (scenarios) and anti-intrusion.  
 In systems integrated with the sound system, the VIDEO STATION behaves as an amplifier, enabling playback of all audio/video sources connected to the system.  
 LED signalling for: call exclusion, door status, and connection to the entrance panel.  
 Suitable for wall mounted installation using the special bracket (supplied as standard).  
 Programming and configuration using the TiAxoluteStation software supplied with the product.

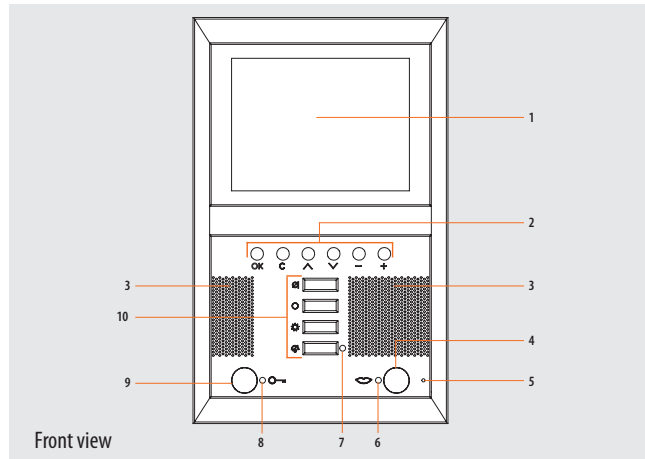
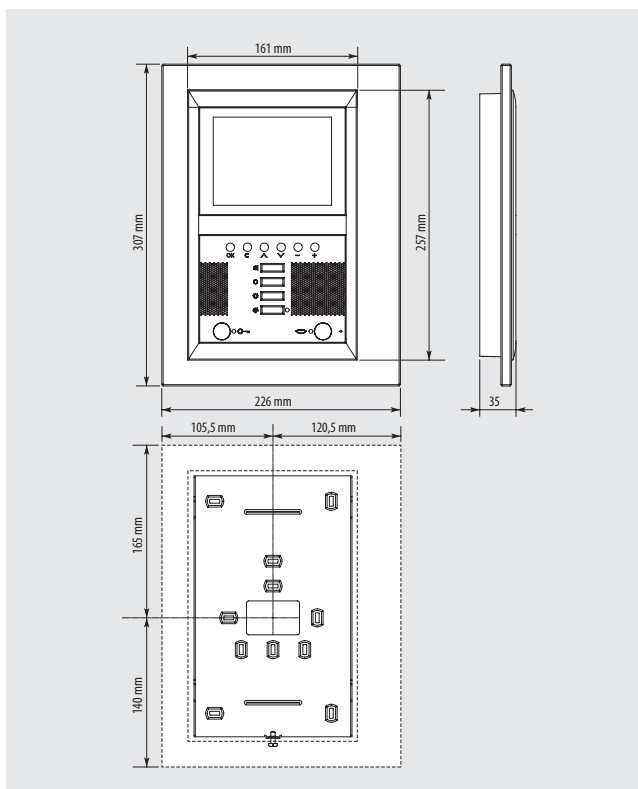
### Related items

- 349210 - Surround plate (satin-finished aluminium)
- 349211 - Surround plate (KRISTALL glass)
- 349212 - Surround plate (TEAK wood)

### Technical data

Power supply from SCS BUS: 18 – 27 Vdc  
 Stand by absorption: 10 mA  
 Max. operating absorption: 410 mA  
 Operating temperature: 5 - 40°C

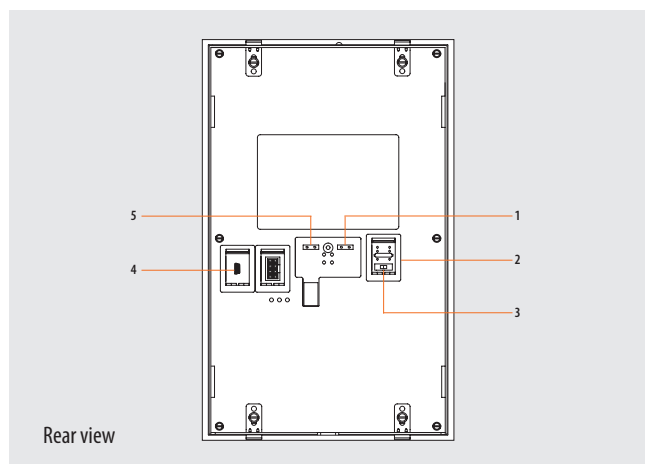
### Dimensional data



Front view

### Legend

- 1 - 5.6" colour LCD display
- 2 - Navigation keypad and confirmation inside the menu
- 3 - Loudspeakers; for the diffusion of voice and stereo sound
- 4 - Connection key; enable/disable the connection
- 5 - Microphone
- 6 - Connection status LED
- 7 - LED for call exclusion notification
- 8 - Door lock status LED
- 9 - Door lock opening key
- 10 - Keys for video door entry functions



Rear view

### Legend

- 1 - Clamps for the connection of the 2-wire SCS BUS
- 2 - Configurator socket
- 3 - Line termination ON/OFF micro-switch
- 4 - Mini-USB connector for PC connection
- 5 - Additional power supply connection clamps

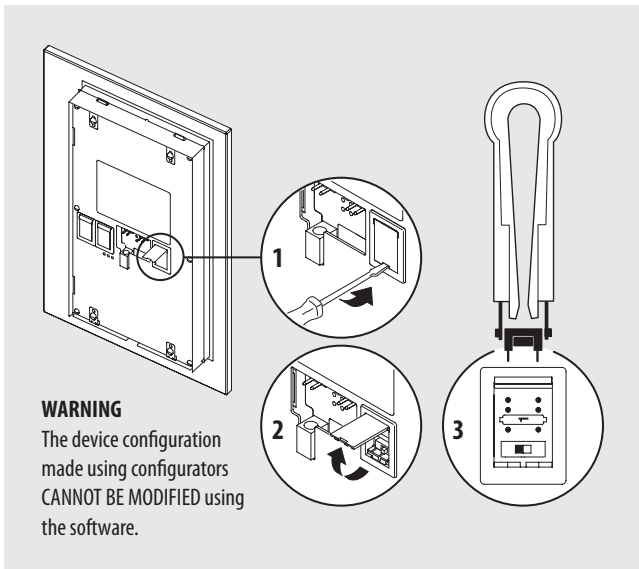
**Configuration**

AXOLUTE VIDEO STATION can be configured in 2 different modes:

- **Fast configuration** (through the connection of physical configurators)
- **Advanced configuration** using the TiAxoluteStation software supplied with the product.

**Fast configuration** enables the user to access the menu of the video door entry functions. This is the standard configuration using configurators to be connected to the appropriate socket on the back of the device itself.

**Warning:** If the apartment interface, item 346850, is installed in the apartment, configuration of the video handset using the software supplied is recommended.



N	P	M
○	○	○
○	○	○

**N - numero del Handset**

The N configurator assigns each video handset an identification number within the system. The handsets must be configured in progressive mode. Handsets with parallel connection (max 3 are allowed inside the apartment without item 346850) must be configured with the same N configurator. Additional audio handsets, video handsets and/or bells can be installed in parallel to the basic video handset.

**P - entrance panel association**

The P configurator identifies the associated EP, or the first entrance panel that switches itself on when the pushbutton (○) is pressed the first time, as well as which door lock with idle video handset is activated, when the pushbutton (○) is pressed.

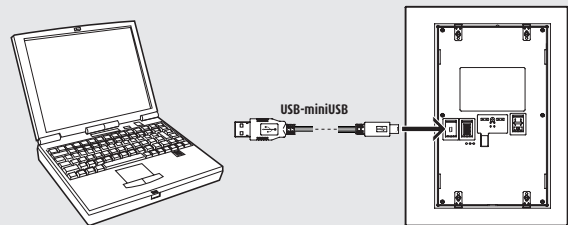
**M - Operating mode**

The M configurator identifies the main menu of the device and therefore all the usable preset functions (see manual supplied with the product).

**The advanced PC configuration** using the TiAxolutestation software (CD supplied), provides the user with a higher degree of customisation, with the possibility to:

- create flexible menus
- customize text messages
- access all home automation functions

To transfer the configuration performed using the TiAxolutestation software, or to update the firmware, connect Axolute Video Station to the PC using the USB-mini cable.



**To ensure that communication is successful, Axolute Video Station must be powered and not physically configured.**