

## SFERA CLASSIC speaker module with 2 call pushbuttons

342170

### Description

Speaker module for 2 WIRE system.

The following devices can be connected to the speaker module:

- Colour camera module to realize the video systems 342550
- Black and white camera module to realize video systems 342510
- Nameplate module 342200
- Pushbuttons module 342240
- Numeric digital call module 342610
- Alphanumeric digital call module 342600

All the described modules are connected to the speaker module by means of the appropriate multi-cables. The speaker module allows to make systems of up to 100 handsets and the opening of an electric door lock directly connected between clamps S+ S- (18 V 4 A impulsive, 250 mA holding current). The door lock can be locally supplied by a transformer or using the actuators 346230 or 346260.

### Related items

332111 (speaker module front cover, 1 pushbutton - Allmetal)

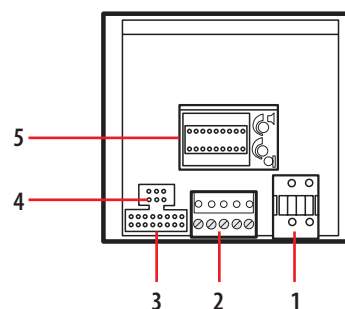
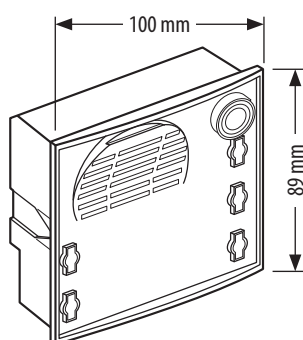
332121 (speaker module front cover, 2 pushbuttons - Allmetal)

For the use of monobloc front covers refer to the catalogue.

### Technical data

Power supply from SCS BUS: 18 – 27 Vdc  
 Stand by absorption: 25 mA  
 Max. operating absorption: 75 mA  
 Operating temperature: (-25) – (+70)°C

### Dimensional data



### Legend

- 1 - Removable connector for the connection of the additional power supply
- 2 - Removable connector for the connection of the BUS, the electrical door lock, and the entrance hall door lock release pushbutton.
- 3 - Socket for the connection of the nameplate module, the pushbuttons module or the digital call module
- 4 - Connection socket for the camera connector.
- 5 - Socket for configurators and potentiometers to adjust the microphone and loudspeaker volume, jumper for adaptation to the type of door lock and the alphanumeric call module.

**Configuration**

**The device must be configured as follows:**

**P - entrance panel number**

The configurator in socket P of the speaker module assigns to this a recognition number inside the system. The numbering of the entrance panels must always start from P=0. The entrance panel configured with P=0 must be a common (or main) entrance panel.

**N - call number**

Assigns the correspondence between the entrance panel pushbuttons and the audio handsets or video handsets. In common entrance panels made using pushbutton modules, 1 must be inserted in N of the speaker module. The number of the first riser handset must be inserted in the local entrance panels. When the entrance panel is made with speaker module and digital call module (342630 or 342610) no configurator must be inserted in N.

**T - door lock relay timing**

configurator number							
0= No configurator	1	2	3	4*	5	6	7
4 sec.	1 sec.	2 sec.	3 sec.	as pushbutt.	6 sec.	8 sec.	10 sec.

\* **Operation as pushbutton for 10 sec. max**, after which standby mode is activated. To extend operation time over 10 seconds, use actuator item 346200 / 346210 configured with **MOD=5**.

**S - type of call signal**

The configuration of S determines the call tone of SPRINT, SPRINT L2 handsets. One can thus differentiate the calls from different entrance panels.

**Table for SPRINT - SPRINT L2 handset call signal**

Configurator	0	1	2	3
Type of bell	2-tone	2-tone	2-tone	One-tone
	1200Hz	1200Hz	1200Hz	1200Hz
	600Hz	0 Hz	2400Hz	

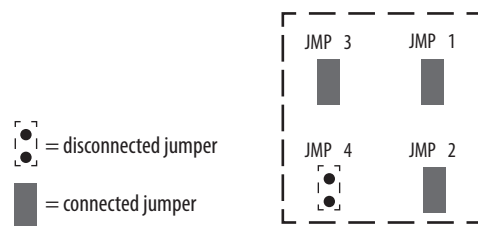
For the SWING, PIVOT, POLYX, CLASSE 100 and AXOLUTE handsets, the **S configurator** associates the Entrance panel to the bell programmed in the handset. It is possible to chose between 16 different bells. In one-family systems **S=9 to configure the general call**.

**JUMPERS (JMP1) and ( JMP2) - Critical door lock power supply:**

Remove the JMP1 and JMP2 jumpers to connect to the speaker module a door lock with independent power supply.

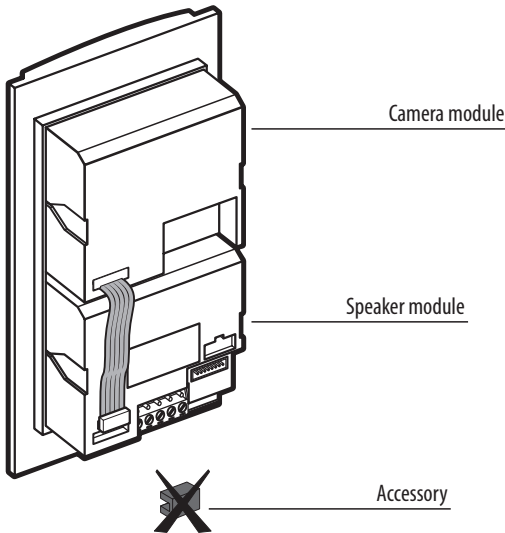
**JUMPER (JMP3) - EP local power supply**

Remove the JMP3 jumpers when the speaker module is powered by an additional power supply.



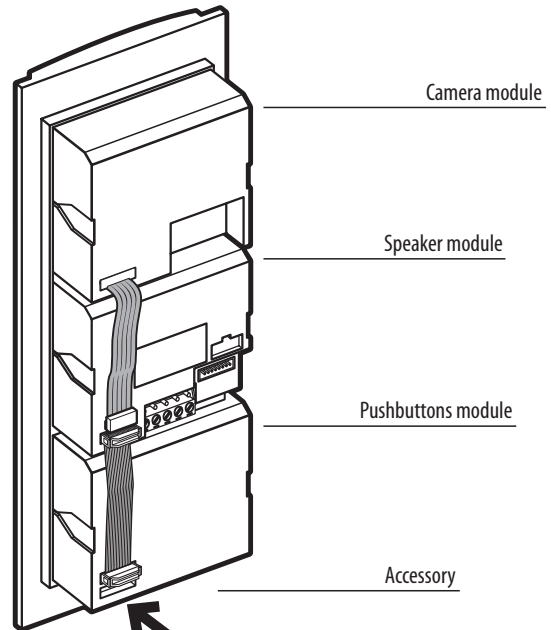
**Installation and connection**

Supplied as standard with the speaker module is a closing accessory with connector. The accessory must be fitted in the last pushbutton module of the pushbutton panel, after connecting the modules to each other using the multicables with connectors. It must not be used if the pushbutton panel only consists of a 1 or 2 pushbutton speaker module, in addition to a camera module that may be installed.

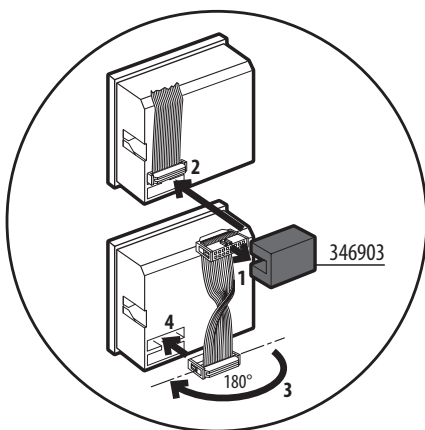


Example: entrance panel consisting of camera module and speaker module. It does not require the accessory supplied with the product.

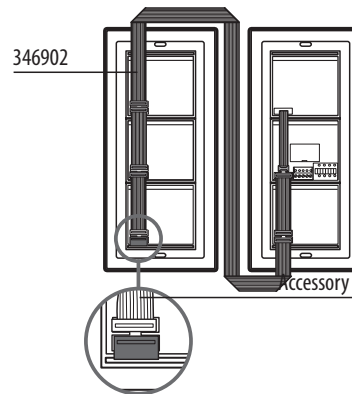
- With entrance panels with less than 26 calls, it is necessary to connect the modules in a vertical position on several columns using 346902, and to fit in the last pushbutton module the accessory supplied as standard.
- For entrance panels with more than 26 calls it is necessary to connect the modules in a vertical position on several columns using 346902. After the sixth key module (or after 26 calls), fit 346903 and invert the flat supplied as standard. In the last key module fit the accessory supplied as standard.



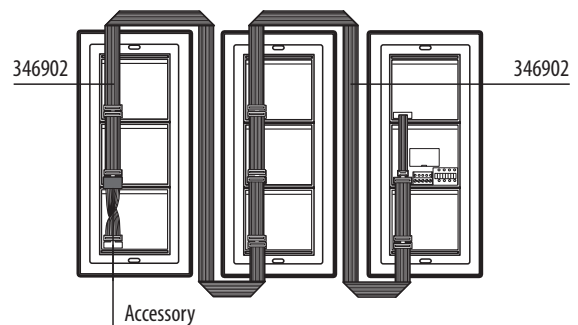
Example: speaker module consisting of camera module, speaker module and 4-pushbutton module; the accessory supplied as standard must also be used.



Connection 346903 and flat inversion.



Example - Connection of pushbutton panel with less than 26 calls



Example - Connection of pushbutton panel with more than 26 calls.