



Floor call interface

346833

Description

Floor call interface which allows, by means of a traditional pushbutton, to make the following functions:

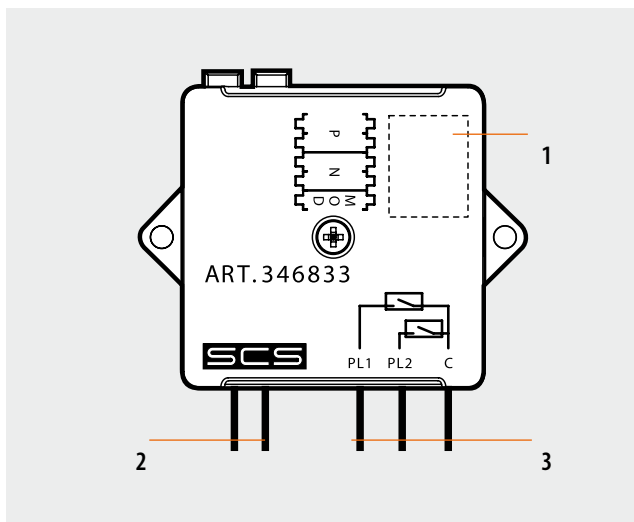
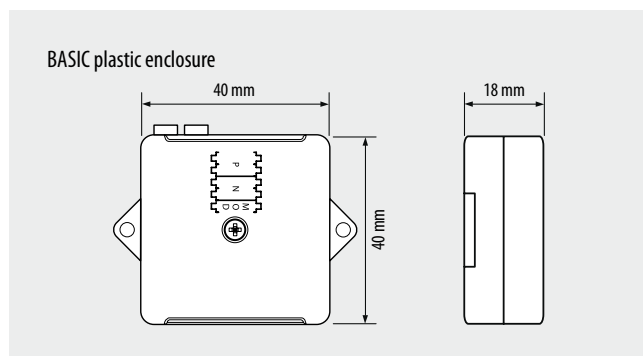
- general floor call
- addressed floor call
- staircase light switching on
- Door lock opening (with specific actuator)
- associate the video image to the call to the floor

WARNING: the maximum connection distance between the interface and the connected pushbuttons must not exceed 3 metres.

Technical data

Power supply from SCS BUS: 18 – 27 Vdc
 Stand by absorption: 15 mA
 Max. operating absorption: 15 mA
 Operating temperature: 5 – 40°C

Dimensional data



Legend

- 1 - Configurator socket (to access remove the upper plastic protection cover)
- 2 - Clamps for the connection to the 2-wire BUS
- 3 - Clamps for the connection of the pushbuttons / contacts (connect a pushbutton between PL1 and C and one between PL2 and C)

Configuration

The device must be physically configured in terms of:

N = address of the handset to call
 (To be used only with MOD = 0)

P = address of the entrance panel associated to the door lock to open
 (To be used only with MOD = 2 and MOD = 3)

MOD = Operating mode
 the configurator connected to MOD assigns the operating modes to the pushbuttons connected between (PL1 and C) and (PL2 and C), as shown in the table:

MOD	N	P	PL1	PL2
0	Handset address (00-99)	-	Addressed floor call	Staircase lights from Handset with 00
1	-	-	General floor call	Staircase lights from Handset with 00
2	-	Door lock address (00-95)	Door lock opening	Staircase lights from Handset with 00
3	-	Door lock address (00-95)	Door lock opening	Door lock opening (P+1)
4(*)	Handset address (00-99)	Camera address (00-95)	-	-

(*): see installation notes on next page.

Installation notes

The MOD = 4 configuration mode enables associating the video image of a camera to the call to the floor generated by the off-door pushbutton.

To use this function correctly, the following must be taken into account:

- The involved handsets, the 346833 interface, and the camera must be physically connected on the same SCS BUS.
- In multi-family systems connect the involved devices downstream the apartment interface item 346850 - (cameras and handsets are local resources of the individual user).
- The active function keeps the SCS BUS busy for approximately 30", during which no other call can be forwarded. If the handset connects, the BUS will be busy until the TIME OUT period elapses, or the handset itself is disconnected.
- Only the following 2-wire BTicino cameras that can be used for this function: 391670 – 391657 – 391658 – 391659 – 391667 – 391668 - 391669 – 391661 – 391662 – 391663.