

ENTRY CONTROL SYSTEMS SURVEY FORM

Date: _____
 Forename: _____
 Company name: _____
 Telephone: _____
 Fax: _____
 Job name: _____

Time: _____
 Surname: _____
 Branch: _____
 Mobile: _____
 Email: _____
 Date quote needed by: _____

General considerations:

What type of installation is it?
 Is it an audio or a video system?
 How many monitors/handsets do you require?
 If video, is the system colour or monochrome?

- House Business Apartments
 Audio
 Colour Monochrome

For a house or business:

Does the building provide goods, facilities or services to the public (DDA)?
 How many entrances, including vehicle access?
 How many buttons on the entry panel?
 What is the maximum number of handsets/monitors called from 1 button?
 Maximum number of handsets/monitors

- Yes No

For apartments:

How many apartments are there in total? _____
 How many blocks are there? _____
 How many entrances per block? _____
 Is there a porter or concierge? Yes No
 How many shared main gates? _____

For all installations:

What is the distance from the furthest entry panel to the power supply unit (PSU)? _____

What is the distance from the PSU to the furthest handset/monitor? _____

Please note that if you are unable to confirm distances at this time, you may require an alternative quotation once the information becomes available.

Entry panels:

Which style of entry panel do you require?

Analogue

-   
Targha
 white
 grey
 brass
 aluminium
Stainless Steel
 stainless steel
 polished steel
 solid brass
Targha VR
 stainless steel

Digital

-   
Targha
 white
 grey
 brass
 aluminium
Targha VR
 stainless steel
Stainless Steel
 stainless steel

Is the entry panel to be surface or flush?

- Surface Flush

Handsets and monitors:

Which style of handset/monitor do you require?

Audio

-   
Nova
 white
 charcoal grey
 brushed nickel
 gold
 black chrome
Lynea
 white
Exedra
 white

Video

-    
Nova
 white
 charcoal grey
 brushed nickel
 gold
 black chrome
Ophera
 white, orange, arctic blue (all 3 supplied as standard)
Exedra
 white
Lynea
 white

Will your handset/monitor be wall or table mounted?

- Wall Table

Do you require a button & timer for trades?

- Yes No

Do you require battery backup?

- Yes No

Access control:

Does the system require access control?
 If yes, what type of access control is required?
 Are the entry panels to incorporate the access control?
 In total how many readers are required?
 Do you need a vehicle entrance controlling?
 Do you need to automate a gate, or fit a bollard or barrier?
 Are there any particular features needed for this access control system? Please list

- Yes No
 Keypad Proximity access control Keypad & proximity access control
 Yes No

- Yes No

- Automated gate Barrier Automatic bollards Static bollards

Lock releases:

What type of lock release do you require?
 How many lock releases do you need?
 What type of door are they to be fitted to?

- Rim Mortice Magnetic

Please note that if you are unable to confirm the door type at this time, you may require an alternative quotation once the information becomes available.

Are there any other requirements not stated here? _____

Please fax back to BPT on 01442 244729.

BPT Entry Control Solutions, Unit 16, Sovereign Park, Cleveland Way, Hemel Hempstead, HP2 7DA
 t: 01442 230800 f: 01442 244729 e: sales@bpt.co.uk w: www.bpt.co.uk



the complete solution



entry control kits guide



AUDIO TARGHA ENTRY SYSTEMS KITS GUIDE

Targha aluminium audio entry panel and Lynea handset **VSET1N/HPYCUK**

One of the most successful audio entry kits on the market with a sleek 1 button, surface mount, aluminium Targha entry panel featuring a functional drip moulding to drain away water and an illuminated button together with the stylish Lynea YC/200UK handset with lock release and auxiliary button. The kit is complete with the A/200N control unit and PSU rated 150mA DC - 650mA AC, enough to power 3 handsets on the same call.



Targha aluminium audio entry panel and Lynea handset **VSET1N/HNA**

This kit combines the 1 button, surface mount, aluminium Targha entry panel with an integrated access control keypad (100 codes/2 relays) together with the stylish Lynea YC/200UK handset with lock release and auxiliary button. The kit is complete with the A/200N control unit and PSU rated 150mA DC - 650mA AC, enough to power 3 handsets on the same call.



Targha vandal resistant audio entry panel and Lynea handset **AKIT/ITARVR**

This kit combines the robust Targha vandal resistant entry panel with the stylish Lynea YC/200UK handset with lock release and auxiliary button. The kit is complete with the A/200N control unit and PSU rated 150mA DC - 650mA AC, enough to power 3 handsets on the same call.

Targha aluminium audio entry panel and Nova audio receiver **AKIT/ITARNOV**

This kit combines the 1 button, surface mount, aluminium Targha entry panel with the award-winning Nova audio receiver featuring an audio button, door lock release, secrecy of speech and auxiliary button. The kit is complete with the VA/200 control unit & PSU rated 60VA output 17.5DC 0.9A.

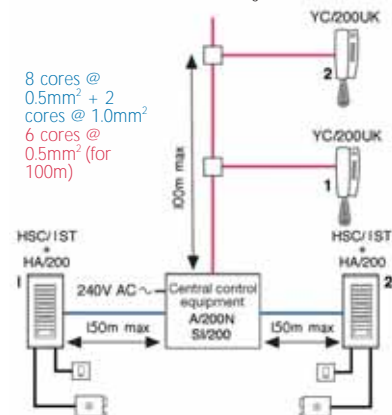


System 200 Audio Wiring Diagram

Diagram shows multiple entrances with single button to up to three handsets

All conductors = minimum of 0.5mm² CSA. n type = number of additional cores at 0.5mm² CSA. Equivalent to number of call buttons.

Contact BPT if cable distances are longer than shown.



Audio kit expansion options

For Each Additional Entrance (max 10 entrances)

SI/200 entrance selector (allows the lock release button to release the right door)	1 per extra entrance
HA/200 audio unit	1 per extra entrance
AS/200 power supply (required if more than 2 entrances are connected)	1 per 3 entrances
XTT12V-1A power supply (for coded access with multiple keypad entry panels from one A/200N PSU)	1 per extra keypad entrance
Select an entry panel:	
HSC/1ST one button surface mount audio entry panel	207h x 99w x 28d
HSC/1HNA one button surface mount audio entry panel with keypad	207h x 99w x 28d
HPC/1VR one button vandal resistant recessed audio entry panel**	198h x 90w x 51.5d*
**HTS/VR embedding box for Targha vandal resistant entry panels	1 per HPC/1VR

For Additional Handsets/Audio Receivers Called From One Button (in excess of 3 to a max 21)

AS/200 power supply	1 for each BC/200
BC/200 call booster	1 per 7 handsets

Select a handset/audio receiver:

YC/200UK handsets as required	
NOVA3PLBI audio receivers as required	59h x 96w x 49.8d*

* Embedding box dimensions

AUDIO VANDAL RESISTANT ENTRY SYSTEMS KITS GUIDE

Flush vandal resistant audio entry panel & Lynea handset **AKIT/1VRYC**

A robust kit combining an audio entry panel made from 12swg vandal resistant stainless steel with the stylish Lynea YC/200UK handset with lock release and auxiliary button. The kit is complete with the A/200N control unit and PSU rated 150mA DC - 650mA AC, enough to power 3 handsets on the same call. To surface mount, add VRSH/1



Flush vandal resistant audio DDA entry panel and Lynea handset **AKIT/1DDAYC**

A robust kit combining a DDA audio entry panel made from 12swg vandal resistant stainless steel with tactile illuminated button, braille characters, 'Door Open' and 'Speak Now' LED indicators together with the stylish Lynea YC/200UK handset with lock release and auxiliary button. The kit is complete with the A/200N control unit and PSU rated 150mA DC - 650mA AC, enough to power 3 handsets on the same call. To surface mount, add VRSH/300/1



Flush vandal resistant audio entry panel with proximity reader cut-out and Lynea handset **AKIT/1VRIMPYC**



A robust kit combining an audio entry panel made from 12swg vandal resistant stainless steel with a cut-out to accommodate a proximity access control reader (reader and controller not included) together with the stylish Lynea YC/200UK handset with lock release and auxiliary button. The kit is complete with the A/200N control unit and PSU rated 150mA DC - 650mA AC, enough to power 3 handsets on the same call. To surface mount, add VRSH/1

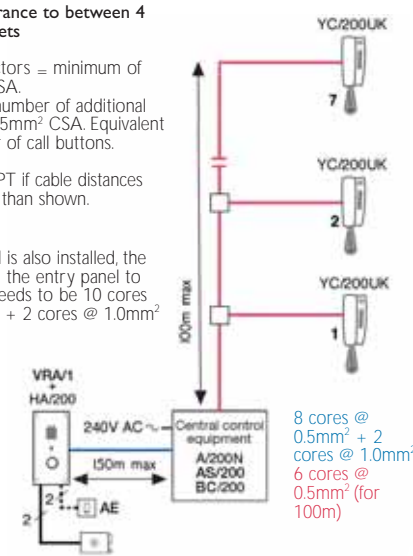
System 200 Audio Wiring Diagram

Single entrance to between 4 & 7 handsets

All conductors = minimum of 0.5mm² CSA. n type = number of additional cores at 0.5mm² CSA. Equivalent to number of call buttons.

Contact BPT if cable distances are longer than shown.

If a keypad is also installed, the cable from the entry panel to the PSU needs to be 10 cores @ 0.5mm² + 2 cores @ 1.0mm²



Flush vandal resistant audio entry panel with integrated access control keypad and Lynea handset **AKIT/1VRACYC**

A robust kit combining an audio entry panel made from 12swg vandal resistant stainless steel with an integrated access control keypad (100 codes/2 relays) together with the stylish Lynea YC/200UK handset with lock release and auxiliary button. The kit is complete with the A/200N control unit and PSU rated 150mA DC - 650mA AC, enough to power 3 handsets on the same call. To surface mount, add VRSH/2



Audio kit expansion options

For Each Additional Entrance (max 10 entrances)

SI/200 entrance selector	1 per extra entrance
HA/200 audio unit for use in standard vandal resistant panels	1 per extra entrance
AS/200 PSU (required if more than 2 entrances connected)	1 per 3 entrances
AZ/98DDA audio unit for DDA vandal resistant entry panels	1 per DDA entry panel
XTT12V-1A power supply (for coded access with multiple keypad entry panels from one A/200N PSU)	1 per extra keypad entrance
Select an entry panel:	
VRA/1 one button flush audio entry panel	205h x 104w x 35d*
VRAK/1 one button flush audio entry panel with keypad	305h x 104w x 35d*
VRAP/1 one button flush audio entry panel with prox cut-out	205h x 104w x 35d*
VRADDA/1 one button DDA flush audio entry panel	205h x 104w x 62.5d*

For Additional Handsets Called From One Button (in excess of 3 to a max 21)

AS/200 power supply	1 for each BC/200
BC/200 call booster	1 per 7 handsets

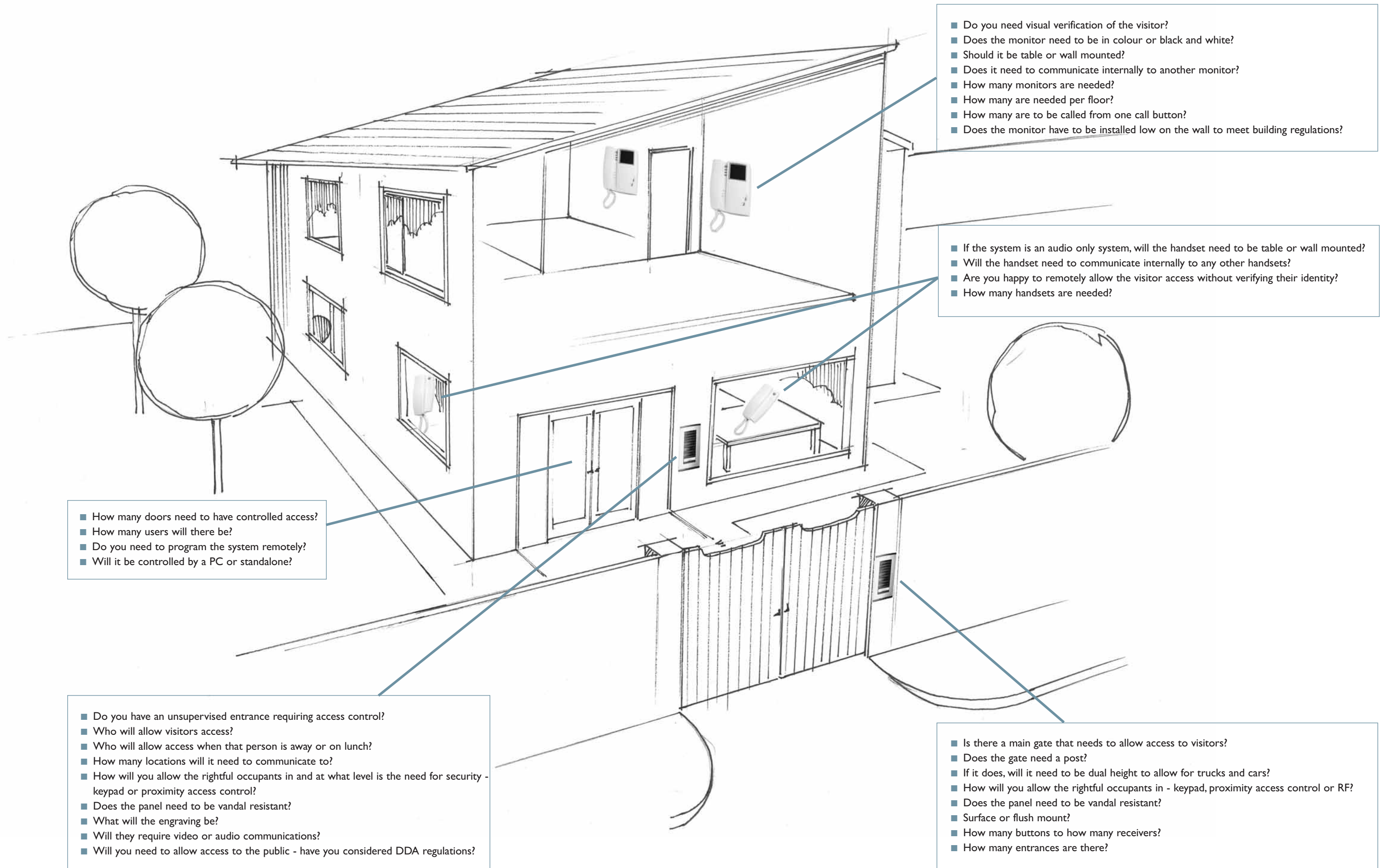
Select a handset:

YC/200UK handsets as required

* Back box dimensions



CONSIDERATIONS WHEN INSTALLING ENTRY CONTROL PRODUCTS



- Do you need visual verification of the visitor?
- Does the monitor need to be in colour or black and white?
- Should it be table or wall mounted?
- Does it need to communicate internally to another monitor?
- How many monitors are needed?
- How many are needed per floor?
- How many are to be called from one call button?
- Does the monitor have to be installed low on the wall to meet building regulations?

- If the system is an audio only system, will the handset need to be table or wall mounted?
- Will the handset need to communicate internally to any other handsets?
- Are you happy to remotely allow the visitor access without verifying their identity?
- How many handsets are needed?

- How many doors need to have controlled access?
- How many users will there be?
- Do you need to program the system remotely?
- Will it be controlled by a PC or standalone?

- Do you have an unsupervised entrance requiring access control?
- Who will allow visitors access?
- Who will allow access when that person is away or on lunch?
- How many locations will it need to communicate to?
- How will you allow the rightful occupants in and at what level is the need for security - keypad or proximity access control?
- Does the panel need to be vandal resistant?
- What will the engraving be?
- Will they require video or audio communications?
- Will you need to allow access to the public - have you considered DDA regulations?

- Is there a main gate that needs to allow access to visitors?
- Does the gate need a post?
- If it does, will it need to be dual height to allow for trucks and cars?
- How will you allow the rightful occupants in - keypad, proximity access control or RF?
- Does the panel need to be vandal resistant?
- Surface or flush mount?
- How many buttons to how many receivers?
- How many entrances are there?

VIDEO TARGHA ENTRY SYSTEMS KITS GUIDE

Targha aluminium video entry panel and Lynea black & white monitor

VSET/200YVF-1HSV

One of the most successful and cost-effective video entry kits on the market with a sleek 1 button, surface mount, aluminium Targha entry panel housing a black & white adjustable camera with infrared back lighting together with the latest Lynea black & white monitor which has a 4.5" screen and buttons to control the lock release, auxiliary buttons, contrast and brightness. The kit is complete with the VA/200 control unit & PSU rated 60VA output 17.5DC 0.9A. Also available with colour monitor - VSET200YVC-1/HPV



Targha aluminium video entry panel with Ophera monitor, XI (2 wire or CAT5)

OPHERAKIT/01

This kit gives a winning combination with 2 wire simplicity and the stylish aesthetics of the Ophera monitor and Targha entry panel. The 1 button, flush mount, greyhound grey aluminium Targha entry panel houses an adjustable colour camera and the new Ophera monitor comes with 3 front plates in White, Orange and Arctic Blue, an embedding box and intercom module. The kit is complete with the VA/301 control unit & PSU. Please note that this isn't a System 200 kit so please call for expansion details.



Targha aluminium video entry panel and Nova video monitor

VKIT/ITARNOV

This kit combines the 1 button, surface mount, aluminium Targha entry panel housing an adjustable colour camera together with the award-winning Nova video monitor featuring a 2" colour screen, a lock release, monitor live and 2 auxiliary buttons, brightness and contrast controls and an audio button. The kit is complete with the VA/200 control unit & PSU rated 60VA output 17.5DC 0.9A



Targha aluminium video entry panel with integrated access control keypad and Lynea black & white monitor

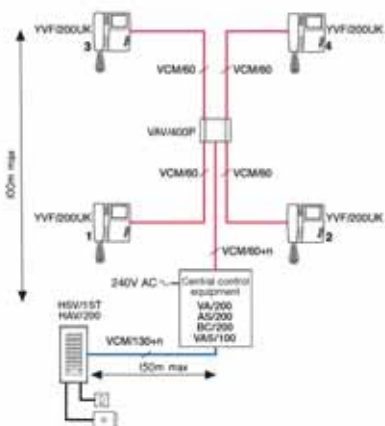
VKIT/IHNAYVF

This kit combines the 1 button, surface mount, aluminium Targha entry panel housing a black & white adjustable camera with an integrated access control keypad (100 codes/2 relays) together with the latest Lynea black & white monitor which has a 4.5" screen and buttons to control the lock release, auxiliary buttons, contrast and brightness. The kit is complete with the VA/200 control unit & PSU rated 60VA output 17.5DC 0.9A.



System 200 Video Wiring Diagram

Diagram shows single entrance with single button to 4 monitors



VCM/130 = RG59 coax + 4 cores @ 1mm² + 8 cores @ 0.5mm²
VCM/60 = RG59 coax + 2 cores @ 1mm² + 3 cores @ 0.5mm²

Contact BPT if cable distances are longer than shown.

Video kit expansion options

For Each Additional Entrance (max 10 entrances)

VSI/200 entrance selector (allows the lock release button to release the right door)	1 per extra entrance
HAV/200 black & white camera	1 per extra entry panel
HAVC/200 colour camera (if required)	1 per extra entry panel
VAS/100 power supply is required if more than 2 entrances connected	1 per 3 entrances

Select an entry panel:

HSV/1ST one button surface mount video entry panel	207h x 99w x 28d
HNA/102LR, HPP3HNA, HBP/GR access control panel & back box	207h x 99w x 28d

For Additional Monitors Called From One Button (from 2 to max 10 of the same monitor)

VAS/100 power supply	1 per 2 monitors
VAV/400 distributor/amplifier	1 per 4 monitors
BC/200 call booster	1 per 4-7 monitors
AS/200 power supply	1 per BC/200

Select a monitor:

YVF/200UK monitors as required	
YVFC/200UK monitors as required	
NOVA6PLGR video monitors as required	174.3w x 59h x 49.8d*

* Embedding box dimensions

VIDEO VANDAL RESISTANT ENTRY SYSTEMS KITS GUIDE

Flush vandal resistant video entry panel and Lynea black & white monitor

VKIT/IVRYVF

A robust kit combining a video entry panel made from 12swg vandal resistant stainless steel with the latest Lynea black & white monitor which has a 4.5" screen and buttons to control the lock release, auxiliary buttons, contrast and brightness. The kit is complete with the VA/200 control unit & PSU rated 60VA output 17.5DC 0.9A. To surface mount, add VRSH/1



Flush vandal resistant DDA video entry panel and Lynea black & white monitor

VKIT/IDDAYVF

A robust kit combining a video DDA entry panel made from 12swg vandal resistant stainless steel with tactile illuminated button, braille characters, 'Door Open' and 'Speak Now' LED indicators together with the latest Lynea black & white monitor which has a 4.5" screen and buttons to control the lock release, auxiliary buttons, contrast and brightness. The kit is complete with the VA/200 control unit & PSU rated 60VA output 17.5DC 0.9A. To surface mount, add VRSH/300/2



Flush vandal resistant video entry panel with proximity reader cut-out and Lynea black & white monitor

VKIT/IVRIMPYVF

A robust kit combining a video entry panel made from 12swg vandal resistant stainless steel with a cut-out to accommodate a proximity access control reader (reader and controller not included) together with the latest Lynea black & white monitor which has a 4.5" screen and buttons to control the lock release, auxiliary buttons, contrast and brightness. The kit is complete with the VA/200 control unit & PSU rated 60VA output 17.5DC 0.9A. To surface mount, add VRSH/2



Flush vandal resistant video entry panel with integrated access control keypad and Lynea black & white monitor

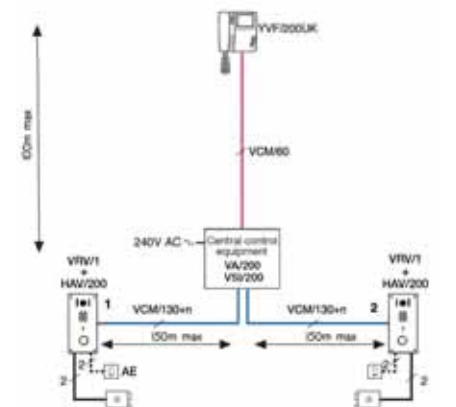
VKIT/IVRACYVF

A robust kit combining a video entry panel made from 12swg vandal resistant stainless steel with an integrated access control keypad (100 codes/2 relays) together with the latest Lynea black & white monitor which has a 4.5" screen and buttons to control the lock release, auxiliary buttons, contrast and brightness. The kit is complete with the VA/200 control unit & PSU rated 60VA output 17.5DC 0.9A. To surface mount, add VRSH/2



System 200 Video Wiring Diagram

Diagram shows multiple entrances with single button to single monitor



VCM/130 = RG59 coax + 4 cores @ 1mm² + 8 cores @ 0.5mm²

VCM/60 = RG59 coax + 2 cores @ 1mm² + 3 cores @ 0.5mm²

Contact BPT if cable distances are longer than shown.

Video kit expansion options

For Each Additional Entrance (max 10 entrances)

VSI/200 entrance selector (allows the lock release button to release the right door)	1 per extra entrance
HAV/200 black & white camera for standard vandal resistant panels	1 per extra entry panel
HAVC/200 colour camera (if required) for std vandal resistant panels	1 per extra entry panel
MVT/100 black & white camera for DDA panels only	1 per extra DDA entry panel
VAS/100 power supply (required if more than 2 entrances connected)	1 per 3 entrances

Select an entry panel:

VRV/1 one button flush video entry panel	205h x 104w x 35d*
VRVK/1 one button flush video entry panel with keypad	305h x 104w x 35d*
VRVP/1 one button flush video entry panel with prox cut-out	305h x 104w x 35d*
VRVDDA/1 one button DDA flush video entry panel	305h x 104w x 62.5d*

For Additional Monitors Called From One Button (from 2 to max 10 of the same monitor)

VAS/100 power supply	1 per 2 monitors
VAV/400 distributor/amplifier	1 per 4 monitors
BC/200 call booster	1 per 4-7 monitors
AS/200 power supply	1 per BC/200

Select a monitor:

YVF/200UK monitors as required	
* Back box dimensions	

