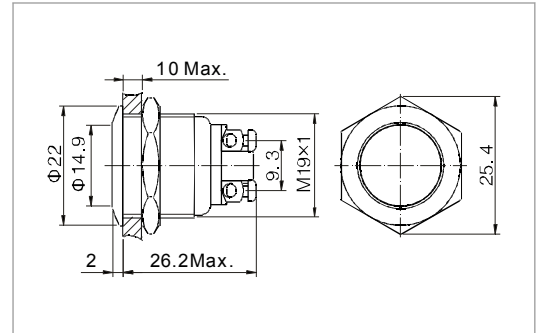


Anti-vandal push button


- ⊙ Φ 19mm diameter
- ⊙ Switch Rating: 2A/36VDC
- ⊙ Contact Configuration: 1NO

- ⊙ Operation Type: Momentary
- ⊙ The Front Shape: Flat Round
- ⊙ The crust material: Stainless Steel/
Brass(Nickel plated, Gold plated)
- ⊙ IP Degree: Ip65



Specification		AV/T19W	
The Front Shape		Flat Round	
Terminal Type		Screw Terminals	
Switching		No.1	
Max.Switch Rating		2A/36VDC	
Contact Resistance		$\leq 50\text{m}\Omega$	
Insulation Resistance		$\geq 1000\text{M}\Omega$	
Dielectric Intensity		2000VAC	
Operating Temp		- 20 ~ +55	
Mechanical life		1,000,000cycles	
Electrical life		200,000cycles	
Panel Thickness		1 10mm	
Torque		5 14Nm	
Operation Pressure		About 4N	
Operation Distance		About 1.8mm	
IP Degree		IP65	
Material	Contact	Silver Alloy	
	Button	Stainless Steel/Brass(Nickel plated, Gold plated)	
	Body	Stainless Steel/Brass(Nickel plated, Gold plated)	
	Base	PBT	
	RoHS	Made to order	