

APROLI 280 BATT GATE OPERATOR

Technical specifications

ELECTRIC MOTOR

Power output	0.18 KW (0.25 HP)
Supply voltage / Frequency	230 V - 50 Hz
Current absorption	1.2 A
Power absorption	250 W
Capacitor	12.5 µF
Motor rotation speed	1 350 rpm
Intermittent service	S3

PUMP UNIT

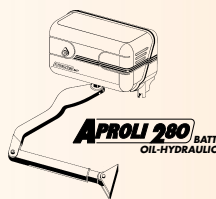
Pump flow rate - P3	0.85 l/min.
Average working pressure	1 MPa (10 bars)
Pump maximum pressure	3 MPa (30 bars)
Working temperature	-20°C +80°C
Opening time	23 s
Maximum rated torque	196.2 Nm
Type of oil	A 15 FADINI by AGIP
Shaft max. rotation	205°
Static weight of operator	11 kg
Protection standard	IP 555
Duty cycle	23 sec. Opening - 30 sec. Dwell - 23 sec. Closing
Time of one complete cycle	76 s
No. of complete cycles: Open - Dwell - Close	47/h
No. of cycles a year, 8 hours a day	137'000

AVAILABLE OPTIONS

- Non hydraulic locking.
- Hydraulic locking.
- With flow regulator.

WARNINGS

- Keep to the specifications included in this brochure; make sure that the specifications on the motor sticker are suitable for your mains supply.
- Dispose properly of packaging stuff such as cardboard, nylon, polystyrene etc. through specializing companies.
- Should the operator be removed for maintenance, never cut the cables but remove them from the terminal board in the junction box by first unscrewing the respective terminal screws.
- Switch off the mains switch before opening the junction box where the cables from APROLI 280 BATT are terminated.
- All the system must be properly earthed through the provided cable that is yellow/green in colour and properly marked with the earth symbol.
- It is recommended to read the regulations, suggestions and remarks quoted in our "Warnings" booklet.
- Should APROLI 280 BATT be removed for maintenance or service, tighten the air bleed screw to prevent oil from coming out during transport.



Distributor's box

The manufacturers reserve the right to change the products without any previous notice

Accessories



ELPRO 13 CEI
control box



ASTRO 43/2 R
radio receiver



SECH 15
keyswitch



LAPI 2 - lamp with
flashing light



A43
rod aerial



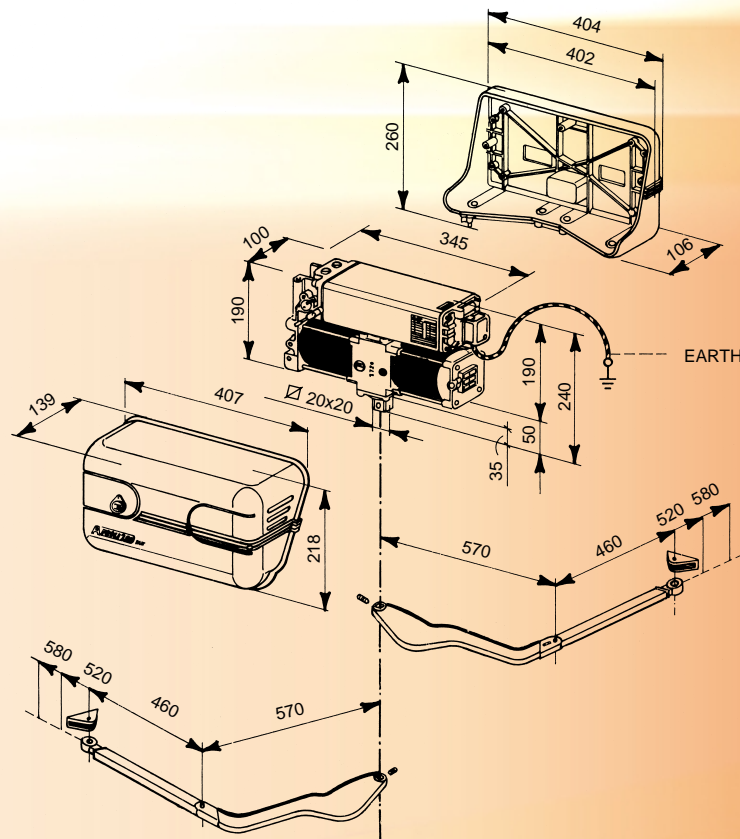
DIFO 33
pair of photocells



PULIN 3 - push buttons
flush mount



ASTRO 43/2 TR
transmitter



EUROPEAN MARK CERTIFYING CONFORMITY TO THE ESSENTIAL REQUIREMENTS OF THE STANDARDS 98/37 EC

- DECLARATION OF CONFORMITY
- GENERAL WARNINGS
- UNI 8612 STANDARDS
- CEI EN 60204-1 STANDARDS
- WARRANTY CERTIFICATE ON THE CUSTOMER'S REQUEST

The "CE" mark certifies that the operator conforms to the essential requirements of the European Directive art. 10 EEC 73/23, in relation to the manufacturer's declaration for the supplied items, in compliance with the body of the regulations ISO 9000-UNI EN 29000. Automation in conformity to UNI 8612 safety standards. The growth of MECCANICA FADINI has always been based on the development of guaranteed products thanks to our "TOTAL QUALITY CONTROL" system which ensures constant quality standards, updated knowledge of the European Standards and compliance with their requirements, in view of an ever increasing process of improvement.

APROLI 280 BATT

- Cranked arm operator
- Oil-hydraulic
- For large pillars



FADINI
the gate opener



AUTOMATIC GATE MANUFACTURERS

Via Mantova, 177/A - 37053 Cerea (Verona) Italy - Tel. 0442 330422 r.a. - Fax 0442 331054 - e-mail: info@fadini.net - www.fadini.net

Gate operator with anti-crush articulated arm

APROLI 280 BATT gate operator has been designed to suit applications where large pillars are involved and the gates can hang in any required position. The distance between the gate and the motor is taken up by an articulated arm that can be adjusted on site during installation. The anti-crush design ensures maximum safety for people during operations.

Aprili 280 BATT is made up of a motor pump and a jack coupled together to make a dual assembly, ie. oil-hydraulic and mechanical, performing as one unit, very compact in size. The driving force in open and close operations is controlled by safety pressure valves, which ensure smooth, anti-crush movements of the equipment in full respect of safety and security.

The hydraulic jack is made of pressure cast aluminium; all the parts that are required to generate and transmit semi-rotary motion are made of treated steel to ensure long lasting performance. The rotary motion is activated by pressurized oil, through an electric motor and a steel "lobe" pump, which transmits the motion to the jack from right to left and from left to right.

Aprili 280 BATT has a stylish cover, very pleasing to the eye. It is fitted with a small door that has a custom-toothed key and allows the release lever to be activated for manual operation of the gates in events like power failure. After power has been restored, the lever is to be brought back to its locking condition.

Aprili 280 BATT can be operated through a control box that incorporates the electronics of the system; it is very reliable and allows all the required operations to be performed at a distance by a remote control radio set, totally personalized through an encoding system, a keyswitch with custom-made key,

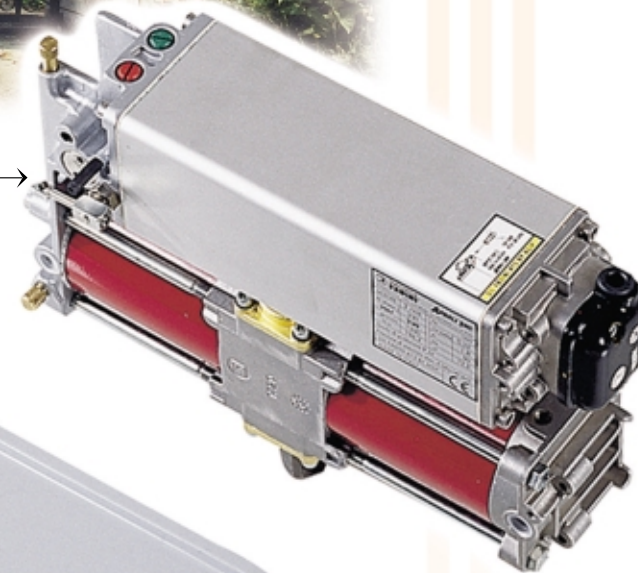


Gate stop in closed position

Electric motor hydraulic jack assembly



Fixing bracket



Cover

or a digital keypad; for the safety of people and properties the system can be completed with photocells, and a flashing lamp can provide a perfectly visible warning signal. Aprili 280 BATT has been designed to provide ease of installation both during fixing to gate posts and wiring. Each Fadini operator is delivered with an enclosed installation manual providing clear and precise instructions and diagrams of the fixing operations step by step.

Totally developed in the workshops of Meccanica Fadini, a company with more than thirty years' experience in the field of electro-hydraulic and electro-mechanical gate automation, to ensure highly technological, reliable products to the end users.



Picture above:
Right-hand articulated arm



Picture below:
Post with Difo 33 photocells light projector