

ANSI-STRIKE

Adjustable Fail-Safe / Fail-Secure ANSI Electric Strike

User manual

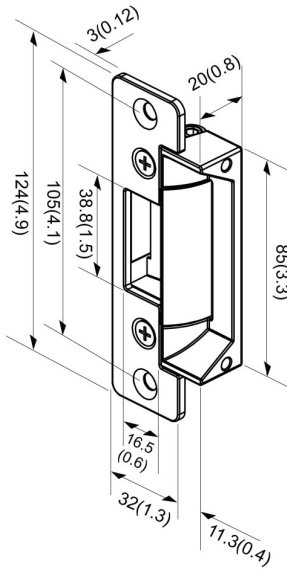
Features

1. The ANSI series are ANSI sized electric door strikes.
2. Suitable for 15mm latches.
3. ANSI strikes can be installed on wooden or metal frames and doors.
4. Electric door strike operation:
 - Power to Lock Fail-Safe (Applying power will LOCK)
 - Power to Open Fail-Secure (Applying power will UNLOCK)
5. Use with mortise type mechanical lock latch lock

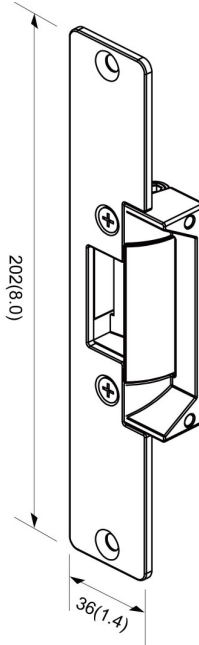
Specifications

Voltage	DC 12V / DC 24V $\pm 10\%$
Current	230mA / 190mA $\pm 10\%$
Endurance	1,000,000 cycles. 1,000,000
Keeper width	38.8mm
Holding force	1,500 Lbs / 680 Kgs
Material	Plate: Aluminum Lock body: Zinc alloy Latches: Stainless steel
Wiring	Red (+) / Red (-)
Net weight	165g $\pm 1\%$

Dimensions: Unit (mm / inch)

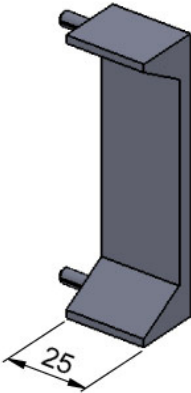


ANSI-XX-S



ANSI-XX-L

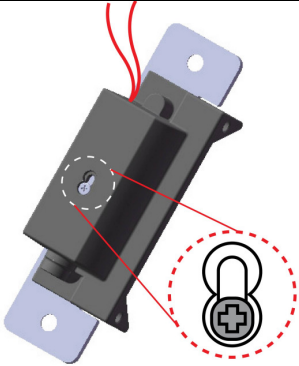
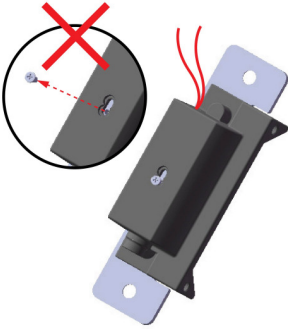
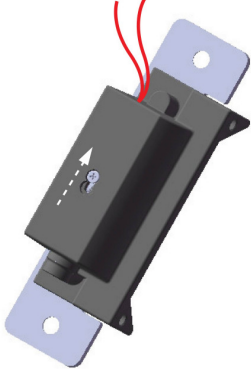
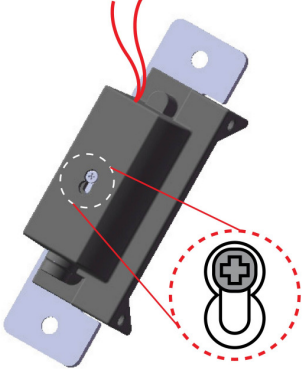
Optional accessories



- ANSI-LIP-25** 25 mm extension lip
- ANSI-LIP-50** 50 mm extension lip

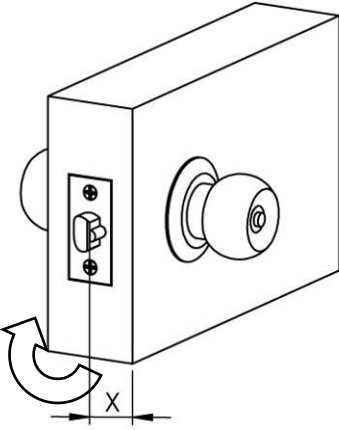
Note : Please install extension lip to hide a cut away on metal or timber frames

How to change operation mode (Fail Safe / Fail Secure)

Step 1	Step 2
 <p data-bbox="87 699 396 751">Power to Open (Fail-Secure) • Default Value</p>	 <p data-bbox="580 687 1005 767">Loosen the screw if you want to change operation mode. (Please DO NOT remove the screw)</p>
Step 3	Step 4
 <p data-bbox="87 1337 524 1390">Slide the screw along, then screw it back in.</p>	 <p data-bbox="580 1337 1001 1362">Mode is now Power to Lock. (Fail-Safe)</p>

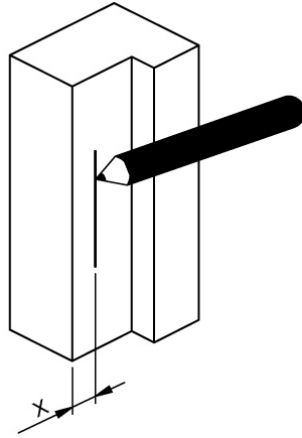
Installation

Step 1



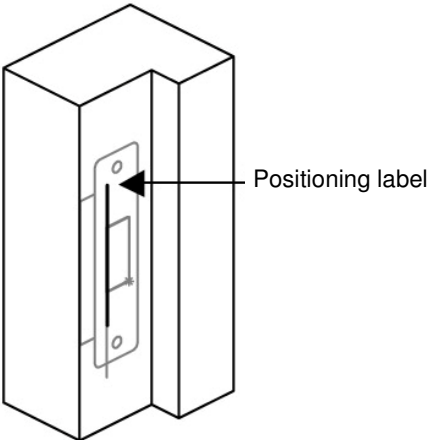
Measure the latch position on the door.

Step 2



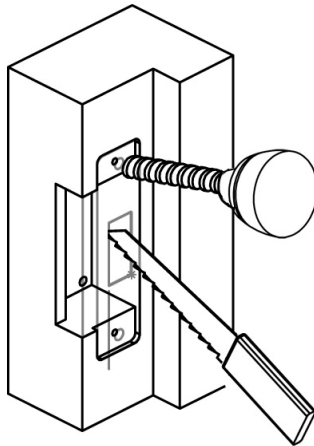
Mark the latch position on the door frame.

Step 3



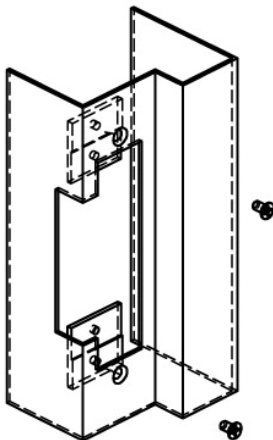
Stick the positioning label on the door frame and mark the line.

Step 4



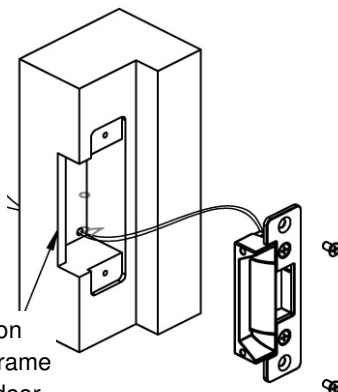
Cut and drill the hole according to the positioning label.

Step 5



Please install two extension brackets if you want to mount on the metal door frames.

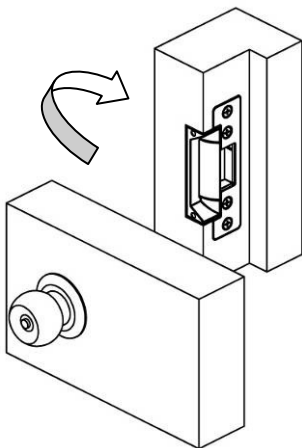
Step 6



The hole on the door frame toward indoor.

Install the strike and test

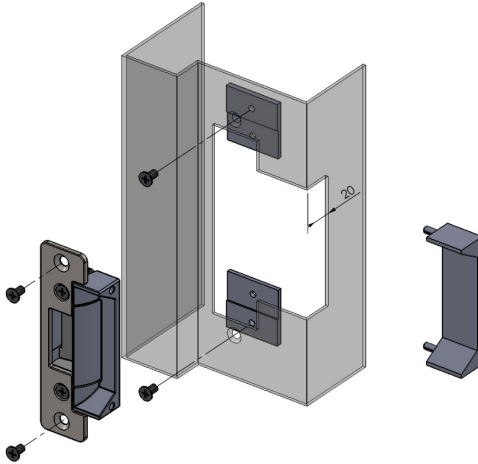
Step 7



Installation is complete.

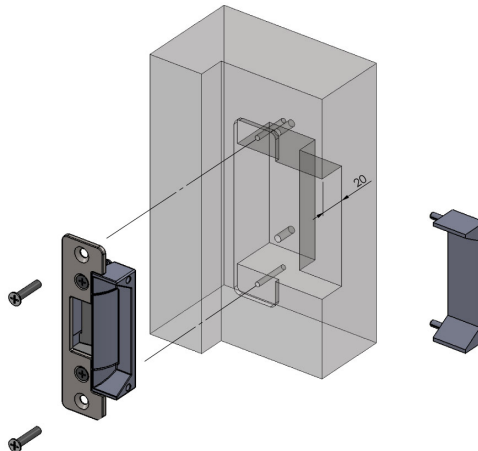
Extension lip mounted on the metal frame

- ANSI-12-S
- ANSI-24-S



Extension lip mounted on the wooden frame

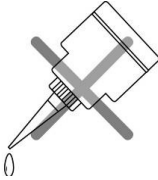
- ANSI-12-L
- ANSI-24-L



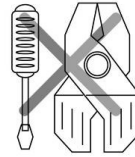
Packing list

	Accessories	Quantity
1	Main body	1
2	Self tapping screws	2
3	Positioning label	1
4	User manual	1

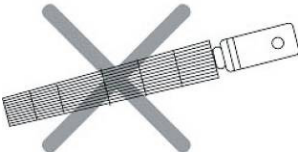
Notice



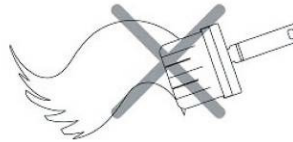
Please don't drop any engine oil or lubricant oil on the strike.



Unauthorized repair or modification on product is not included in the warranty.



The filing dust may clog the lock and affect the operation.



No painting on the strike and faceplate, that may affect operation and function of lock.

Ordering information

ANSI-12-S	ANSI size electric strike, front plate: 124x32mm, stainless steel, 12V
ANSI-12-L	ANSI size electric strike, front plate: 202x36mm, stainless steel, 12V
ANSI-24-S	ANSI size electric strike, front plate: 124x32mm, stainless steel, 24V
ANSI-24-L	ANSI size electric strike, front plate: 202x36mm, stainless steel, 24V

Note : Specifications subject to change without notice for further modification.