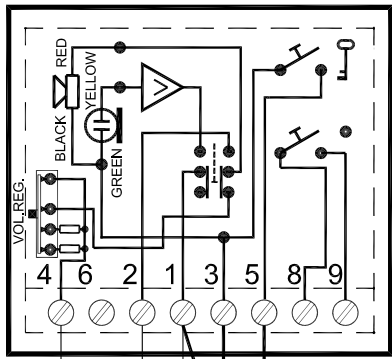


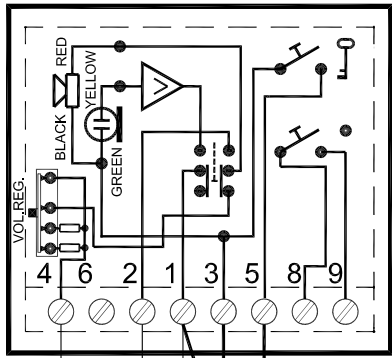
Art.3111



3 2 1

2

Art.3111

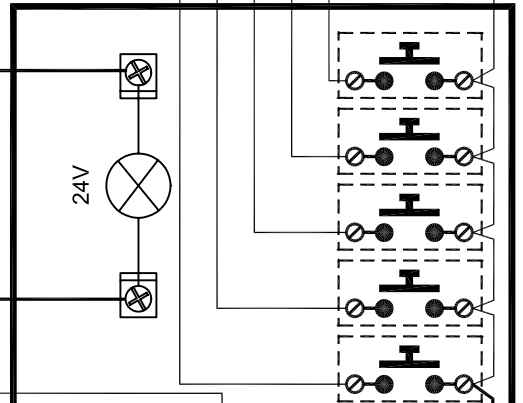


1

4_n..... 4₃

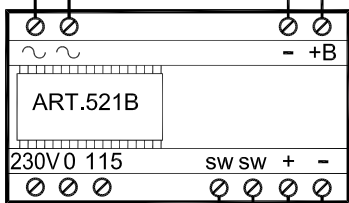
C

Art.845..



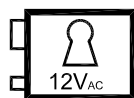
2 + 1 - S₁ S P₂ P₁ C₁ C

Art.837M-2..



(Optional)

SE



AM000001