

EN

TECHNICAL
MANUAL



BUILDING KIT

Building Kit audio/video system

 **Comelit**[®]
Passion. Technology. Design.

Warning

Intended use

This Comelit product was designed for use in the creation of audio and video communication systems in residential, commercial or industrial settings and in public buildings or buildings used by the public.

Installation

All activities connected to the installation of Comelit products must be carried out by qualified technical personnel, with careful observation of the indications provided in the Manuals / Instruction sheets supplied with those products.

Wires

Cut off the power supply before carrying out any maintenance procedures.

Use wires with a cross-section suited to the distances involved, observing the instructions provided in the system manual.

We advise against running the system wires through the same duct as the power cables (230V or higher).

Safe usage

To ensure Comelit products are used safely:

- carefully observe the indications provided in the Manuals / Instruction sheets
- make sure the system created using Comelit products has not been tampered with / damaged.

Maintenance

Comelit products do not require maintenance aside from routine cleaning, which should be carried out in accordance with the indications provided in the Manuals / Instruction sheets.

Any repair work must be carried out

- for the products themselves, exclusively by **Comelit Group S.p.A.**,
- for systems, by qualified technical personnel.

Disclaimer

Comelit Group S.p.A. does not assume any responsibility for

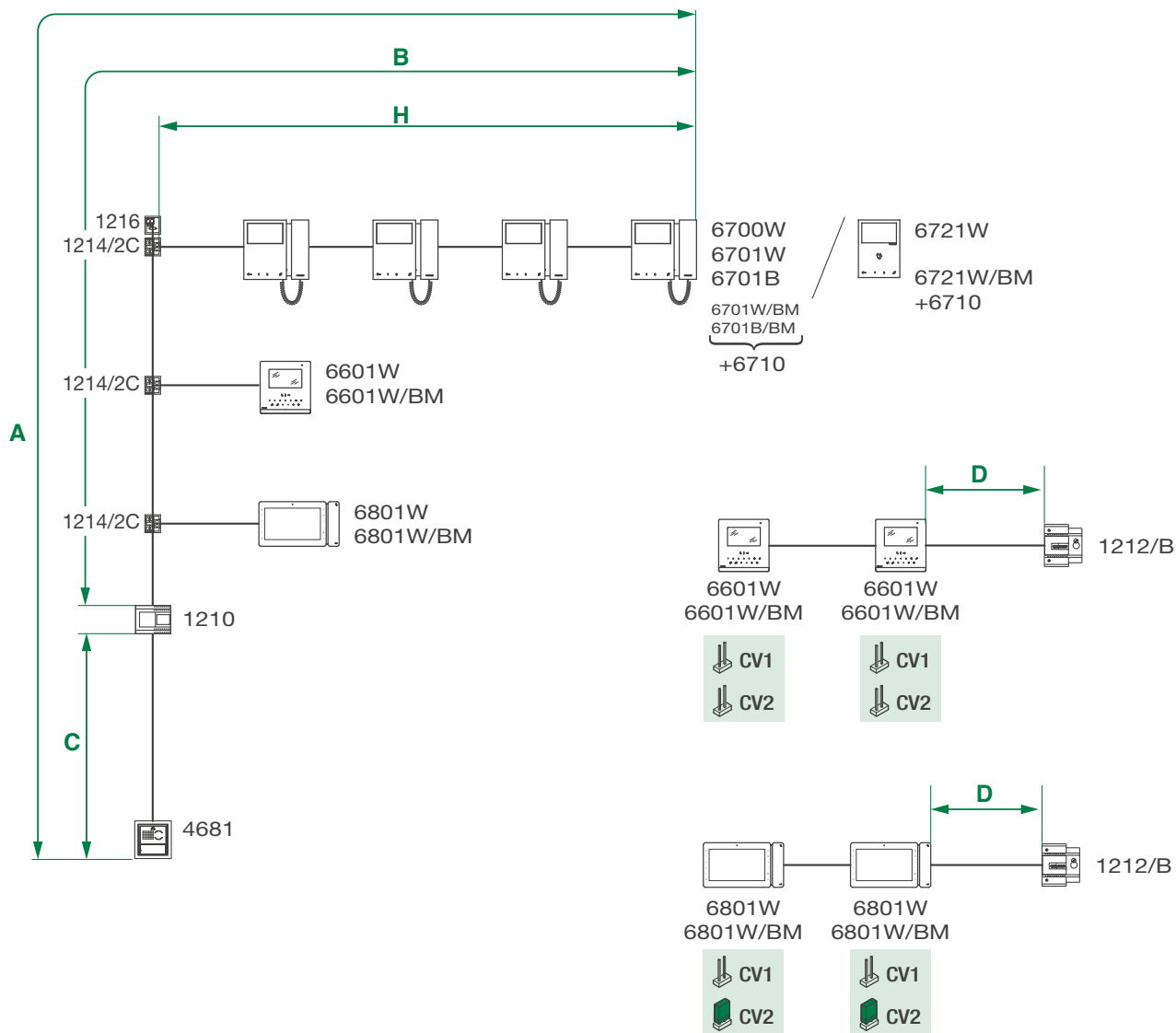
- any usage other than the intended use
- non-observance of the indications and warnings contained in this Manual / Instruction sheet.

Comelit Group S.p.A. nonetheless reserves the right to change the information provided in this Manual / Instruction sheet at any time and without prior notice.

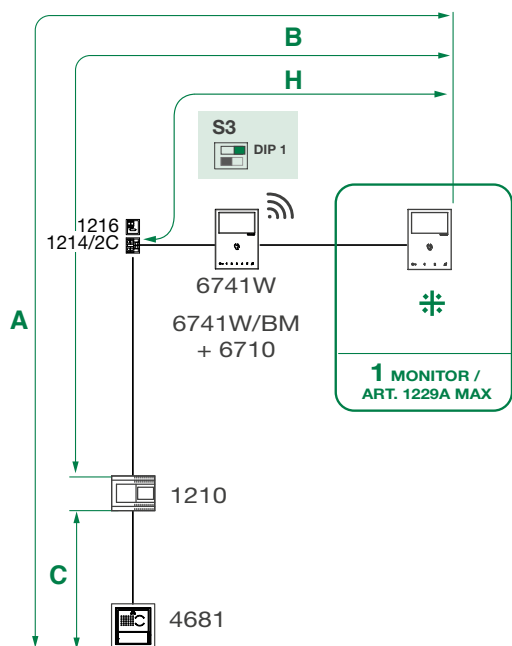
Table of contents

Warning	2	System with video distribution unit, 2 single-family units and a main external unit.....	20
System functions.....	3	Use of actuator relay Art. 1256	22
Distances valid for articles: 6700W, 6701W(/BM), 6701B(/BM), 6721W(/BM), 6801W(/BM), 6741W(/BM).....	4	Use of remote camera module Art. 1409	23
Distances valid for Art. 6601W(/BM).....	4	Use of additional bell Art. 1229A.....	24
Distances with video distributor 4840	5		
Maximum system expansion.....	6		
Maximum expansion per apartment.....	6		
Example of maximum expansion per apartment	7		
Wiring diagrams.....	8		
System with a single riser	8		
Variant with Digital External Unit.....	9		
System with a single riser with two entrances, one of which is audio ..	10		
System with 2 main entrances in TOP mode and 3 risers, 2 of which are equipped with a secondary external unit	11		
System with a 2 risers, one main entrance and n secondary entrances..	14		
System with n single-family units and 1 main external unit (connection in cascade)	15		
System with n single-family units and 1 main external unit (branch connection)	16		
System with n single-family units and a main external unit in TOP mode (connection in cascade).....	18		
System with video distribution unit, 2 risers and 1 external unit.....	19		

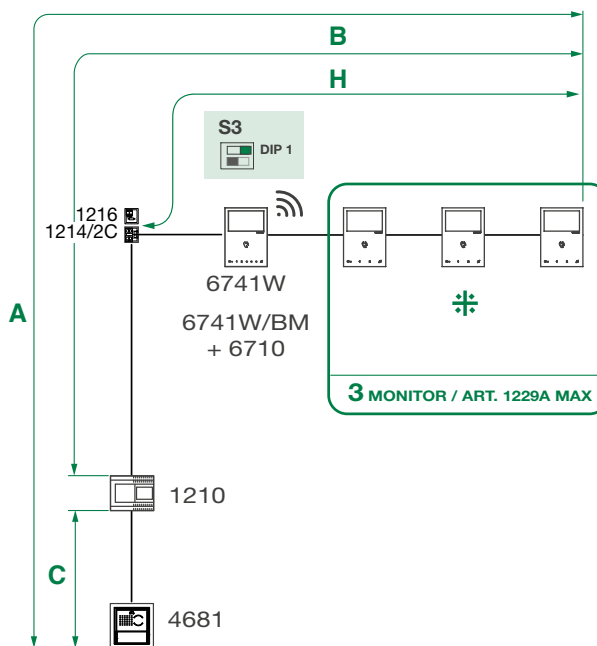
System functions



KIT MODE


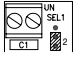

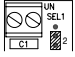

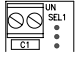

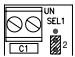
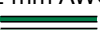
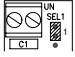

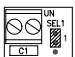
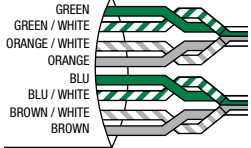
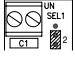


BUILDING MODE:


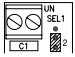

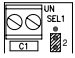

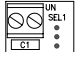

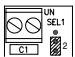

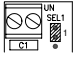

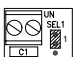
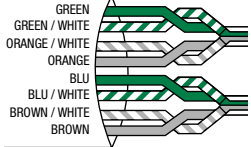



⌘ Compatible secondary monitors: 6700W, 6701W (/BM), 6701B (/BM), 6721W (/BM), 6801W (/BM)

Distances valid for articles: 6700W, 6701W(/BM), 6701B(/BM), 6721W(/BM), 6801W(/BM), 6741W(/BM)

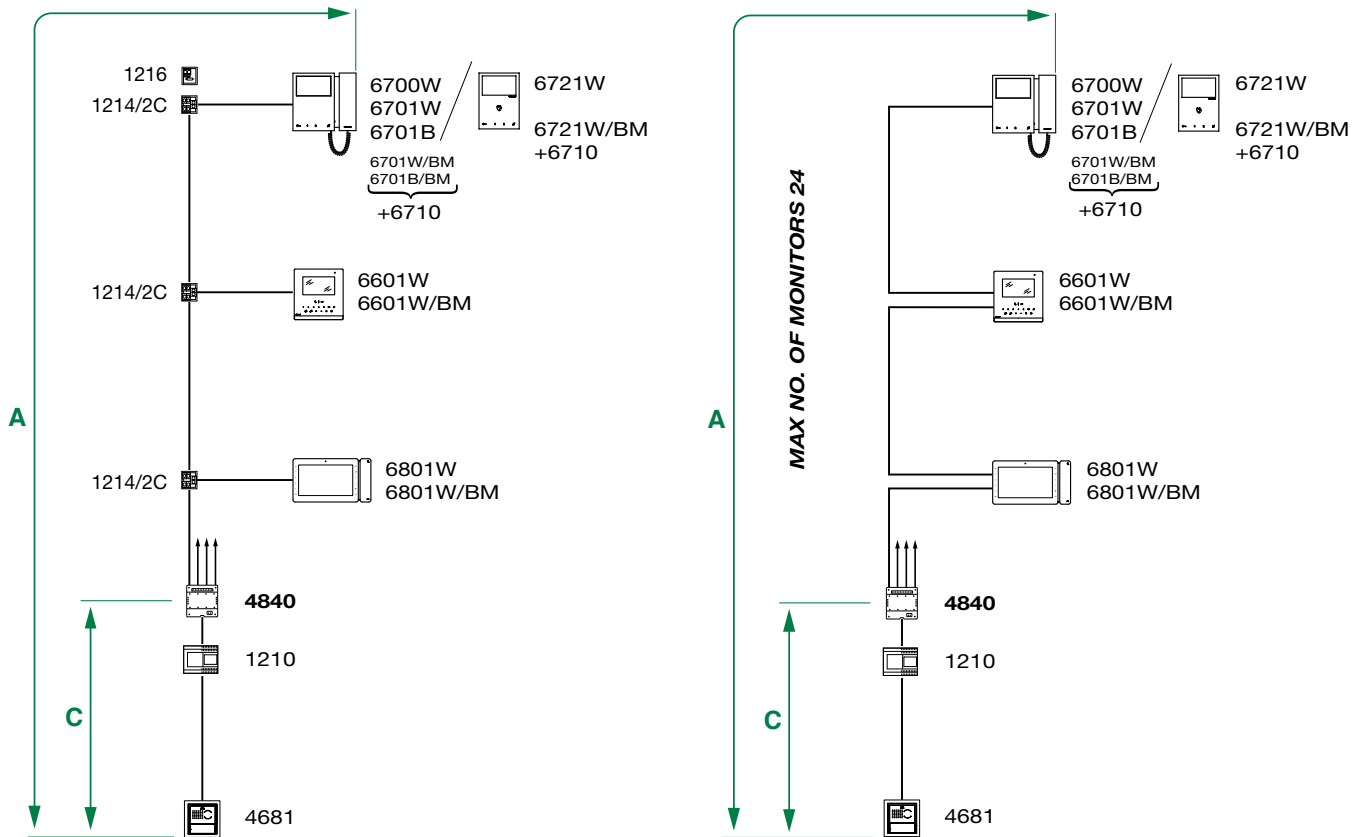
	A MAX	B MAX	C MAX	H MAX	D MAX	Art. 1216
Comelit Art. 4577/4579 1 mm ² (Ø 1,2 mm AWG 17) 	260 m (850 feet)	130 m (425 feet)	130 m (425 feet)	50 m (164 feet)	100 m (328 feet)	
UTP5 cat. 5 0,2 mm ² (Ø 0,5 mm AWG 24) 	80 m (260 feet)	40 m (130 feet)	40 m (130 feet)	30 m (98 feet)	/	
0,28 mm ² (Ø 0,6 mm AWG 23) 	100 m (328 feet)	50 m (164 feet)	50 m (164 feet)	30 m (98 feet)	10 m (32,5 feet)	
0,5 mm ² (Ø 0,8 mm AWG 20) 	140 m (460 feet)	70 m (230 feet)	70 m (230 feet)	30 m (98 feet)	25 m (82 feet)	
1 mm ² (Ø 1,2 mm AWG 17) 	200 m (656 feet)	100 m (328 feet)	100 m (328 feet)	40 m (130 feet)	50 m (164 feet)	
1,5 mm ² (Ø 1,4 mm AWG 15) 	80 m (260 feet)	40 m (130 feet)	40 m (130 feet)	30 m (98 feet)	100 m (328 feet)	
UTP5 cat. 5 0,2 mm ² (Ø 0,5 mm AWG 24) MULTI PAIR CABLE ⚡ 	260 m (850 feet)	130 m (425 feet)	130 m (425 feet)	50 m (164 feet)	/	

Distances valid for Art. 6601W(/BM)

	A MAX	B MAX	C MAX	H MAX	D MAX	Art. 1216
Comelit Art. 4577/4579 1 mm ² (Ø 1,2 mm AWG 17) 	160 m (525 feet)	70 m (230 feet)	90 m (295 feet)	30 m (98 feet)	100 m (328 feet)	
UTP5 cat. 5 0,2 mm ² (Ø 0,5 mm AWG 24) 	80 m (263 feet)	40 m (130 feet)	40 m (130 feet)	30 m (98 feet)	/	
0,28 mm ² (Ø 0,6 mm AWG 23) 	90 m (295 feet)	40 m (130 feet)	50 m (164 feet)	30 m (98 feet)	10 m (32,5 feet)	
0,5 mm ² (Ø 0,8 mm AWG 20) 	110 m (360 feet)	50 m (164 feet)	60 m (197 feet)	30 m (98 feet)	25 m (82 feet)	
1 mm ² (Ø 1,2 mm AWG 17) 	140 m (460 feet)	70 m (230 feet)	70 m (230 feet)	30 m (98 feet)	50 m (164 feet)	
1,5 mm ² (Ø 1,4 mm AWG 15) 	60 m (197 feet)	30 m (98 feet)	30 m (98 feet)	30 m (98 feet)	100 m (328 feet)	
UTP5 cat. 5 0,2 mm ² (Ø 0,5 mm AWG 24) MULTI PAIR CABLE ⚡ 	240 m (786 feet)	120 m (393 feet)	120 m (393 feet)	60 m (197 feet)	/	

⚡ UTP cable with multi-cable connection: FOLLOW THE COLOURS SHOWN IN THE DIAGRAM!

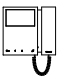




Distances with video distributor 4840



	A MAX			C MAX			Art. 1216
	6700W, 6701W(/BM), 6701B(/BM) 6721W(/BM) MINI	6801W(/BM) MAXI	6601W(/BM) ICONA	6700W, 6701W(/BM), 6701B(/BM) 6721W(/BM) MINI	6801W(/BM) MAXI	6601W(/BM) ICONA	
Comelit Art. 4577/4579 1 mm ² (Ø 1,2 mm AWG 17)	160 m (525 feet)	90 m (295 feet)	90 m (295 feet)	80 m (263 feet)	40 m (131 feet)	40 m (131 feet)	
UTP5 cat. 5 0,2 mm ² (Ø 0,5 mm AWG 24)	70 m (230 feet)	50 m (164 feet)	50 m (164 feet)	40 m (131 feet)	25 m (82 feet)	25 m (82 feet)	
0,28 mm ² (Ø 0,6 mm AWG 23)	70 m (230 feet)	50 m (164 feet)	50 m (164 feet)	40 m (131 feet)	25 m (82 feet)	25 m (82 feet)	
0,5 mm ² (Ø 0,8 mm AWG 20)	70 m (230 feet)	50 m (164 feet)	50 m (164 feet)	40 m (131 feet)	25 m (82 feet)	25 m (82 feet)	
1 mm ² (Ø 1,2 mm AWG 17)	100 m (328 feet)	60 m (197 feet)	60 m (197 feet)	50 m (164 feet)	30 m (98 feet)	30 m (98 feet)	
1,5 mm ² (Ø 1,4 mm AWG 15)	50 m (164 feet)	40 m (131 feet)	30 m (98 feet)	25 m (82 feet)	25 m (82 feet)	15 (49 feet)	
UTP5 cat. 5 0,2 mm ² (Ø 0,5 mm AWG 24) MULTI PAIR CABLE ‡	130 m (426 feet)	100 m (328 feet)	100 m (328 feet)	65 m (213 feet)	50 m (164 feet)	50 m (164 feet)	

‡ UTP cable with multi-cable connection: FOLLOW THE COLOURS SHOWN IN THE DIAGRAM!

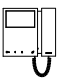


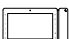

Maximum system expansion

Devices	 6700W 6701W(/BM) 6701B(/BM)	 6721W(/BM)	 6601W(/BM)	 6801W(/BM)	 6741W(/BM)
Maximum number of internal units that can be powered from Art.1210	100	100	90	100	100* (BUILDING Mode) 10* (KIT Mode)
Call repetition devices that can be used	1229A	1229A	1229A 1229 #	1229A 1229 #	1229A

* For further information, see the manual of Art. 6741W

For installation information and limits, consult the relative manual.

Maximum expansion per apartment

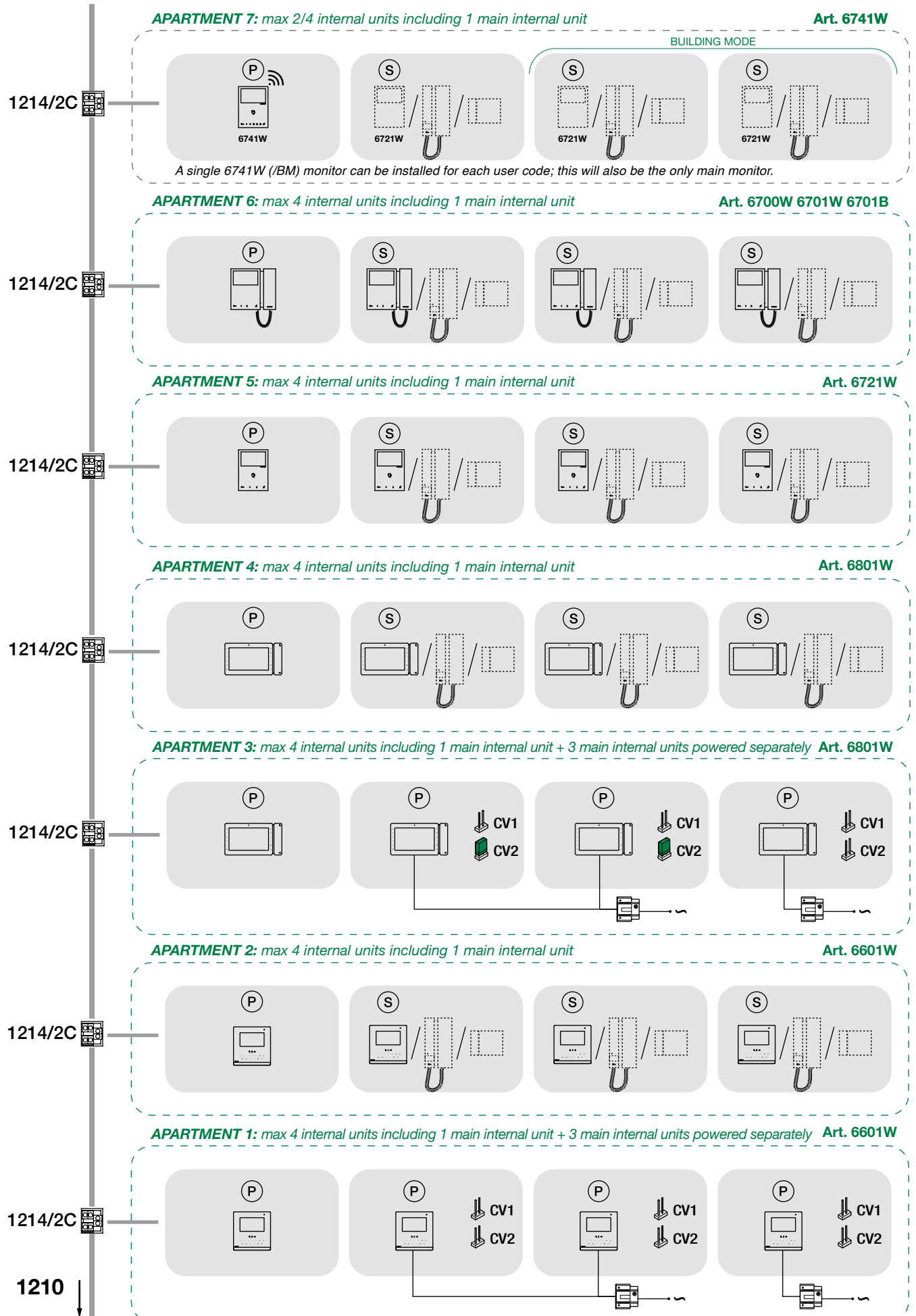
Devices	 6700W 6701W(/BM) 6701B(/BM)	 6721W(/BM)	 6601W(/BM)	 6801W(/BM)	 6741W(/BM)
Maximum number of internal units (including call repetition devices) with the same user code	4	4	4	4	1*
Maximum number of main internal units powered from the riser	1	1	1	1	1
Maximum number of main units that can be powered by Art. 1212/B	/	/	3	3	/

* A single **6741W(/BM)** monitor can be installed for each user code; this will also be the only main monitor.

In Building mode: up to 3 secondary monitors can be added (6700W, 6701W (/BM), 6701B (/BM), 6721W (/BM), 6801W (/BM)).

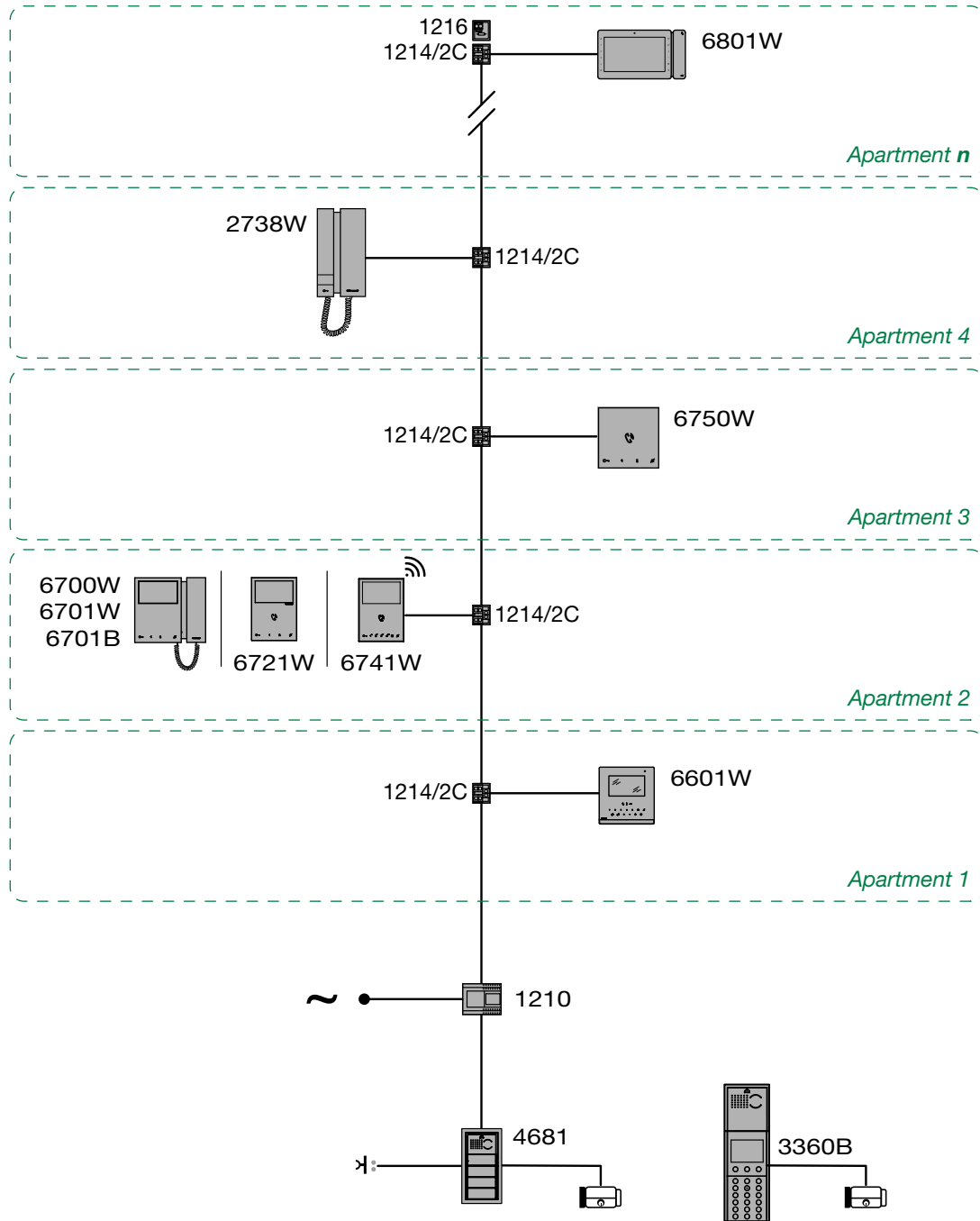
In Kit mode: only 1 secondary monitor can be added (6700W, 6701W (/BM), 6701B (/BM), 6721W (/BM), 6801W (/BM)).

Example of maximum expansion per apartment

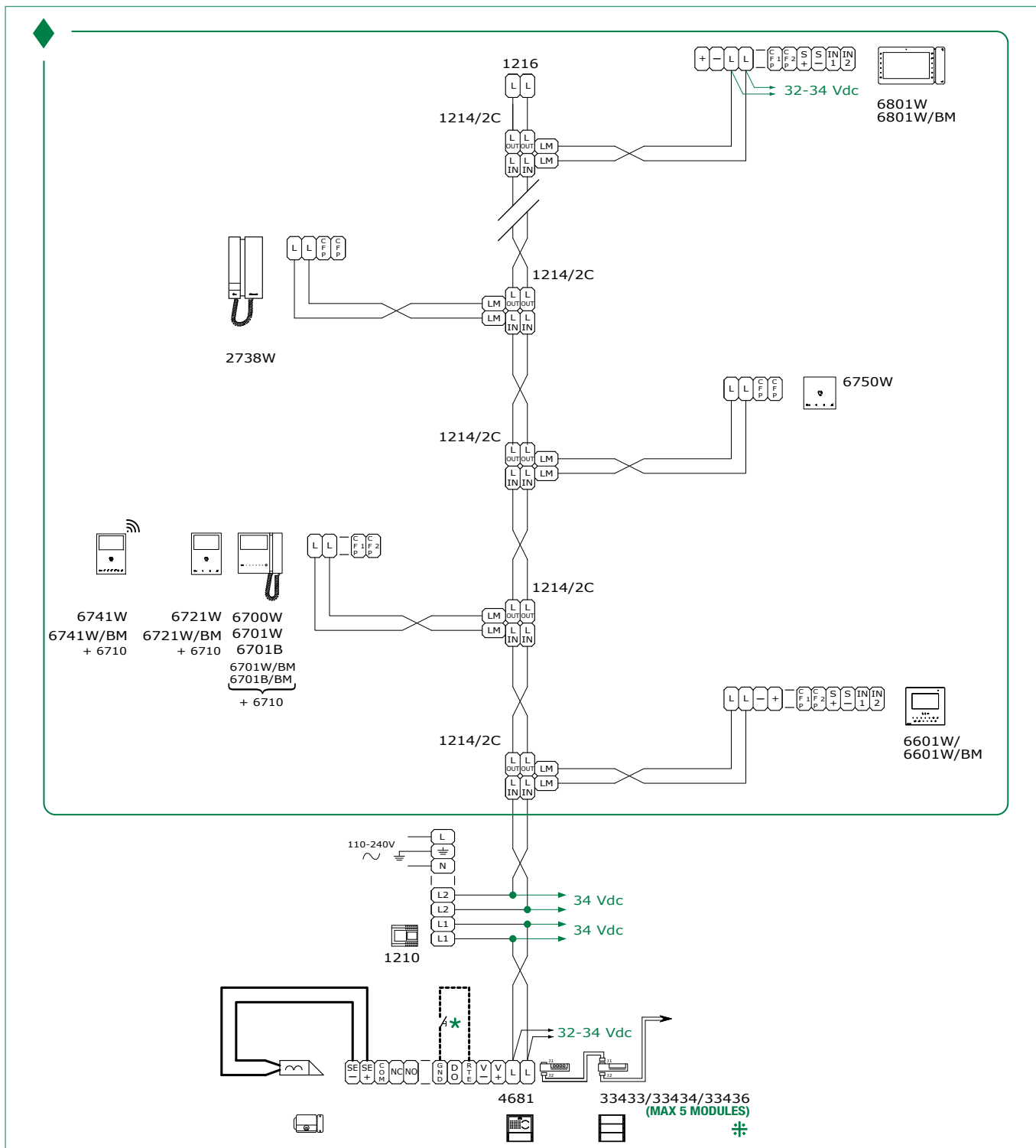


Wiring diagrams

System with a single riser



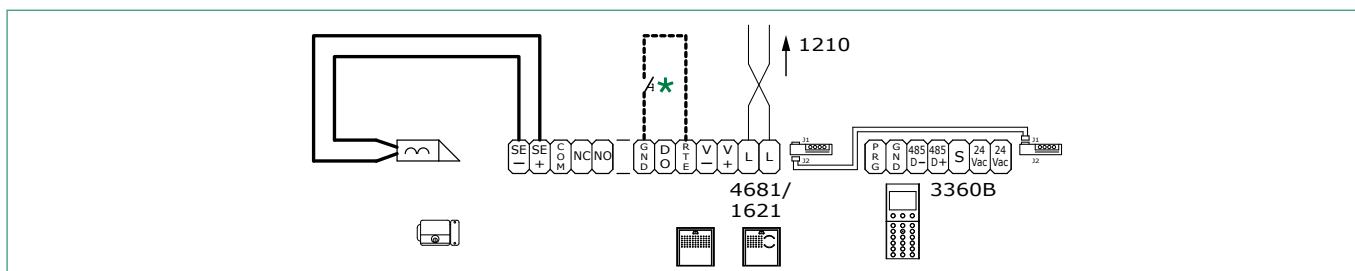
◆ VIDEO ENTRY SYSTEM RISER



★ Local lock-release button.

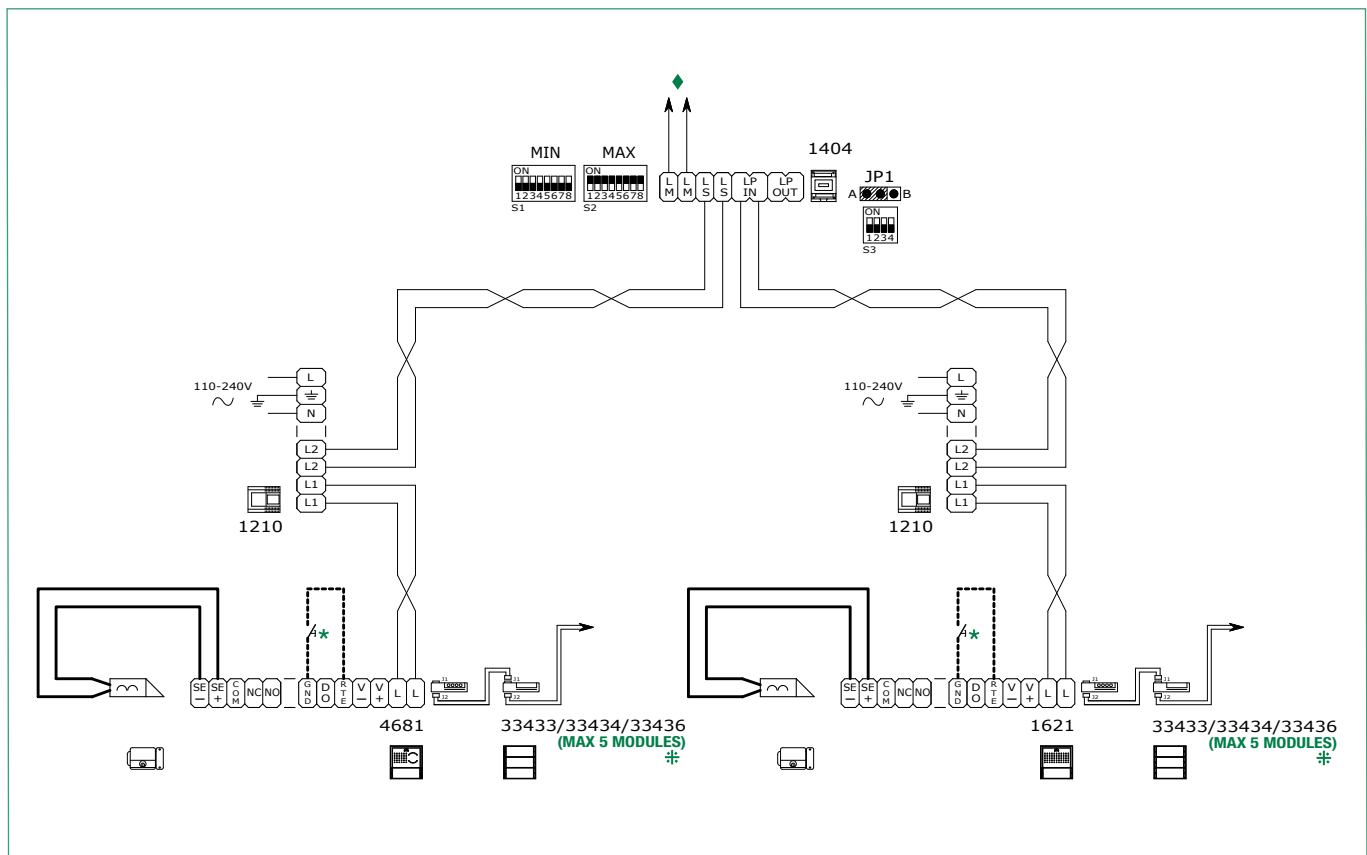
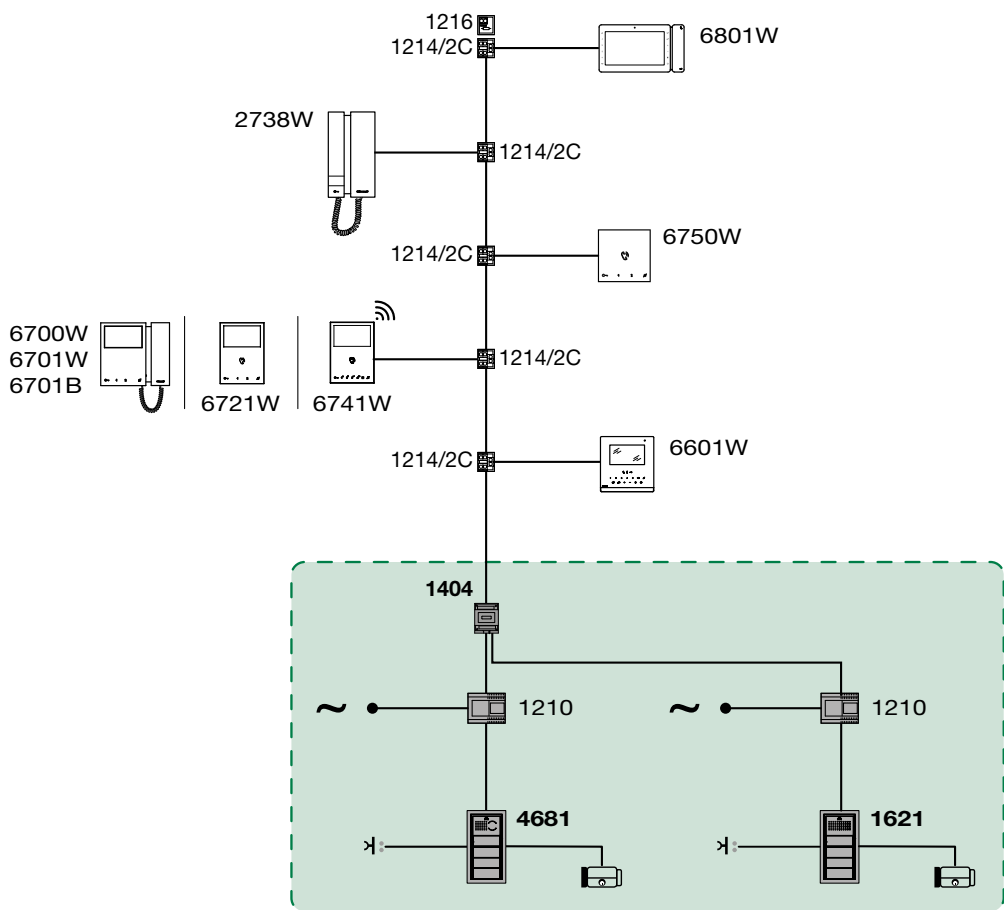
⚡ For different configurations to those indicated in the diagram, consult the manual for article 4681 or the relative section of the system manual.

Variant with Digital External Unit



★ Local lock-release button.

System with a single riser with two entrances, one of which is audio

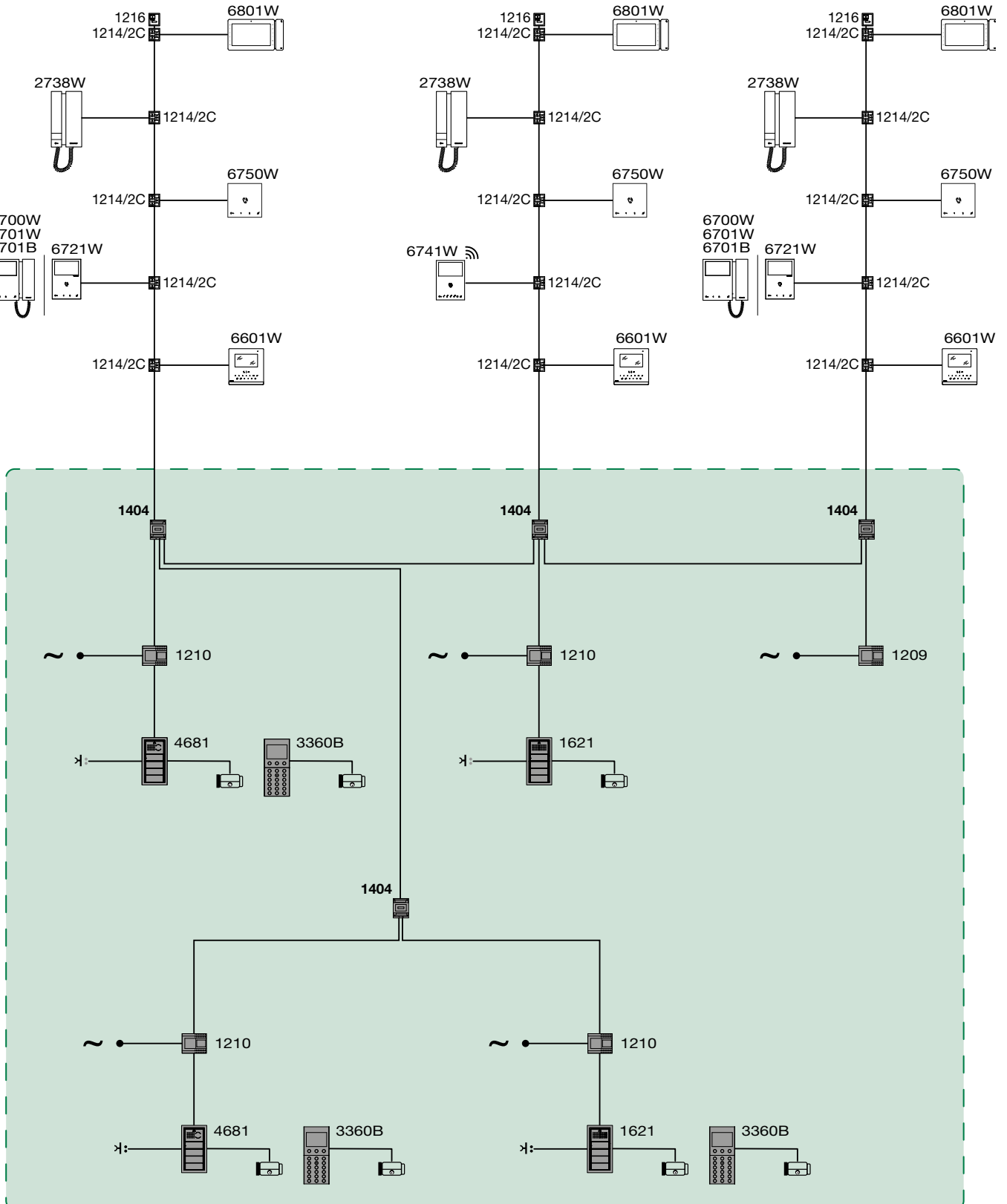


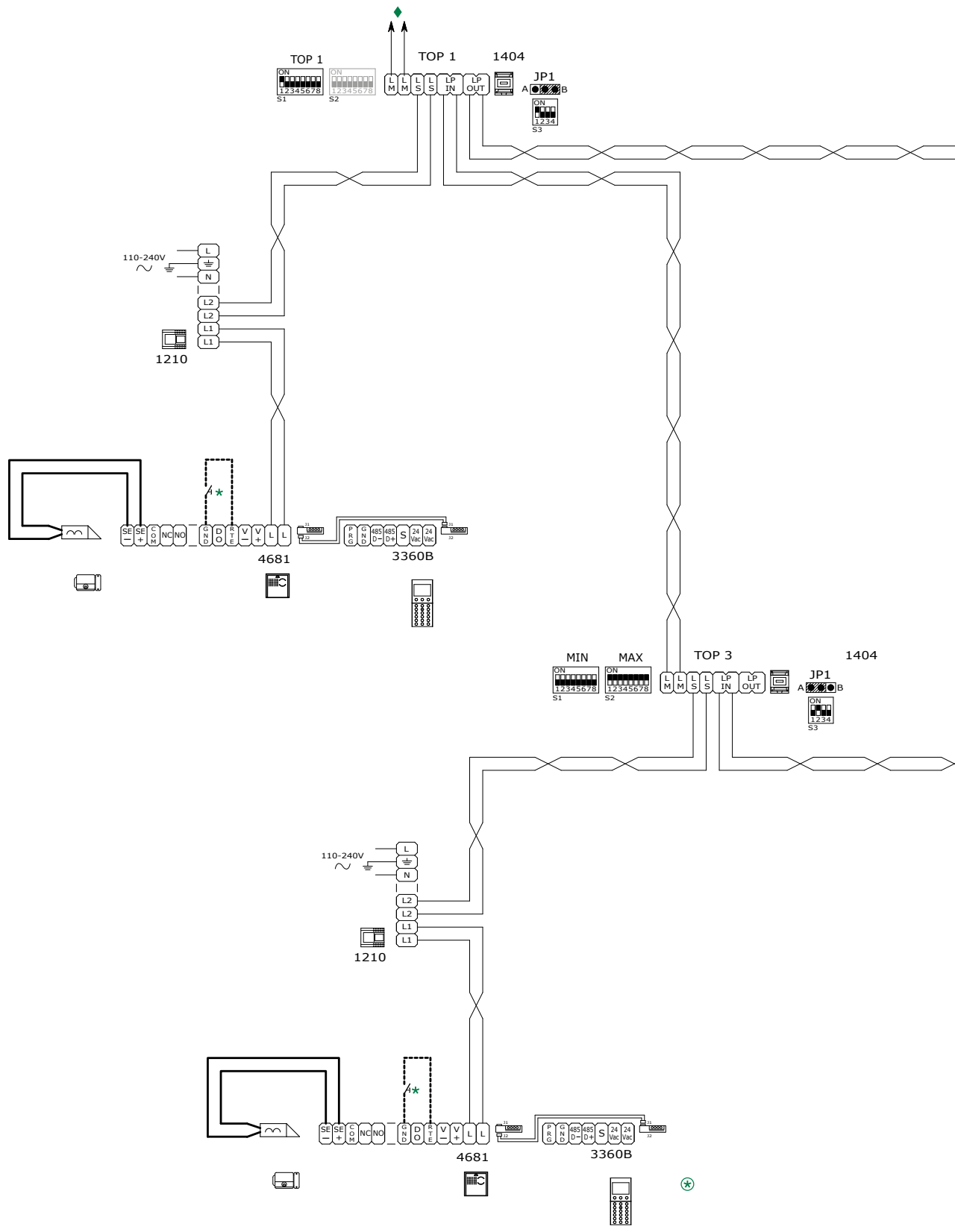
◆ Video door entry system riser (see: **“VIDEO ENTRY SYSTEM RISER”**)

★ Local lock-release button.

⚡ For different configurations to those indicated in the diagram, consult the manual for article 4681/1621 or the relative section of the system manual.

System with 2 main entrances in TOP mode and 3 risers, 2 of which are equipped with a secondary external unit



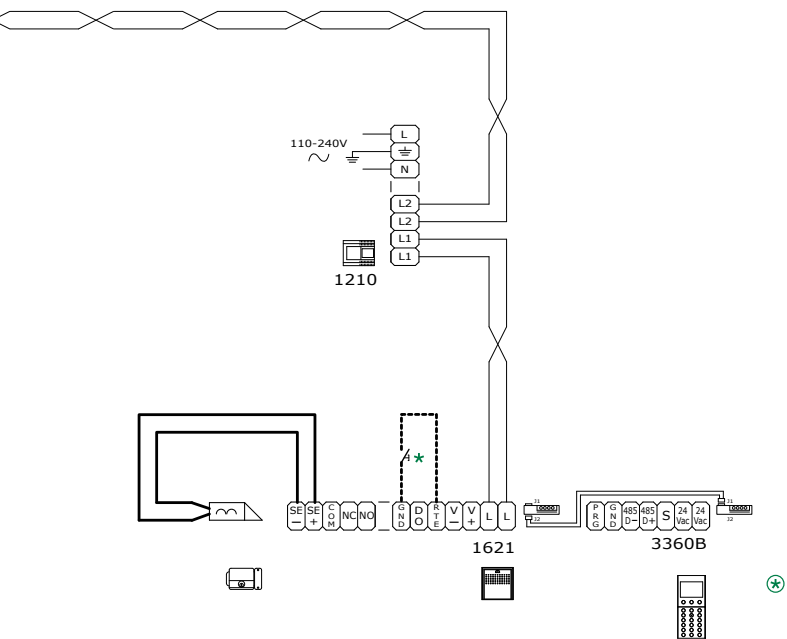
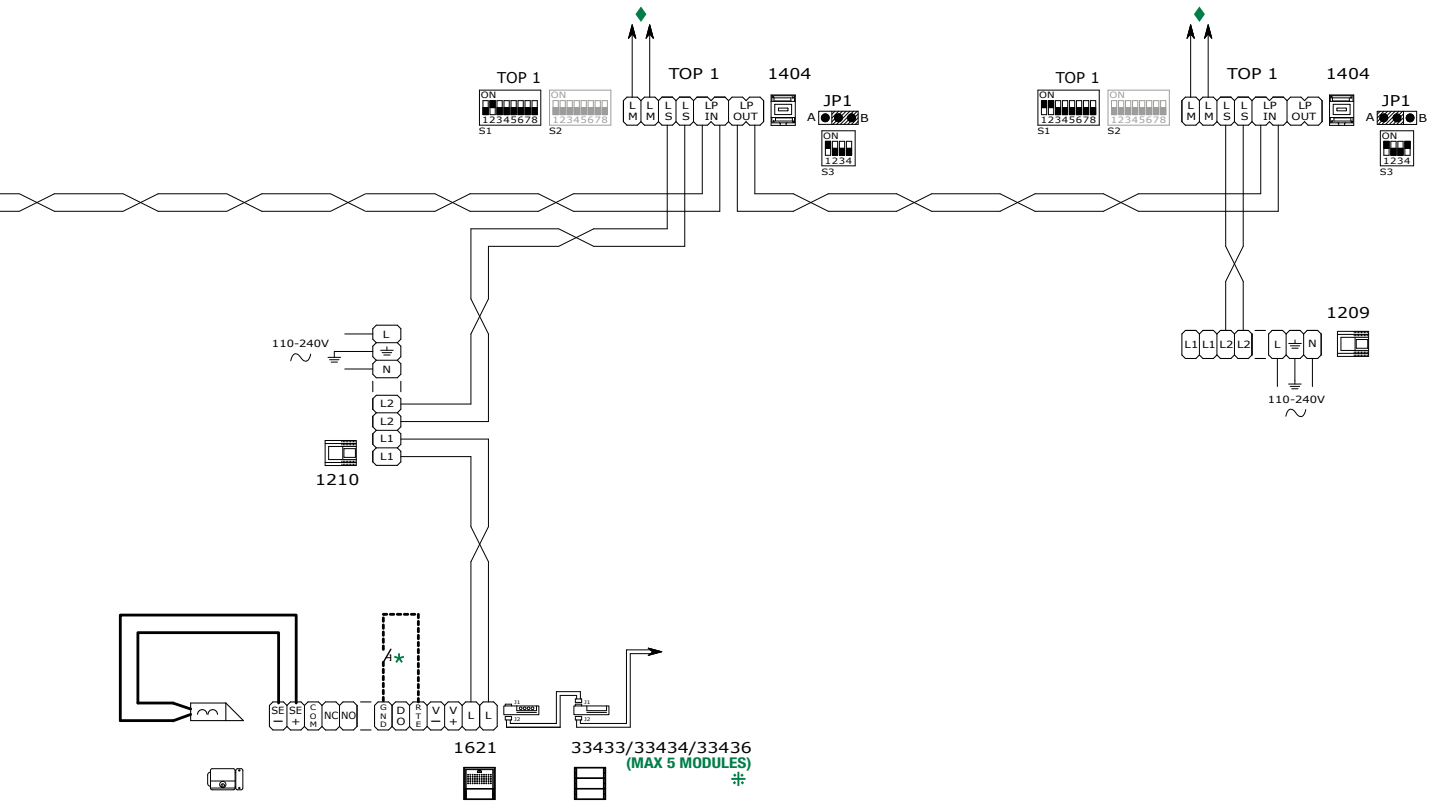


◆ Video door entry system riser (see: **“VIDEO ENTRY SYSTEM RISER”**)

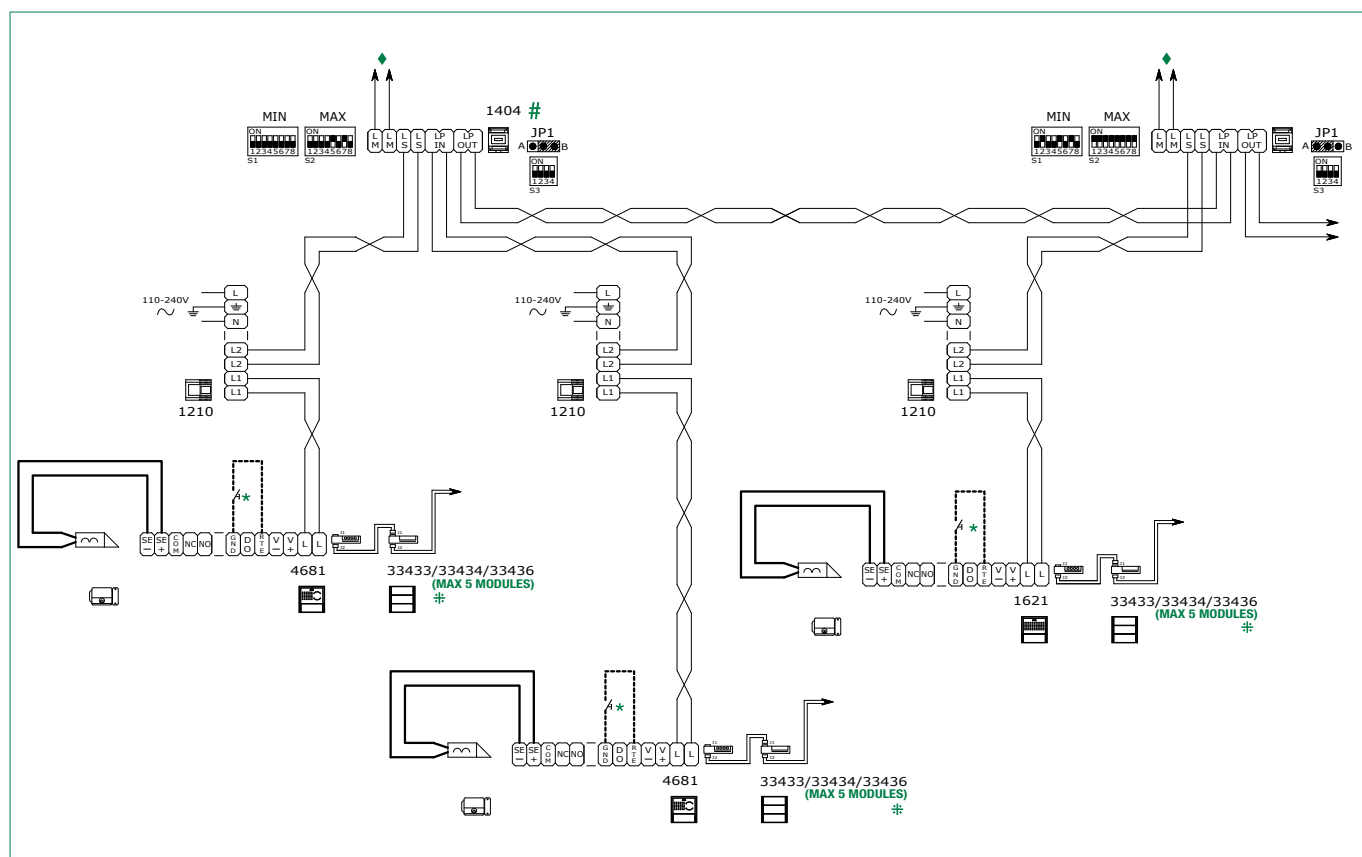
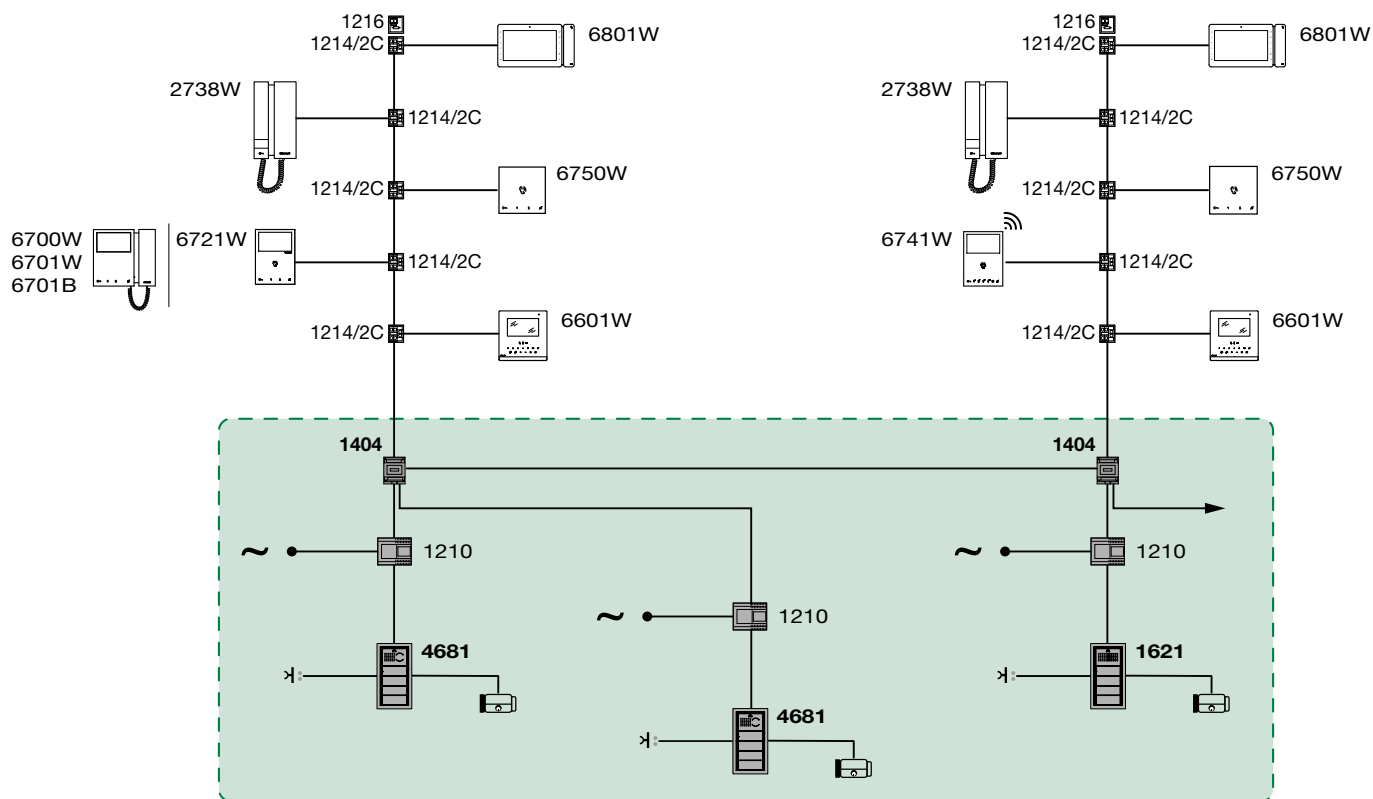
★ Local lock-release button.

⊛ Main port in TOP mode..

⚡ For different configurations to those indicated in the diagram, consult the manual for article 4681/1621 or the relative section of the system manual.



System with a 2 risers, one main entrance and n secondary entrances



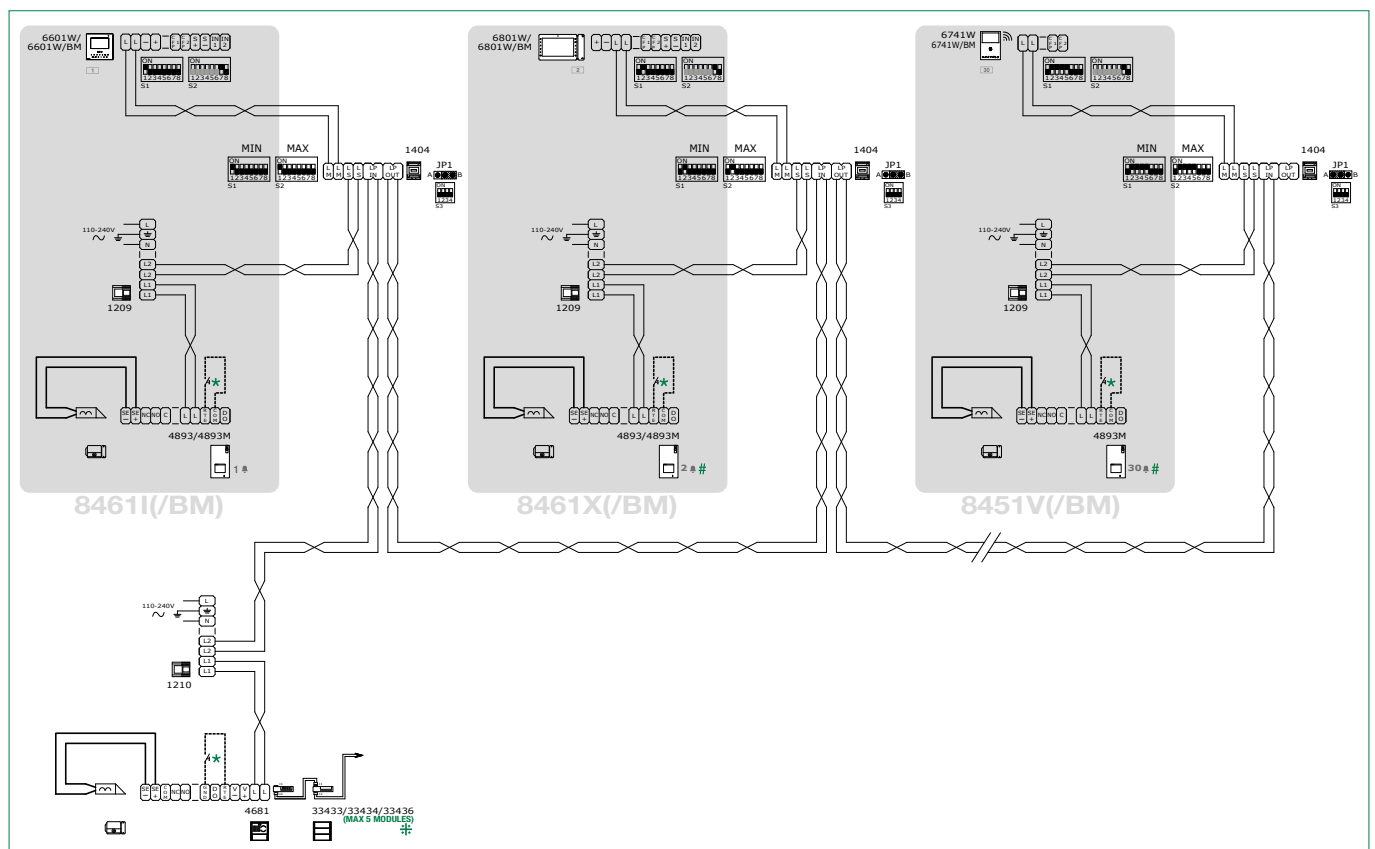
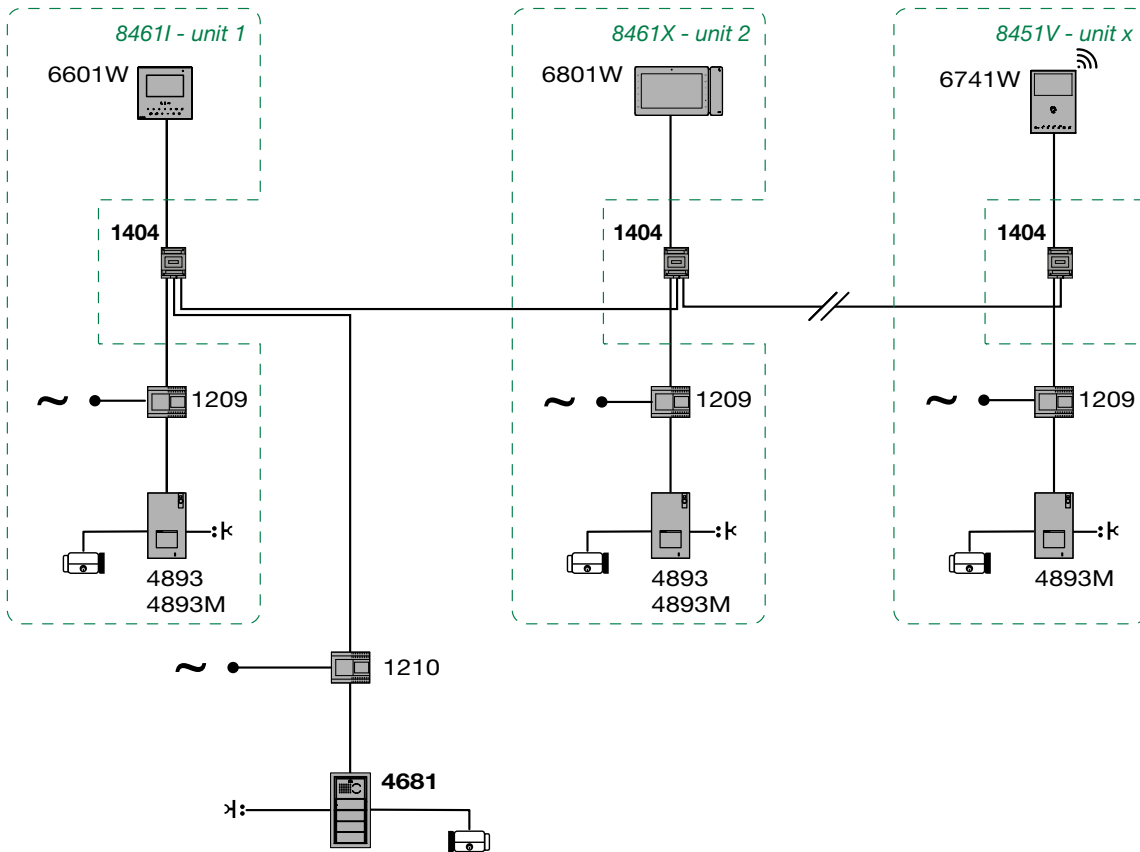
◆ Video door entry system riser (see: **“VIDEO ENTRY SYSTEM RISER”**)

★ Local lock-release button.

CAUTION! Separate switching devices must manage code ranges which are not overlapping.

※ For different configurations to those indicated in the diagram, consult the manual for article 4681/1621 or the relative section of the system manual.

**System with n single-family units and 1 main external unit
(connection in cascade)**

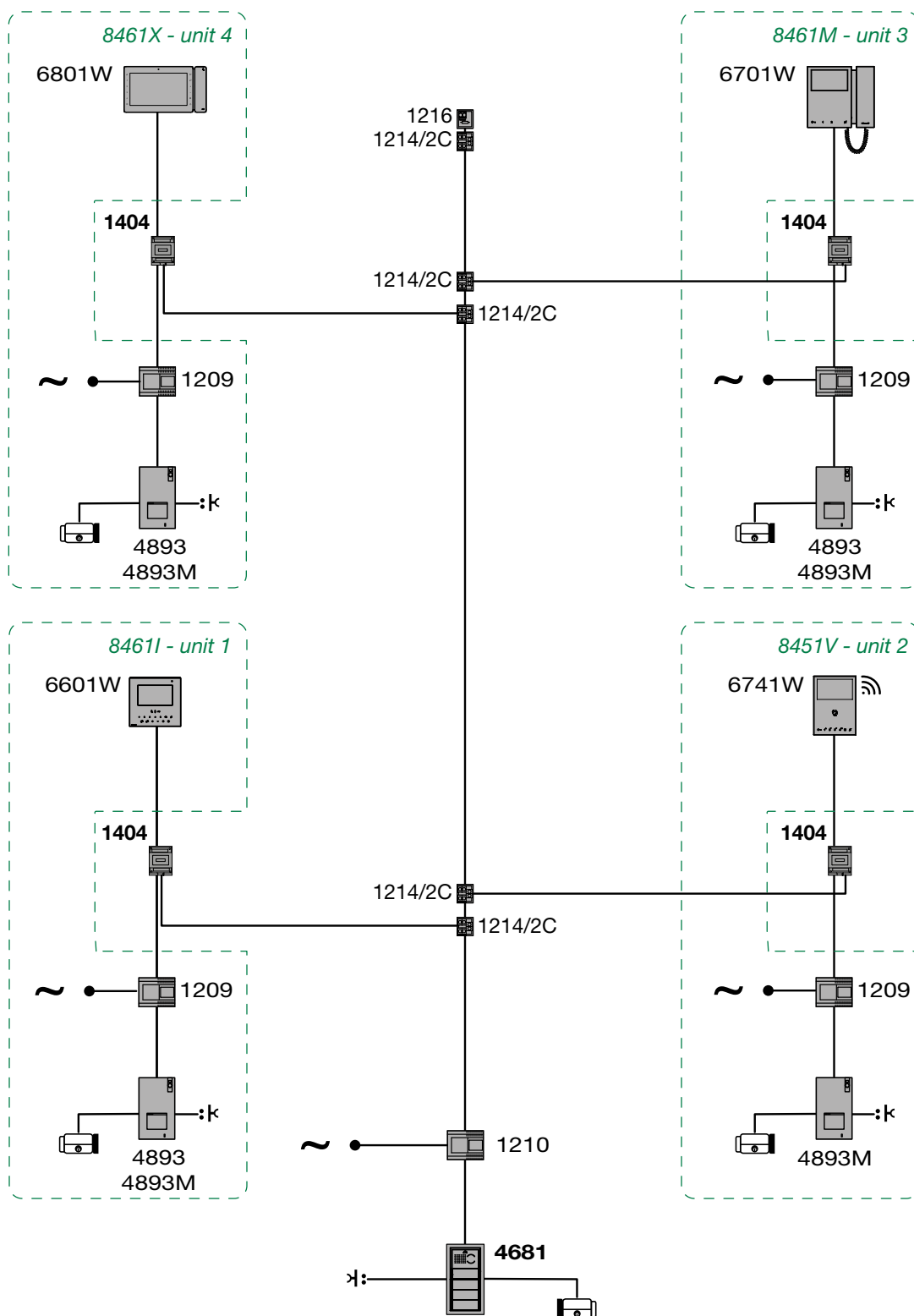


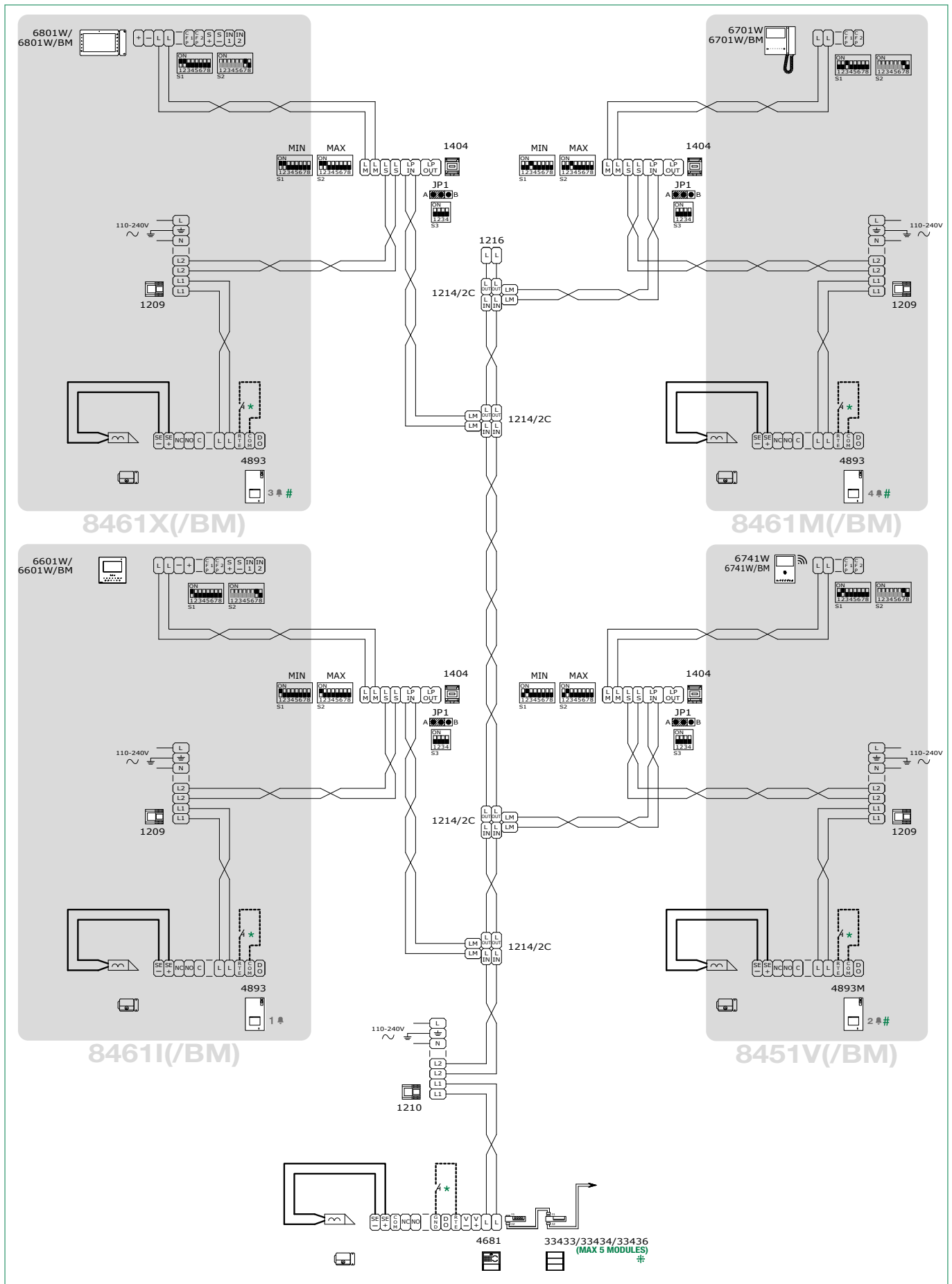
★ Local lock-release button.

For call address programming, please refer to the full manual for Art. 4893/4893M or the relative section of the system manual.

⚡ For different configurations to those indicated in the diagram, consult the manual for article 4681 or the relative section of the system manual.

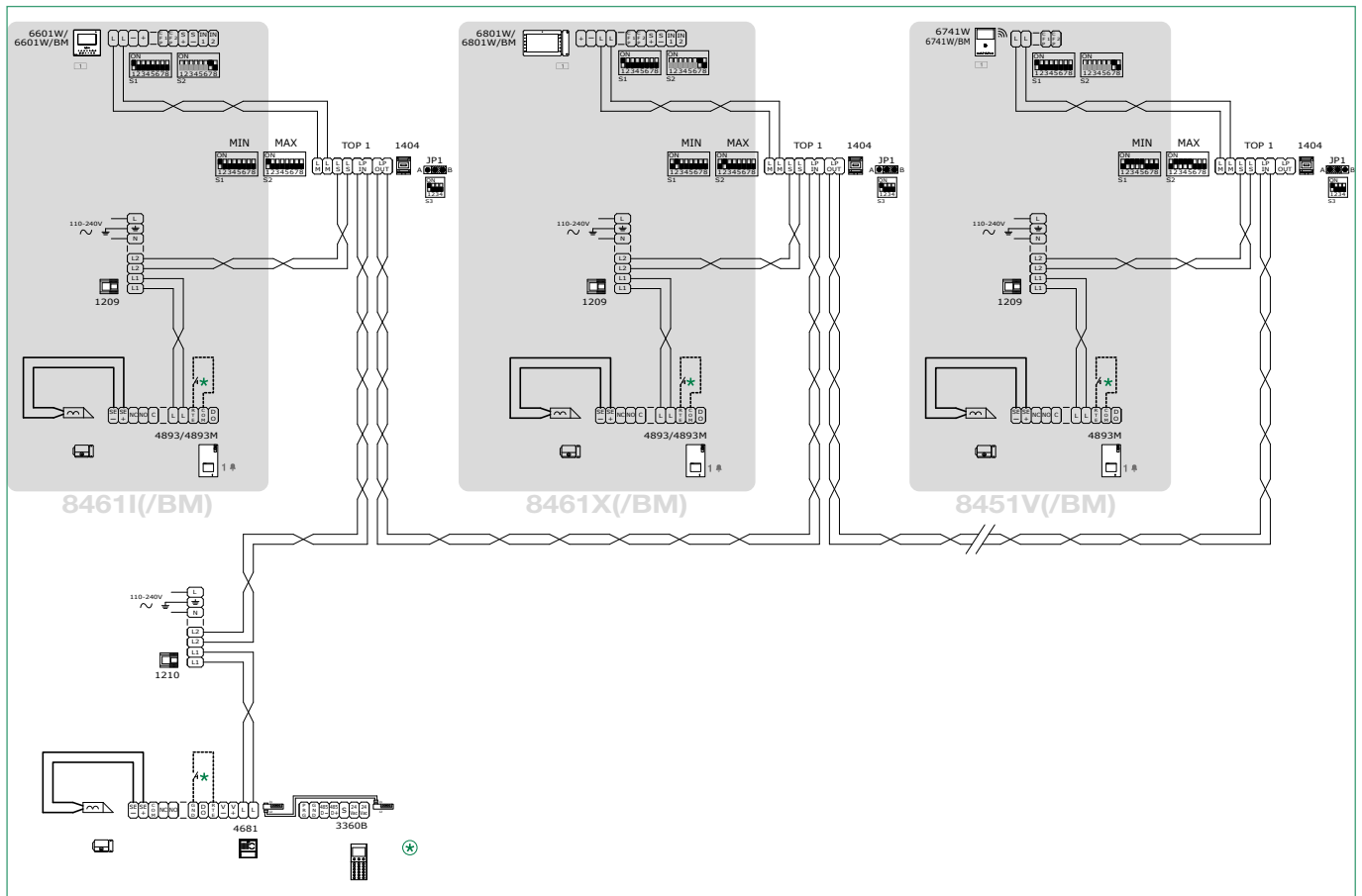
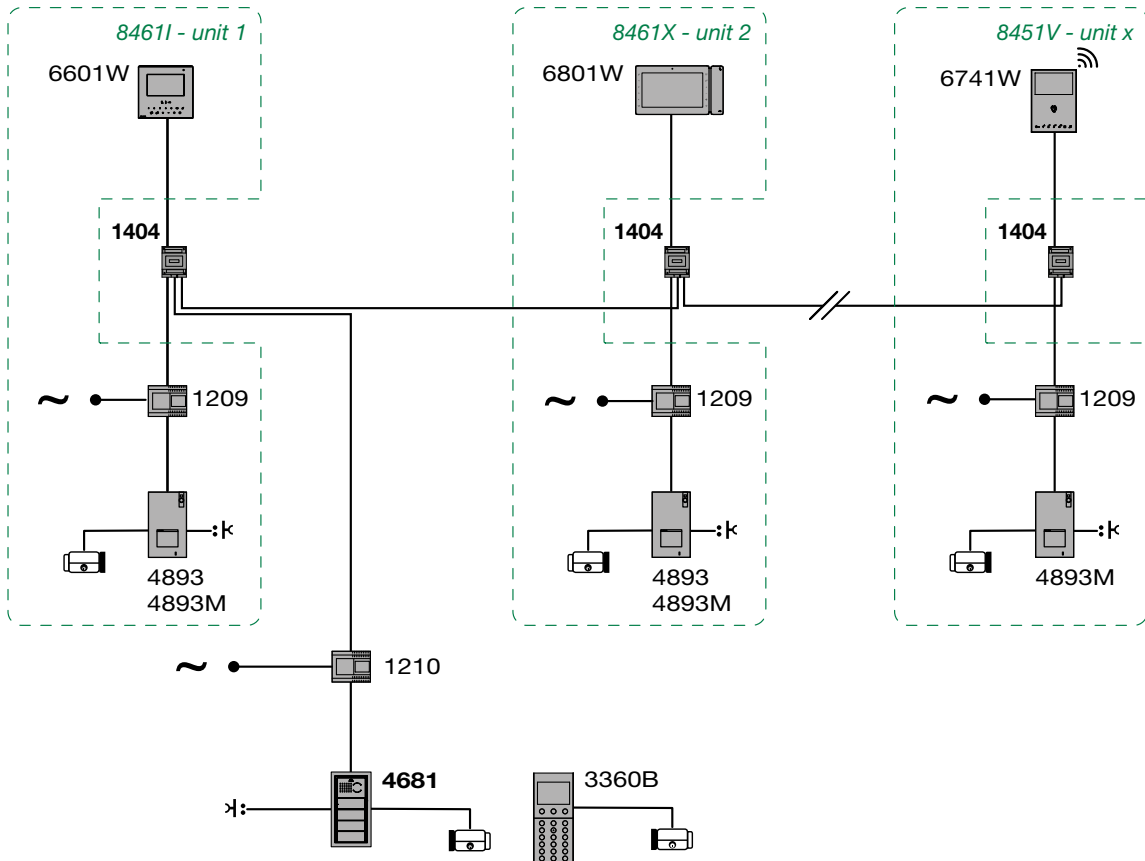
**System with n single-family units and 1 main external unit
(branch connection)**





- * Local lock-release button.
- # For different configurations to those indicated in the diagram, consult the manual for article 4681 or the relative section of the system manual.
- # For call address programming, please refer to the full manual for Art. 4893/4893M or the relative section of the system manual.

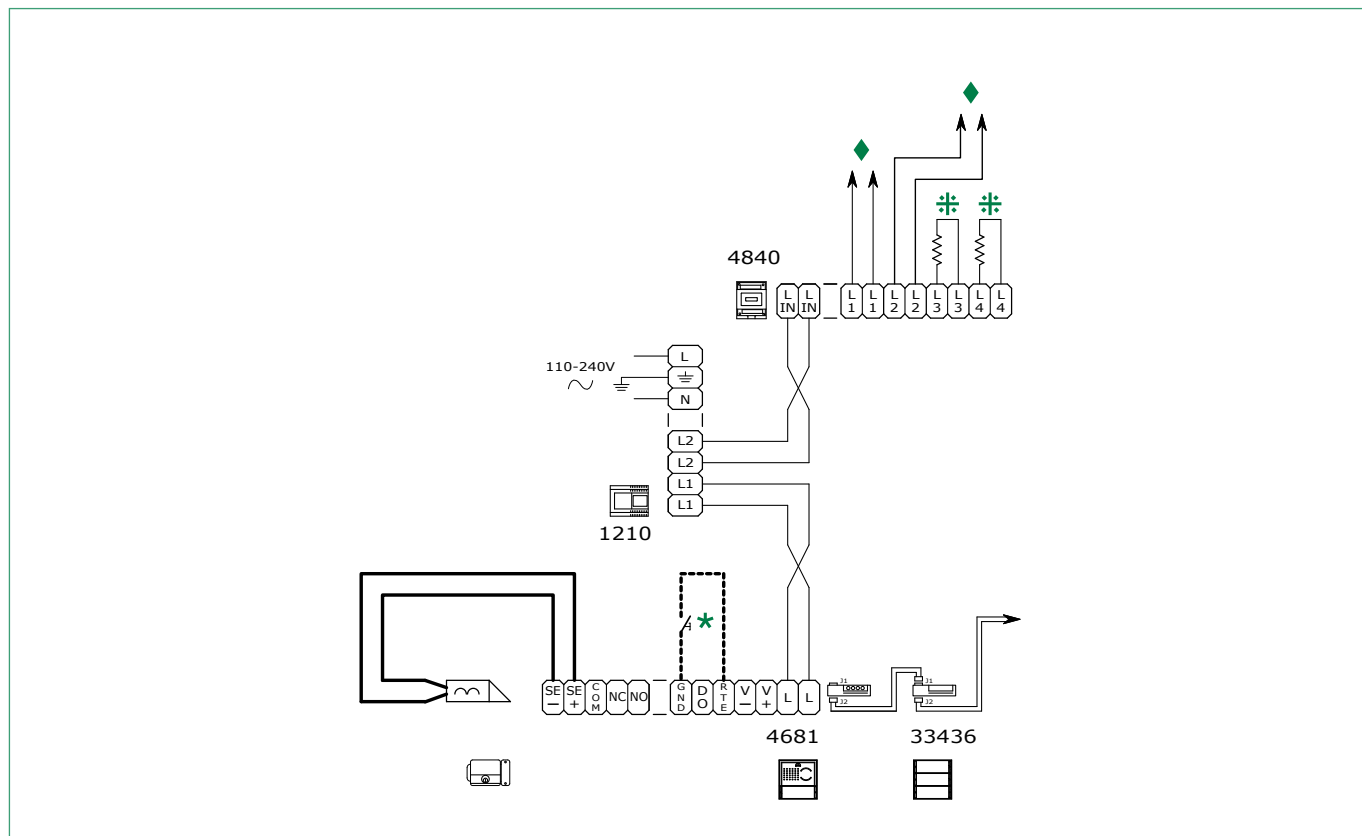
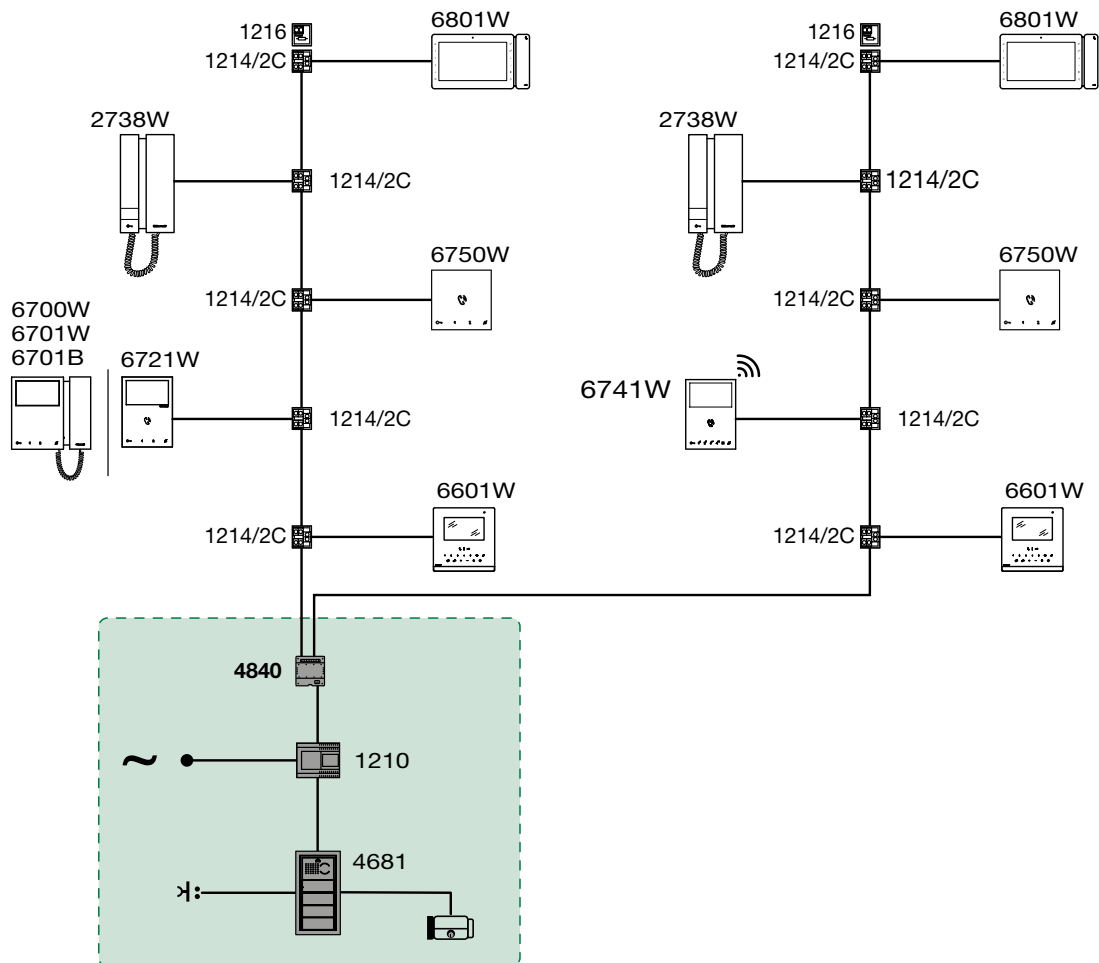
System with n single-family units and a main external unit in TOP mode (connection in cascade)



★ Local lock-release button.

⊕ Main port in TOP mode.

System with video distribution unit, 2 risers and 1 external unit

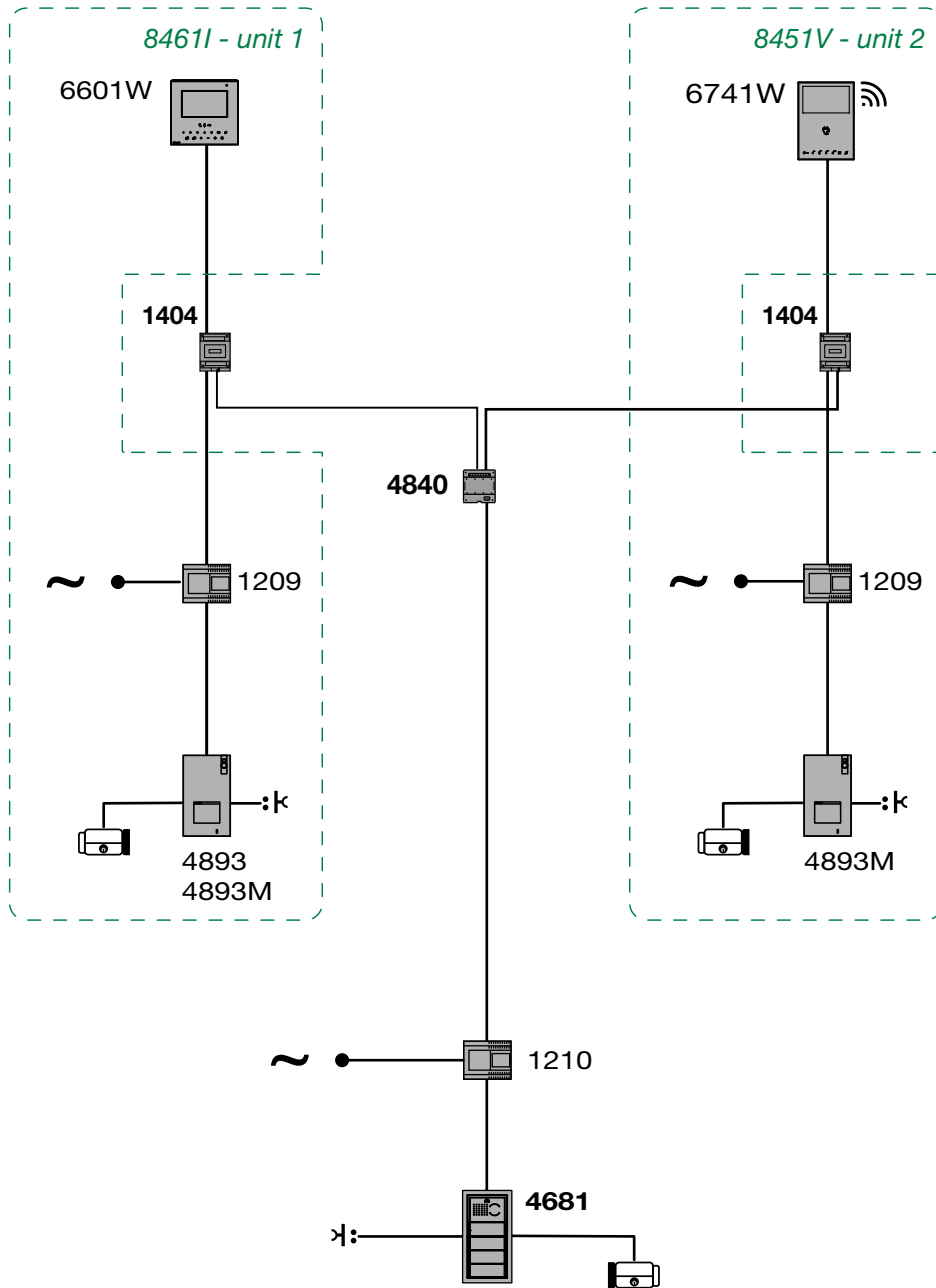


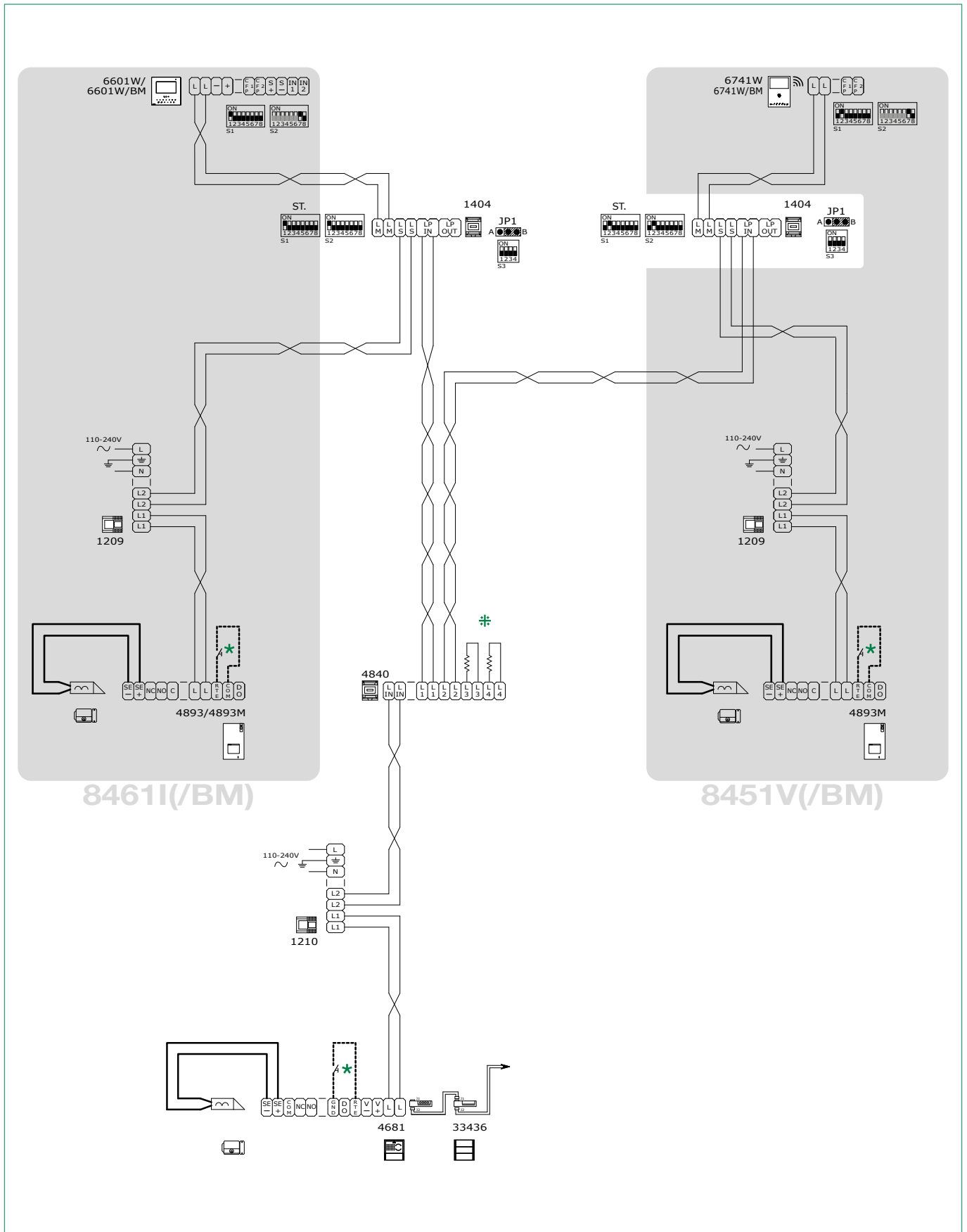
◆ Video door entry system riser (see: **“VIDEO ENTRY SYSTEM RISER”**)

★ Local lock-release button.

⚡ Only cut off the resistance of the output used..

System with video distribution unit, 2 single-family units and a main external unit

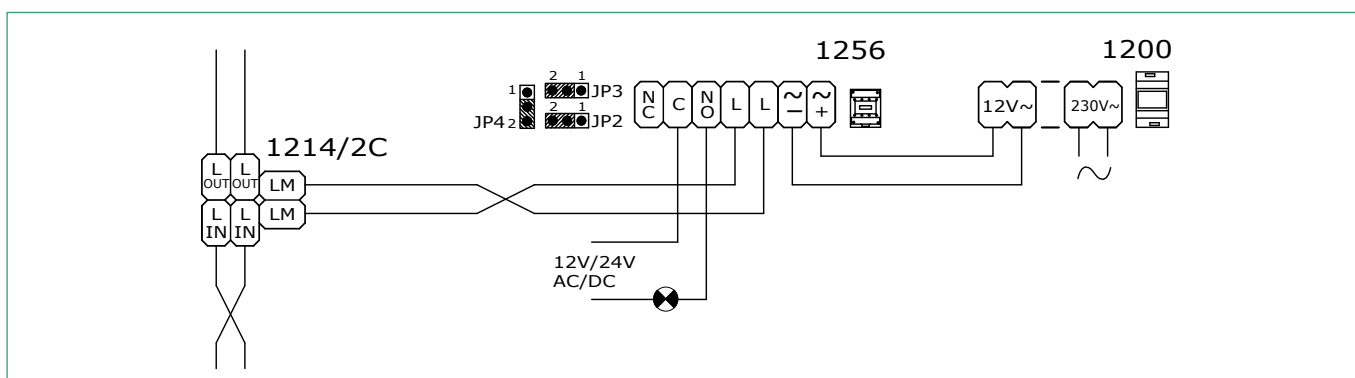
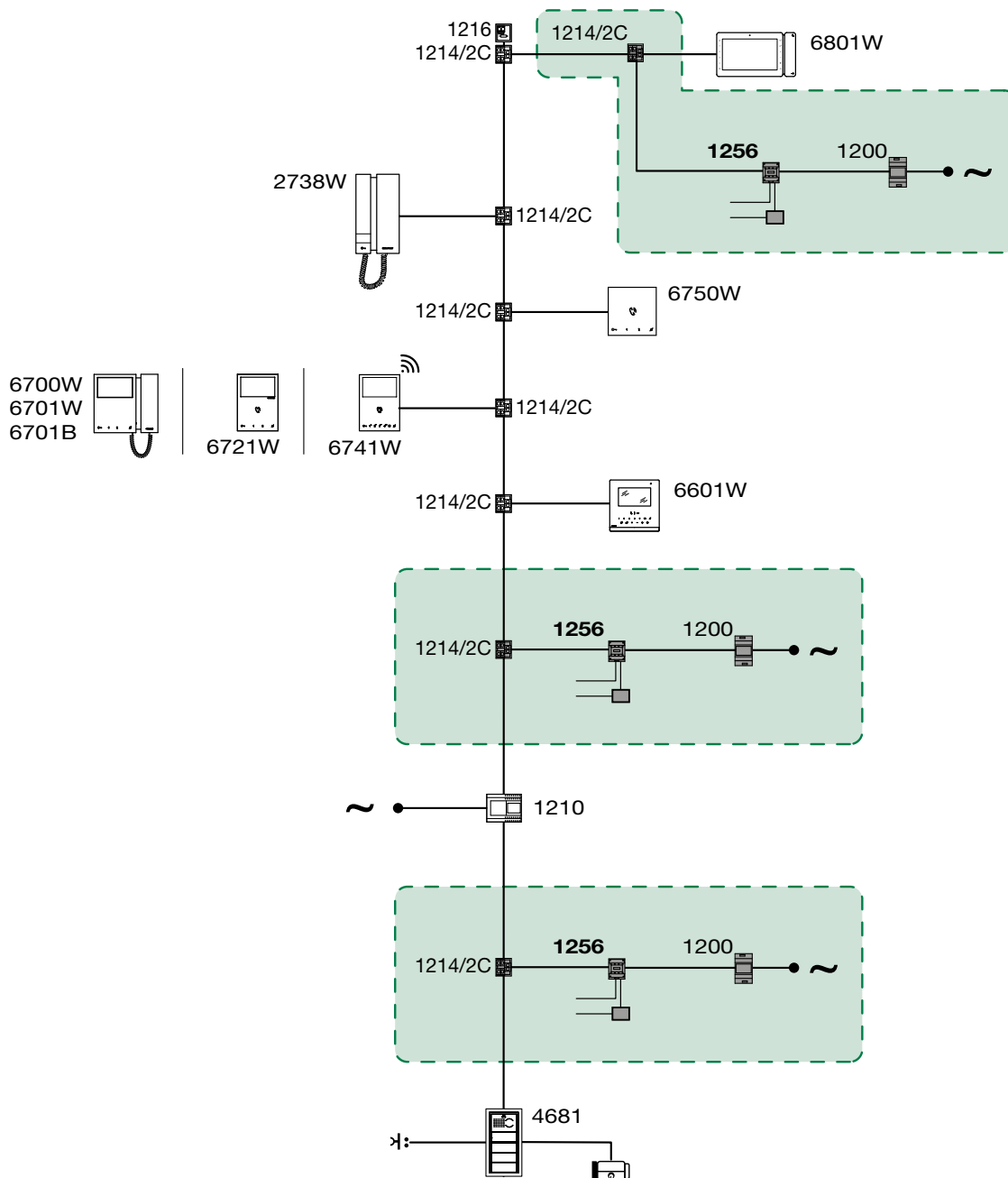




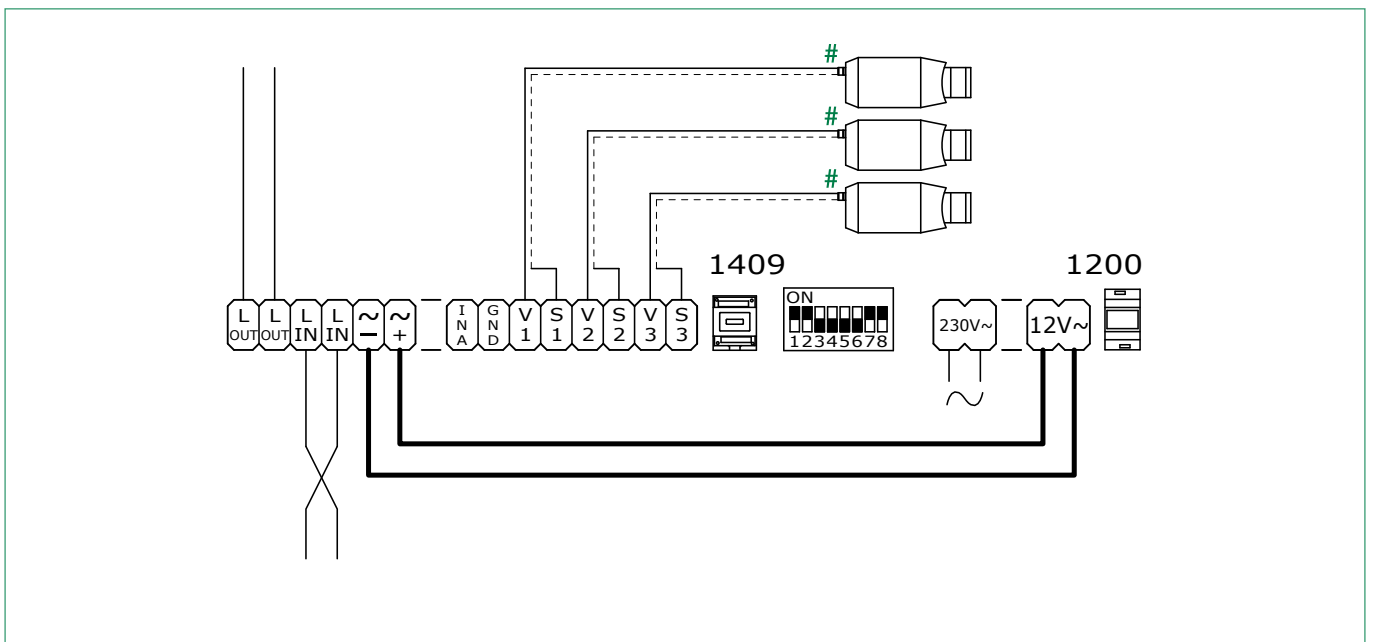
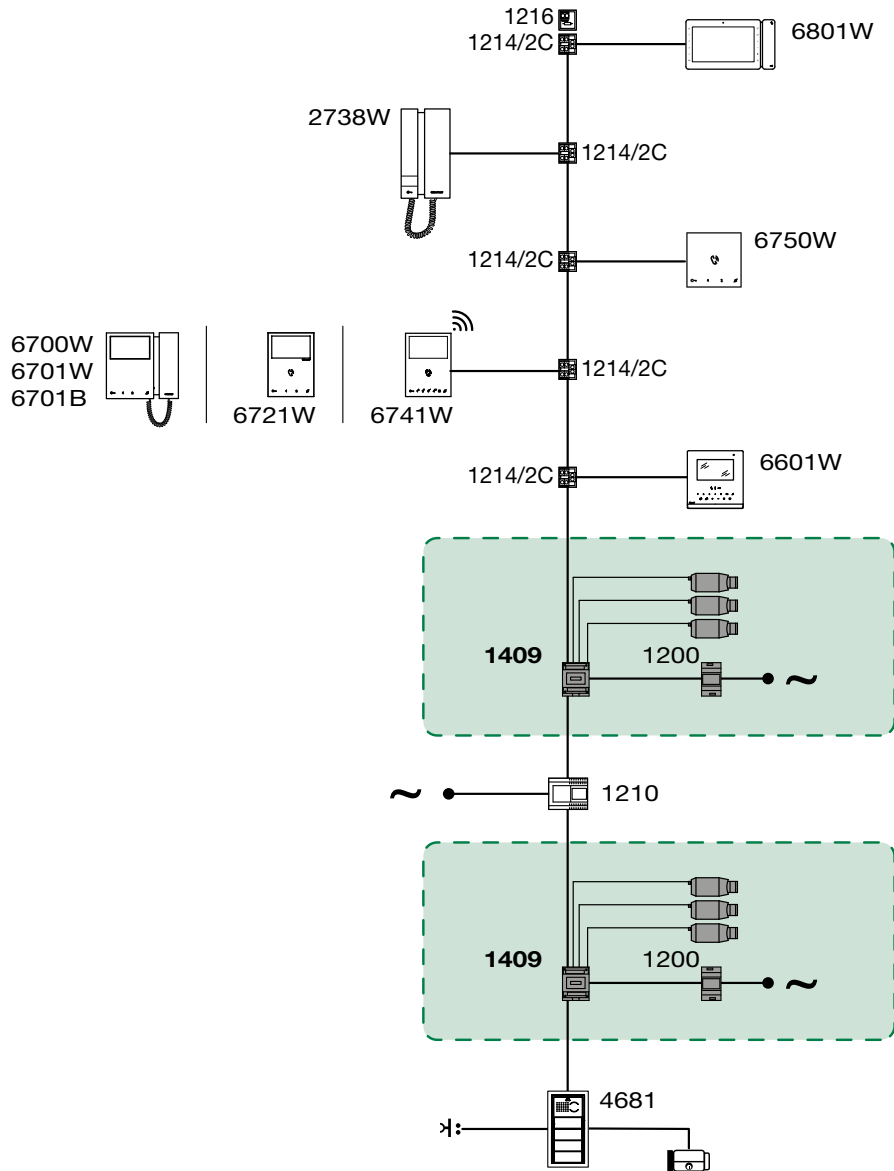
★ Local lock-release button.

Only cut off the resistance of the output used.

Use of actuator relay Art. 1256

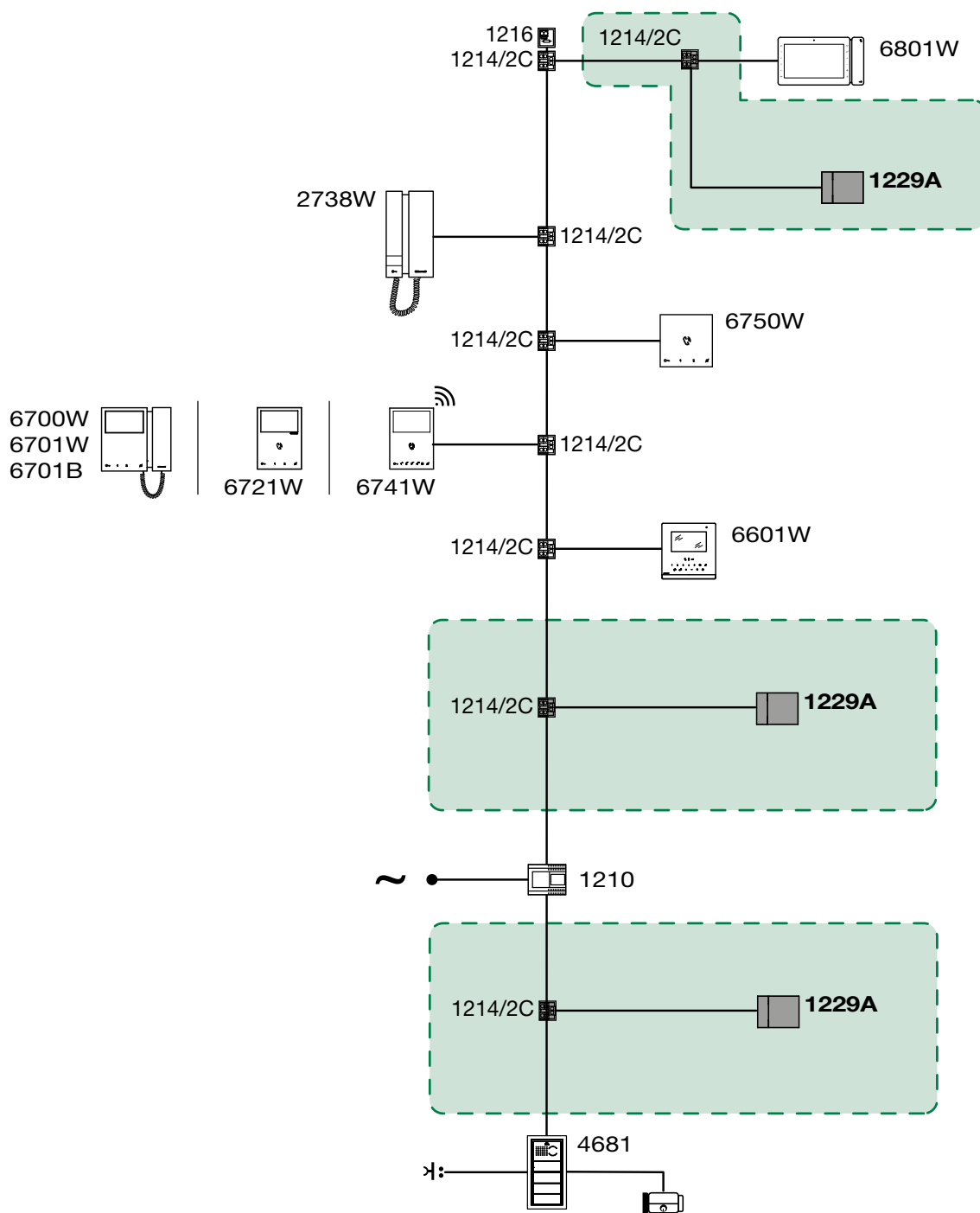


Use of remote camera module Art. 1409



To be powered separately

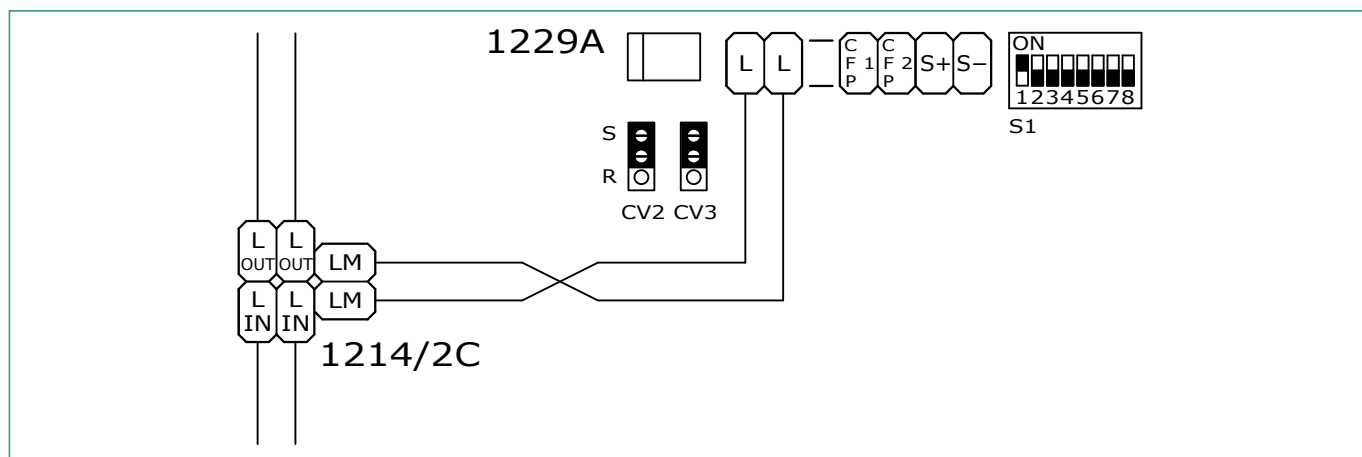
Use of additional bell Art. 1229A



- 6700W
- 6701W
- 6701B

6721W

6741W



CERTIFIED MANAGEMENT SYSTEMS



www.comelitgroup.com

Via Don Arrigoni, 5 - 24020 Rovetta (BG) - Italy

