

TB25KO Drop Bolt

General Description

The TB25KO range of drop bolts represent true engineering innovation, design excellence and the superior quality customers have come to expect and demand from Trimec®. Designed for use on swing-through, double action doors, these drop bolts are ideal for applications where an electric strike is impractical. The TB25KO offer a unique mechanical override with integrated euro profile cylinder.

Key Features

- High Security. Bolt is deadlocked in the extended position
- Mechanical key override in the event of power failure. (Euro Profile Cylinder)
- Bolt position monitored
- Door position monitor with integrated magnet into the strike plate (no need to install a separate reed switch)
- Multiple orientation, drop bolts will work horizontally or vertically
- Power to Lock/ Power to Open
- Continuously Rated Solenoid
- Tamper Proof. Lock cannot be defeated by slipping a metal object between lock and striker plate
- Intelligent Electronics. These intelligent bolts will attempt to re-close the bolt 8 times, allowing time for swing through doors to settle in the closed position
- Thermal Protection. In the event of solenoid overheat, a thermal fuse will operate, eliminating any fire risk



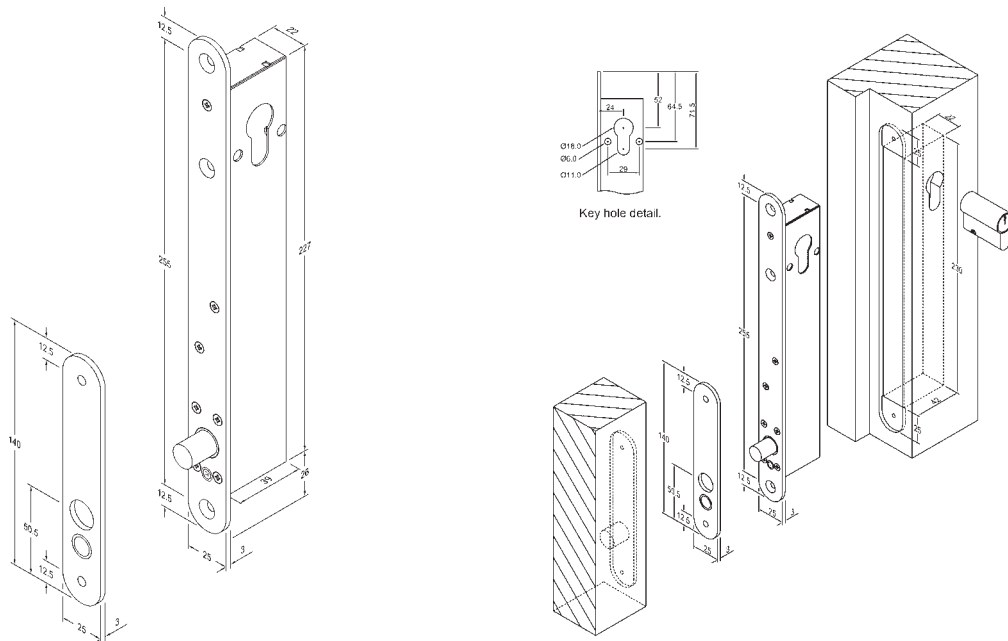
Applications

- Glass doors
- Timer Doors

Standards and Compliance

CE CE Approved

TB25KO Drop Bolt



TB25KO Drop Bolt Technical Information

Voltage	12 or 24Vdc
Current (Start)	1100mA @ 12V, 1000mA @ 24V
Current (Holding)	210mA @ 12V, 90mA @ 24V
Holding Force	1000kg
Locking Mode	PTL & PTO
Dimensions (Mortise)	164 x 22mm
Bolt Length	12.7 x 16mm
Faceplate Size	10 x 25mm
Monitoring Contacts	Bolt & Door

Specification Statement

The bolt must be able to operate in horizontal and vertical orientations. The position of the bolt must be monitored as well as have an integrated reed switch for door position monitoring. The electronic functions must include: 8 x lock and unlock attempts, 8 second unlock delay, automatic relock after 8 seconds, power reduction circuitry to limit the holding current, and a one time thermal fuse cut-out in case of solenoid overheating. Locking function can be converted from Power to Lock (PTL) to Power to Open (PTO). The faceplate and strike plate must be finished in stainless steel.

Ordering Information

SKU	Short Code	Description
188251-510	TRIMEC TB25KOSQ PTL DROPBOLT	12-24V DC with key override round corner faceplate
188252-510	TRIMEC TB25KOSQ PTO DROPBOLT	12-24V DC with key override round corner faceplate
Accessories		
228250-502	EB25KO SS HOUSING FOR BOLT	
228250-503	EB25KO SS Housing for Long S/P	
228250-504	EB25KO SS Dress Plate	
228250-505	EB25KO SS LONG STRIKE PLATE SQ HOLE	
TB25KO-DPK	TRIMEC TB25KO DRESS PLATE KIT	
TB25KO-SMHK	TRIMEC TB25KO SURFACE MOUNT KIT	