



■ Wall mounted with cover



■ Cover panel (40 x 40mm cut out)



■ Panel mounted without cover

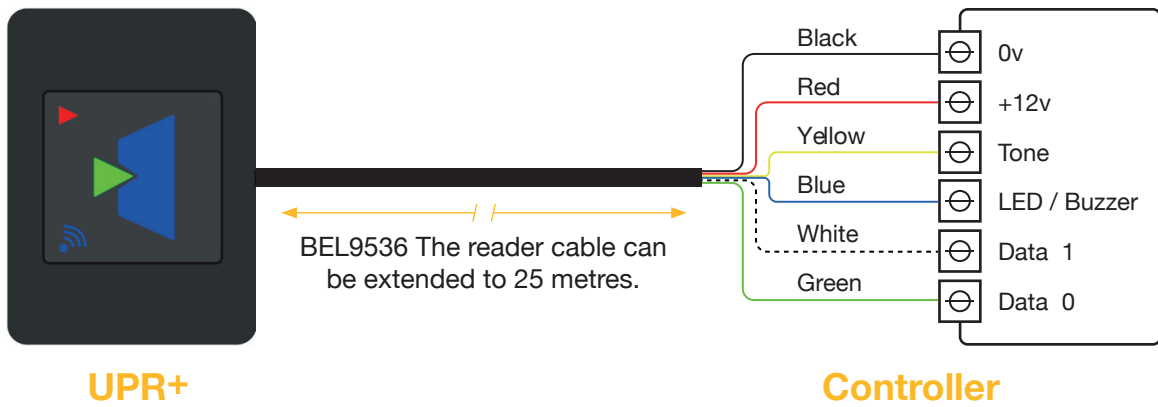
SKU: UPR+

Universal Proximity Reader for Access Control

The Universal Proximity Reader is designed to work with 99% of access control systems provided they have a Wiegand or Mifare input. The UPR+ reads RFID cards & tokens at 125kHz and 13.56MHz and transmits the data to the controller while providing a visual and/or audible signal using the LEDs/Buzzer. The Universal Proximity Reader can be wall mounted (mullion) or panel mounted in a door entry panel with a 40x40 mm cut out. With IP68 waterproofing the the UPR+ is the most versatile reader available.

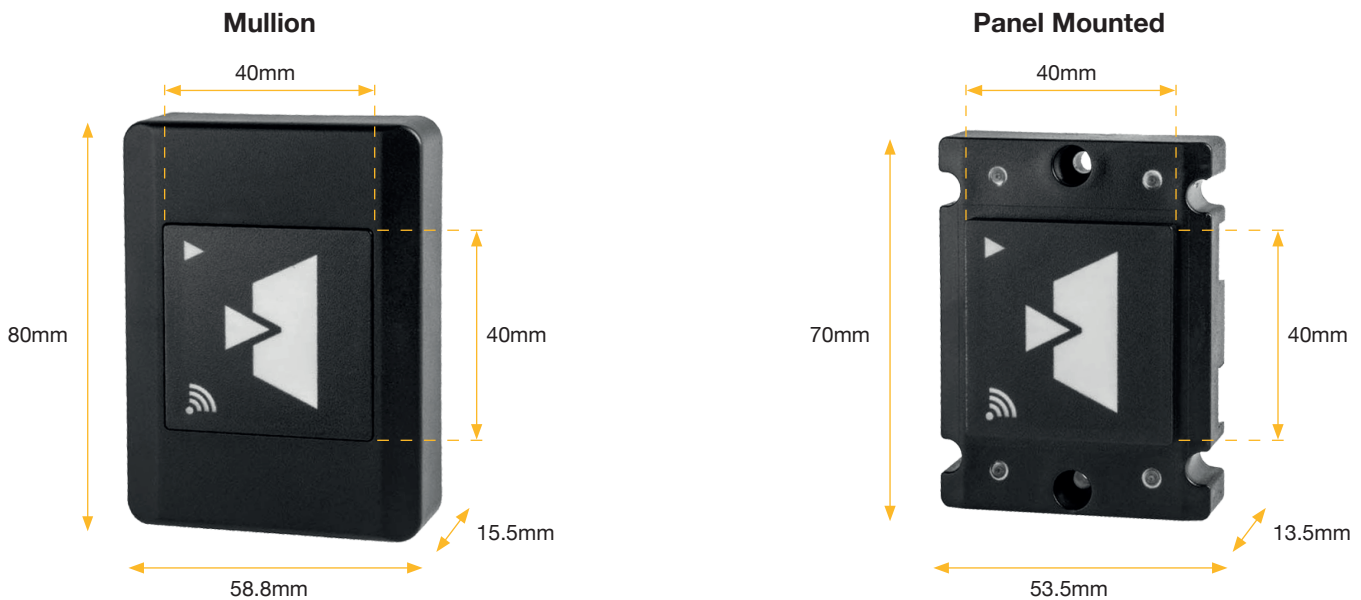
- Designed to work with 99% of systems that have Wiegand inputs
- Provides a visual and/or audible signal using LEDs/Buzzer
- Works with ISO cards, clamshell cards and passive RFID tags
- Fully CE compliant
- Reads RFID cards & tokens at 125kHz and 13.56MHz
- Wall or panel mounted (40x40 mm) all in one reader
- Reader cable can be extended to 25 metres
- External or internal use (fully potted)

Connection



The Universal Proximity Reader should be fitted close to the door that you wish to control access to.

Dimensions



SKU: UPR+

UPR+ Proximity Reader

The UPR+ reads RFID cards & tokens at 125kHz and 13.56MHz, and transmits the data to the controller while providing a visual and/or audible signal using its LEDs/Buzzer if the card is recognised and valid or invalid.

It can be wall mounted or flush mounted in a door entry panel with a 40x40 mm cut out. This is a UNIQUE feature of the UPR+. No other reader available in the UK can be used for panel mounting or wall mounting.

Product	UPR+
Power supply	9 - 16 VDC
Cable termination	Pigtail (600mm long)
Operating temp	-40 - 50°C
Dimensions	Mullion 80 x 58.5 x 15.5 (HWD mm) Panel 70 x 53.5 x 13.5 (HWD mm) with 40 x 40mm cut out
Reader	RFID 125kHz & 13.56MHz Wiegand
Card/token compatibility	EM, Mifare Classic 1K, Mifare DESFire EV1, Mifare Plus, Mifare Ultralight C
Reading distance	3 ~ 6cm
IP rating	IP68