

1 Entering Programming mode

Before you add or delete users, you must be in *Programming Mode*, to do this use default master code.

0000* (Solid amber LED)

2 Changing Master Code

1. Enter *Programming Mode* (see 1)
2. Enter **"0"** for master code location
3. Enter new 4 digit Master code
4. Press **"#"** to confirm
5. Press **"*"** to finish programming

Example: 0 MASTER CODE # *

3 Adding user PIN for output 1

1. Enter *Programming Mode* (see 1)
2. Enter **"1"** for output 1 relay
3. Enter **"01"** to set PIN's location
4. Enter 4 digit user code
5. Press **"#"** to confirm
6. Press **"*"** to finish programming

Example: 1 01 USER CODE # *

4 Setting lock time for output 1

1. Enter *Programming Mode* (see 1)
2. Enter **"40"** for output 1 relay
3. Enter E.g. **"5"** for 5 seconds
4. Press **"#"** to confirm
5. Press **"*"** to finish programming

Example: 40 5 # *

5 Setting output 1 to latch mode

1. Enter *Programming Mode* (see 1)
2. Enter **"41"** latch mode on output 1
3. Press **"#"** to confirm
4. Press **"*"** to finish programming

Example: 41# *

6 Disable/Enable "#" with user PIN

1. Enter *Programming Mode* (see 1)
2. Enter **"82 1"** to disable or.....
3. Enter **"82 0"** to enable
4. Press **"#"** to confirm
5. Press **"*"** to finish programming

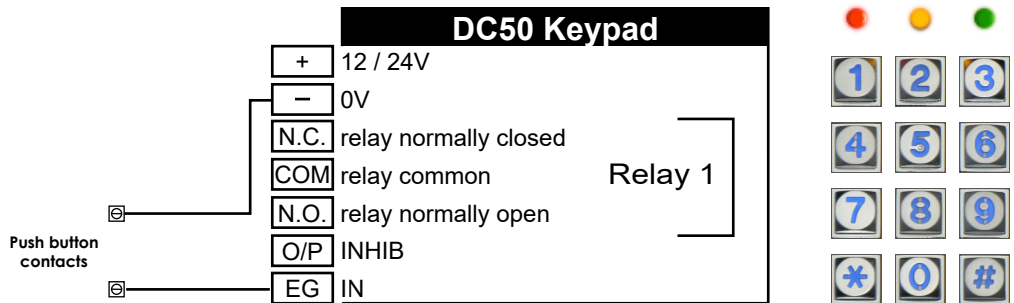
Example:

Disable: 82 1 # *, Enable: 82 0 # *

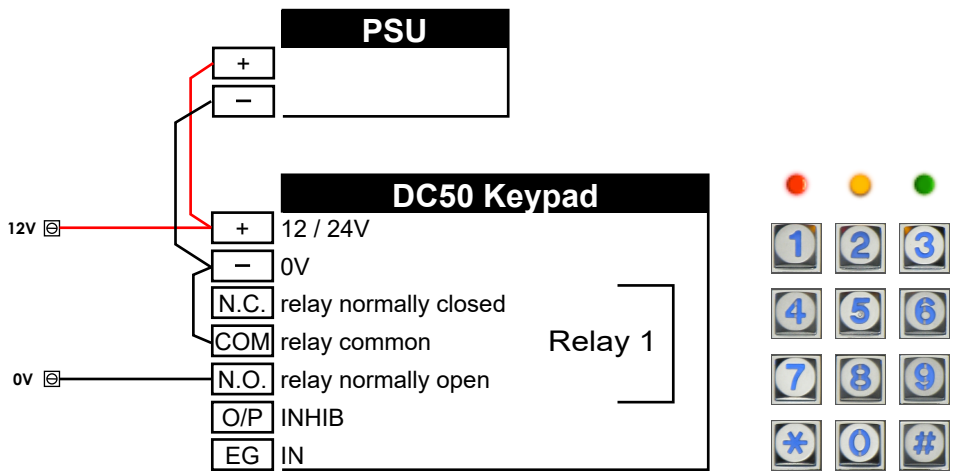
Locking Options

Note : Power supply voltage and current, should match lock specification.

Egress button



Fail Locked



Fail Un-locked

