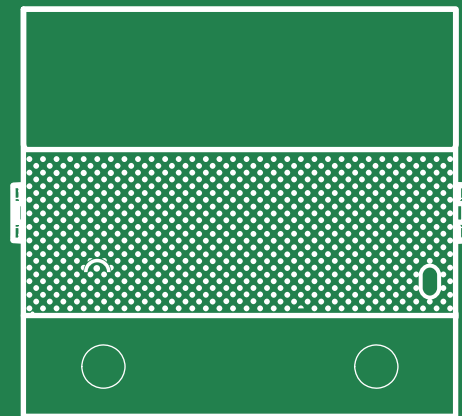
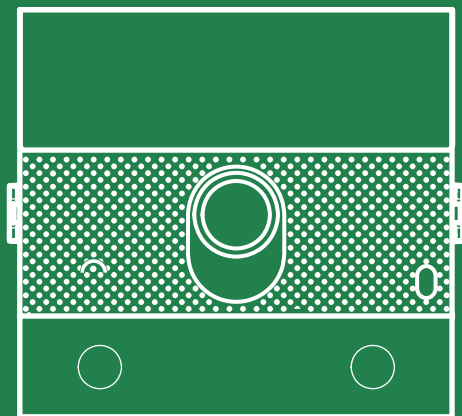


EN

TECHNICAL
MANUAL



Audio/video module for Simplebus1 Ultra
Art. UT1020

Simplebus1 Ultra remote camera audio module
Art. UT1010VC

 **Comelit**[®]
Passion. Technology. Design.

Warning

Intended use

This Comelit product has been designed and manufactured for use in the creation of audio and video communication systems in residential, commercial, industrial and public buildings.

Installation

All activities connected to the installation of Comelit products must be carried out by qualified technical personnel, with careful observation of the indications provided in the Manuals / Instruction sheets supplied with those products.

Wires

Disconnect the power supply before carrying out any operations on the wiring.

Use wires with a cross-section suited to the distances involved, observing the instructions provided in the system manual.

We advise against running the system wires through the same duct as power cables (230V or higher).

Safe usage

To ensure Comelit products are used safely:

- carefully observe the indications provided in the Manuals / Instruction sheets,
- make sure the system created using Comelit products has not been tampered with / damaged.

Service

Comelit products do not require maintenance aside from routine cleaning, which should be carried out in accordance with the indications provided in the Manuals / Instruction sheets.

Any repairs must be carried out:

- for the products themselves, exclusively by **Comelit Group S.p.A.**,
- for the systems, by qualified technical personnel.

Disclaimer

Comelit Group S.p.A. does not assume any responsibility for

- any purpose other than the intended use,
- failure to observe the indications and warnings contained in this Manual / Instruction sheet.

Comelit Group S.p.A. reserves the right to change the information provided in this Manual / Instruction Sheet at any time and without prior notice.

Table of contents

Warning	2
Description	4
UT1020	4
UT1010VC	4
Installation notes (Art. UT1020)	6
Technical specifications	7
Art. UT1020	7
Art. UT1010VC	8
Installation	9
Flush-mounted installation composition table.....	9
Surface-mounted installation composition table.....	9
Flush-mounted installation	10
Removing nameplates (2A) / module (2B).....	11
Installation with side-by-side boxes.....	12
Wall-mounted installation	13
Optional	13
Removing nameplates (2A) / module (2B).....	14
Installation with side-by-side boxes.....	15
Connections	16
Connections for UT1020, UT1010VC	16
Variants	16
Remote camera connection (Art. UT1010VC only).....	17
Module connection	18
Connection of button modules Art. UT9200.....	18
Connection of Touchscreen module Art. UT9270.....	18
Connection of number keypad module Art. UT9279M.....	19
Programming	20
Configuring the button type to maintain during normal operation (single/dual)	20
Address button modules	20
Program call addresses.....	20
Smart programming of consecutive addresses	21
Programming of specific addresses	22
Special programming via DIP Switch	23
Special programming table	24
Twilight sensor	26
Camera LED lighting and button backlighting management.....	26
Checking twilight sensor operation	27
Adjusting the brightness of the button LEDs and the camera light ..	28
Light-me function	29
Light-me function behaviour on the basis of the LED backlighting mode.....	29
Replacing the audio/video module with programming restore backup	30
Configuring via PC	31
Errors and indications	31
System performance and layouts	31
Addressing table	32

Description



UT1020

Audio/video module for Ultra entrance panel, Simplebus1 system. For use in systems with power supply unit art.1595 and art. 4888C. Wide-angle colour video camera (field of vision: 120° horizontal, 90° vertical)



UT1010VC

Audio module designed for connection of an analogue remote camera with PAL standard for Ultra entrance panel, Simplebus1 system. To be used in systems with power supply unit art. 1595 and art. 4888C.

Easy to install and simple to configure, thanks to the smart programming of call buttons.

Twilight sensor for automatic nameplate backlighting switch-off during daylight hours.

Omnidirectional digital microphone and double loudspeaker for high-fidelity audio.

Audio-visual indications for disabled individuals assistance request can be activated via programming.

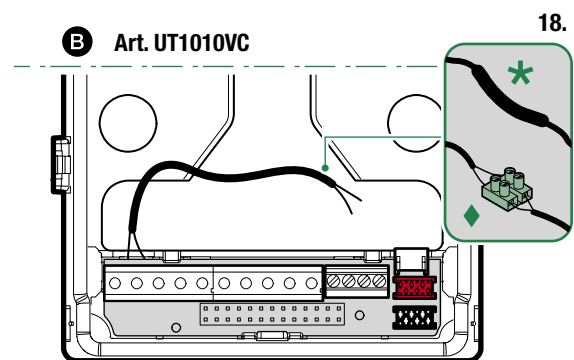
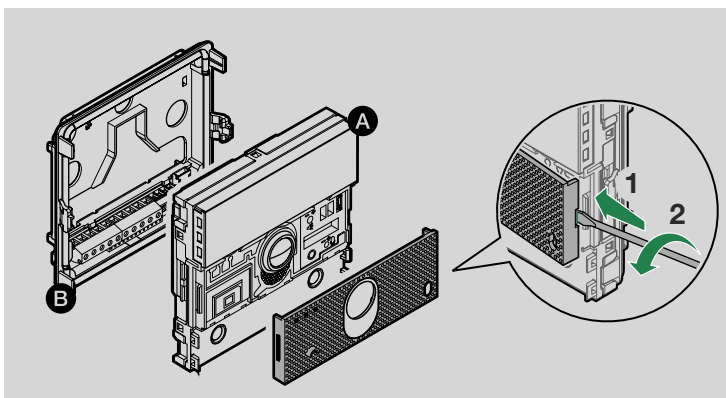
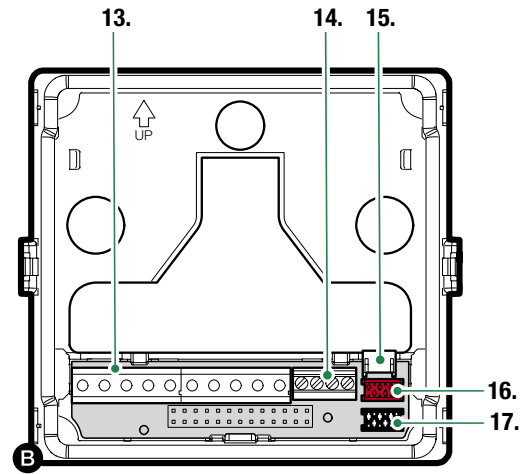
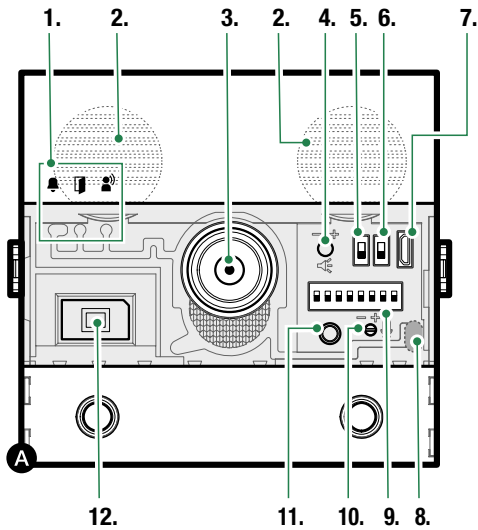
Facility for 2 call buttons. To be finished with cap, single button or dual button made using aluminium or professional grade plastic treated to prevent yellowing and dulling.

Adjustment and programming can take place without removing the module.

Dimensions: 100 x 90 x 35 mm.

ULTRA: the new and most technologically advanced entrance panel offering maximum ease of installation.

Available in flush-mounted (10 mm protrusion from the wall) or surface-mounted (just 35 mm protrusion from the wall) variants.



1. Indicator LEDs

- call sent (green) / system busy (red)
- lock-release enabled
- communication enabled

2. Loudspeakers

3. Colour video camera (with Art. UT1020 only)

4. Speaker volume control #

5. S1 Button programming selector

6. S2 Special programming selector

7. Micro USB input for programming via computer

8. Twilight sensor

9. Addressing and programming Dip Switches

10. Microphone volume control #

11. Programming confirmation button #

12. Digital microphone

13. Terminal block for connection:

- RTE** programmable RTE (local lock-release input) or DO input (door open indication)
- GND** RTE or DO input reference negative
- IF** door lock reference negative
- NO NC COM** relay contacts
- V- V+** power supply
- LL** bus line connection

14. Ethernet terminal block, only for use in case of additional modules with LAN

15. Connector for additional modules with LAN

16. 17. Connector for additional module connection

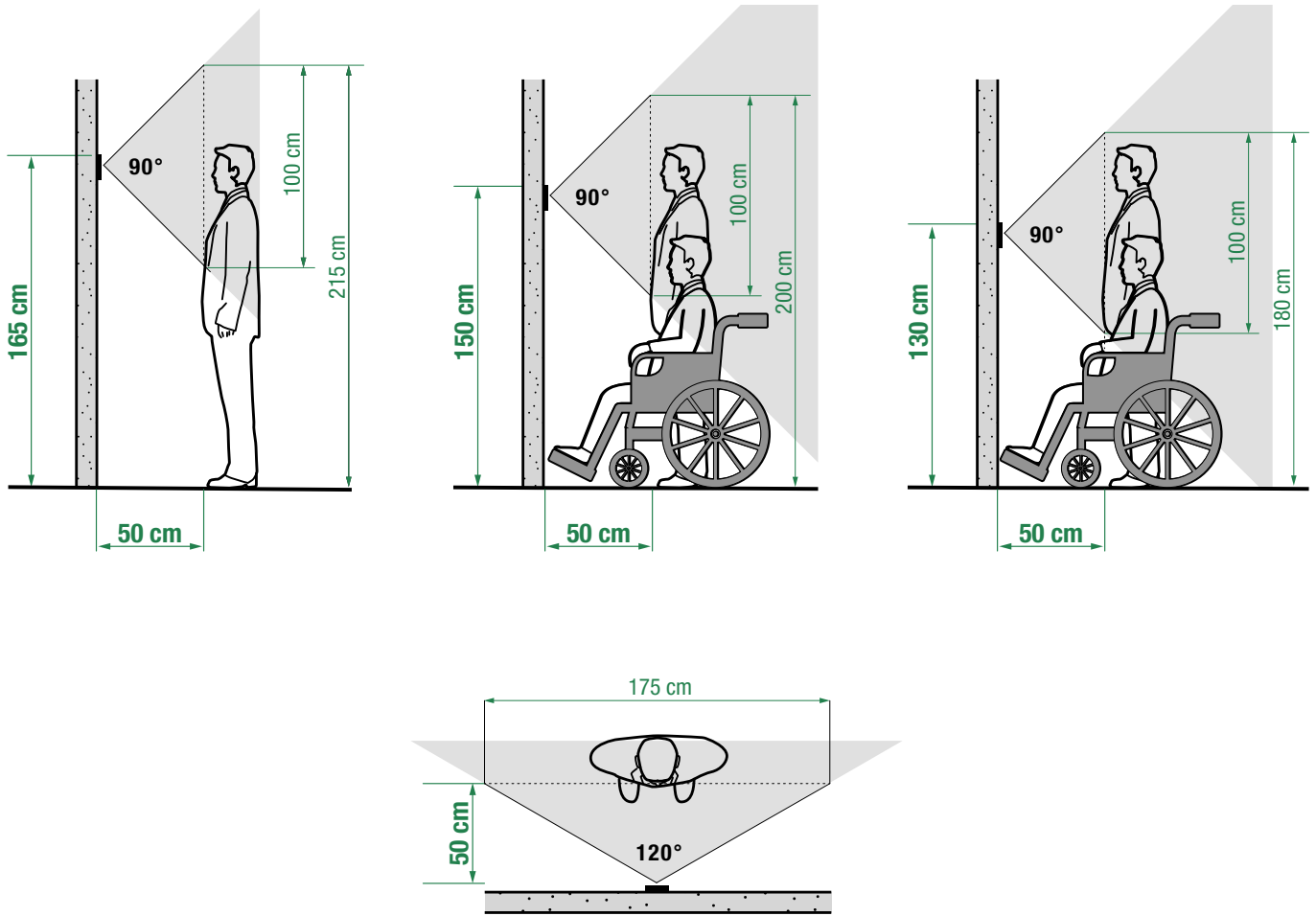
18. Remote camera connection (with Art. UT1010VC only):

- ◆ in flush-mounted installations, use the terminal;
- ★ in surface-mounted installations, solder the wires and use the heat-shrink sheath.

Use screwdriver supplied



Installation notes (Art. UT1020)



The camera must not be installed in front of light sources, or in places where the filmed subject is against the light. In dim environments, we recommend additional lighting is provided.

Technical specifications

Art. UT1020

GENERAL DATA	
Type	Modular
Product height (mm)	90
Product width (mm)	100
Product depth (mm)	35
Product weight (g)	275
Product colour	Black RAL9005, Transparent, Aluminium
Coating material type	Polycarbonate, Aluminium alloy
Flush mounting	Yes, with specific accessory
Surface mounting	Yes, with specific accessory
COMPATIBLE SYSTEMS	
Simplebus 2 audio/video with power supply unit art. 4888C	Yes
AUDIO SPECIFICATIONS	
Microphone	MEMS digital audio sensor, omnidirectional
Loudspeaker	28 mm (Ø), 8 Ohm, 1W (2)
Technologies implemented	Full-Duplex
CAMERA FEATURES	
Camera	Colour
Sensor type	1/3" CMOS
Lens (mm)	1.79
Viewing angle (H x V - °)	120 x 90
Sensitivity (lux)	0.45
Resolution (H x V - pixel)	1288 x 968
ELECTRICAL SPECIFICATIONS	
Type of power supply	External power supply
Power supply voltage	33 VDC
Absorption in standby (W)	1.5
Maximum absorption (W)	6
HARDWARE CHARACTERISTICS	
Call type	Buttons
Type of buttons	Mechanical
Number of buttons (no.)	2
Backlighting colour	White, Off
Terminals	L L V+ V- COM NC NO SE GND RTE TX- TX+ RX- RX+
Number of inputs (no.)	1
Number of outputs (no.)	2
Output type	Relay (C-NO-NC, 4A@12-24 VAC/VDC, inrush current 10A)
Communication port	Micro-USB
Twilight sensor	Yes
SETTINGS	
Loudspeaker volume	Yes
Mic volume	Yes
Backlighting brightness	Yes
PROGRAMMING MODE	
Manual (by means of Dip Switch)	Yes
ViP Manager software	Yes
ENVIRONMENTAL AND CONFORMITY SPECIFICATIONS	
IP protection rating (when installed)	IP65
IK anti-vandal protection rating	IK08
Operating temperature (°C)	-25 to 55
Operating humidity (max RH - %)	25 to 95
Environmental class	IV
Conformity and Certifications	RoHS II - 2011/65/EU (EN 50581:2012), EMC 2014/30/EU (EN 61000-6-1:2007, EN 61000-6-3:2007+A1:2011)
MAIN FUNCTIONS	
Lock-release	Yes
Number of auxiliary relays (no.)	1
Input for local key button	Yes
Input for door open signal	Yes
System status visual indications	Yes
System status audio indications	Yes
System status voice synthesis	Yes

Art. UT1010VC

GENERAL DATA

Type	Modular
Product height (mm)	90
Product width (mm)	100
Product depth (mm)	35
Product weight (g)	275
Product colour	Black RAL9005, Transparent, Aluminium
Coating material type	Polycarbonate, Aluminium alloy
Flush mounting	Yes, with specific accessory
Surface mounting	Yes, with specific accessory

COMPATIBLE SYSTEMS

Simplebus 2 audio/video with power supply unit art. 4888C	Yes
---	-----

AUDIO SPECIFICATIONS

Microphone	MEMS digital audio sensor, omnidirectional
Loudspeaker	28 mm (Ø), 8 Ohm, 1W (2)

ELECTRICAL SPECIFICATIONS

Type of power supply	External power supply
Power supply voltage	33 VDC
Absorption in standby (W)	1.5
Maximum absorption (W)	4

HARDWARE CHARACTERISTICS

Call type	Buttons
Type of buttons	Mechanical
Number of buttons (no.)	2
Backlighting colour	White, Off
Terminals	L L V+ V- COM NC NO SE GND RTE TX- TX+ RX- RX+
Number of inputs (no.)	1
Number of outputs (no.)	2
Output type	Relay (C-NO-NC, 4A@12-24 VAC/VDC, inrush current 10A)
Communication port	Micro-USB
Twilight sensor	Yes

SETTINGS

Loudspeaker volume	Yes
Mic volume	Yes
Backlighting brightness	Yes

PROGRAMMING MODE

Manual (by means of Dip Switch)	Yes
VIP Manager software	Yes

ENVIRONMENTAL AND COMPLIANCE SPECIFICATIONS

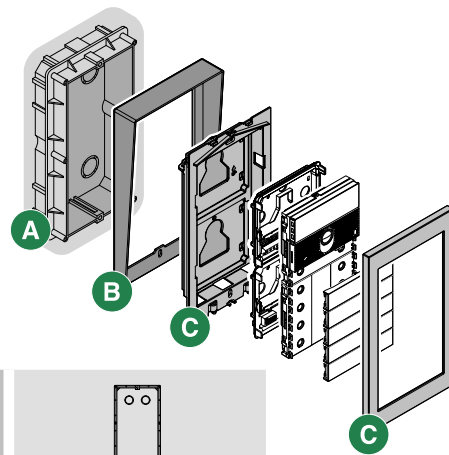
IP protection rating (when installed)	IP65
IK anti-vandal protection rating	IK08
Operating temperature (°C)	-25 to 55
Operating humidity (max RH - %)	25 to 95
Environmental class	IV
Conformity and Certifications	RoHS II - 2011/65/EU (EN 50581:2012), EMC 2014/30/EU (EN 61000-6-1:2007, EN 61000-6-3:2007+A1:2011)

MAIN FUNCTIONS

Lock-release	Yes
Number of auxiliary relays (no.)	1
Input for local key button	Yes
Input for door open signal	Yes
System status visual indications	Yes
System status audio indications	Yes
System status voice synthesis	Yes

Installation

The entrance panel is available in flush-mounted or surface-mounted variants:



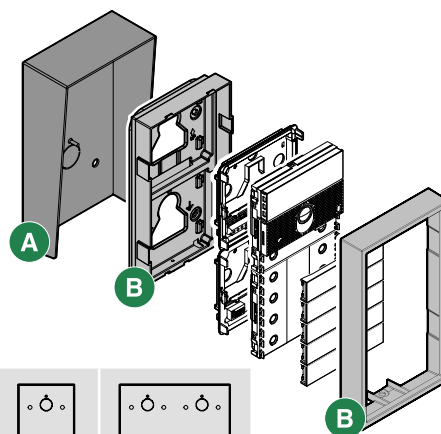
Flush-mounted installation composition table

A = Flush-mounted box

B = Rain shield #

C = Flush-mounted module holder with finishing frame

Flush-mounted box								
	3110/1 3110/1A	3110/2 3110/2A	3110/3 3110/3A	3110/4 3110/4A				
Rain shield								
	UT9181	UT9182	UT9184H	UT9183	UT9186	UT9189	UT9184	UT9188
Module holder/ finishing frame								
	UT9161	UT9162	UT9163	UT9164				



Surface-mounted installation composition table

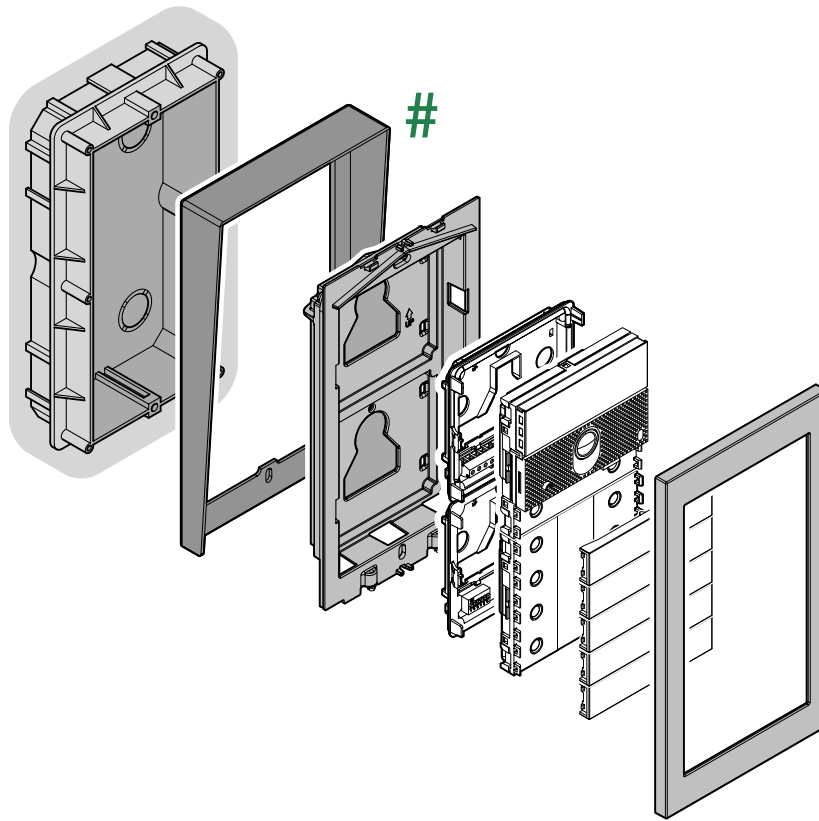
A = Rain shield #

B = Surface-mounted housing with frame

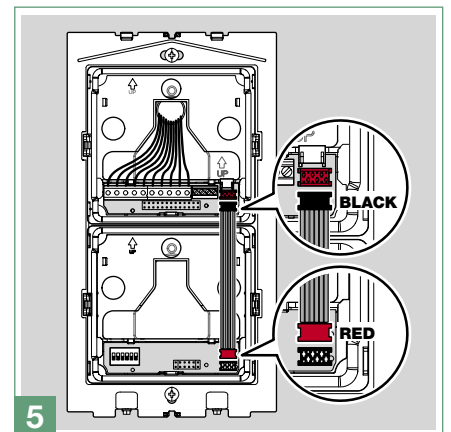
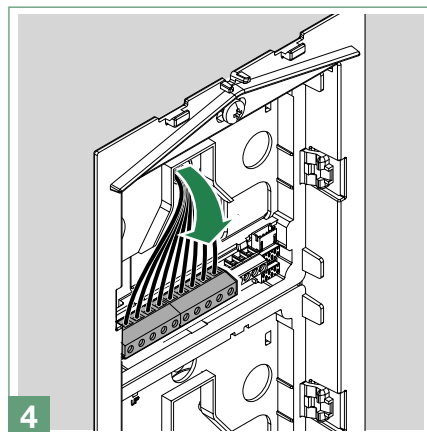
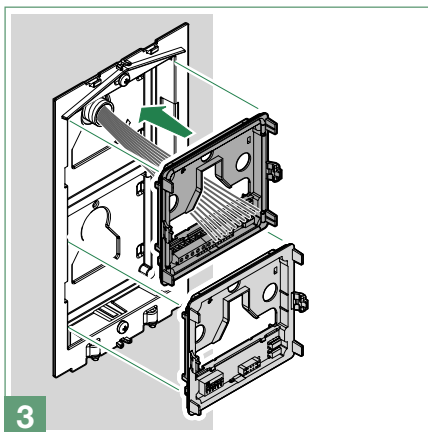
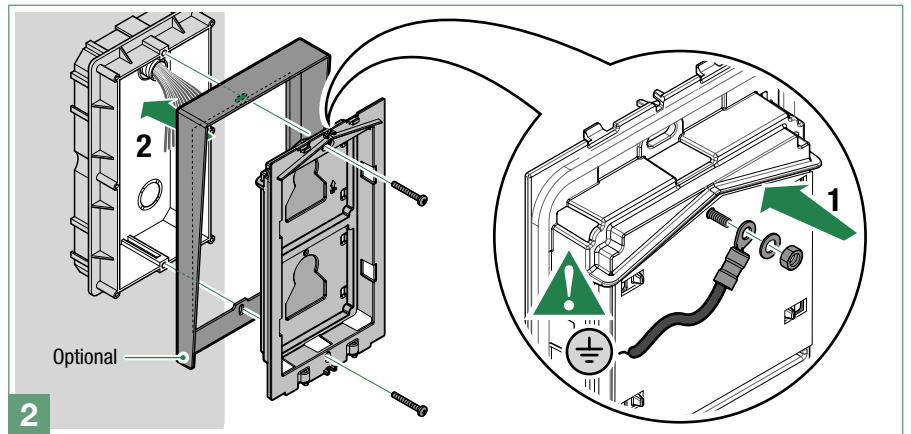
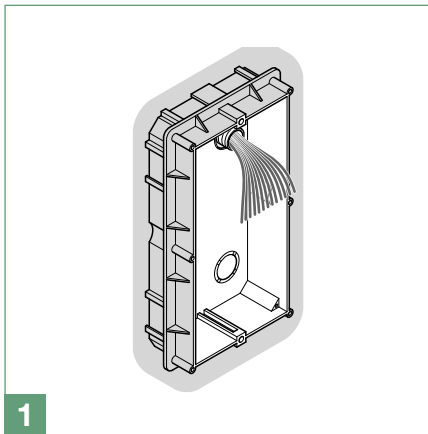
Rain shield								
	UT9191	UT9192	UT9194H	UT9193	UT9196	UT9199	UT9194	UT9198
Housing/frame								
	UT9171	UT9172	UT9174H	UT9173	UT9176	UT9179	UT9174	UT9178

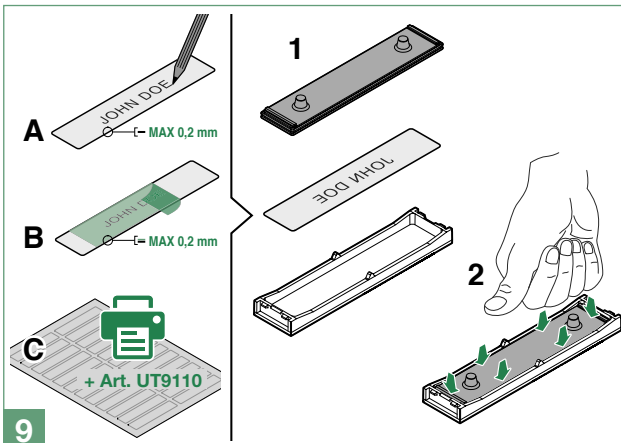
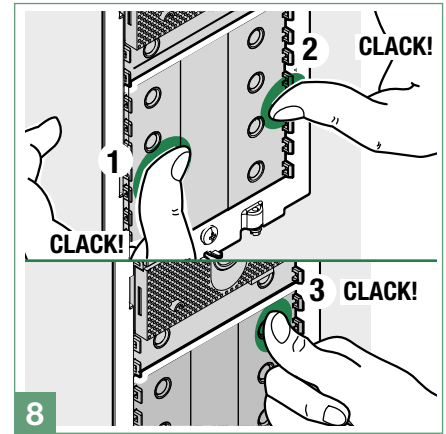
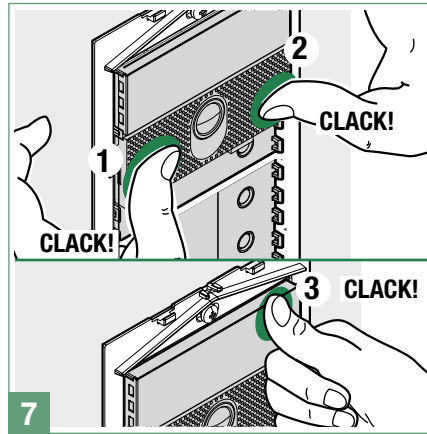
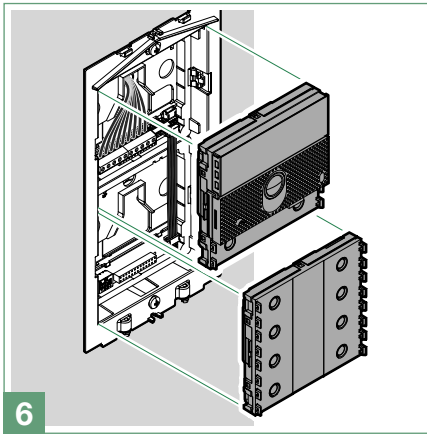
Optional

Flush-mounted installation



Optional



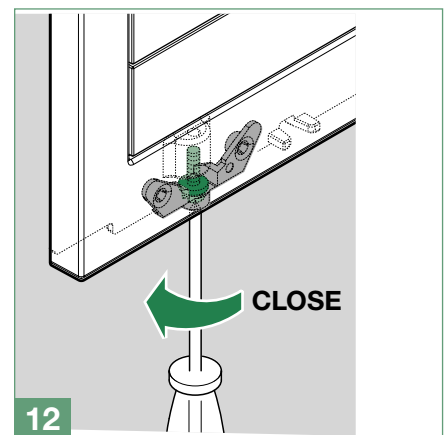
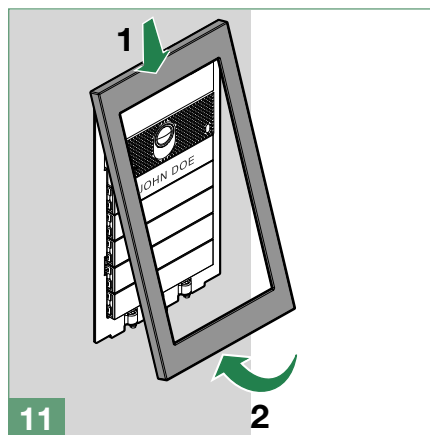
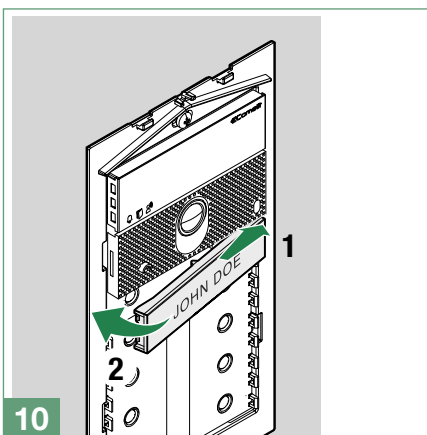


The button has a nameplate which can be written on (A); alternatively, an adhesive label can be applied (B).

The total thickness of the nameplate + adhesive label must not exceed 0.2 mm.

You can visit the website pro.comelitgroup.com to download the PDF to print the entrance panel name cards, using the pre-cut sheets (C) available in our catalogue (Art. UT9110 *).

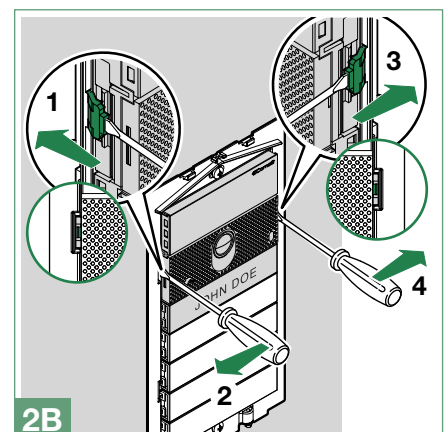
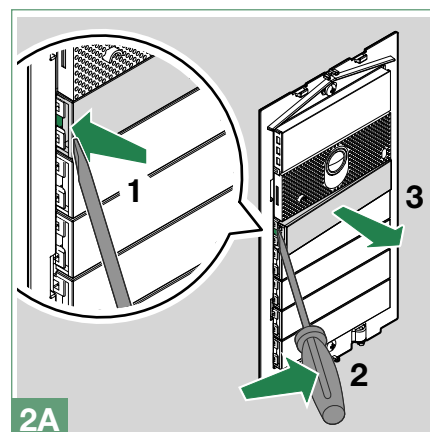
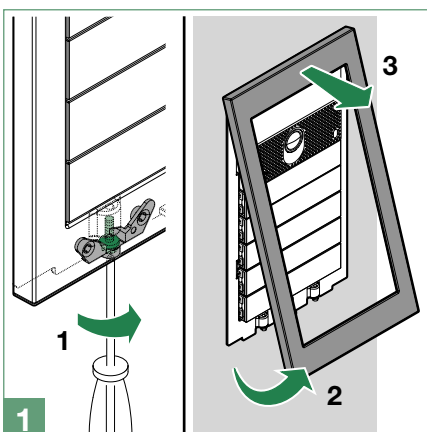
Custom engraved **Full Metal Ultra** nameplates are available on request. Find out how: <https://pro.comelitgroup.com/customised-nameplates-for-ultra-entrance-panel>



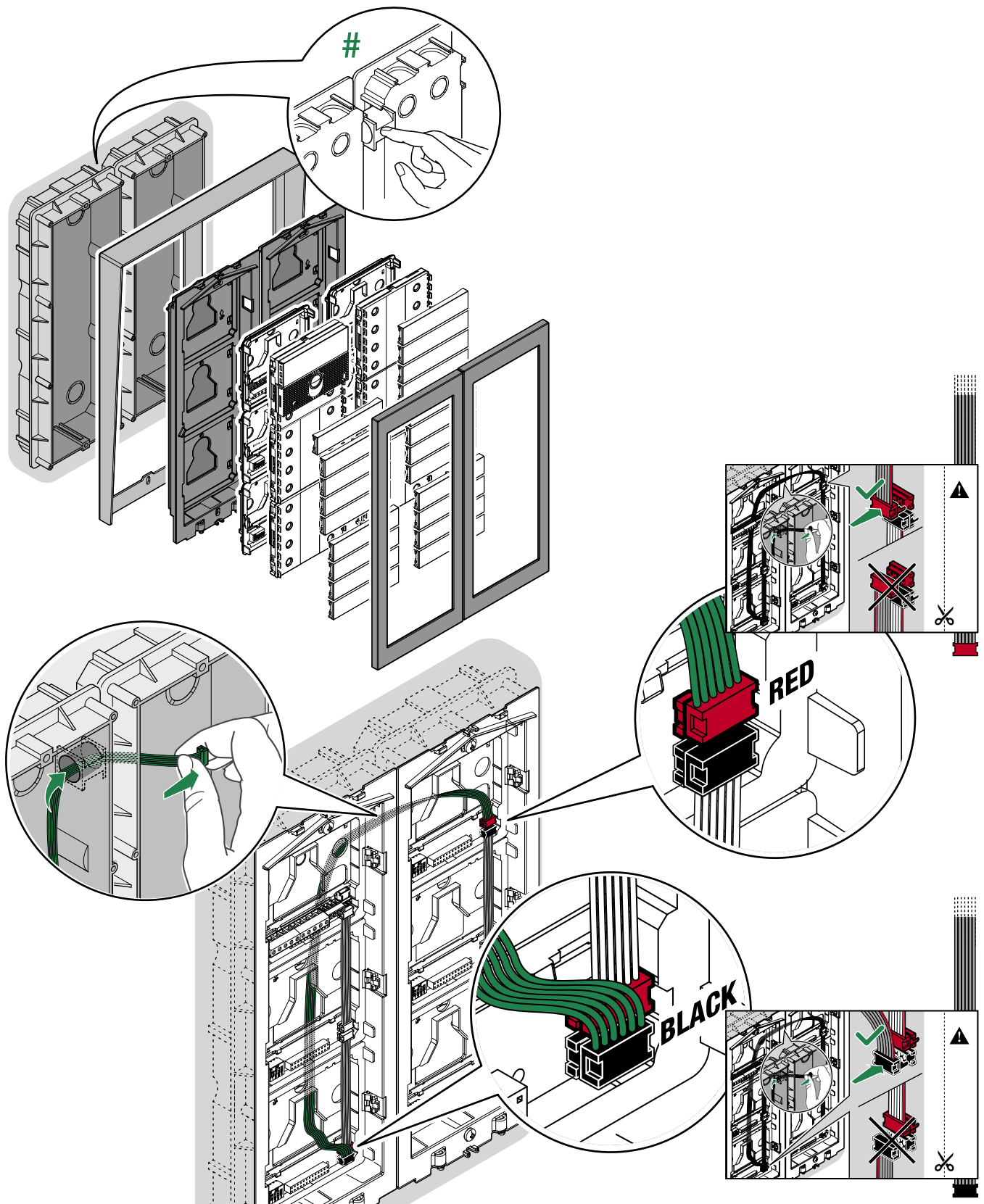
* Kit Art. **UT9110** contains 5 sheets of pre-cut labels for nameplates and 1 sheet for the information module.

The sheets are made using Yupo paper which offers the ultimate transparency and resistance to atmospheric agents over time. To print the labels, use the editable .pdf file which is available to download free of charge from the website pro.comelitgroup.com

Removing nameplates (2A) / module (2B)

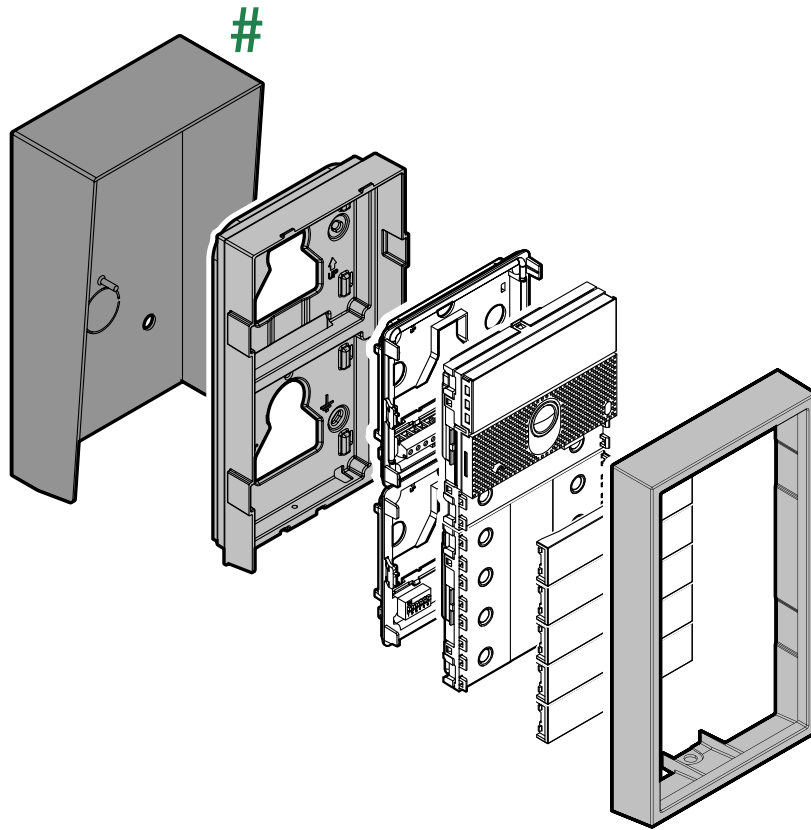


Installation with side-by-side boxes

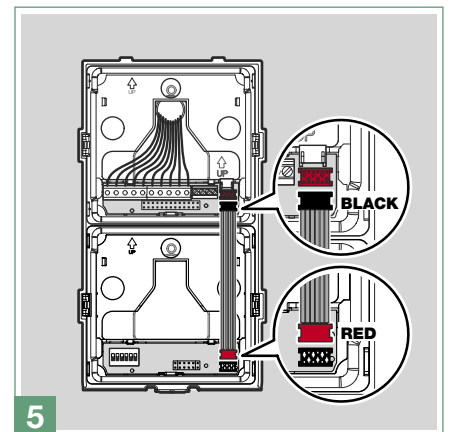
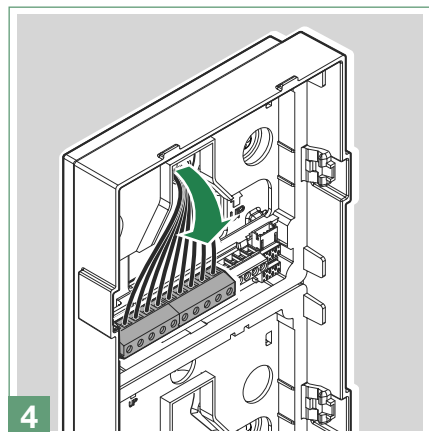
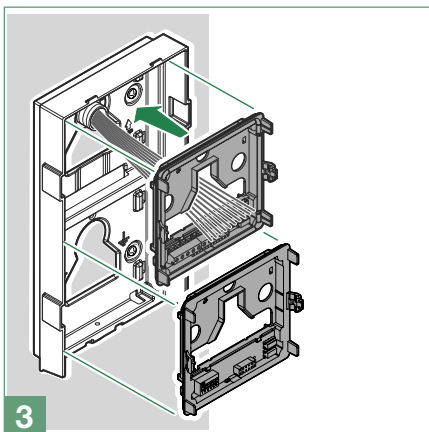
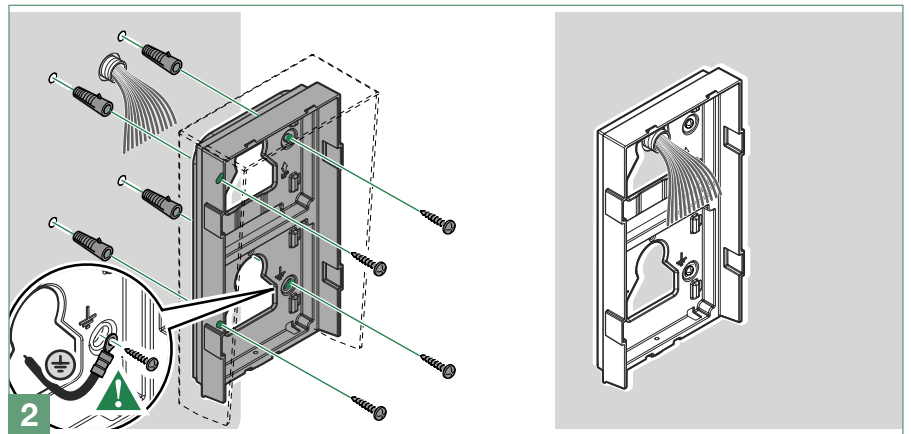
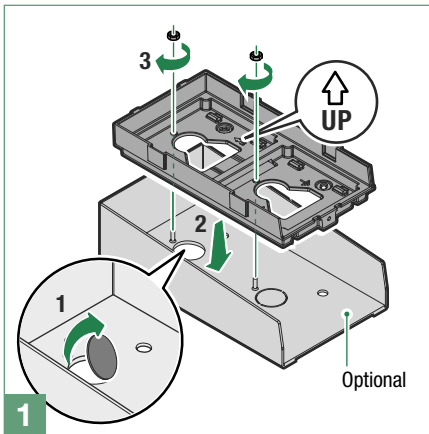


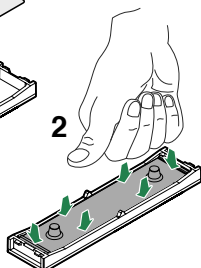
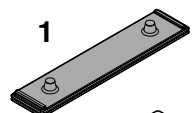
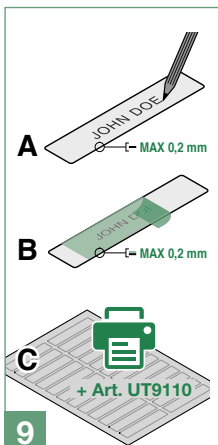
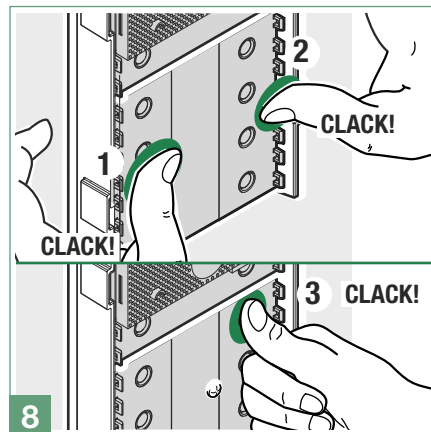
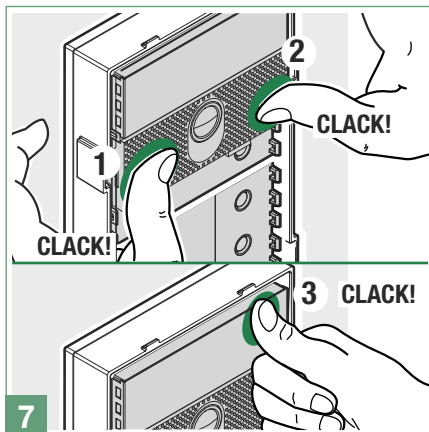
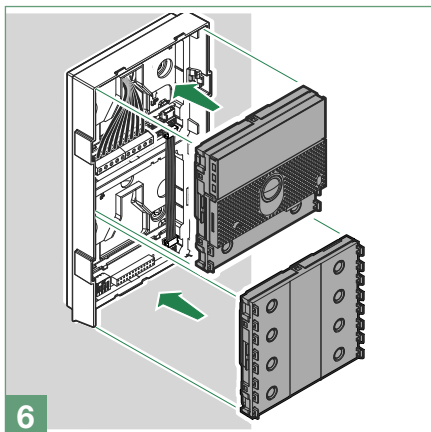
Before installing the boxes in the wall, fit the spacers.

Wall-mounted installation



Optional



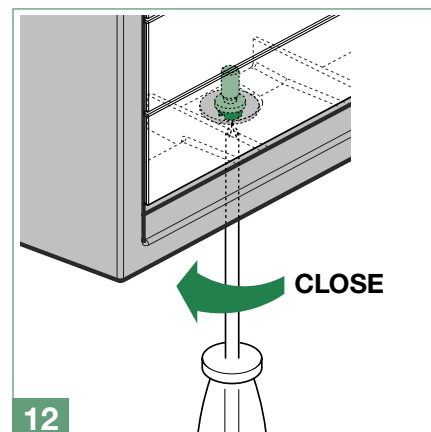
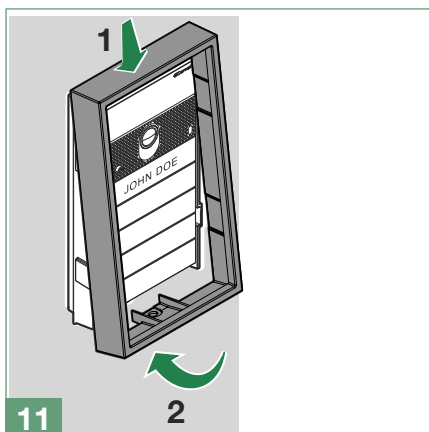
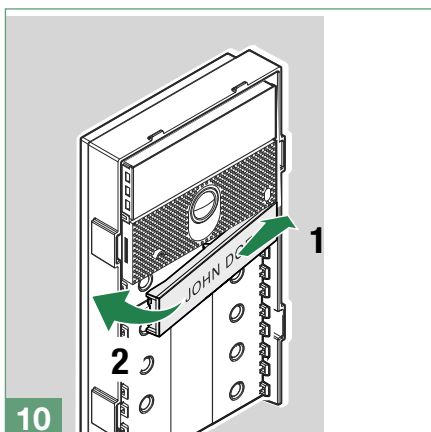


The button has a nameplate which can be written on (A); alternatively, an adhesive label can be applied (B).

The total thickness of the nameplate + adhesive label must not exceed 0.2 mm.

You can visit the website pro.comelitgroup.com to download the PDF to print the entrance panel name cards, using the pre-cut sheets (C) available in our catalogue (Art. UT9110 *).

Custom engraved **Full Metal Ultra** nameplates are available on request. Find out how: <https://pro.comelitgroup.com/customised-nameplates-for-ultra-entrance-panel>

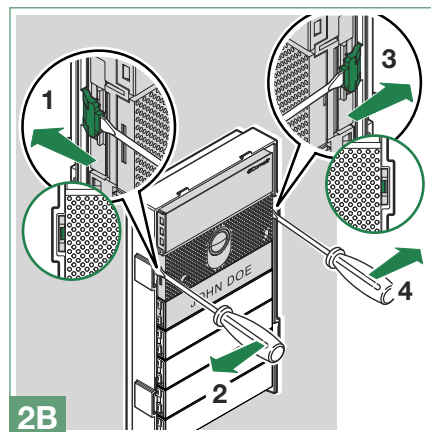
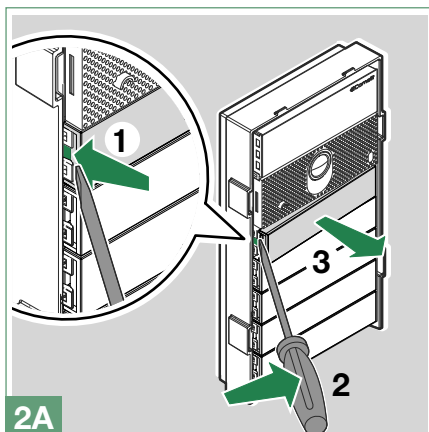
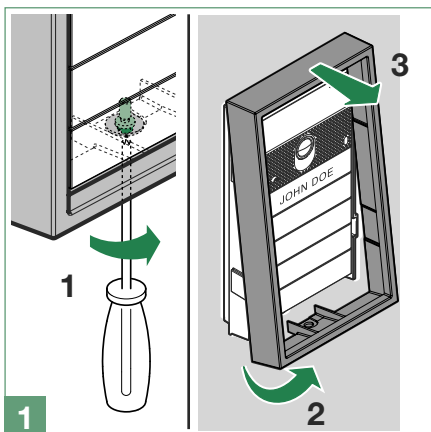


* Kit Art. **UT9110** contains 5 sheets of pre-cut labels for nameplates and 1 sheet for the information module.

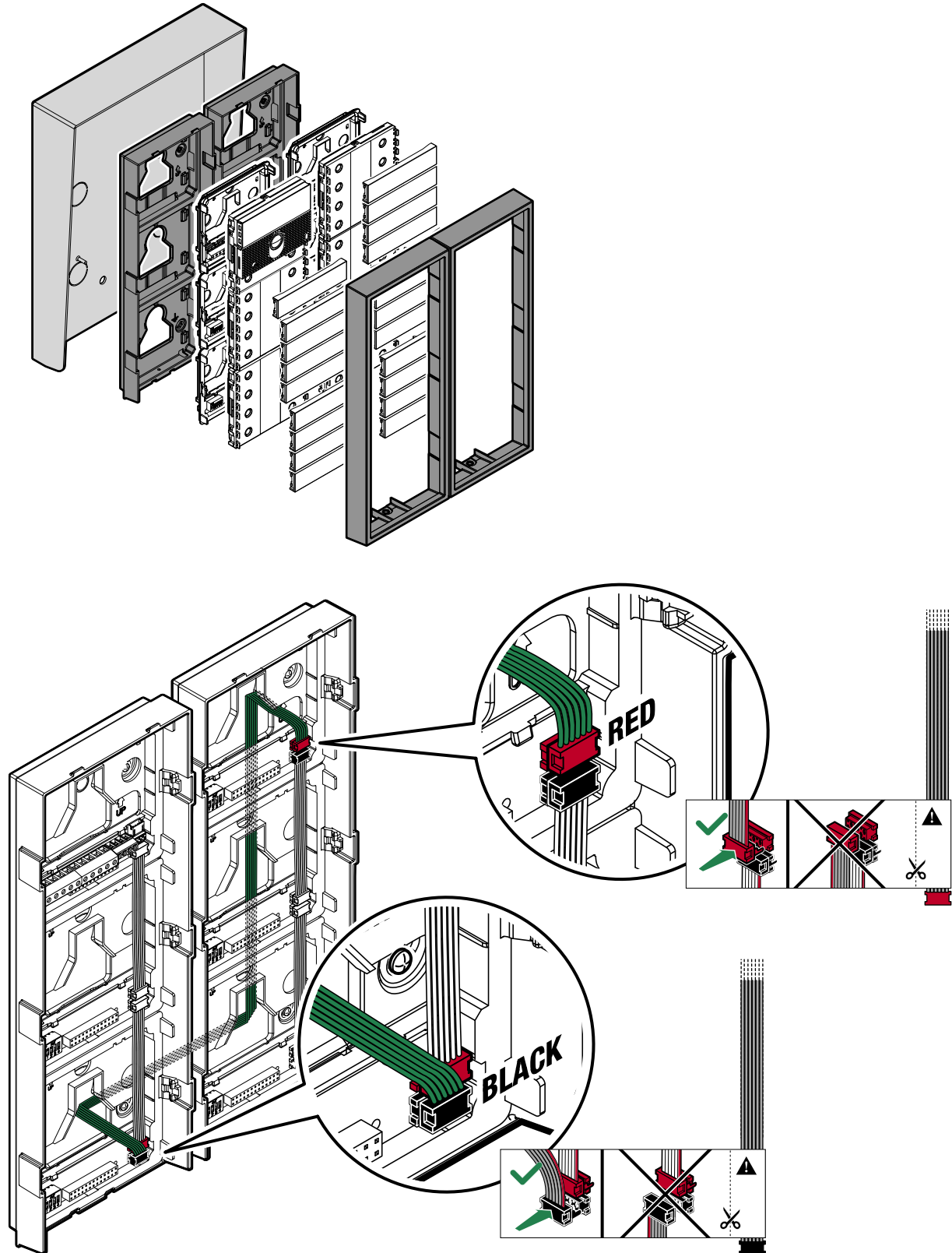
The sheets are made using Yupo paper which offers the ultimate transparency and resistance to atmospheric agents over time.

To print the labels, use the editable .pdf file which is available to download free of charge from the website pro.comelitgroup.com

Removing nameplates (2A) / module (2B)

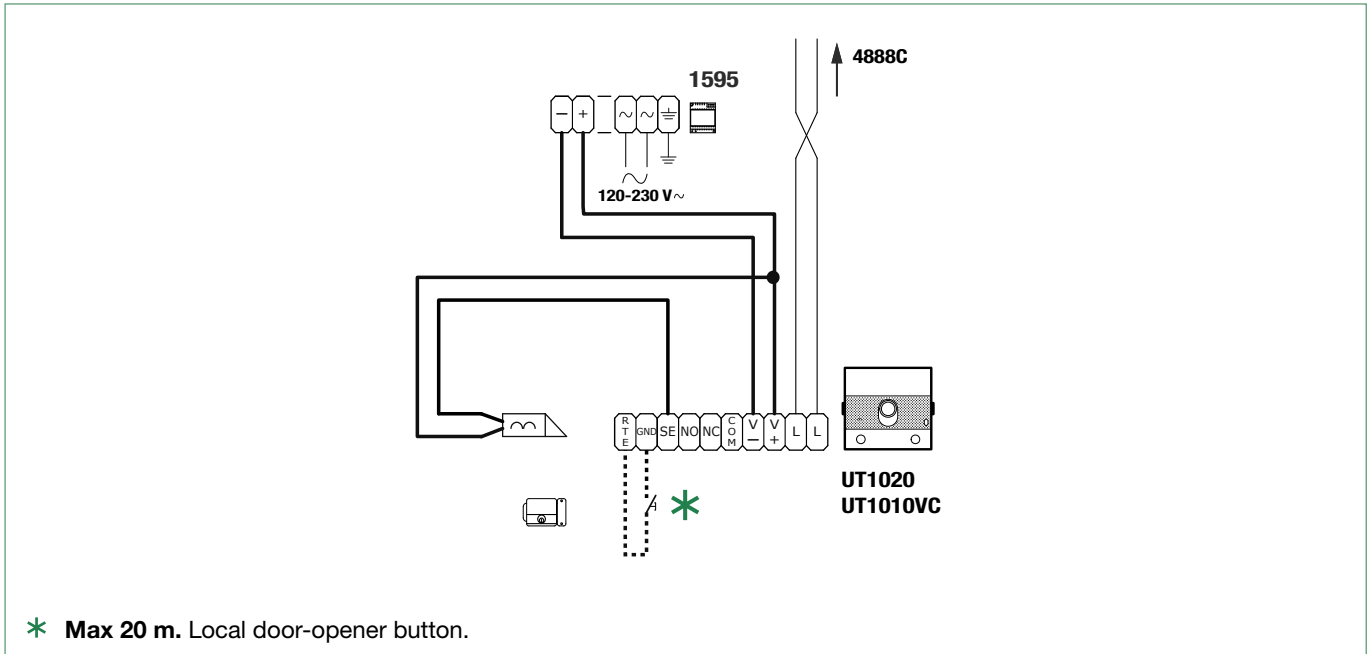


Installation with side-by-side boxes



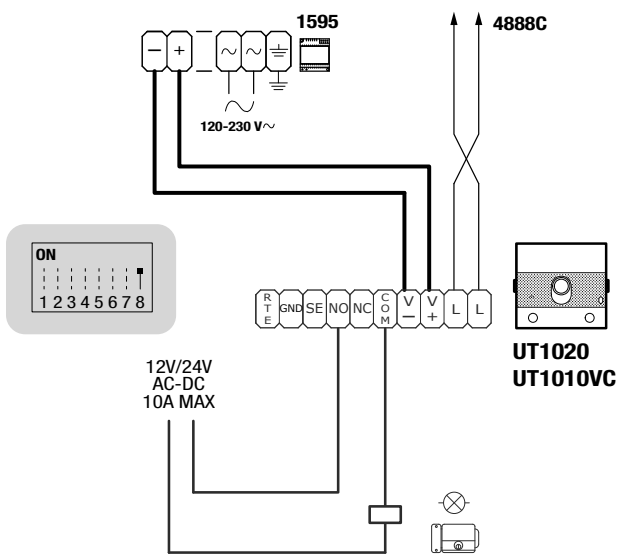
Connections

Connections for UT1020, UT1010VC



Variants

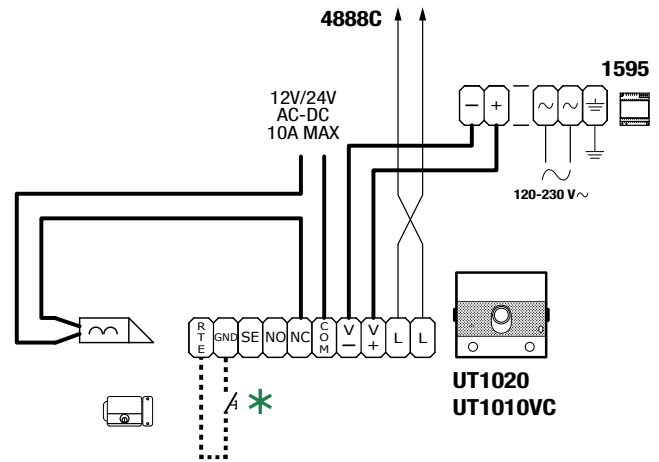
Variant for using the outdoor entrance panel relay



“C.NC.NO relay activation on actuator command:
2 sec”

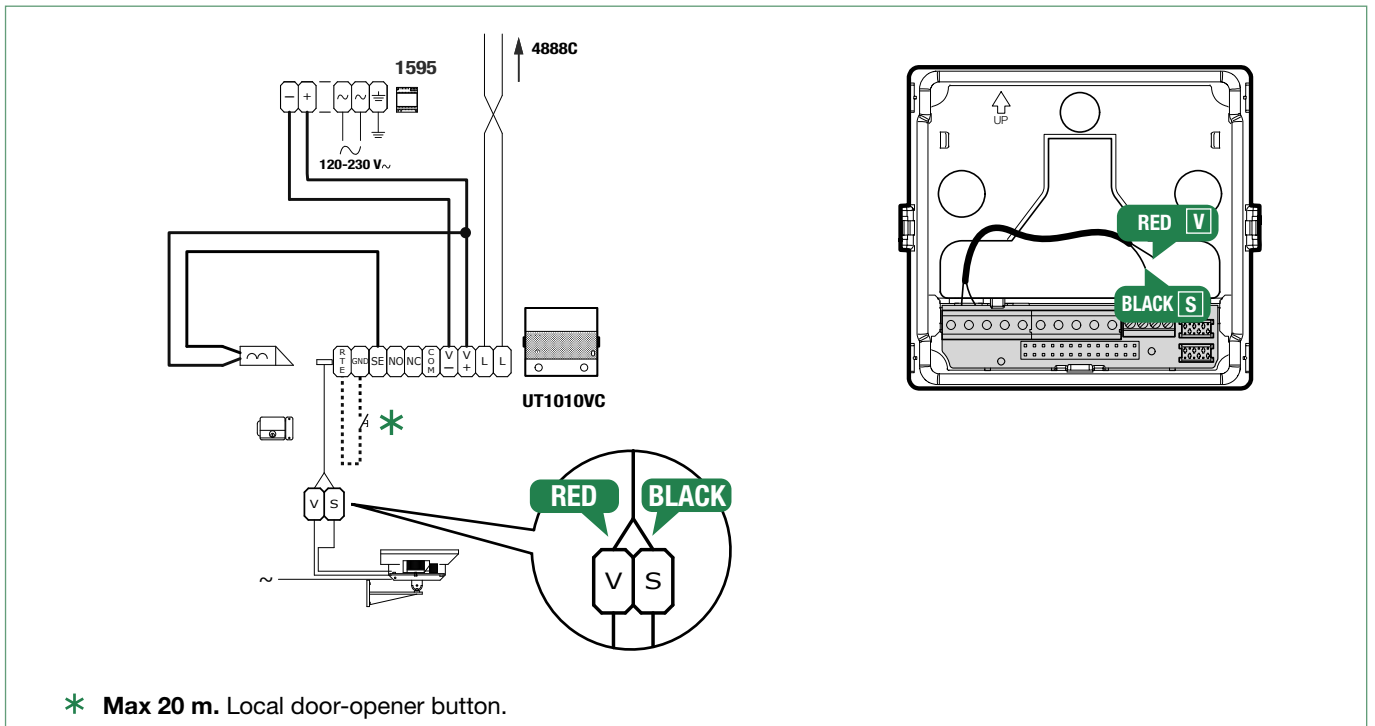
- ▶ Set DIP switch 8 to ON permanently (as shown in the figure)

Variant for using a safety door lock



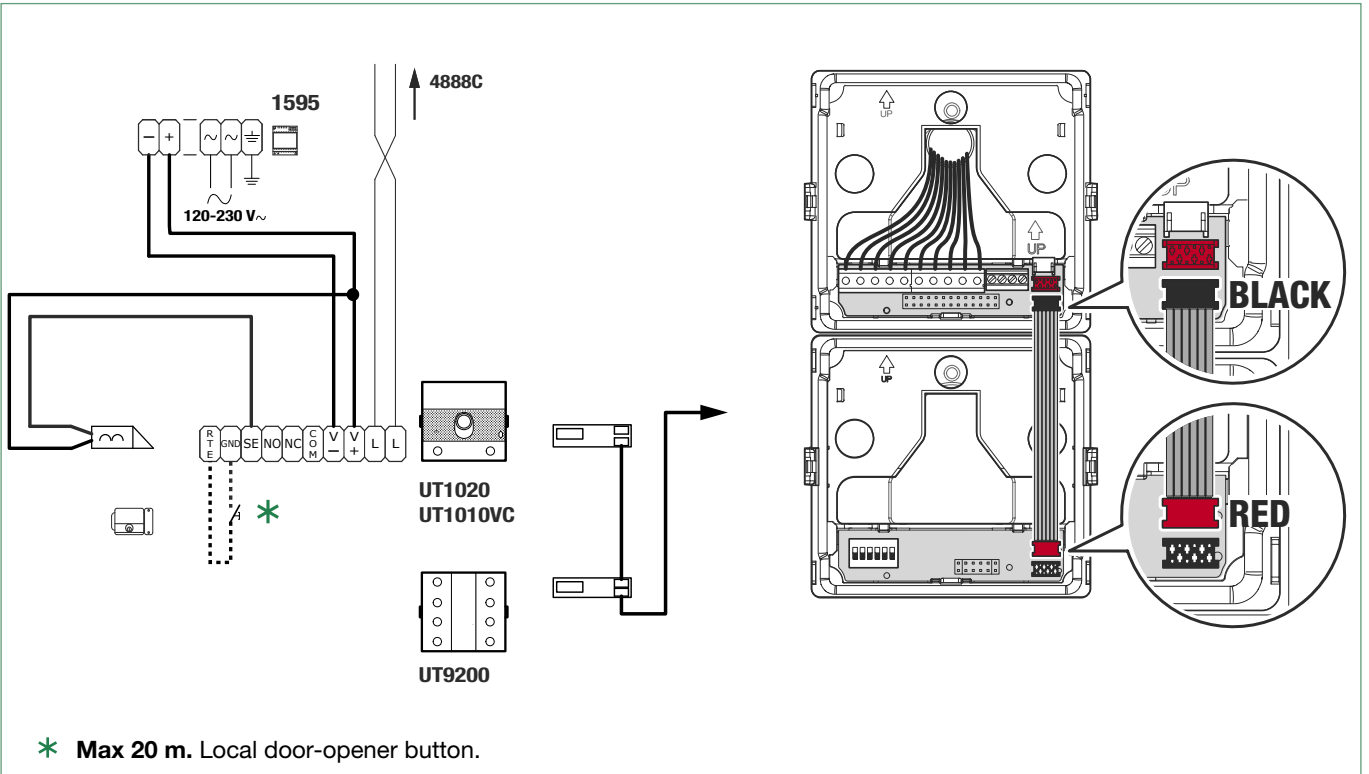
* Max 20 m. Local door-opener button.

Remote camera connection (Art. UT1010VC only)

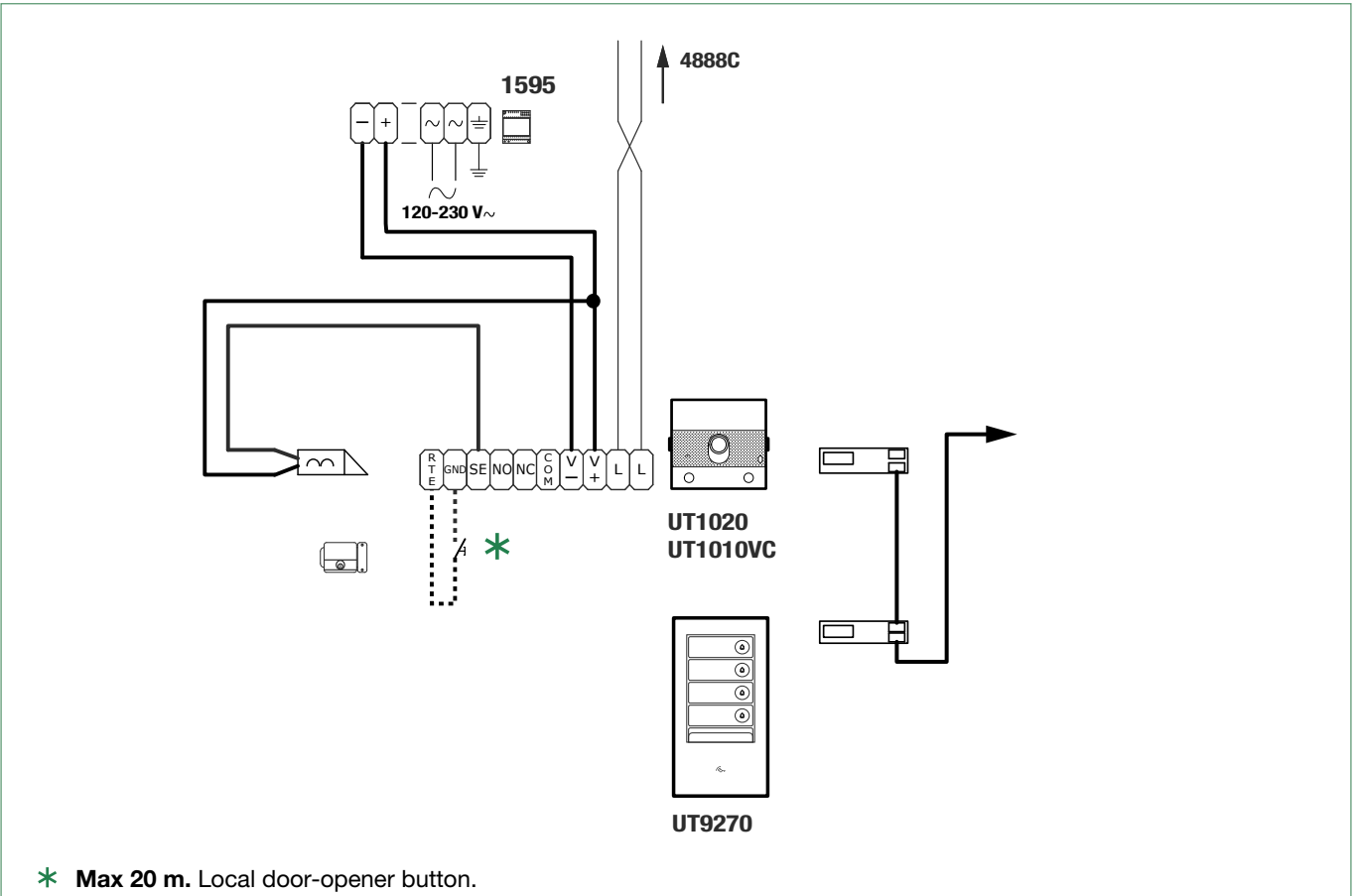


Module connection

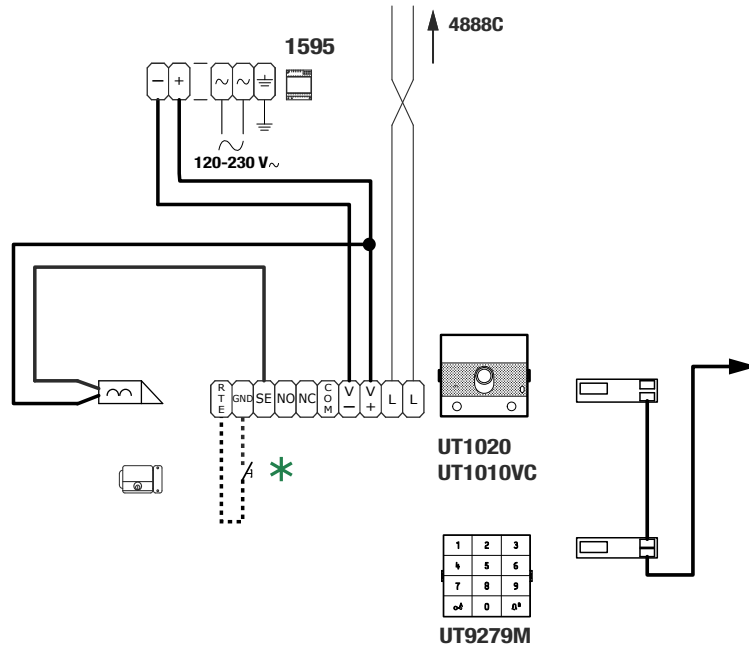
Connection of button modules Art. UT9200



Connection of Touchscreen module Art. UT9270



Connection of number keypad module Art. UT9279M



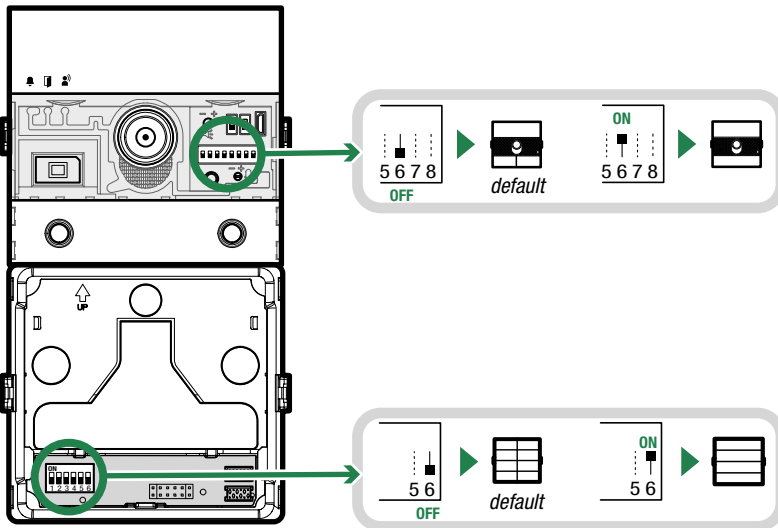
* Max 20 m. Local door-opener button.

Programming

For correct programming, follow the instructions below in order

- I. Configure button type
- II. Address button modules
- III. Program call addresses

I Configuring the button type to maintain during normal operation (single/dual)



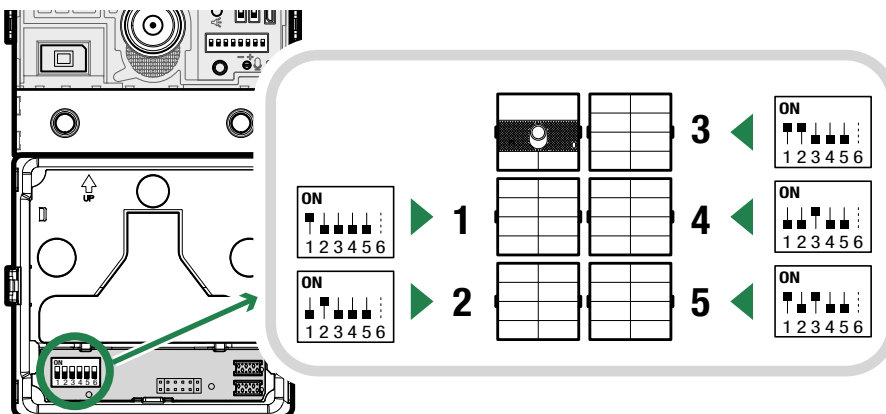
DIP 6: configuring button type:
 Single button (**DIP6 ON**).
 Dual button (**DIP6 OFF, default**).

DIP 6: configuring button type:
 Single button (**DIP6 ON**).
 Dual button (**DIP6 OFF, default**).

II Address button modules

DIP 1-5: addressing call button module (see TAB. A)

Addressing call button modules means that, in the event they are replaced, it is not necessary to reprogram the button addresses. All you need to do is assign the same address as before to the new module.



TAB. A

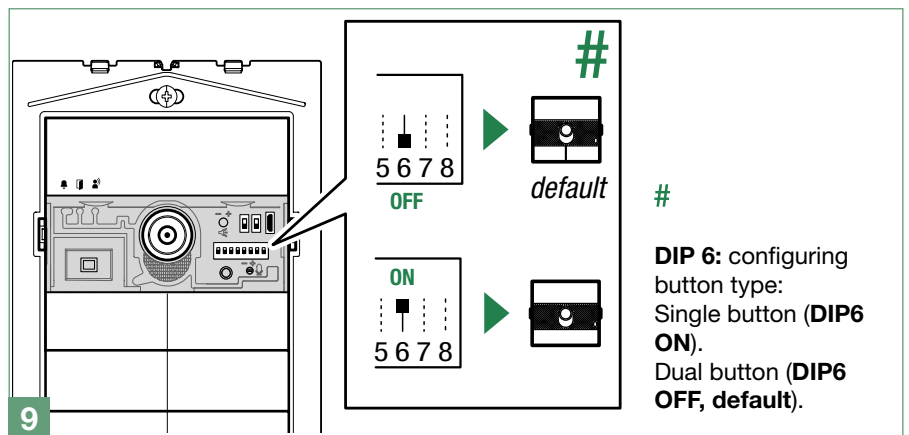
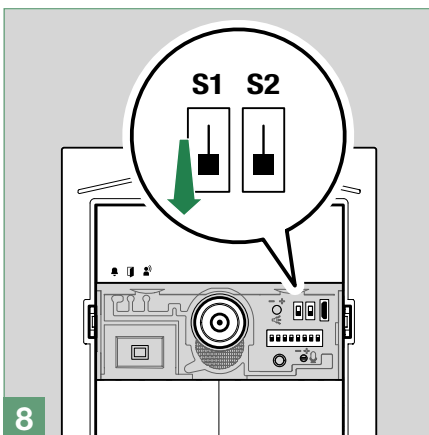
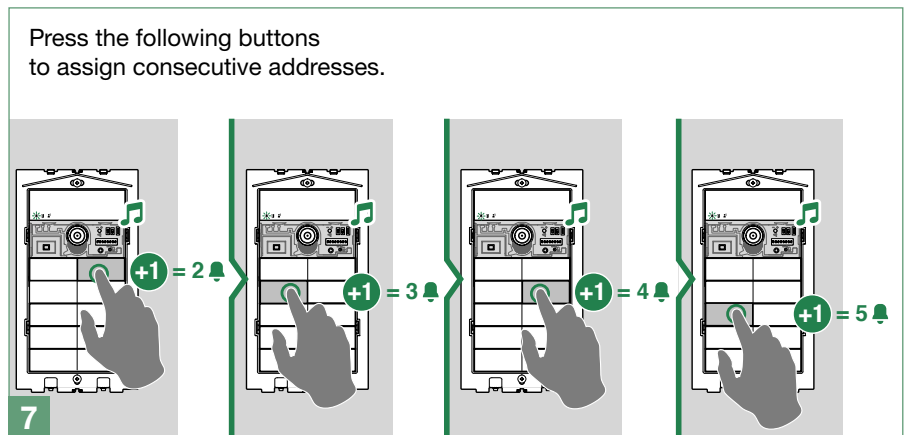
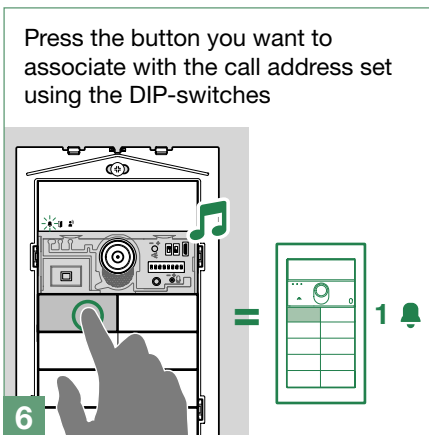
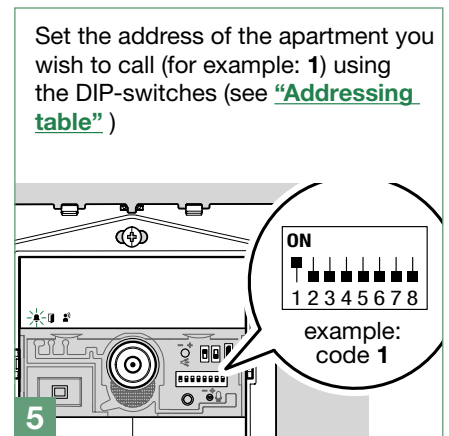
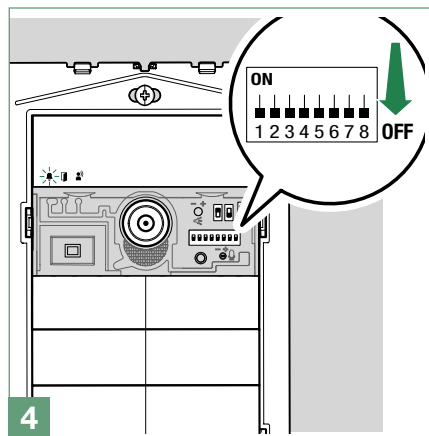
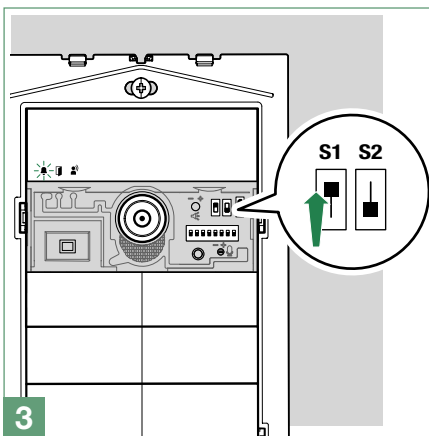
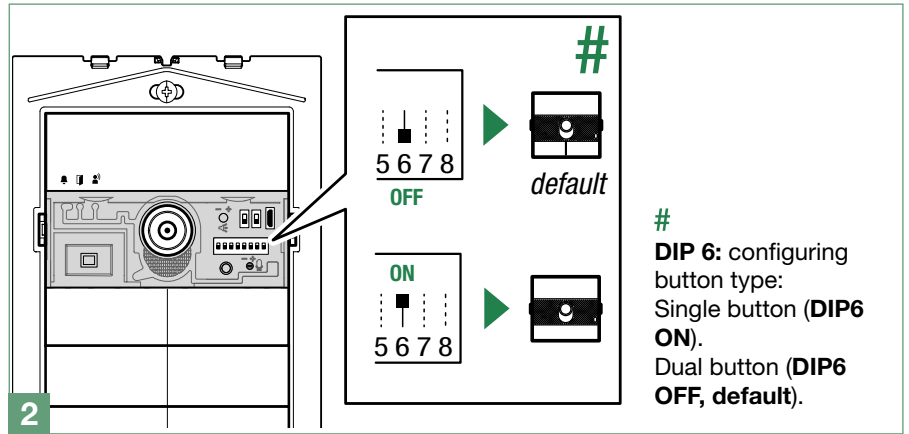
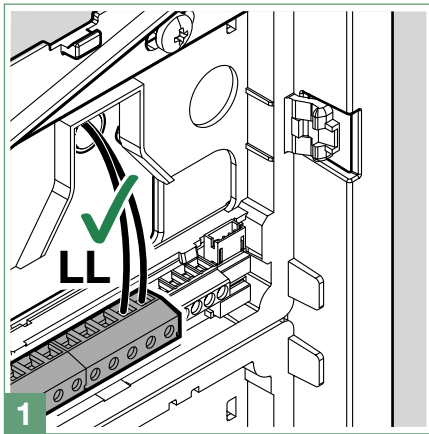
code	DIP ON				
1	1	12	3,4	23	1,2,3,5
2	2	13	1,3,4	24	4,5
3	1,2	14	2,3,4	25	1,4,5
4	3	15	1,2,3,4	26	2,4,5
5	1,3	16	5	27	1,2,4,5
6	2,3	17	1,5	28	3,4,5
7	1,2,3	18	2,5	29	1,3,4,5
8	4	19	1,2,5	30	2,3,4,5
9	1,4	20	3,5	31	1,2,3,4,5
10	2,4	21	1,3,5		
11	1,2,4	22	2,3,5		

III Program call addresses

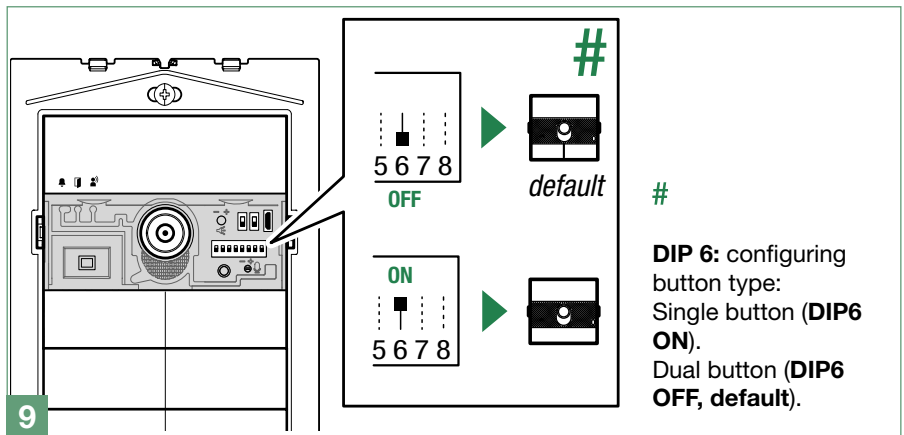
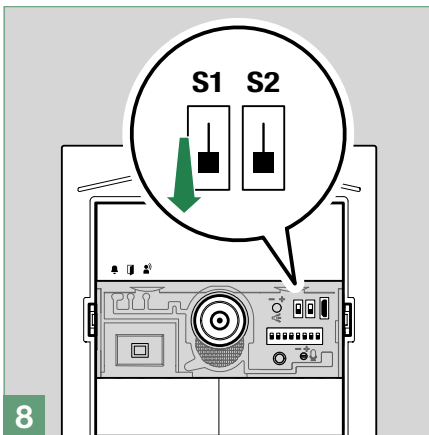
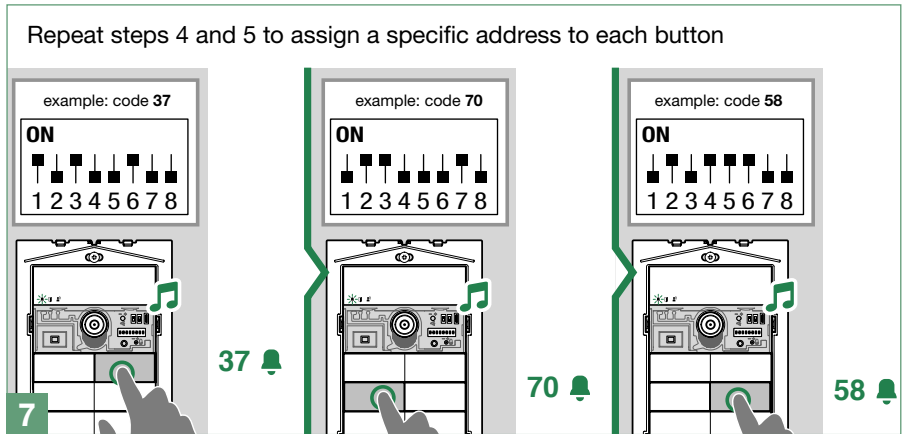
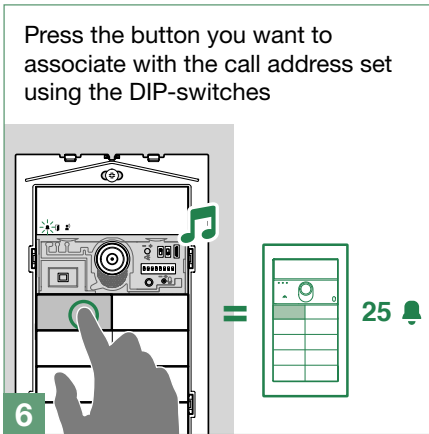
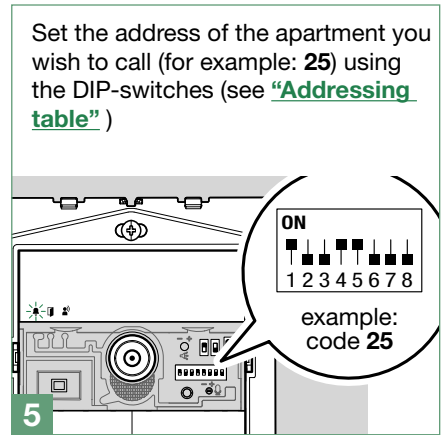
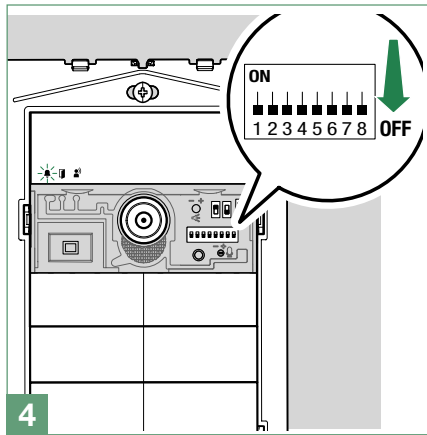
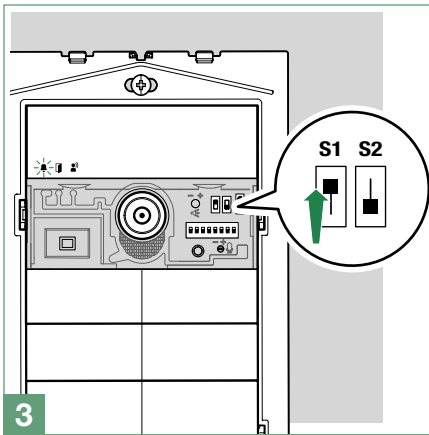
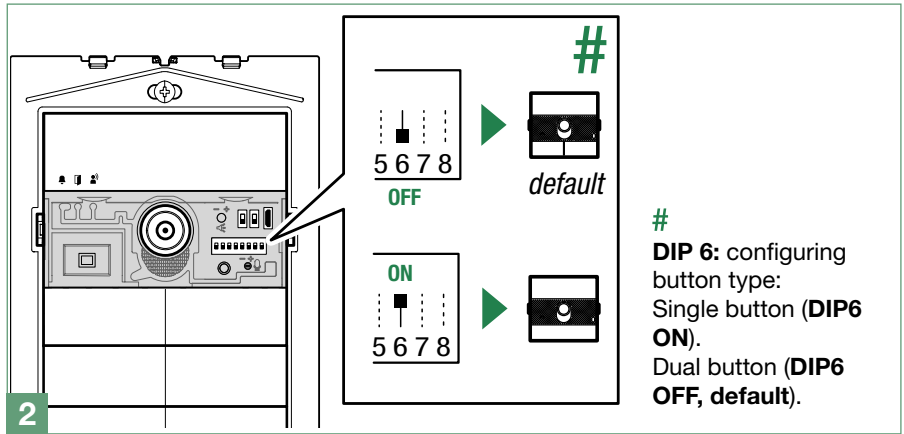
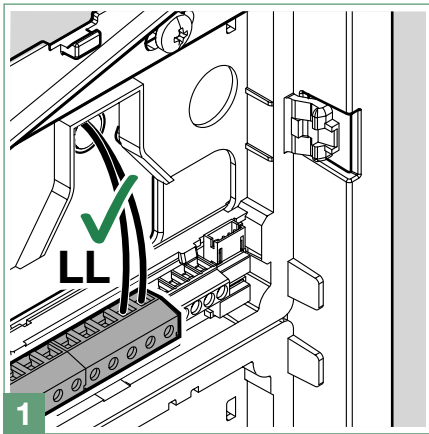
There are 2 programming methods:

- **Smart programming of consecutive addresses:** allows quick programming of buttons with consecutive addresses (e.g.: 1, 2, 3, 4)
- **Programming of specific addresses:** allows programming of specific addresses (e.g.: 25, 37, 70, 58)

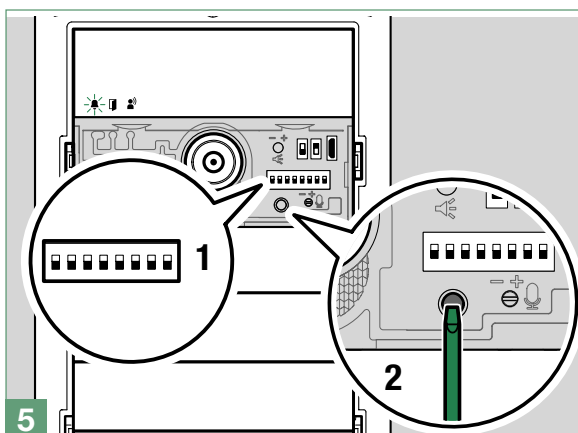
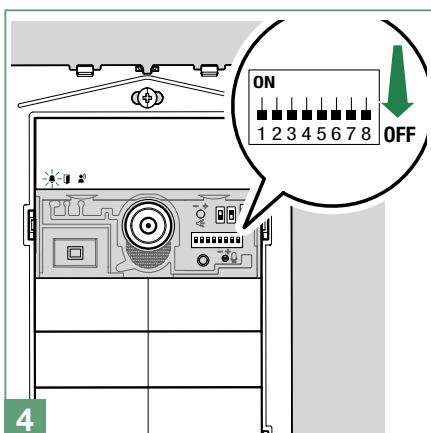
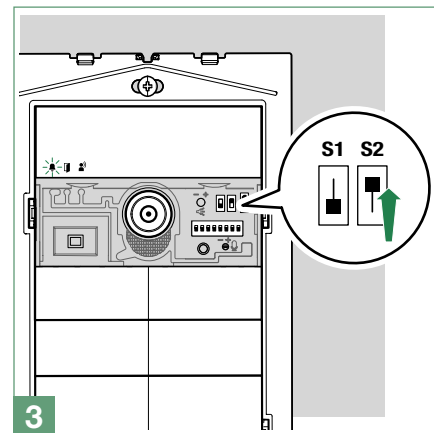
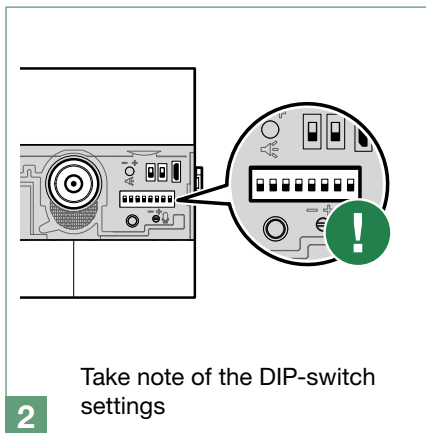
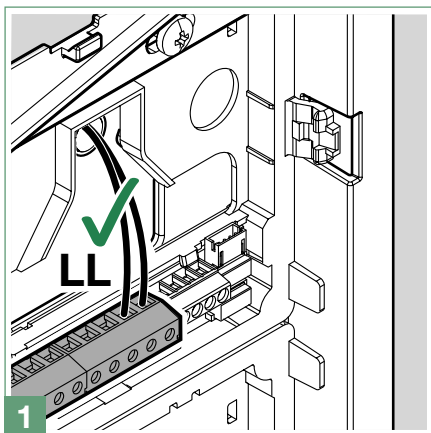
Smart programming of consecutive addresses



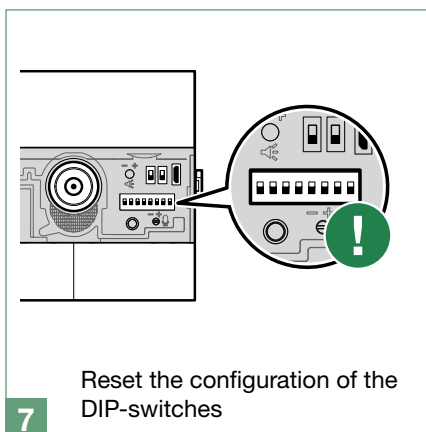
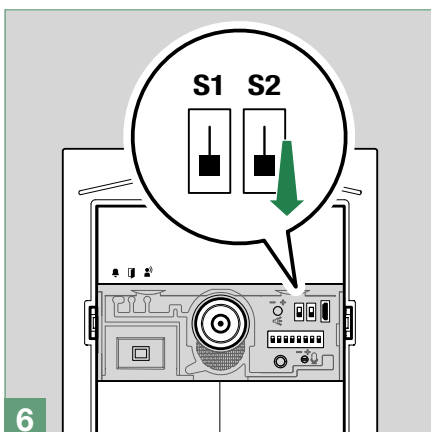
Programming of specific addresses



Special programming via DIP Switch



1. Set the dip switches in accordance with the function you wish to program (see "[Special programming table](#)").
2. Press the confirm button.



Special programming table

CODE	DIP SWITCHES ON	FUNCTIONS
		Audio-visual messages
195	1,2,7,8	Hebrew
196	3,7,8	Polish
197	1,3,7,8	Catalan
198	2,3,7,8	Galician
199	1,2,3,7,8	Basque
206	2,3,4,7,8	Danish
207	1,2,3,4,7,8	Norwegian
211	1,2,5,7,8	Swedish
215	1,2,3,5,7,8	Italian
216	4,5,7,8	French
217	1,4,5,7,8	Spanish
218	2,4,5,7,8	Dutch
219	1,2,4,5,7,8	Greek
220	3,4,5,7,8	English
221	1,3,4,5,7,8	German
222	2,3,4,5,7,8	Portuguese
202	2,4,7,8	Enables voice message (door opened warning) when the RTE contact is closed
203	1,2,4,7,8	Disables voice message (door opened warning) when the RTE contact is closed (default setting)
210	2,5,7,8	Enables visual messages and disables voice messages (default)
214	2,3,5,7,8	OFF: disables voice and visual messages
		Actuator command management N.B. Art. 1256 in generic actuator mode must not be present in the system.
229	1,3,6,7,8	C.NC.NO relay activation on actuator command: 2 sec (default)
230	2,3,6,7,8	C.NC.NO relay activation on actuator command: 4 sec
231	1,2,3,6,7,8	C.NC.NO relay activation on actuator command: 8 sec
		Door lock
223	1,2,3,4,5,7,8	Door lock command on SE in AC (default)
224	6,7,8	Door lock command on SE in enhanced AC
225	1,6,7,8	Door lock command on SE in DC
241	1,5,6,7,8	Management of internal units connected to Art. UT1020: up to 70 (default)
242	2,5,6,7,8	Management of internal units connected to Art. UT1020: from 71 to 100
184	4,5,6,8	Door lock time: 100 msec
185	1,4,5,6,8	Door lock time: 200 msec
186	2,4,5,6,8	Door lock time: 500 msec
245	1,3,5,6,7,8	Door lock time: 2 sec + disabling tone (default)
246	2,3,5,6,7,8	Door lock time: 4 sec
247	1,2,3,5,6,7,8	Door lock time: 8 sec
248	4,5,6,7,8	Door lock confirmation tone: enabled
252	3,4,5,6,7,8	Lock-release always enabled (default)
253	1,3,4,5,6,7,8	Lock-release only enabled for user called
		System functions
232	4,6,7,8	Awaiting response time: 60 sec (default)
233	1,4,6,7,8	Awaiting response time: 120 sec
234	2,4,6,7,8	Awaiting response time: 30 sec
235	1,2,4,6,7,8	Talk time: 90 sec (default)
236	3,4,6,7,8	Talk time: 180 sec
145	1,5,8	RTE input set as local lock-release input (default)
146	2,5,8	RTE input set as door open indication

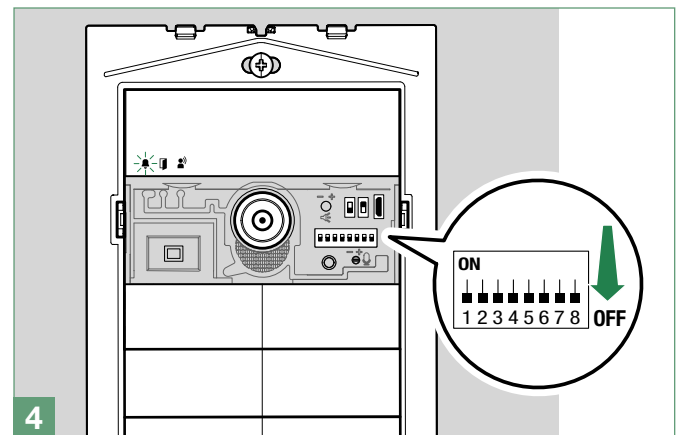
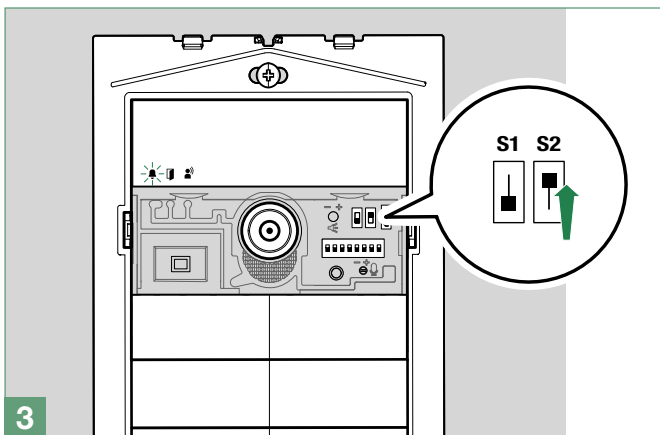
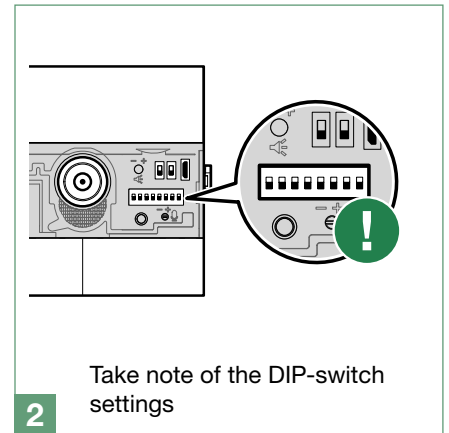
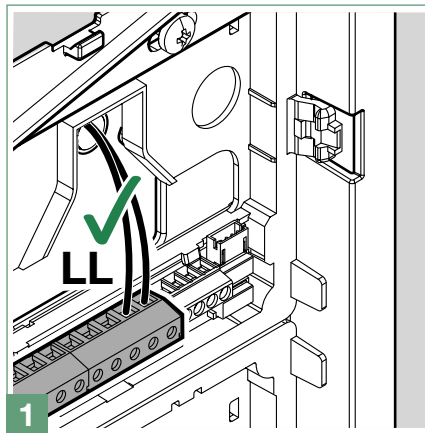
147	1,2,5,8	Self activation time: 60 sec (default)
149	1,3,5,8	Self activation time: 30 sec
237	1,3,4,6,7,8	Self activation: enabled (default)
238	2,3,4,6,7,8	Self activation: disabled
154	2,4,5,8	System busy signalling time: 10 sec (default)
155	1,2,4,5,8	System busy signalling time: 300 sec
239	1,2,3,4,6,7,8	Confirmation tone on user call = enabled (default)
240	5,6,7,8	Confirmation tone on user call = disabled
243	1,2,5,6,7,8	Reset wait time (after hang-up or after lock-release): 10 sec (default)
244	3,5,6,7,8	Reset wait time (after hang-up or after lock-release): 1 sec
208	5,7,8	Enables "Reset wait time" on lock-release command (default)
209	1,5,7,8	Disables "awaiting reset time" on lock-release command (awaiting response time or talk time will be activated)
249	1,4,5,6,7,8	Send call: single (default)
250	2,4,5,6,7,8	Call transmission: triple
		Button tones
142	2,3,4,8	Button press tone ON (default)
143	1,2,3,4,8	Button press tone OFF
		Button backlighting management
158	2,3,4,5,8	OFF mode: Button LEDs always off
159	1,2,3,4,5,8	ON mode: Button LEDs always on
160	6,8	AUTO mode: Button LEDs on at night and off during the day, thanks to the twilight sensor (default)
161	1,6,8	Enables brightness control for the button LEDs. ▶ Press a button repeatedly for each module to change the individual brightness of the buttons (see: "Adjusting the brightness of the button LEDs and the camera light")
162	2,6,8	Light-me OFF (default)
163	1,2,6,8	Light-me ON: the button LEDs for the audio/video module are always on and when the button is pressed all button LEDs light up (see: "Light-me function behaviour on the basis of the LED backlighting mode")
150	2,3,5,8	Light-me time: 30 sec
151	1,2,3,5,8	Light-me time: 60 sec (default)
152	4,5,8	Light-me time: 120 sec
		Camera LED light management on self activation (only with Art. UT1020)
166	2,3,6,8	The LED light is always off upon self activation
167	1,2,3,6,8	The LED light copies the ON/OFF/AUTO mode set for calls (functions 168/169/170) (default)
		Camera LED light management upon calls (only with Art. UT1020)
168	4,6,8	OFF mode: LED light always off upon calls
169	1,4,6,8	ON mode: LED light always on upon calls
170	2,4,6,8	AUTO mode: LED light on at night and off during the day, thanks to the twilight sensor (default)
171	1,2,4,6,8	Enables brightness control for the camera LED light. ▶ Press the programming confirmation button repeatedly to adjust the brightness
		Restore backup
114	2,5,6,7	If the audio/video module is replaced, all programming is imported (only available if at least one additional module is connected vi flat cable)
		Reset
115	1,2,5,6,7	Reset button programming: if the modules are addressed (see "Address button modules") this resets the programming for the button call addresses
254	2,3,4,5,6,7,8	Reset special programming: restore all the parameters described in this table to their default values

Twilight sensor

Camera LED lighting and button backlighting management



The twilight sensor is in **AUTO** mode by default: the camera and button LEDs light up at night and switch off during the day. To change the setting to **ON** (LEDs always on) or **OFF** (LEDs always off), proceed as follows:



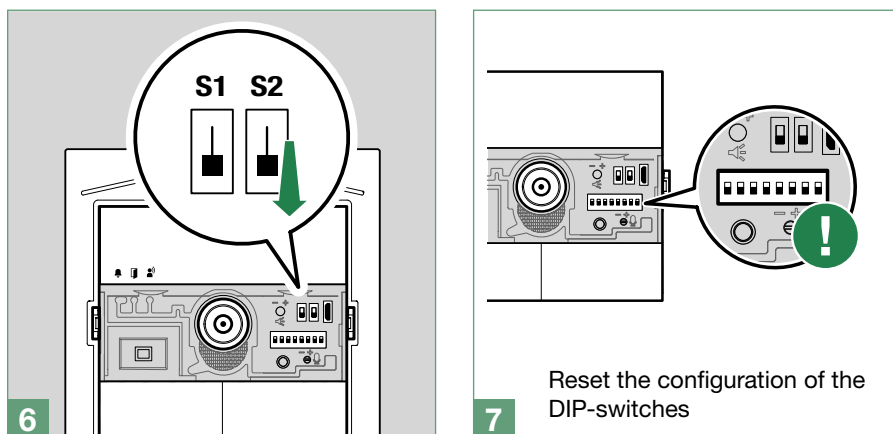
1. Set the desired mode for the camera (A) or button (B) LEDs
2. Press the confirm button

	OFF	ON	AUTO (default)
A Camera LED	 cod. 168	 cod. 169	 cod. 170
B Button LEDs	 cod. 158	 cod. 159	 cod. 160

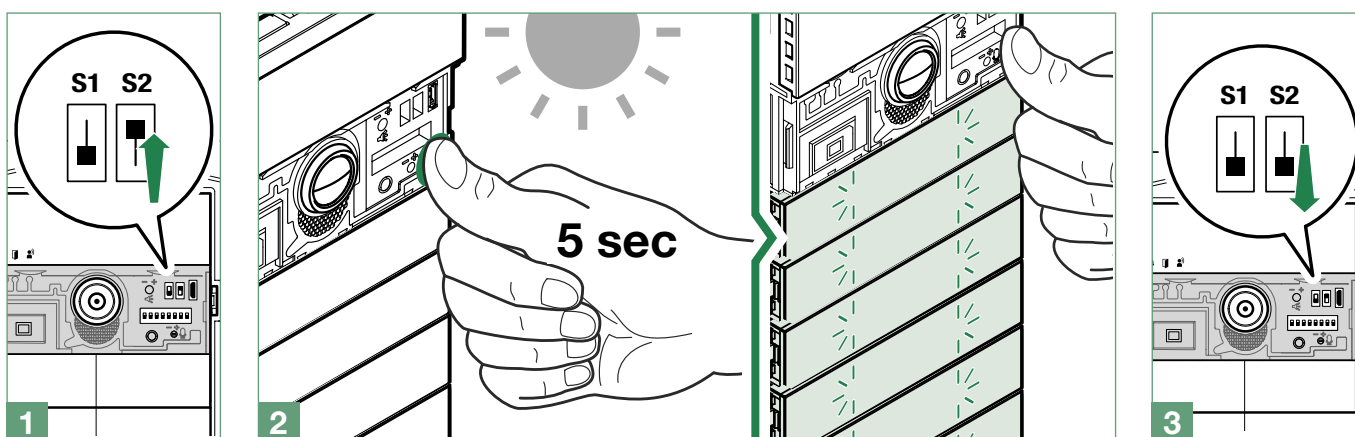


NOTE: when the OFF and AUTO lighting modes are active, every time the entrance panel is powered, the buttons light up for the duration of the start-up phase (10 seconds maximum).

In **AUTO** mode the twilight sensor checks the ambient light level every 9 minutes; if the measured values exceed the specified minimum/maximum thresholds, it is activated/deactivated accordingly.



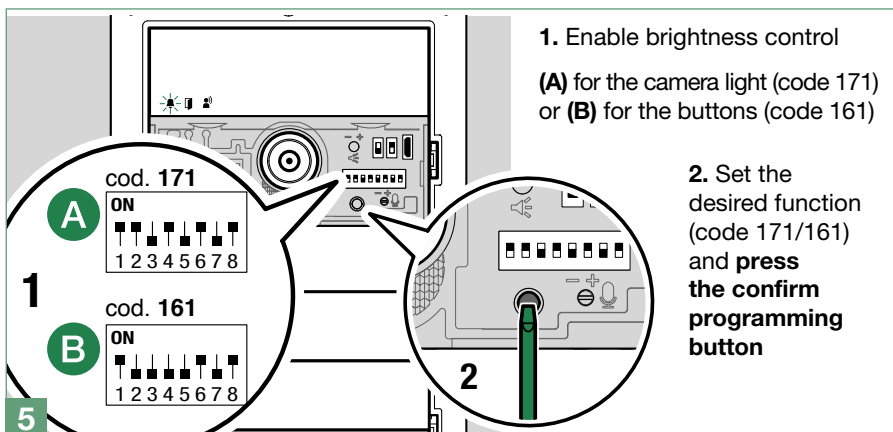
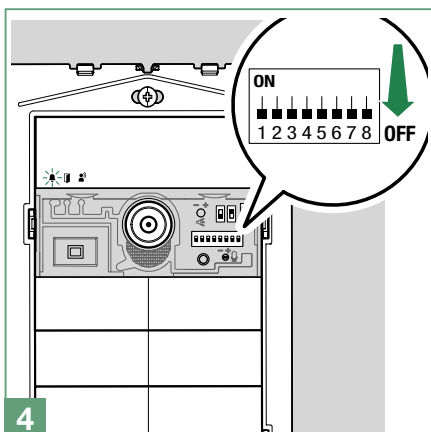
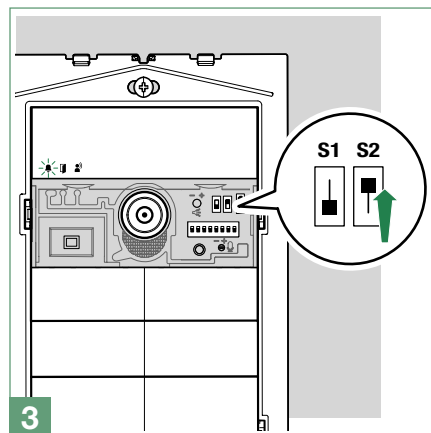
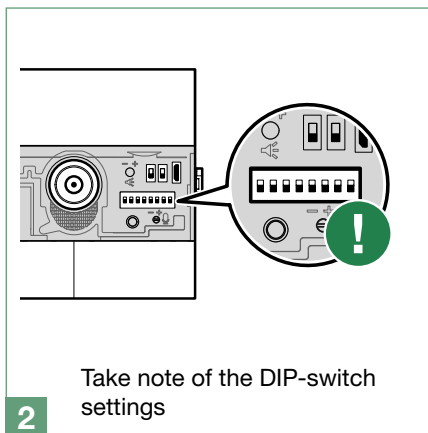
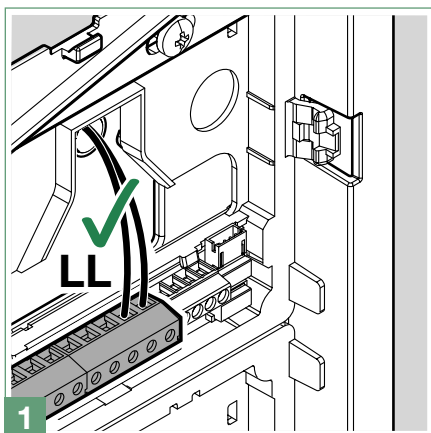
Checking twilight sensor operation



If it is daytime and you want to check AUTO mode operation for the twilight sensor, you can proceed as follows:

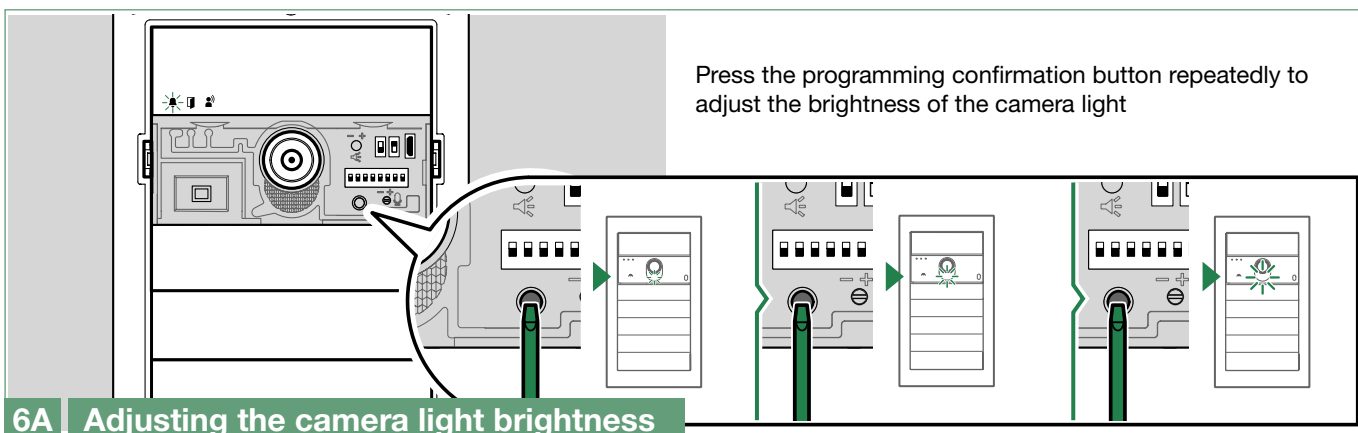
1. Enter programming mode
2. Block the twilight sensor for 5 seconds
 - » If AUTO mode has been set, the camera and button LEDs will come on.
3. Exit programming

Adjusting the brightness of the button LEDs and the camera light

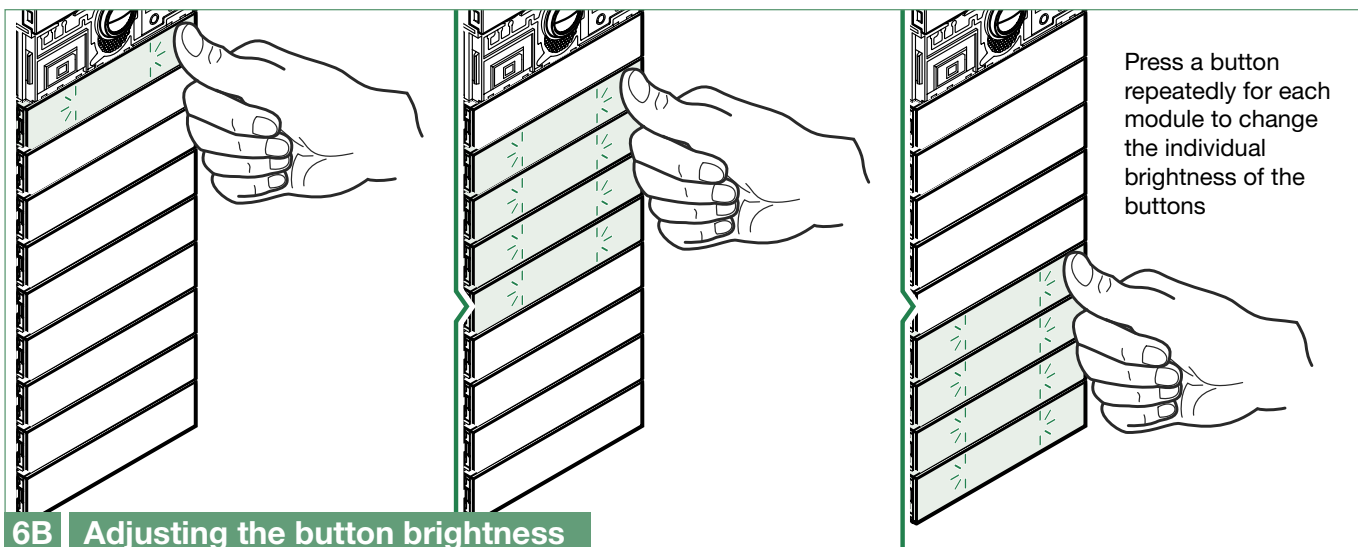


1. Enable brightness control
(A) for the camera light (code 171)
or (B) for the buttons (code 161)

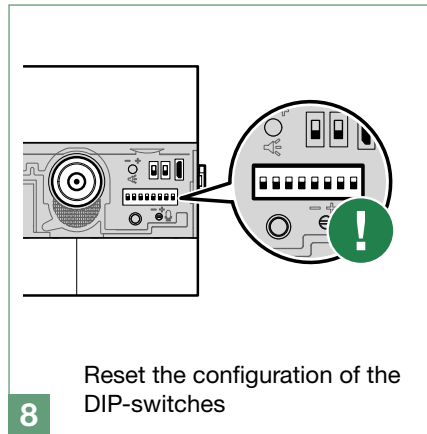
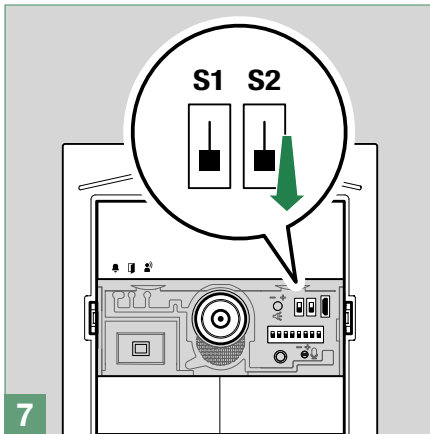
2. Set the desired function (code 171/161) and press the confirm programming button



Press the programming confirmation button repeatedly to adjust the brightness of the camera light



Press a button repeatedly for each module to change the individual brightness of the buttons

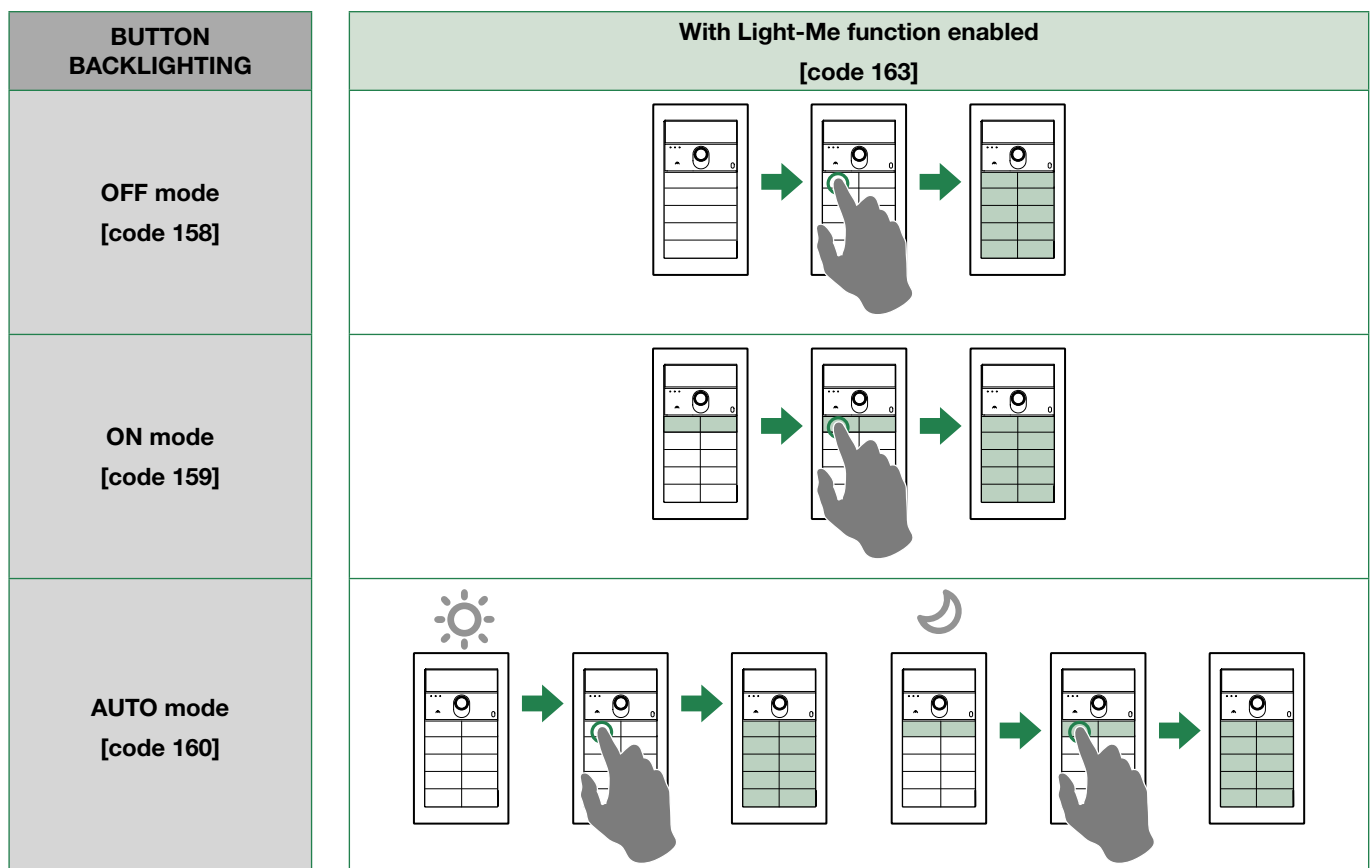


Light-me function

Thanks to this function, button backlighting is only enabled on the user's request, by pressing the LIGHT-ME button on the audio/video module; this saves energy and reduces light pollution.

Backlighting management for this button depends on the twilight sensor setting. It is in AUTO mode by default: the LEDs light up at night and switch off during the day. It can be set to ON (LEDs always on) or OFF (LEDs always off).

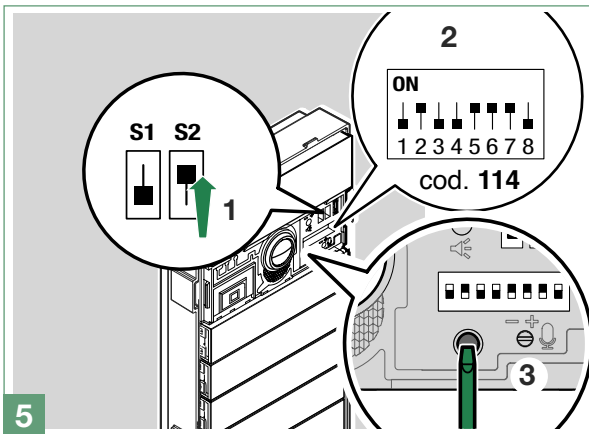
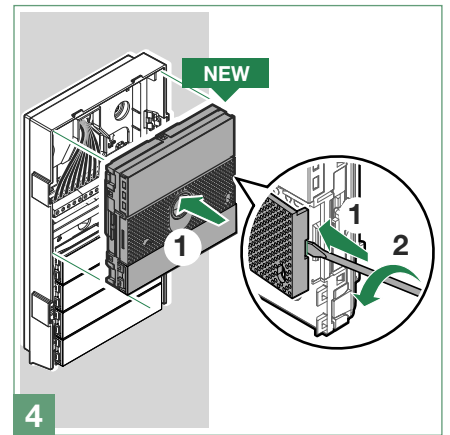
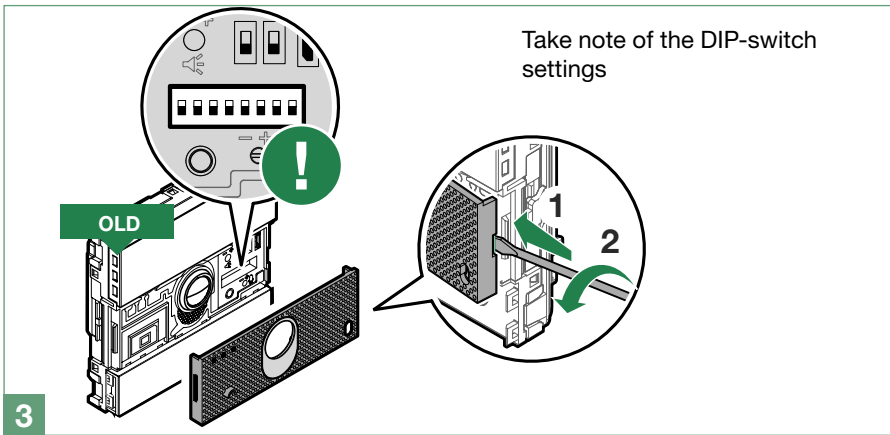
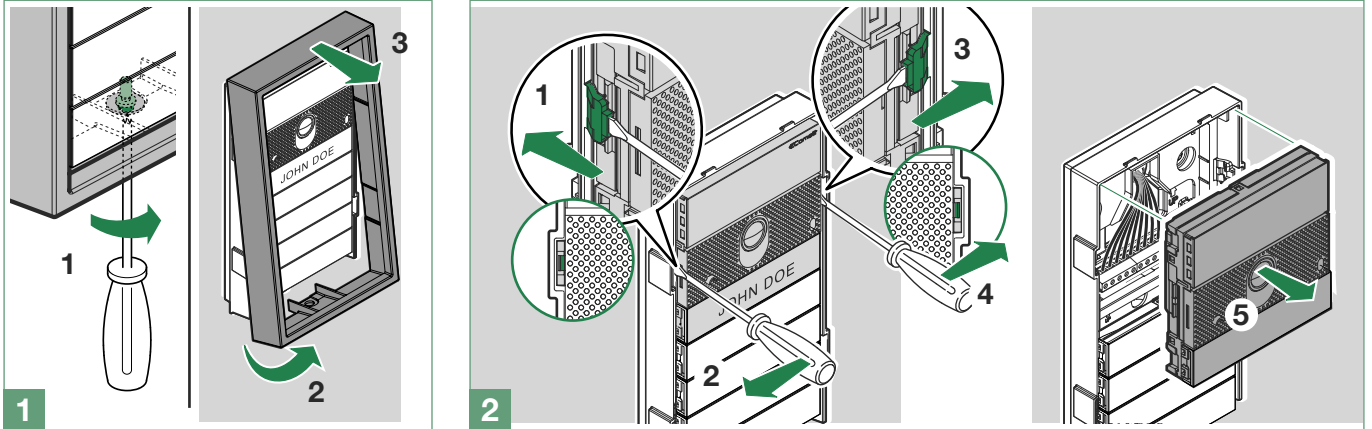
Light-me function behaviour on the basis of the LED backlighting mode



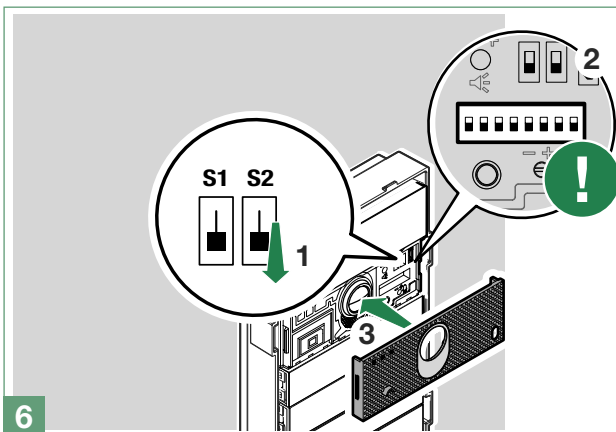
Replacing the audio/video module with programming restore backup



If the audio or audio/video module is replaced, the following instructions must be observed.
The procedure should be completed within one hour of removal of the old module.



1. Enter programming mode by moving **S2** DIP-switch upwards
 - » the red "system busy" LED flashes for the duration of the procedure
2. Set special programming **114** to import all the programming settings
3. Press the confirm programming button
 - » the green "lock-release" LED will start flashing
 - » at the end of the backup (approx. 30 sec.):
 - » the green "lock-release" LED switches off
 - » the green "audio enabled" LED comes on for a few seconds.



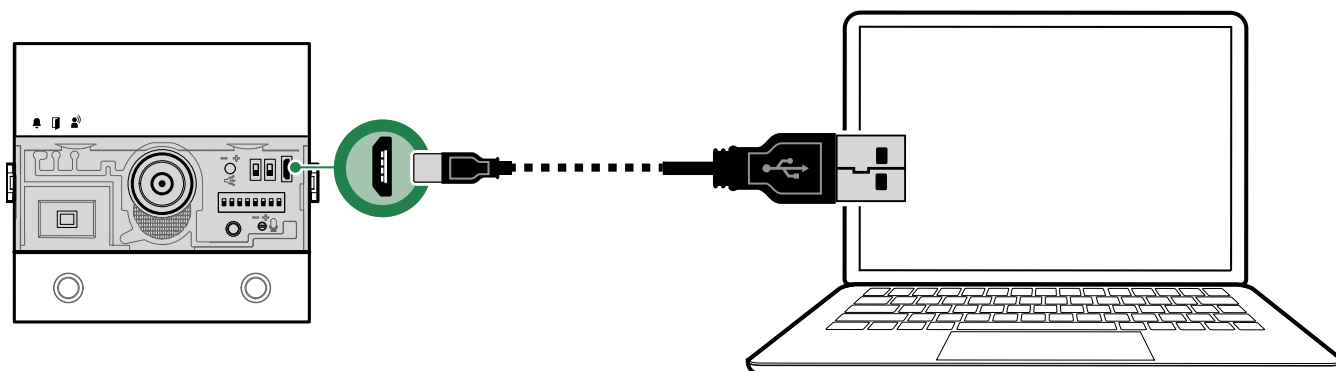
1. Exit programming mode by moving the **S2** DIP-switch downwards
 - » the red "system busy" LED switches off
2. Reset the configuration of the DIP-switches
3. Reattach the front panel

Configuring via PC

All device configurations can be performed via PC and ViP Manager configuration software, available to download free of charge from pro.comelitgroup.com (See [programming manual](#)).

For example:

- programming call addresses for the buttons
 - activating audiovisual indications
 - adjusting the backlighting and twilight sensor threshold
 - setting the functions that can be assigned to the RTE input (lock-release, relay control, actuator control, etc.)
 - setting activations that can be assigned to the module SE outputs and relay
- ✓ You will need a USB micro-USB cable.



Errors and indications

	INDICATION	SOLUTION
RED LED LIT STEADILY + DISSUASION TONE	Line short-circuit	Check connections
	Dual power supply present	Remove jumper J4 on the audio/video module
	Button modules with the same ID	Check the button module IDs
	Programming selector positioning error	Check the position of selectors S1 and S2 (they cannot both be set to ON)
RED LED FLASHING	Device in programming	

System performance and layouts

For further information regarding system performance and to view installation layouts, click on the system type:

- [Simplebus1 audio/video](#)

Addressing table

Code	Dip switch ON														
1	1	31	1,2,3,4,5	61	1,3,4,5,6	91	1,2,4,5,7	121	1,4,5,6,7	151	1,2,3,5,8	181	1,3,5,6,8	211	1,2,5,7,8
2	2	32	6	62	2,3,4,5,6	92	3,4,5,7	122	2,4,5,6,7	152	4,5,8	182	2,3,5,6,8	212	3,5,7,8
3	1.2	33	1.6	63	1,2,3,4,5,6	93	1,3,4,5,7	123	1,2,4,5,6,7	153	1,4,5,8	183	1,2,3,5,6,8	213	1,3,5,7,8
4	3	34	2.6	64	7	94	2,3,4,5,7	124	3,4,5,6,7	154	2,4,5,8	184	4,5,6,8	214	2,3,5,7,8
5	1.3	35	1,2,6	65	1.7	95	1,2,3,4,5,7	125	1,3,4,5,6,7	155	1,2,4,5,8	185	1,4,5,6,8	215	1,2,3,5,7,8
6	2.3	36	3.6	66	2.7	96	6.7	126	2,3,4,5,6,7	156	3,4,5,8	186	2,4,5,6,8	216	4,5,7,8
7	1,2,3	37	1,3,6	67	1,2,7	97	1,6,7	127	1,2,3,4,5,6,7	157	1,3,4,5,8	187	1,2,4,5,6,8	217	1,4,5,7,8
8	4	38	2,3,6	68	3.7	98	2,6,7	128	8	158	2,3,4,5,8	188	3,4,5,6,8	218	2,4,5,7,8
9	1.4	39	1,2,3,6	69	1,3,7	99	1,2,6,7	129	1.8	159	1,2,3,4,5,8	189	1,3,4,5,6,8	219	1,2,4,5,7,8
10	2.4	40	4.6	70	2,3,7	100	3,6,7	130	2.8	160	6.8	190	2,3,4,5,6,8	220	3,4,5,7,8
11	1,2,4	41	1,4,6	71	1,2,3,7	101	1,3,6,7	131	1,2,8	161	1,6,8	191	1,2,3,4,5,6,8	221	1,3,4,5,7,8
12	3.4	42	2,4,6	72	4.7	102	2,3,6,7	132	3.8	162	2,6,8	192	7.8	222	2,3,4,5,7,8
13	1,3,4	43	1,2,4,6	73	1,4,7	103	1,2,3,6,7	133	1,3,8	163	1,2,6,8	193	1,7,8	223	1,2,3,4,5,7,8
14	2,3,4	44	3,4,6	74	2,4,7	104	4,6,7	134	2,3,8	164	3,6,8	194	2,7,8	224	6,7,8
15	1,2,3,4	45	1,3,4,6	75	1,2,4,7	105	1,4,6,7	135	1,2,3,8	165	1,3,6,8	195	1,2,7,8	225	1,6,7,8
16	5	46	2,3,4,6	76	3,4,7	106	2,4,6,7	136	4.8	166	2,3,6,8	196	3,7,8	226	2,6,7,8
17	1.5	47	1,2,3,4,6	77	1,3,4,7	107	1,2,4,6,7	137	1,4,8	167	1,2,3,6,8	197	1,3,7,8	227	1,2,6,7,8
18	2.5	48	5.6	78	2,3,4,7	108	3,4,6,7	138	2,4,8	168	4,6,8	198	2,3,7,8	228	3,6,7,8
19	1,2,5	49	1,5,6	79	1,2,3,4,7	109	1,3,4,6,7	139	1,2,4,8	169	1,4,6,8	199	1,2,3,7,8	229	1,3,6,7,8
20	3.5	50	2,5,6	80	5.7	110	2,3,4,6,7	140	3,4,8	170	2,4,6,8	200	4,7,8	230	2,3,6,7,8
21	1,3,5	51	1,2,5,6	81	1,5,7	111	1,2,3,4,6,7	141	1,3,4,8	171	1,2,4,6,8	201	1,4,7,8	231	1,2,3,6,7,8
22	2,3,5	52	3,5,6	82	2,5,7	112	5.6,7	142	2,3,4,8	172	3,4,6,8	202	2,4,7,8	232	4,6,7,8
23	1,2,3,5	53	1,3,5,6	83	1,2,5,7	113	1,5,6,7	143	1,2,3,4,8	173	1,3,4,6,8	203	1,2,4,7,8	233	1,4,6,7,8
24	4.5	54	2,3,5,6	84	3,5,7	114	2,5,6,7	144	5.8	174	2,3,4,6,8	204	3,4,7,8	234	2,4,6,7,8
25	1,4,5	55	1,2,3,5,6	85	1,3,5,7	115	1,2,5,6,7	145	1,5,8	175	1,2,3,4,6,8	205	1,3,4,7,8	235	1,2,4,6,7,8
26	2,4,5	56	4,5,6	86	2,3,5,7	116	3,5,6,7	146	2,5,8	176	5,6,8	206	2,3,4,7,8	236	3,4,6,7,8
27	1,2,4,5	57	1,4,5,6	87	1,2,3,5,7	117	1,3,5,6,7	147	1,2,5,8	177	1,5,6,8	207	1,2,3,4,7,8	237	1,3,4,6,7,8
28	3,4,5	58	2,4,5,6	88	4,5,7	118	2,3,5,6,7	148	3,5,8	178	2,5,6,8	208	5,7,8	238	2,3,4,6,7,8
29	1,3,4,5	59	1,2,4,5,6	89	1,4,5,7	119	1,2,3,5,6,7	149	1,3,5,8	179	1,2,5,6,8	209	1,5,7,8	239	1,2,3,4,6,7,8
30	2,3,4,5	60	3,4,5,6	90	2,4,5,7	120	4,5,6,7	150	2,3,5,8	180	3,5,6,8	210	2,5,7,8	*240	5,6,7,8

* NOTE: Code 240 is reserved for the porter switchboard

CERTIFIED MANAGEMENT SYSTEMS



www.comelitgroup.com

Via Don Arrigoni, 5 - 24020 Rovetta (BG) - Italy

 **Comelit**[®]
Passion. Technology. Design.