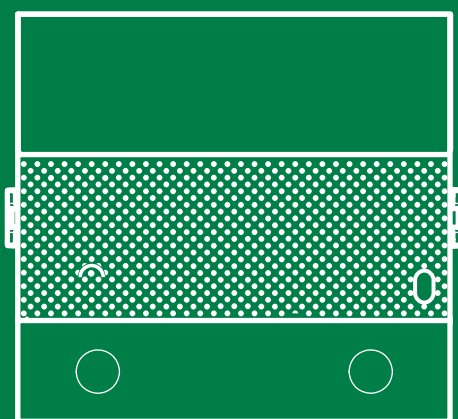


EN

TECHNICAL
MANUAL



Simplebus1 Ultra audio module
Art. UT1010

 **Comelit**[®]
Passion. Technology. Design.

Warning

Intended use

This Comelit product has been designed and manufactured for use in the creation of audio and video communication systems in residential, commercial, industrial and public buildings.

Installation

All activities connected to the installation of Comelit products must be carried out by qualified technical personnel, with careful observation of the indications provided in the Manuals / Instruction sheets supplied with those products.

Wires

Disconnect the power supply before carrying out any operations on the wiring.

Use wires with a cross-section suited to the distances involved, observing the instructions provided in the system manual.

We advise against running the system wires through the same duct as power cables (230V or higher).

Safe usage

To ensure Comelit products are used safely:

- carefully observe the indications provided in the Manuals / Instruction sheets,
- make sure the system created using Comelit products has not been tampered with / damaged.

Maintenance

Comelit products do not require maintenance aside from routine cleaning, which should be carried out in accordance with the indications provided in the Manuals / Instruction sheets.

Any repairs must be carried out:

- for the products themselves, exclusively by **Comelit Group S.p.A.**,
- for the systems, by qualified technical personnel.

Disclaimer

Comelit Group S.p.A. does not assume any responsibility for

- any purpose other than the intended use,
- failure to observe the indications and warnings contained in this Manual / Instruction sheet.

Comelit Group S.p.A. reserves the right to change the information provided in this Manual / Instruction Sheet at any time and without prior notice.

Table of contents

| | |
|--|-----------|
| Warning | 2 |
| Description | 4 |
| UT1010 | 4 |
| Technical characteristics | 6 |
| Art. UT1010 | 6 |
| Installation | 7 |
| Flush-mounted installation composition table..... | 7 |
| Surface-mounted installation composition table..... | 7 |
| Flush-mounted installation | 8 |
| Removing nameplates (2A) / module (2B) | 9 |
| Installation with side-by-side boxes | 10 |
| Wall-mounted installation | 11 |
| Optional | 11 |
| Removing nameplates (2A) / module (2B) | 12 |
| Installation with side-by-side boxes | 13 |
| Connections | 14 |
| UT1010 connections | 14 |
| Variants | 14 |
| Module connection | 15 |
| Connection of button modules Art. UT9200..... | 15 |
| Connection of Touch-screen module Art. UT9270 | 15 |
| Connection of numeric keypad module Art. UT9279M | 16 |
| Programming | 17 |
| Configure button type (single/dual) | 17 |
| Address button modules | 17 |
| Program call addresses | 17 |
| Smart programming of consecutive addresses | 18 |
| Programming of specific addresses | 19 |
| Special programming via DIP-switch | 20 |
| Special programming table | 21 |
| Twilight sensor | 23 |
| Button backlighting management | 23 |
| Checking twilight sensor operation | 24 |
| Adjusting the brightness of the button LEDs | 25 |
| Light-me function | 26 |
| Light-me function behaviour on the basis of the LED backlighting mode | 26 |
| Replacing the audio module with programming restore backup | 27 |
| Configuring via PC | 28 |
| Errors and indications | 28 |
| System performance and layouts | 28 |
| Addressing table | 29 |

Description



UT1010

Audio module for Ultra entrance panel, Simplebus 1 system. To be used in systems with power supply art. 1595 and art. 4888C.

Easy to install and configure, thanks to the smart programming of call buttons.

Twilight sensor for automatic nameplate backlight switch-off during daytime hours.

Omnidirectional digital microphone and dual loudspeaker for high-fidelity audio.

Programmable audiovisual functions for users with disabilities.

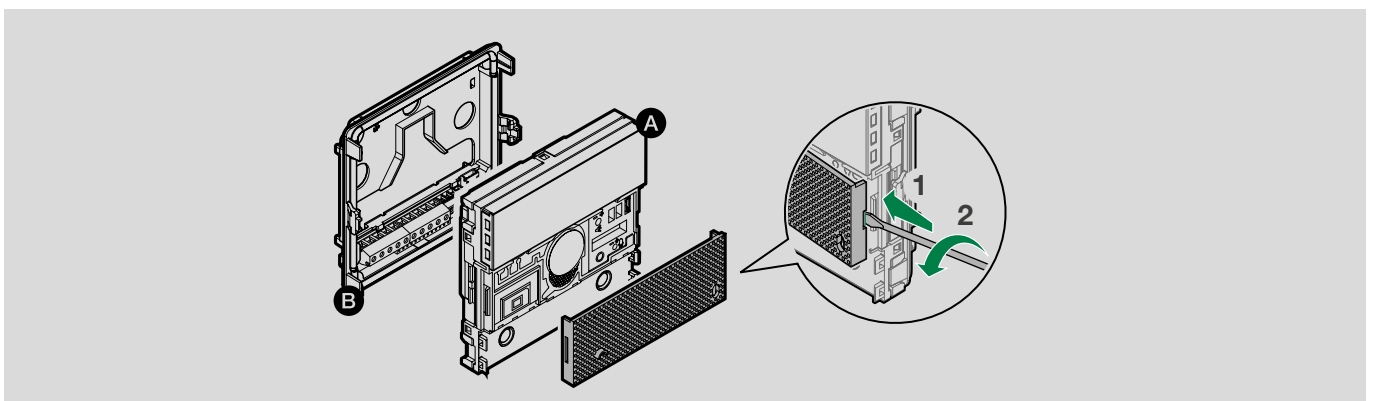
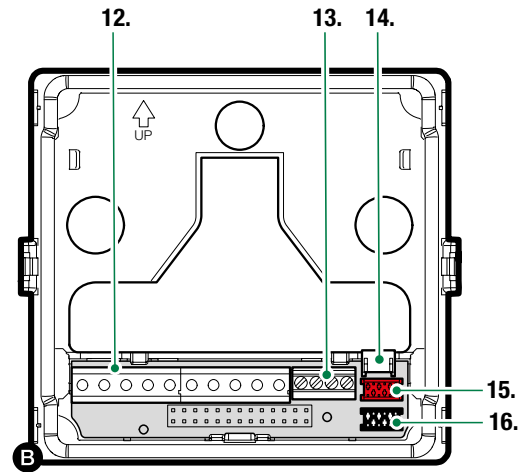
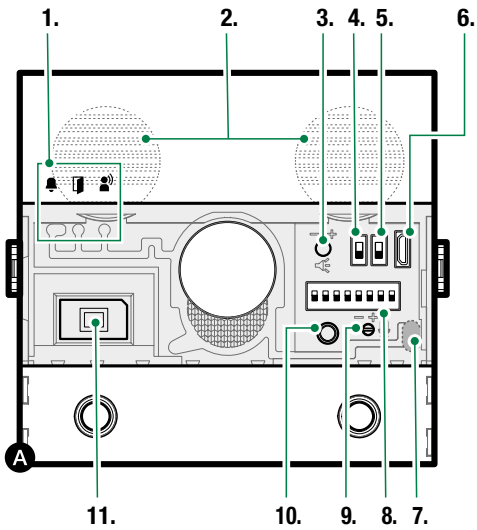
Designed for 2 call buttons. To be finished with cap, single button or double button in professional-grade plastic given an anti-yellowing and anti-dulling treatment or in aluminium.

Adjustment and programming can be carried out without removing the module.




Dimensions: 1 Ultra module.

ULTRA, the new and most technologically advanced entrance panel offering maximum ease of installation.

Available in flush-mounting (10 mm protrusion from the wall) or surface-mounting (just 35 mm protrusion from the wall) versions.



1. Indicator LEDs

-  call sent (green) / system busy (red)
-  lock-release enabled
-  audio enabled

2. Speakers

3. Speaker volume control #

4. S1 Button programming selector

5. S2 Special programming selector

6. Micro USB input for programming via computer

7. Twilight sensor

8. Addressing and programming Dip Switches

9. Microphone volume control #

10. Programming confirmation button #

11. Digital microphone

Use screwdriver supplied



12. Terminal block for connection

RTE programmable RTE (local lock-release input) or DO input (door open indication)

GND RTE or DO input reference negative

SE door lock reference negative

NO NC COM relay contacts

V- V+ power supply

LL bus line connection

13. Ethernet terminal block, only for use in case of additional modules with LAN

14. Connector for additional modules with LAN

15. 16. Connector for additional modules

Technical characteristics

Art. UT1010

| GENERAL DATA | |
|---------------------|---------------------------------------|
| Type | Modular |
| Product height (mm) | 90 |
| Product width (mm) | 100 |
| Product depth (mm) | 35 |
| Product weight (g) | 275 |
| Product colour | Black RAL9005, Transparent, Aluminium |
| Material | Polycarbonate, Aluminium alloy |
| Flush mounting | Yes, with specific accessory |
| Surface mounting | Yes, with specific accessory |

| COMPATIBLE SYSTEMS | |
|---|-----|
| Simplebus 2 audio/video with power supply unit art. 4888C | Yes |
| Simplebus 1 audio | Yes |

| AUDIO SPECIFICATIONS | |
|-----------------------------|--|
| Microphone | MEMS digital audio sensor, omnidirectional |
| Loudspeaker | 28 mm (Ø), 8 Ohm, 1W (2) |

| ELECTRICAL SPECIFICATIONS | |
|----------------------------------|-----------------------|
| Type of power supply | External power supply |
| Power supply voltage | 33 VDC |
| Absorption in standby (W) | 1.5 |
| Maximum absorption (W) | 3.5 |

| HARDWARE CHARACTERISTICS | |
|---------------------------------|--|
| Call type | Buttons |
| Type of buttons | Mechanical |
| Number of buttons (no.) | 2 |
| Backlighting colour | White, Off |
| Terminals | L L V+ V- COM NC NO SE GND RTE TX- TX+ RX- RX+ |
| Number of inputs (no.) | 1 |
| Number of outputs (no.) | 2 |
| Communication port | Micro-USB |
| Twilight sensor | Yes |

| SETTINGS | |
|-------------------------|-----|
| Loudspeaker volume | Yes |
| Mic volume | Yes |
| Backlighting brightness | Yes |

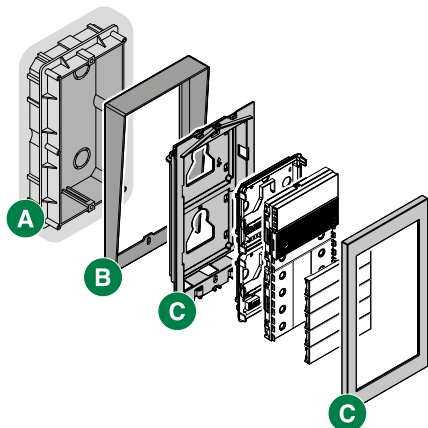
| ENVIRONMENTAL AND CONFORMITY SPECIFICATIONS | |
|--|--|
| Operating temperature (°C) | -25 to 55 |
| Operating humidity (max RH - %) | 25 to 95 |
| Environmental class | III |
| Conformity and Certifications | RoHS II - 2011/65/EU (EN 50581:2012), EMC 2014/30/EU (EN61000-6-1:2007, EN 61000-6-3:2007+A1:2011) |

| MAIN FUNCTIONS | |
|----------------------------------|-----|
| Lock-release | Yes |
| Number of auxiliary relays (no.) | 1 |
| Input for local key button | Yes |
| Input for door open signal | Yes |
| System status visual indications | Yes |
| System status audio indications | Yes |
| System status voice synthesis | Yes |


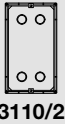





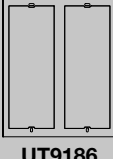
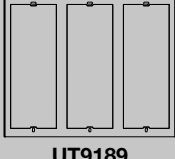


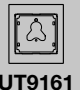

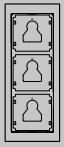

Installation

The entrance panel is available in flush-mounted or surface-mounted variants:

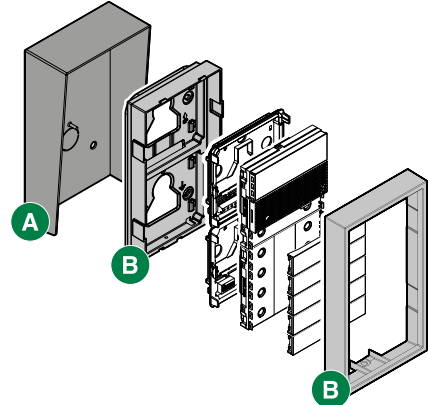
Flush-mounted installation composition table





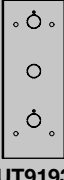
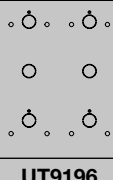
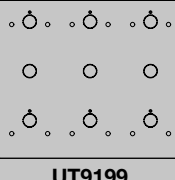

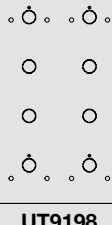


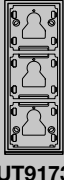
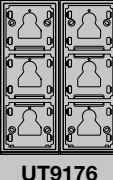

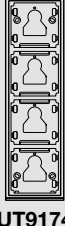
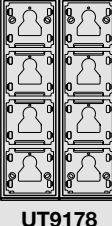
A = Flush-mounted box
 B = Rain shield #
 C = Flush-mounted module holder with finishing frame

| | | | | | | | | | |
|-----------------------------------|---|---|--|---|--|---|--|---|---|
| Flush-mounted box |  |  |  | | |  | | | |
| | 3110/1 | 3110/2 | 3110/3 | | | 3110/4 | | | |
| | Rain shield |  |  |  |  |  | |  |  |
| | | UT9181 | UT9182 | UT9183 | UT9186 | UT9189 | | UT9184 | UT9188 |
| Module holder/ finishing frame | |  |  |  | | |  | | |
| | | UT9161 | UT9162 | UT9163 | | | UT9164 | | |

Surface-mounted installation composition table

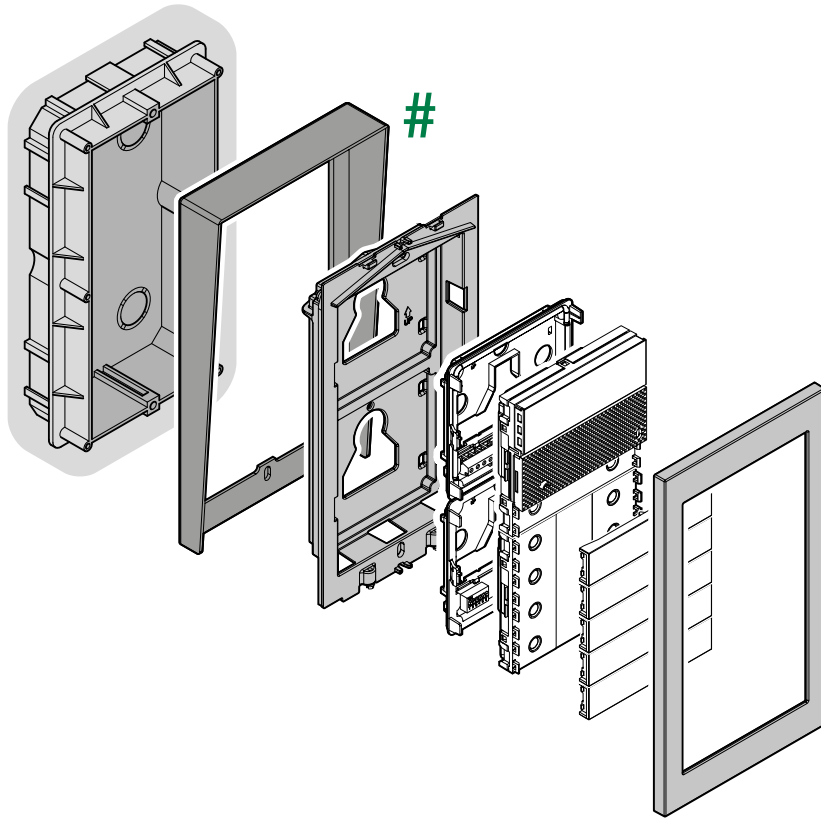


A = Rain shield #
 B = Surface-mounted housing with frame

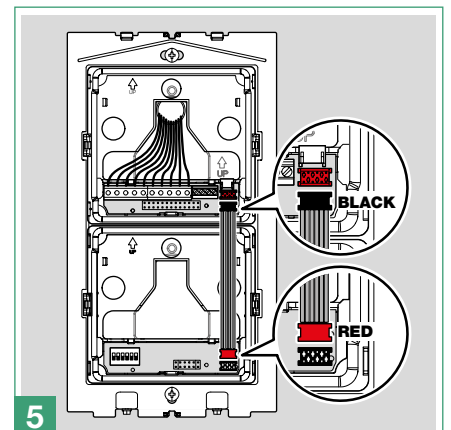
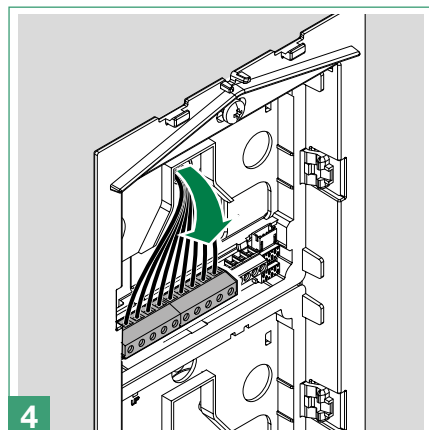
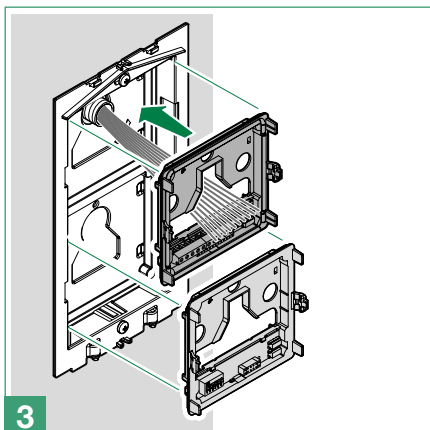
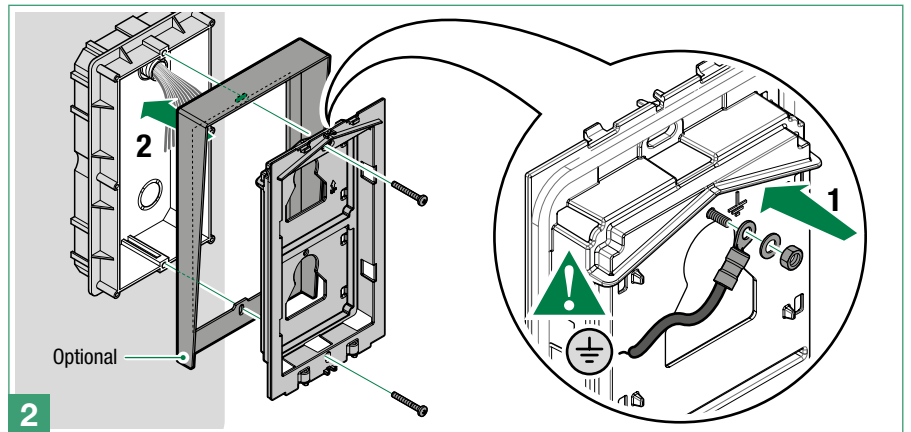
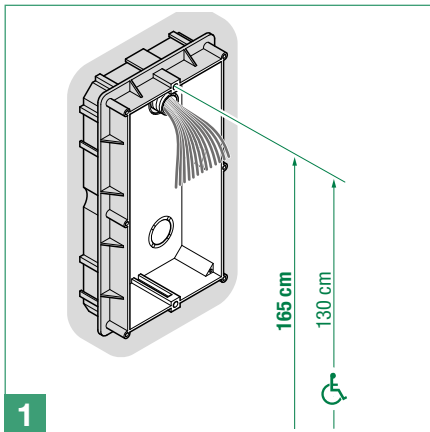
| | | | | | | | | | |
|-------------|---|---|---|--|---|---|---|---|---|
| Rain shield |  |  |  |  |  | |  |  | |
| | UT9191 | UT9192 | UT9193 | UT9196 | UT9199 | | UT9194 | UT9198 | |
| | Housing/frame |  |  |  |  |  | |  |  |
| | | UT9171 | UT9172 | UT9173 | UT9176 | UT9179 | | UT9174 | UT9178 |

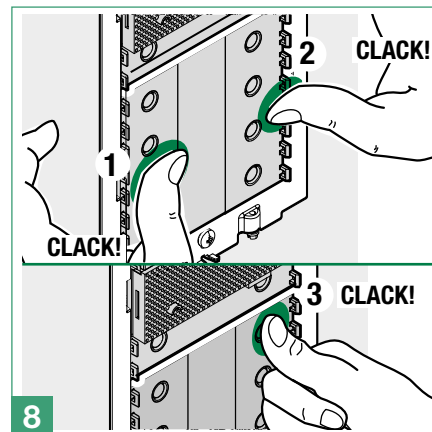
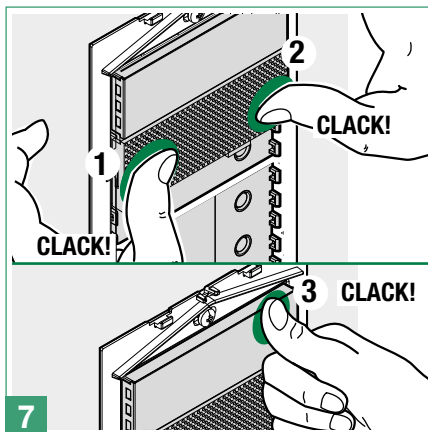
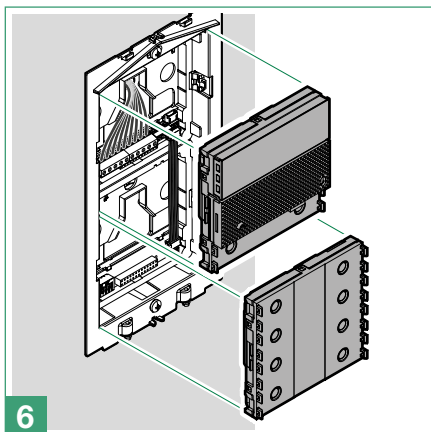
Optional

Flush-mounted installation



Optional

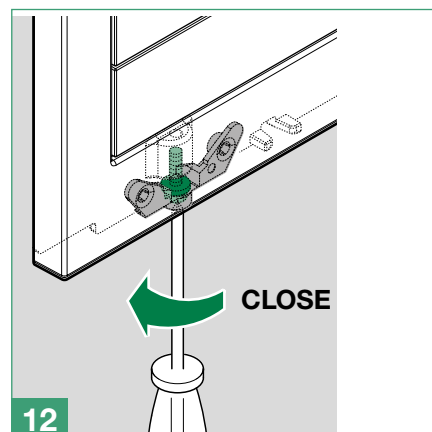
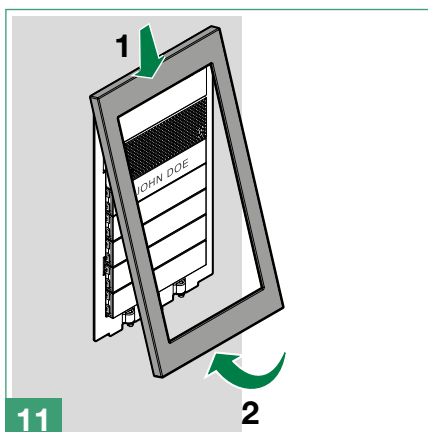
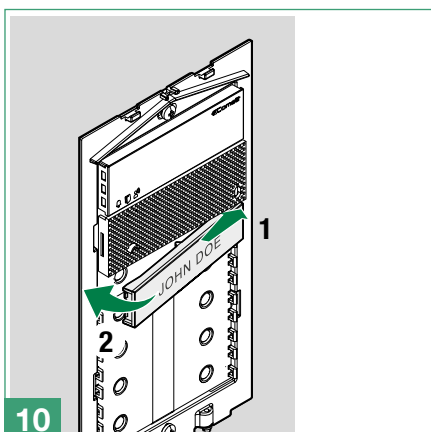




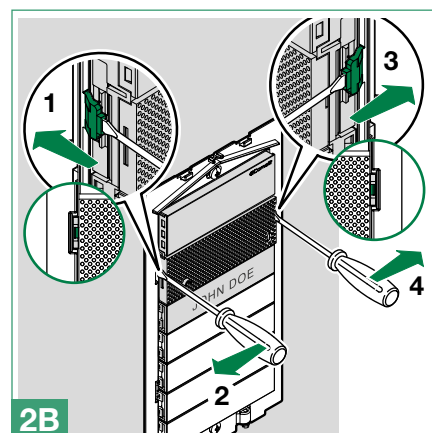
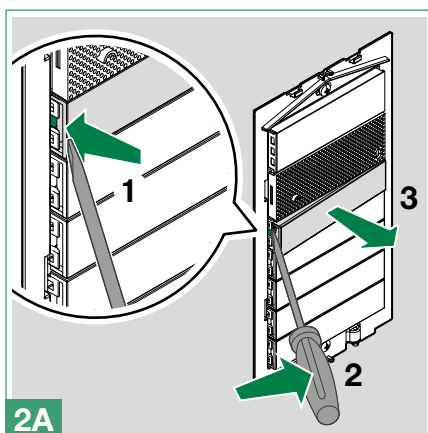
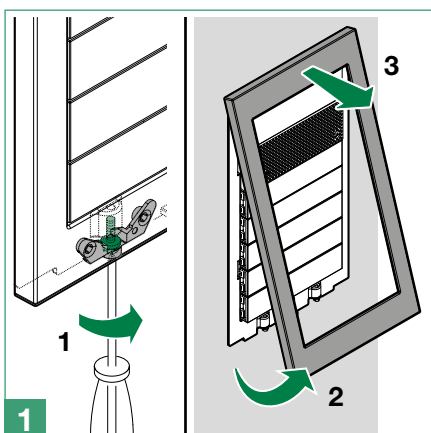
The button has a nameplate which can be written on (A); alternatively, an adhesive label can be applied (B).

The total thickness of the nameplate + adhesive label must not exceed 0.2 mm.

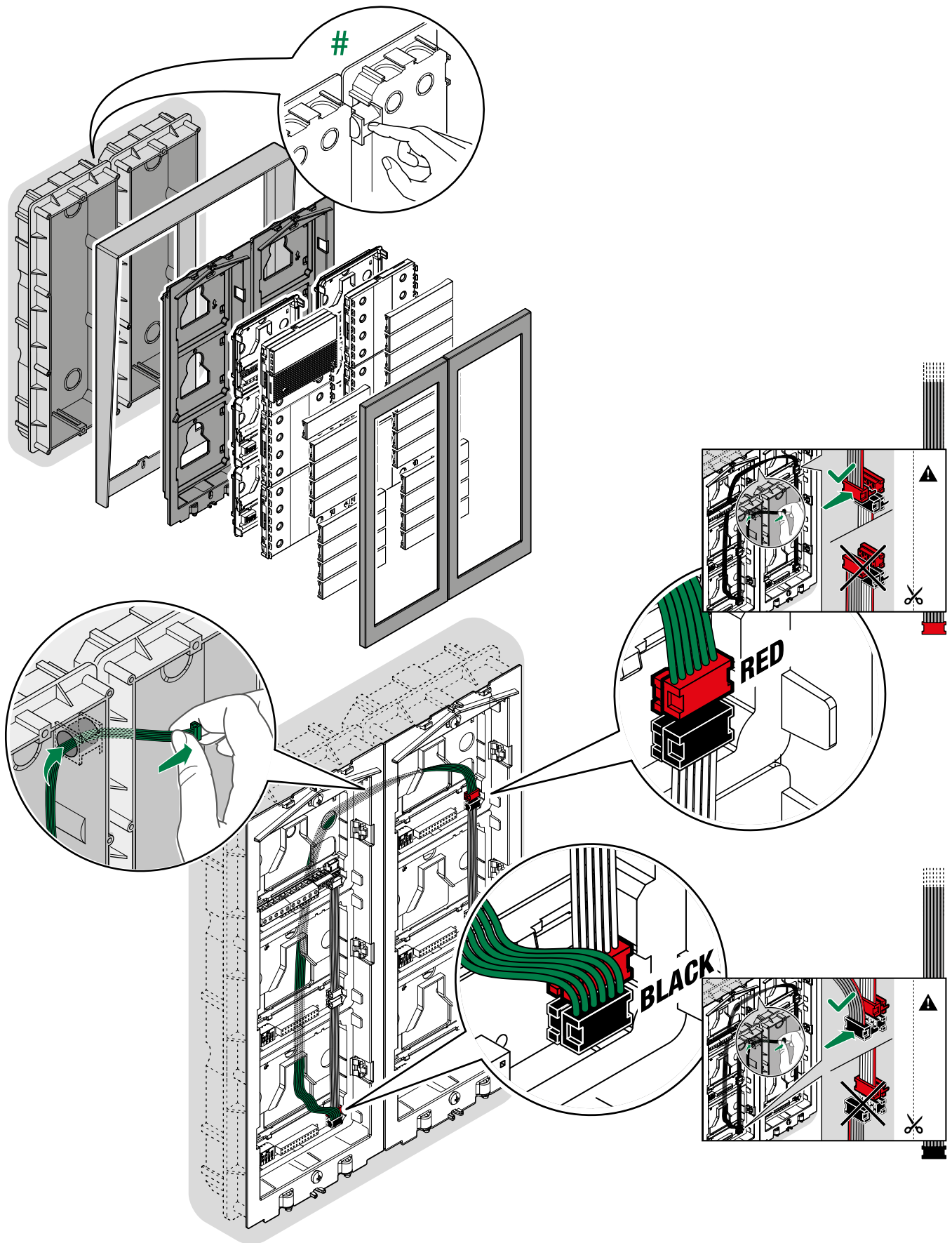
You can visit the website pro.comelitgroup.com to download the PDF to print the entrance panel name cards, using the adhesive pre-cut sheets (C) available in our catalogue (Art. UT9110)



Removing nameplates (2A) / module (2B)

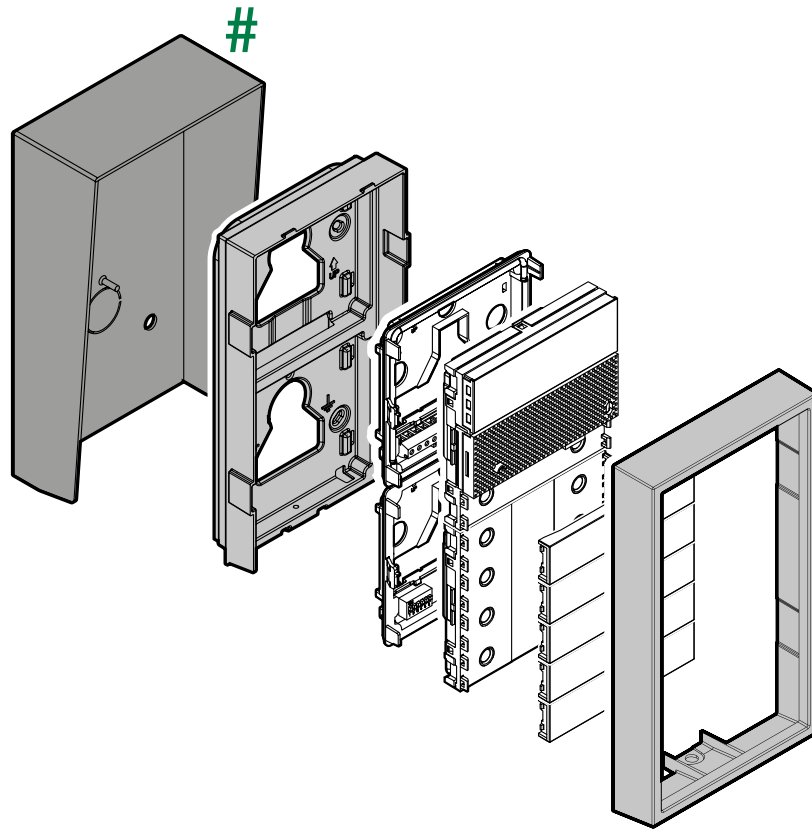


Installation with side-by-side boxes

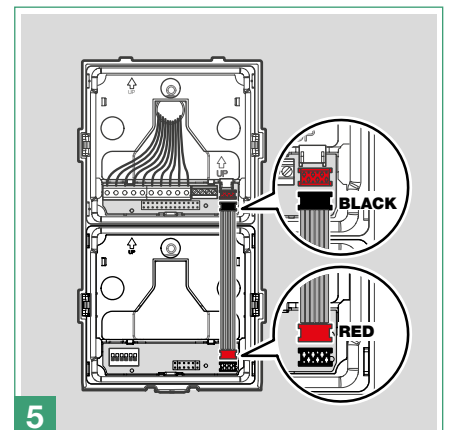
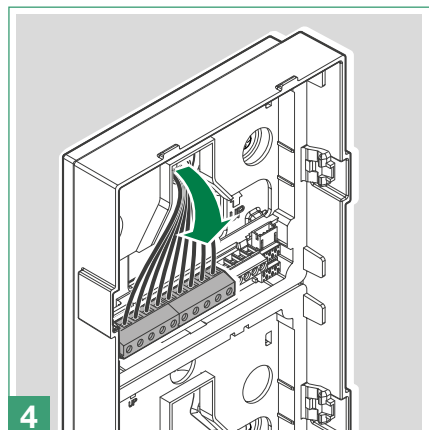
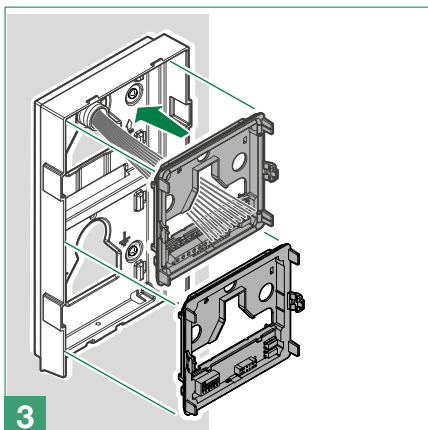
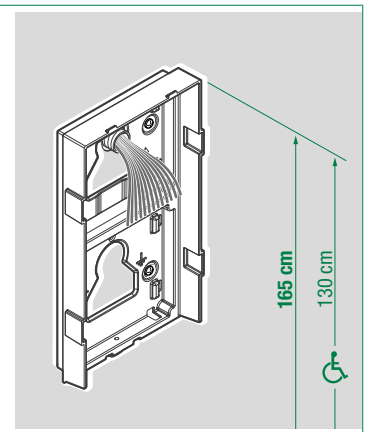
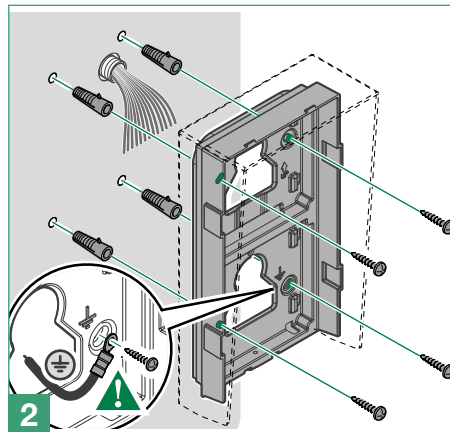
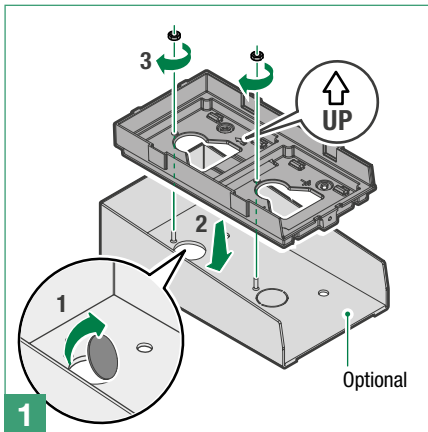


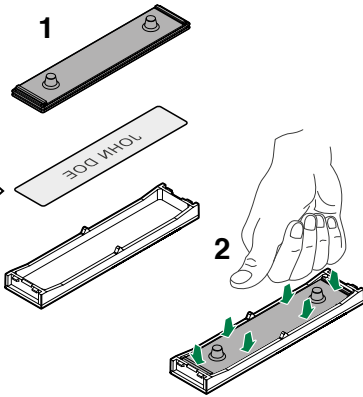
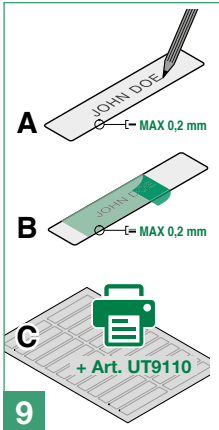
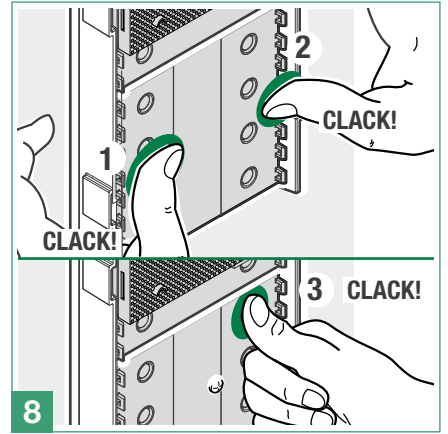
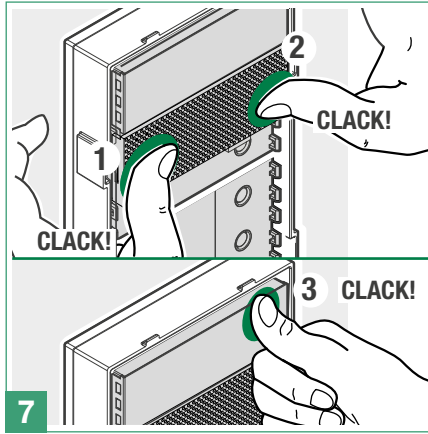
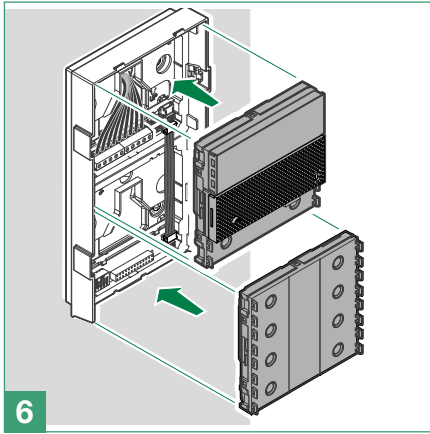
Before installing the boxes in the wall, fit the spacers.

Wall-mounted installation



Optional

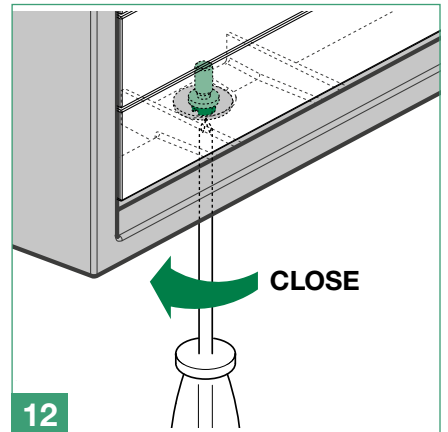
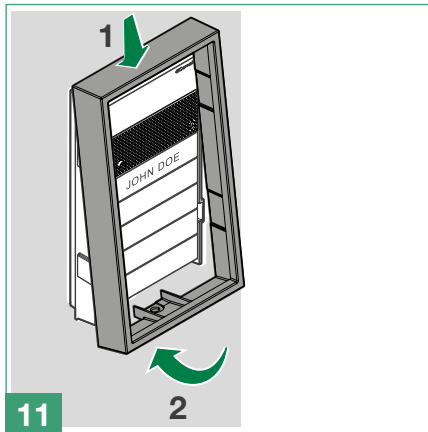
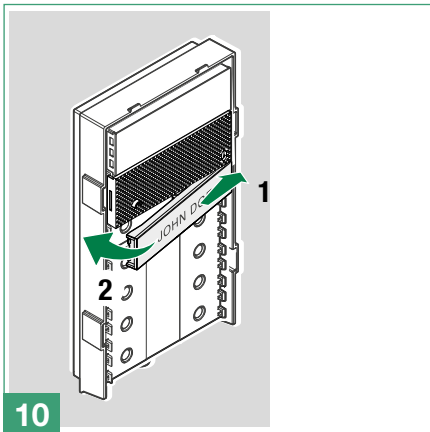




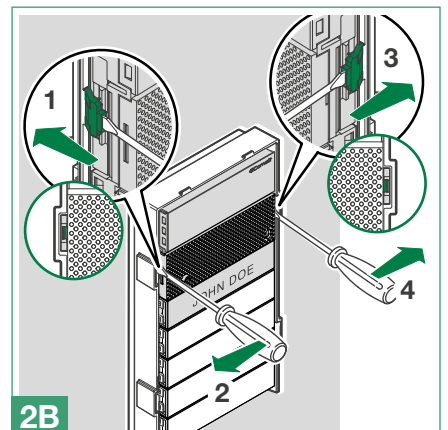
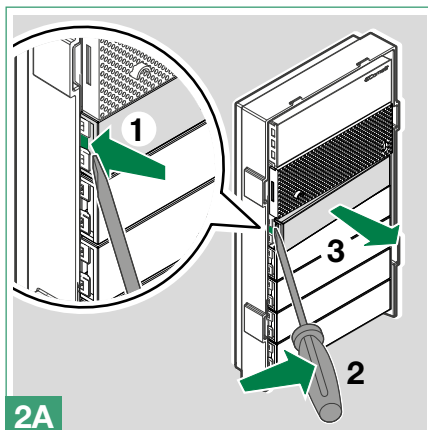
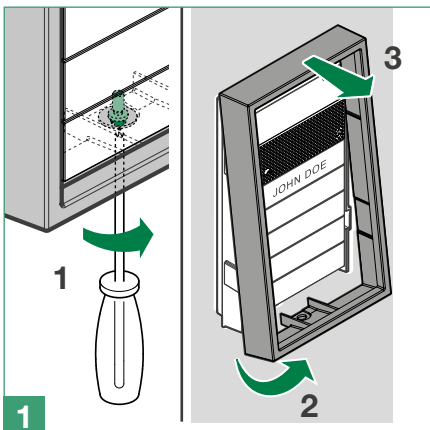
The button has a nameplate which can be written on (A); alternatively, an adhesive label can be applied (B).

The total thickness of the nameplate + adhesive label must not exceed 0.2 mm.

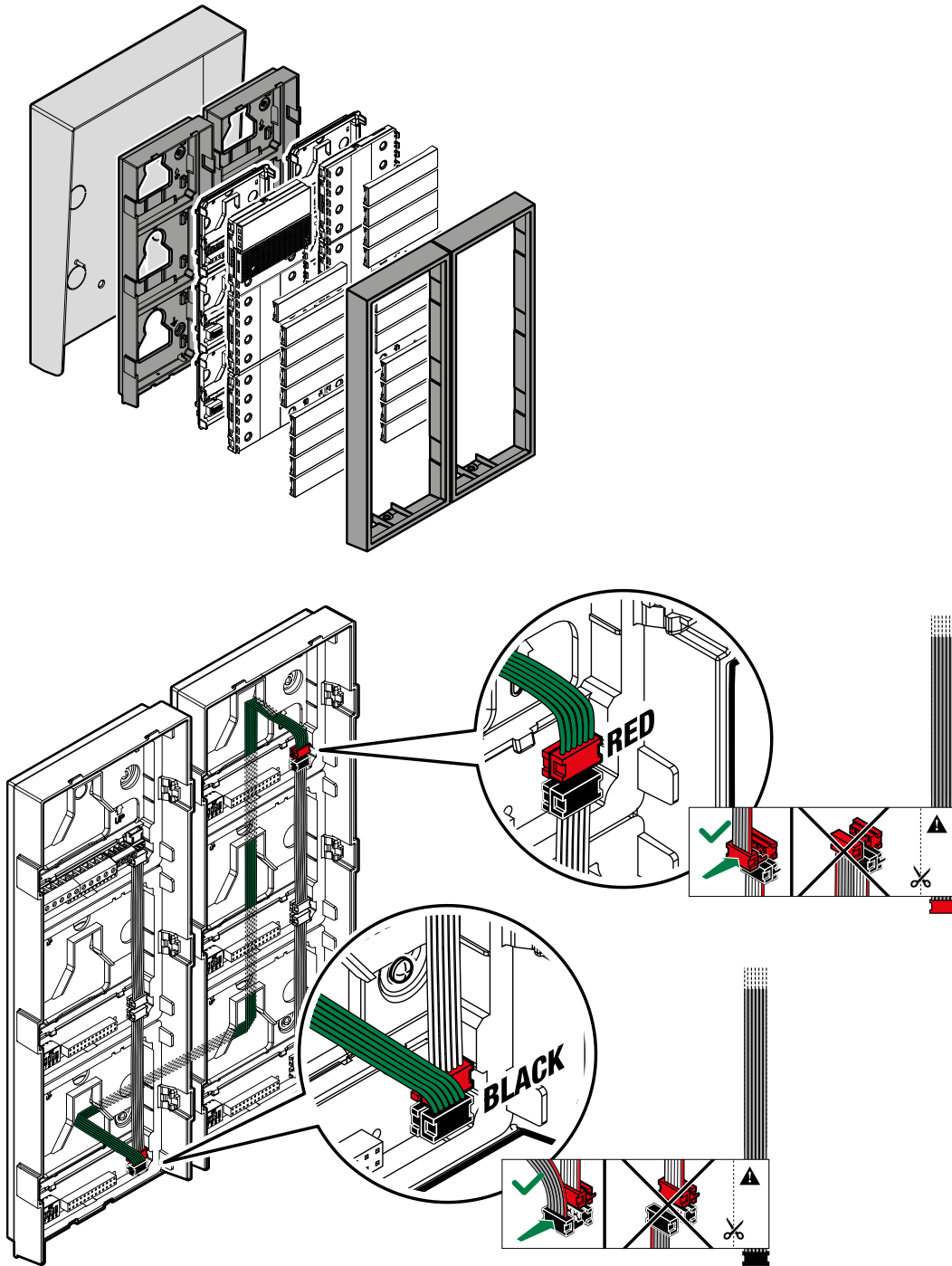
You can visit the website pro.comelitgroup.com to download the PDF to print the entrance panel name cards, using the adhesive pre-cut sheets (C) available in our catalogue (Art. UT9110)



Removing nameplates (2A) / module (2B)

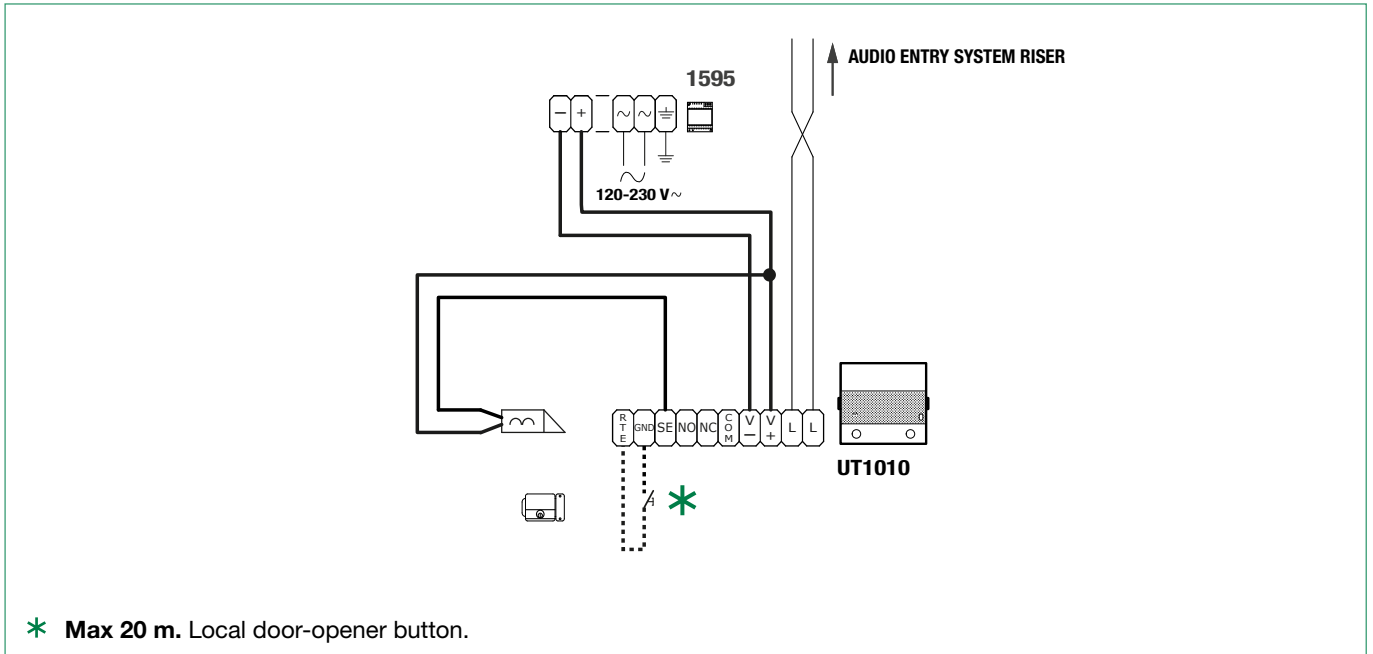


Installation with side-by-side boxes



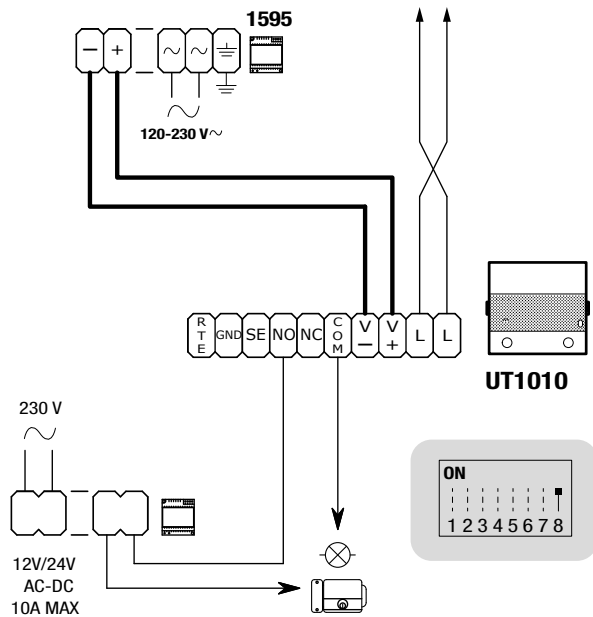
Connections

UT1010 connections



Variants

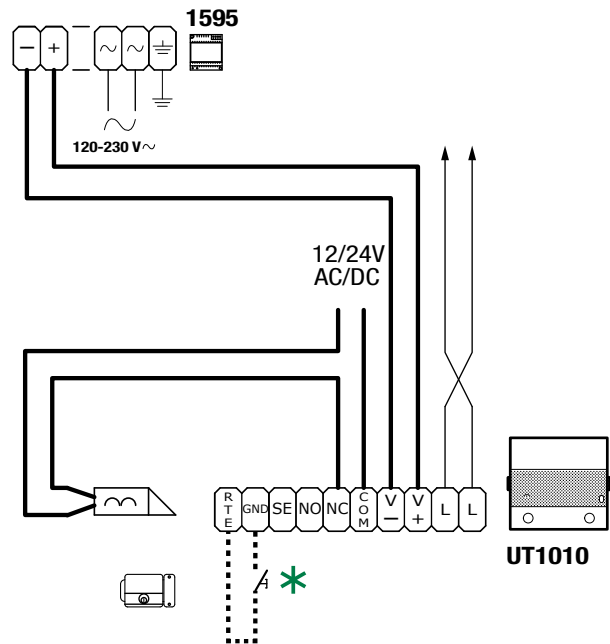
Variant for using the outdoor entrance panel relay



“C.NC.NO relay activation on actuator command: 2 sec”

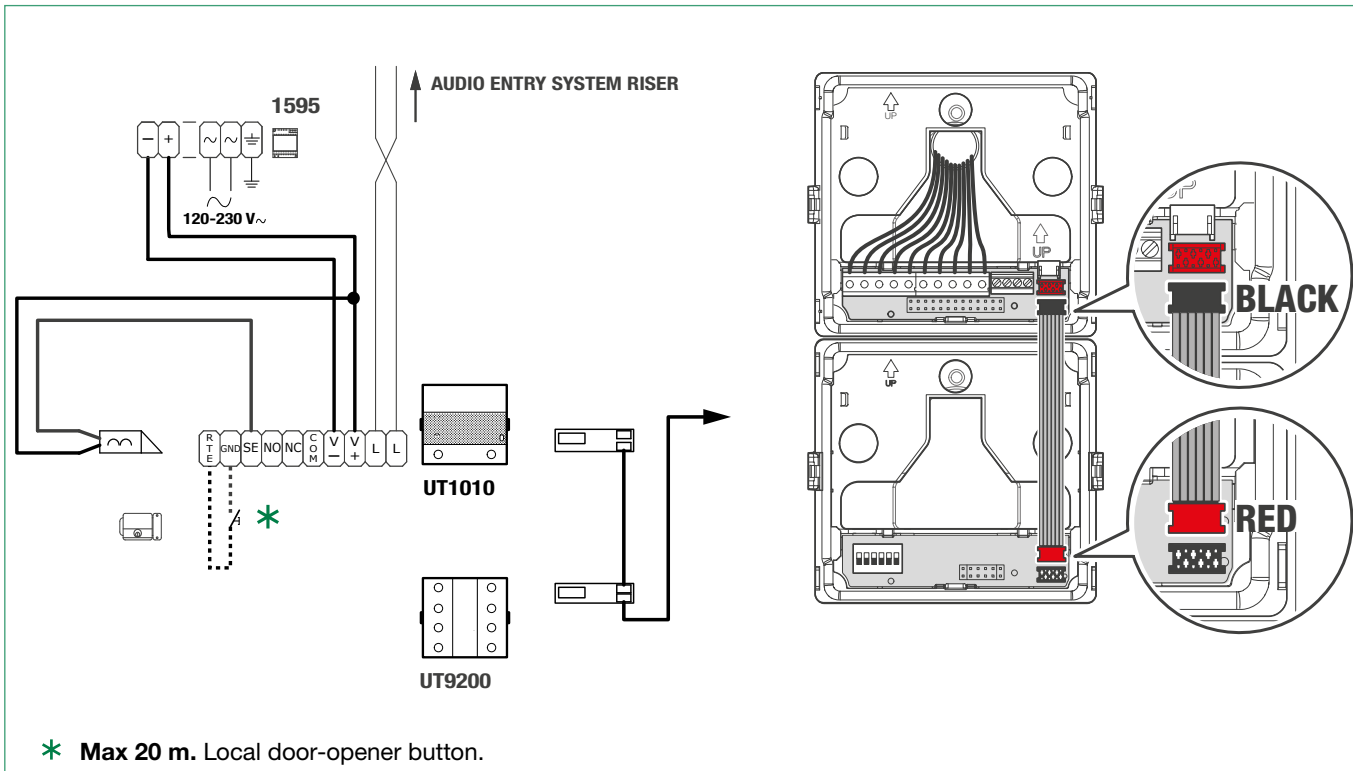
- ▶ Set DIP switch 8 to ON permanently (as shown in the figure)

Variant for using a safety door lock

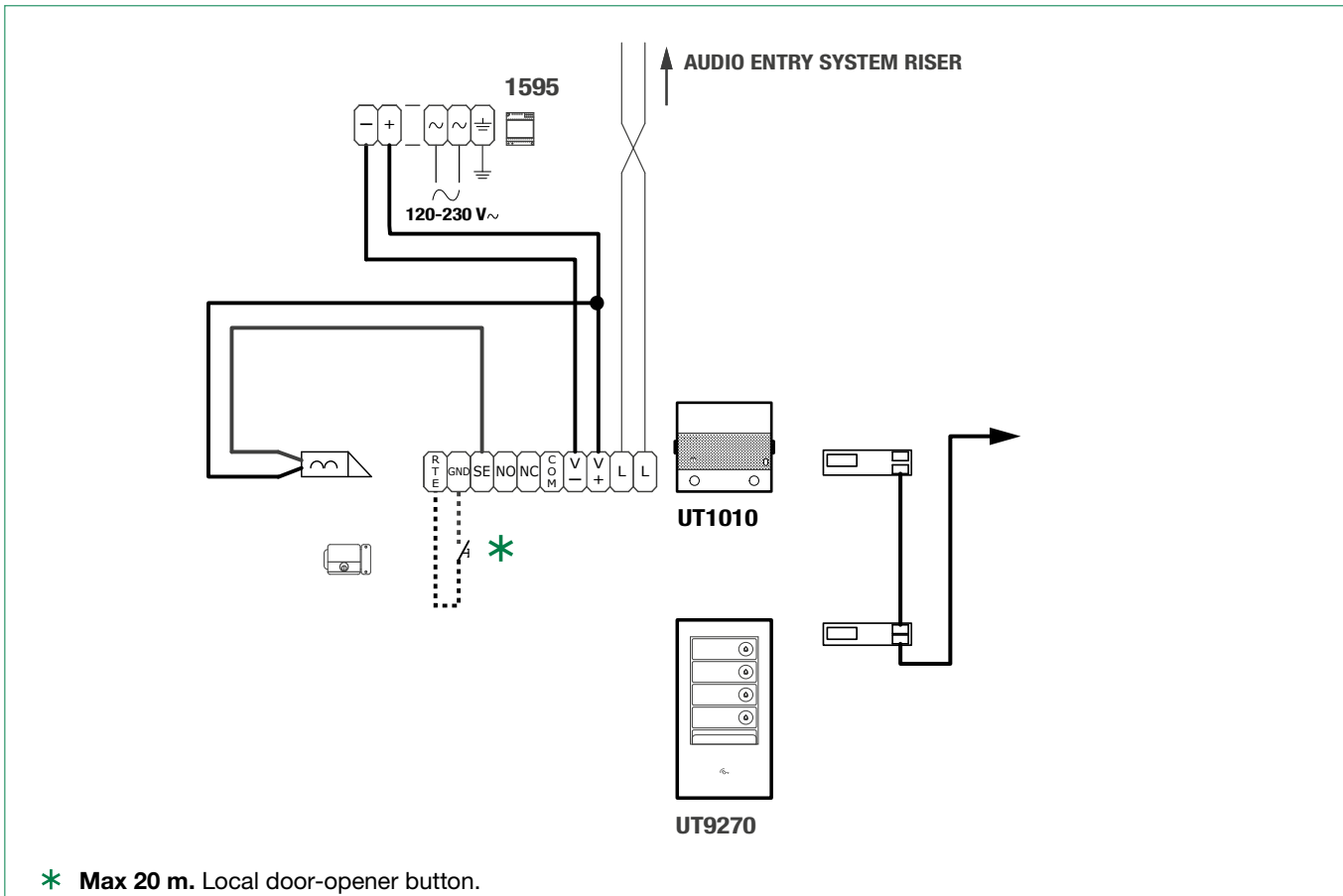


Module connection

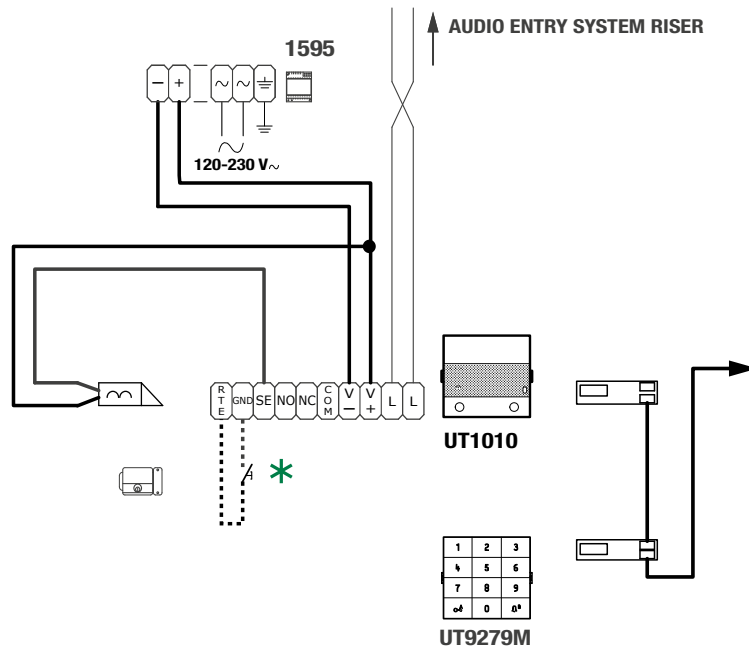
Connection of button modules Art. UT9200



Connection of Touch-screen module Art. UT9270



Connection of numeric keypad module Art. UT9279M



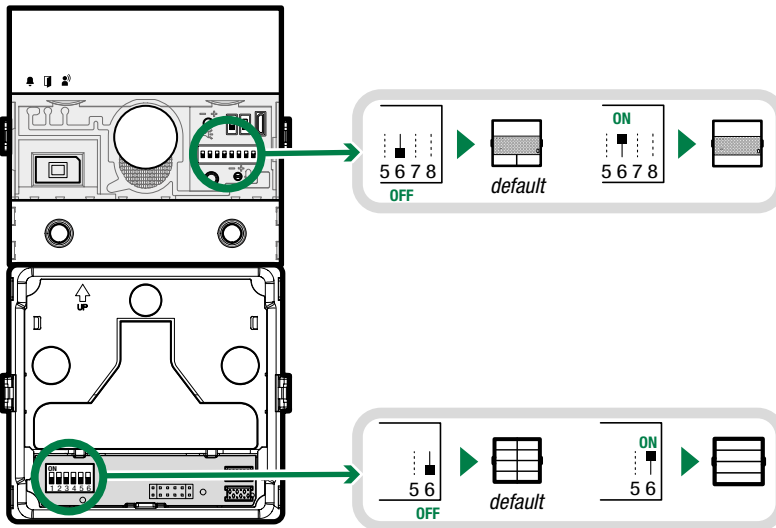
* Max 20 m. Local door-opener button.

Programming

For correct programming, follow the instructions below in order

- I. Configure button type
- II. Address button modules
- III. Program call addresses

I Configure button type (single/dual)



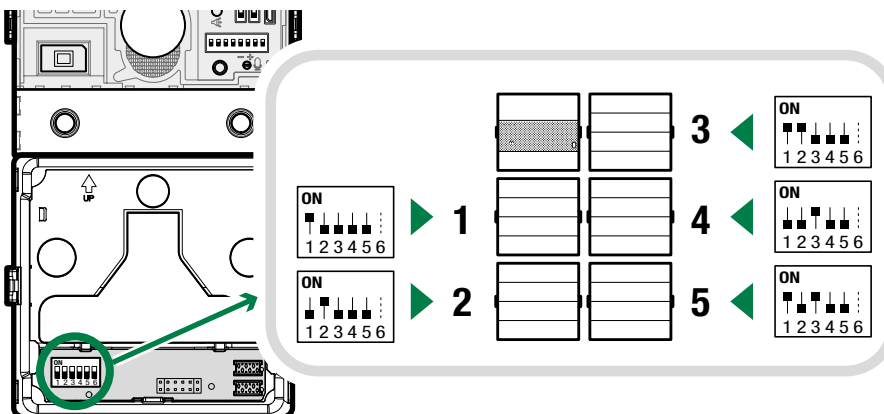
DIP 6: configuring button type:
Single button (**DIP6 ON**).
Dual button (**DIP6 OFF, default**).

DIP 6: configuring button type:
Single button (**DIP6 ON**).
Dual button (**DIP6 OFF, default**).

II Address button modules

DIP 1-5: addressing call button module (see TAB. A)

Addressing call button modules means that, in the event they are replaced, it is not necessary to reprogram the button addresses. All you need to do is assign the same address as before to the new module.



TAB. A

| code | DIP ON | | | | |
|------|--------|----|---------|----|-----------|
| 1 | 1 | 12 | 3,4 | 23 | 1,2,3,5 |
| 2 | 2 | 13 | 1,3,4 | 24 | 4,5 |
| 3 | 1,2 | 14 | 2,3,4 | 25 | 1,4,5 |
| 4 | 3 | 15 | 1,2,3,4 | 26 | 2,4,5 |
| 5 | 1,3 | 16 | 5 | 27 | 1,2,4,5 |
| 6 | 2,3 | 17 | 1,5 | 28 | 3,4,5 |
| 7 | 1,2,3 | 18 | 2,5 | 29 | 1,3,4,5 |
| 8 | 4 | 19 | 1,2,5 | 30 | 2,3,4,5 |
| 9 | 1,4 | 20 | 3,5 | 31 | 1,2,3,4,5 |
| 10 | 2,4 | 21 | 1,3,5 | | |
| 11 | 1,2,4 | 22 | 2,3,5 | | |

III Program call addresses

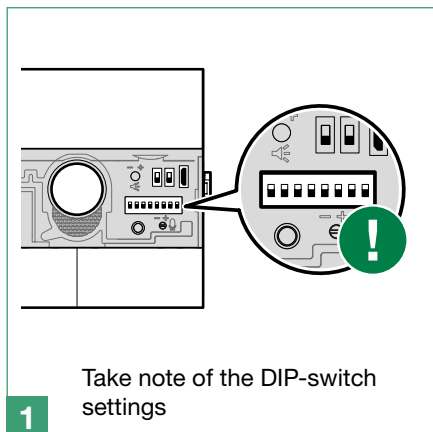
There are 2 programming methods:

- **Smart programming of consecutive addresses:** allows quick programming of buttons with consecutive addresses (e.g.: 1, 2, 3, 4)
- **Programming of specific addresses:** allows programming of specific addresses (e.g.: 25, 37, 70, 58)

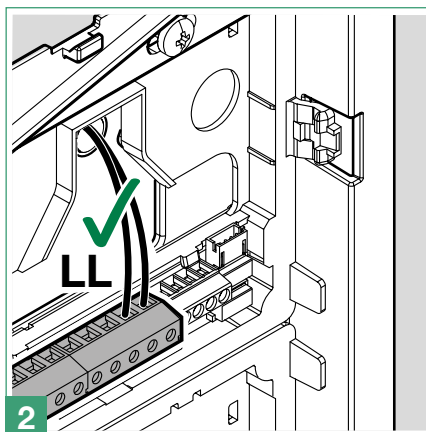
Smart programming of consecutive addresses



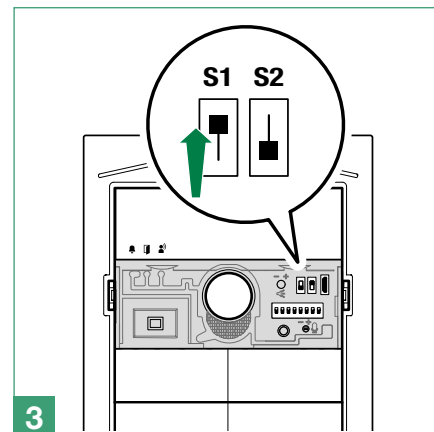
Make sure the button configuration (single/dual) is correct before proceeding with programming (see [“Configure button type \(single/dual\)”](#))



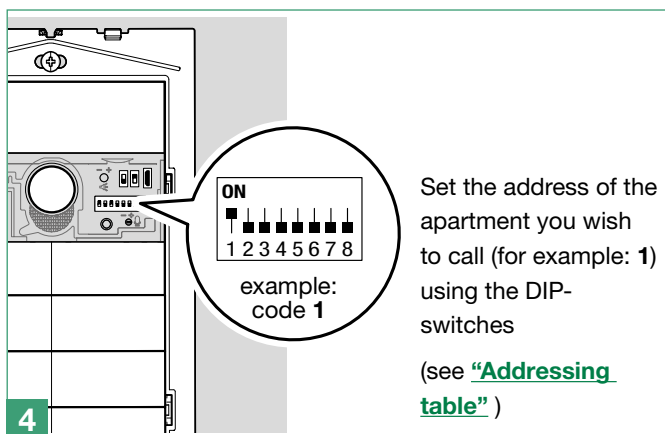
1 Take note of the DIP-switch settings



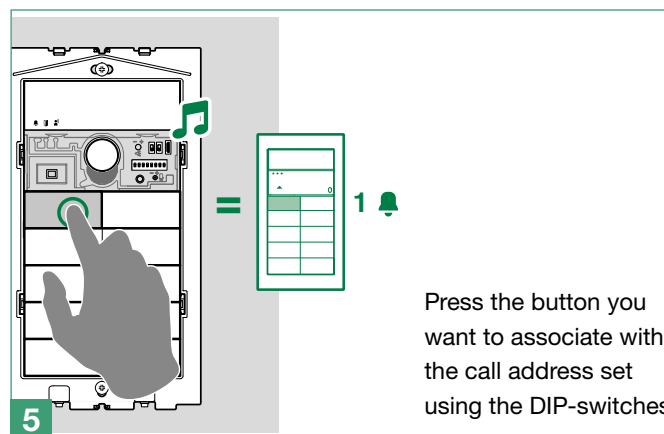
2



3

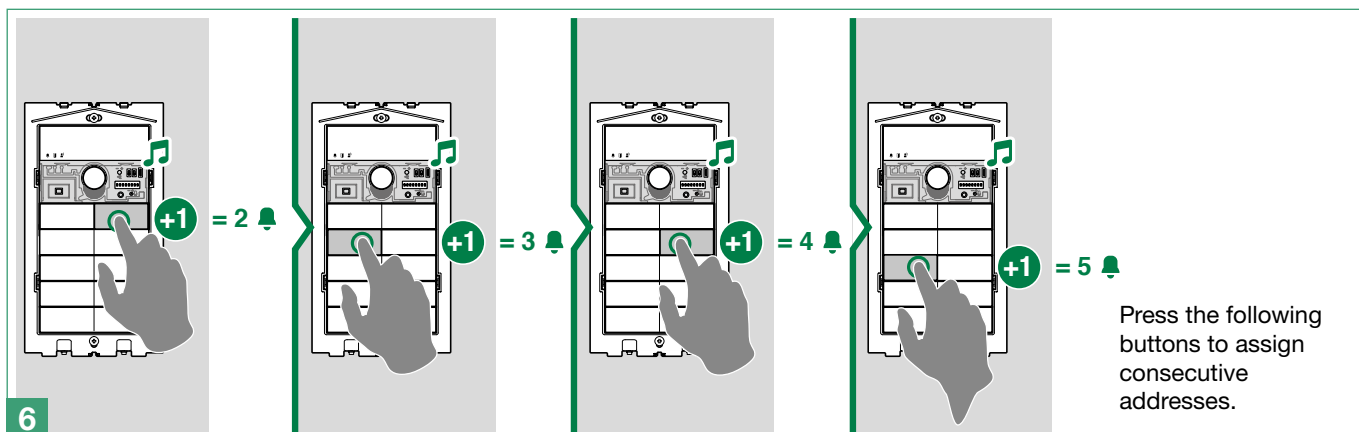


4 Set the address of the apartment you wish to call (for example: 1) using the DIP-switches (see [“Addressing table”](#))



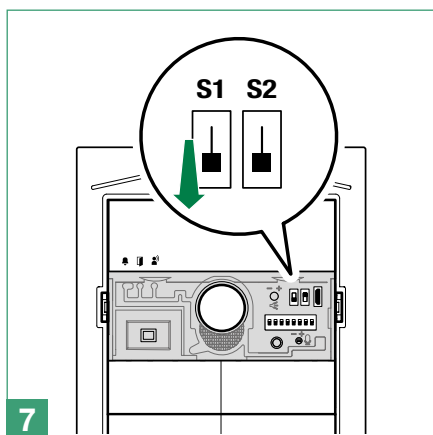
5

Press the button you want to associate with the call address set using the DIP-switches

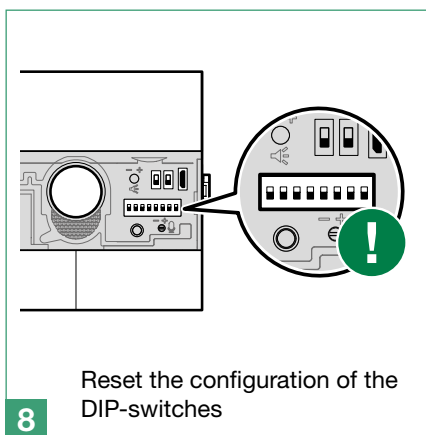


6

Press the following buttons to assign consecutive addresses.



7



8

Reset the configuration of the DIP-switches

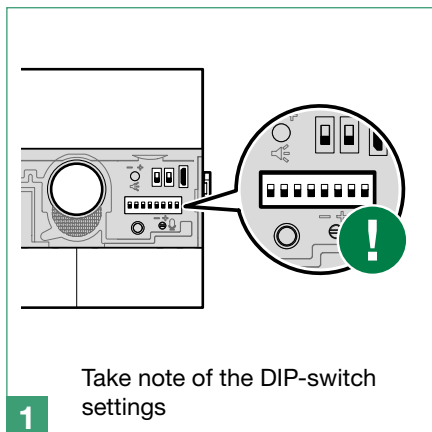


When programming is complete, make sure the button configuration is correct (single/dual), see [“Configure button type \(single/dual\)”](#)

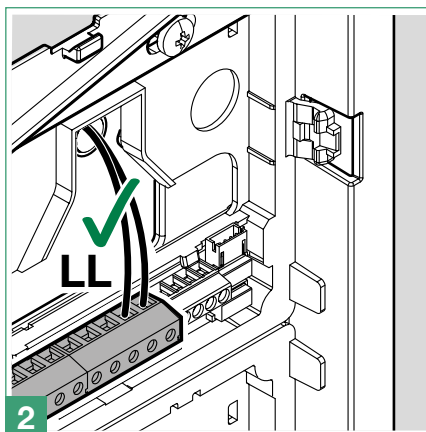
Programming of specific addresses



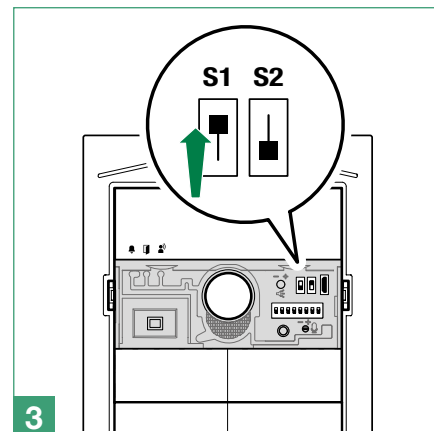
Make sure the button configuration (single/dual) is correct before proceeding with programming (see [“Configure button type \(single/dual\)”](#))



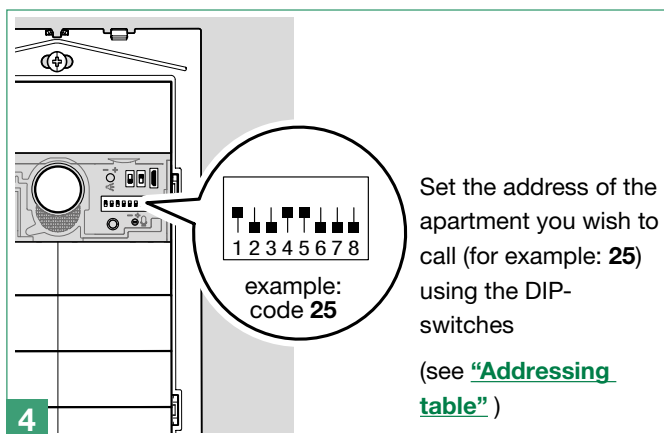
1 Take note of the DIP-switch settings



2

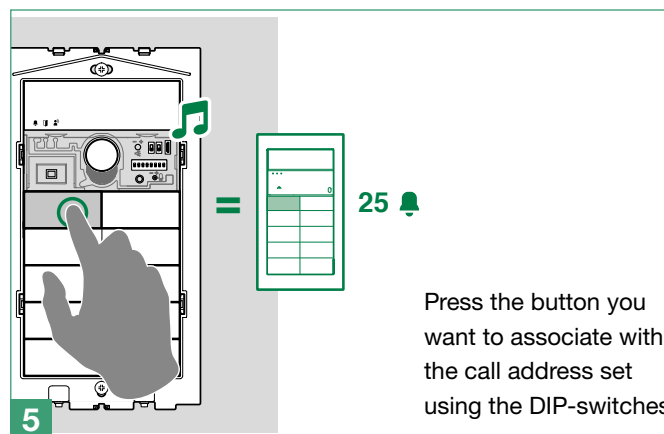


3



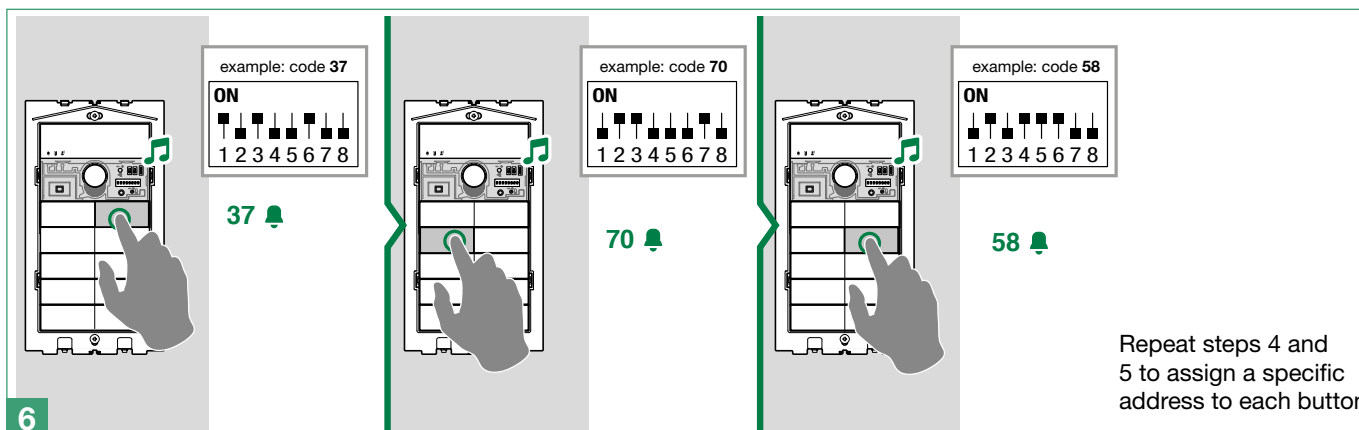
4

Set the address of the apartment you wish to call (for example: 25) using the DIP-switches (see [“Addressing table”](#))



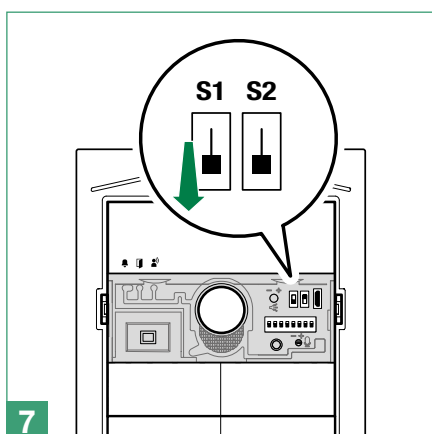
5

Press the button you want to associate with the call address set using the DIP-switches

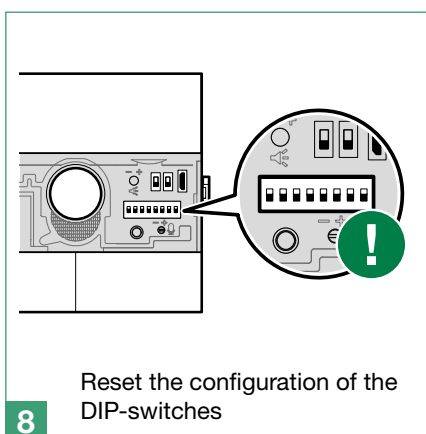


6

Repeat steps 4 and 5 to assign a specific address to each button



7



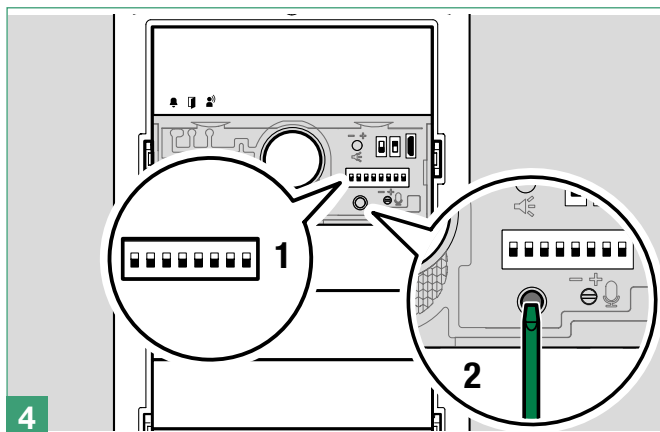
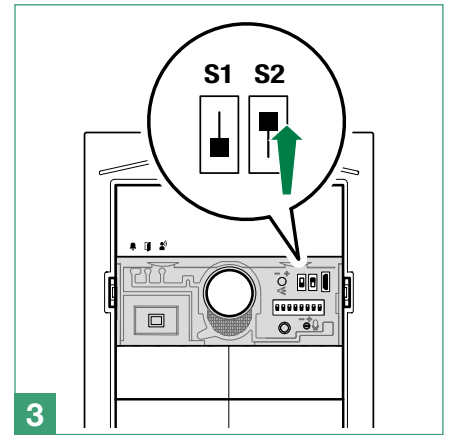
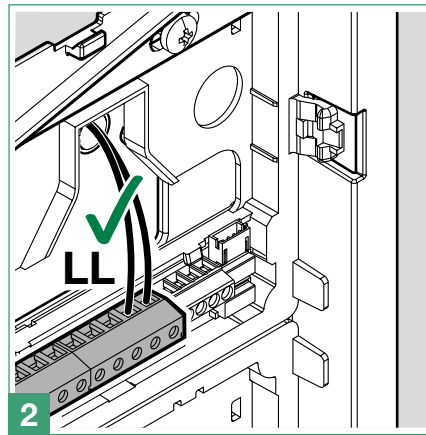
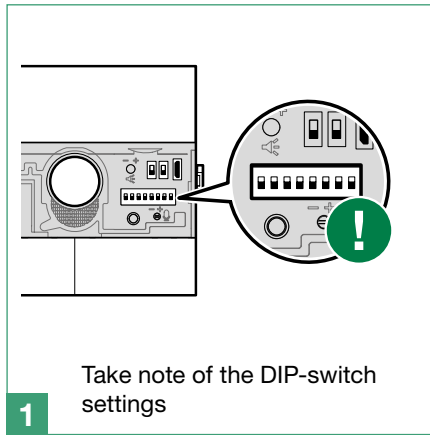
8

Reset the configuration of the DIP-switches

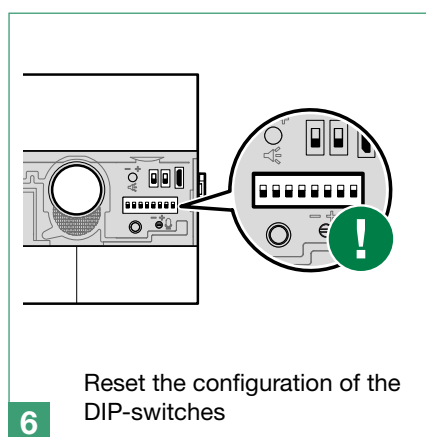
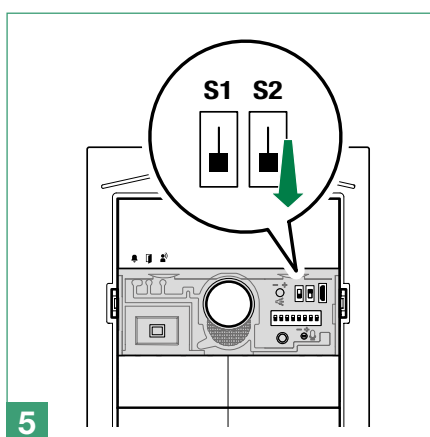


When programming is complete, make sure the button configuration is correct (single/dual), see [“Configure button type \(single/dual\)”](#)

Special programming via DIP-switch



1. Set the dip switches in accordance with the function you wish to program (see [table](#)).
2. Press the confirm button.



! When programming is complete, make sure the button configuration is correct (single/dual), see [“Configure button type \(single/dual\)”](#)

Special programming table

| CODE | DIP SWITCHES ON | FUNCTIONS |
|------|-----------------|---|
| | | Audio-visual messages |
| 195 | 1,2,7,8 | Hebrew |
| 196 | 3,7,8 | Polish |
| 197 | 1,3,7,8 | Catalan |
| 198 | 2,3,7,8 | Galician |
| 199 | 1,2,3,7,8 | Basque |
| 206 | 2,3,4,7,8 | Danish |
| 207 | 1,2,3,4,7,8 | Norwegian |
| 211 | 1,2,5,7,8 | Swedish |
| 215 | 1,2,3,5,7,8 | Italian |
| 216 | 4,5,7,8 | French |
| 217 | 1,4,5,7,8 | Spanish |
| 218 | 2,4,5,7,8 | Dutch |
| 219 | 1,2,4,5,7,8 | Greek |
| 220 | 3,4,5,7,8 | English |
| 221 | 1,3,4,5,7,8 | German |
| 222 | 2,3,4,5,7,8 | Portuguese |
| | | |
| 202 | 2,4,7,8 | Enables voice message (door opened warning) when the RTE contact is closed |
| 203 | 1,2,4,7,8 | Disables voice message (door opened warning) when the RTE contact is closed (default setting) |
| 210 | 2,5,7,8 | Enables visual messages and disables voice messages (default) |
| 214 | 2,3,5,7,8 | OFF: disables voice and visual messages |
| | | |
| | | Actuator command management N.B. Art. 1256 in generic actuator mode must not be present in the system. |
| 229 | 1,3,6,7,8 | C.NC.NO relay activation on actuator command: 2 sec (default) |
| 230 | 2,3,6,7,8 | C.NC.NO relay activation on actuator command: 4 sec |
| 231 | 1,2,3,6,7,8 | C.NC.NO relay activation on actuator command: 8 sec |
| | | |
| | | Door lock |
| 223 | 1,2,3,4,5,7,8 | Door lock command on SE in AC (default) |
| 224 | 6,7,8 | Door lock command on SE in enhanced AC |
| 225 | 1,6,7,8 | Door lock command on SE in DC |
| | | |
| 241 | 1,5,6,7,8 | Management of internal units connected to Art. UT1020: up to 70 (default) |
| 242 | 2,5,6,7,8 | Management of internal units connected to Art. UT1020: from 71 to 100 |
| | | |
| 245 | 1,3,5,6,7,8 | Door lock time: 2 sec + disabling tone (default) |
| 246 | 2,3,5,6,7,8 | Door lock time: 4 sec |
| 247 | 1,2,3,5,6,7,8 | Door lock time: 8 sec |
| | | |
| 248 | 4,5,6,7,8 | Door lock confirmation tone: enabled |
| | | |
| 252 | 3,4,5,6,7,8 | Lock-release always enabled (default) |
| 253 | 1,3,4,5,6,7,8 | Lock-release only enabled for user called |
| | | |
| | | System functions |
| 232 | 4,6,7,8 | Awaiting response time: 60 sec (default) |
| 233 | 1,4,6,7,8 | Awaiting response time: 120 sec |
| 234 | 2,4,6,7,8 | Awaiting response time: 30 sec |
| | | |
| 235 | 1,2,4,6,7,8 | Talk time: 90 sec (default) |
| 236 | 3,4,6,7,8 | Talk time: 180 sec |
| | | |
| 145 | 1,5,8 | RTE input set as local lock-release input (default) |
| 146 | 2,5,8 | RTE input set as door open indication |
| | | |
| 154 | 2,4,5,8 | System busy signalling time: 10 sec (default) |
| 155 | 1,2,4,5,8 | System busy signalling time: 300 sec |
| | | |
| 239 | 1,2,3,4,6,7,8 | Confirmation tone on user call = enabled (default) |
| 240 | 5,6,7,8 | Confirmation tone on user call = disabled |

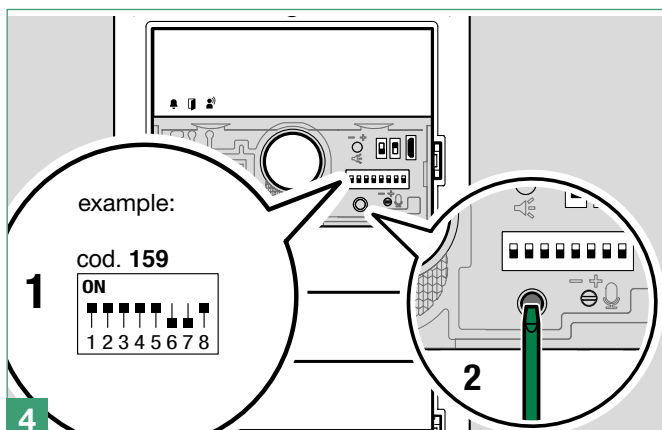
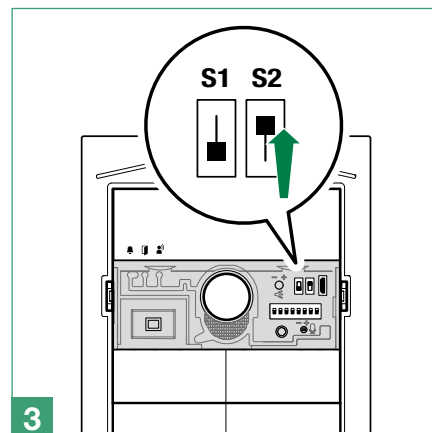
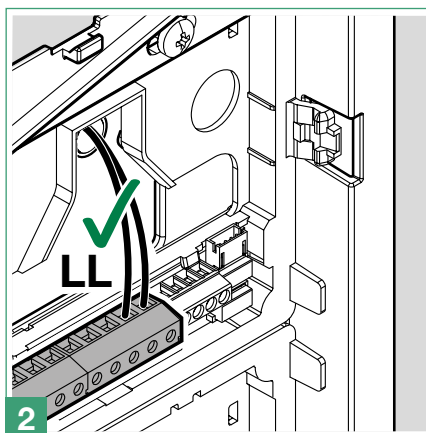
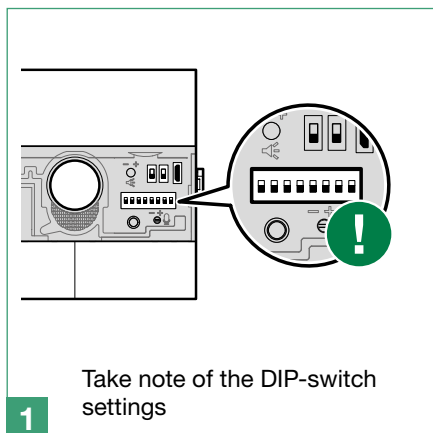
| | | |
|-----|---------------|---|
| | | |
| 243 | 1,2,5,6,7,8 | Reset wait time (after hang-up or after lock-release): 10 sec (default) |
| 244 | 3,5,6,7,8 | Reset wait time (after hang-up or after lock-release): 1 sec |
| | | |
| 208 | 5,7,8 | Enables "Reset wait time" on lock-release command (default) |
| 209 | 1,5,7,8 | Disables "awaiting reset time" on lock-release command (awaiting response time or talk time will be activated)ù |
| | | |
| 249 | 1,4,5,6,7,8 | Send call: single (default) |
| 250 | 2,4,5,6,7,8 | Call transmission: triple |
| | | |
| | | Button tones |
| 142 | 2,3,4,8 | Button press tone ON (default) |
| 143 | 1,2,3,4,8 | Button press tone OFF |
| | | |
| | | Button backlighting management |
| 158 | 2,3,4,5,8 | OFF mode: Button LEDs always off |
| 159 | 1,2,3,4,5,8 | ON mode: Button LEDs always on |
| 160 | 6,8 | AUTO mode: Button LEDs on at night and off during the day, thanks to the twilight sensor (default) |
| | | |
| 161 | 1,6,8 | Enables brightness control for the button LEDs. ▶ Press a button repeatedly for each module to change the individual brightness of the buttons (see: "Adjusting the brightness of the button LEDs") |
| | | |
| 162 | 2,6,8 | Light-me OFF (default) |
| 163 | 1,2,6,8 | Light-me ON: the button LEDs for the audio/video module are always on and when the button is pressed all button LEDs light up (see: "Light-me function behaviour on the basis of the LED backlighting mode") |
| | | |
| 150 | 2,3,5,8 | Light-me time: 30 sec |
| 151 | 1,2,3,5,8 | Light-me time: 60 sec (default) |
| 152 | 4,5,8 | Light-me time: 120 sec |
| | | |
| | | Restore backup |
| 114 | 2,5,6,7 | If the audio/video module is replaced, all programming is imported (only available if at least one additional module is connected vi flat cable) |
| | | |
| | | Reset |
| 115 | 1,2,5,6,7 | Reset button programming: if the modules are addressed (see "Address button modules") this resets the programming for the button call addresses |
| 254 | 2,3,4,5,6,7,8 | Reset special programming: restore all the parameters described in this table to their default values |

Twilight sensor

Button backlighting management

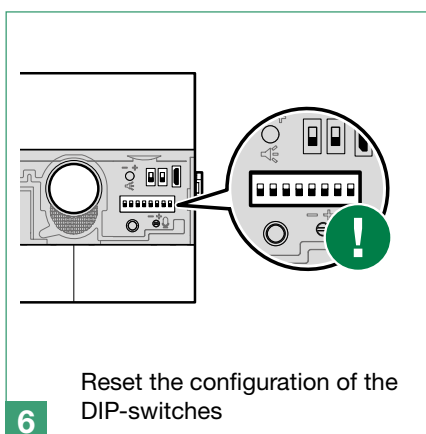
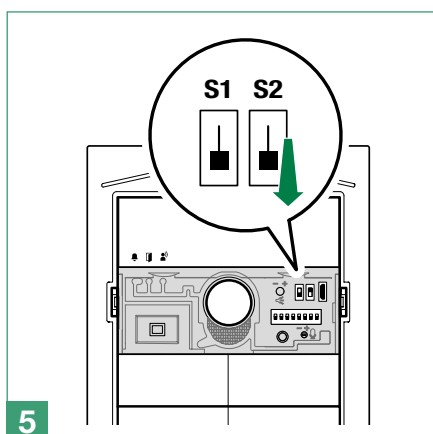


The twilight sensor is in **AUTO** mode by default: the button LEDs light up at night and switch off during the day. To change the setting to **ON** (LEDs always on) or **OFF** (LEDs always off), proceed as follows:



Set the desired backlighting mode (OFF, ON or AUTO) and press the confirm button.

| OFF | ON | AUTO (default) |
|-----------------------------------|-----------------------------------|-----------------------------------|
| ON 1 2 3 4 5 6 7 8 cod. 158 | ON 1 2 3 4 5 6 7 8 cod. 159 | ON 1 2 3 4 5 6 7 8 cod. 160 |



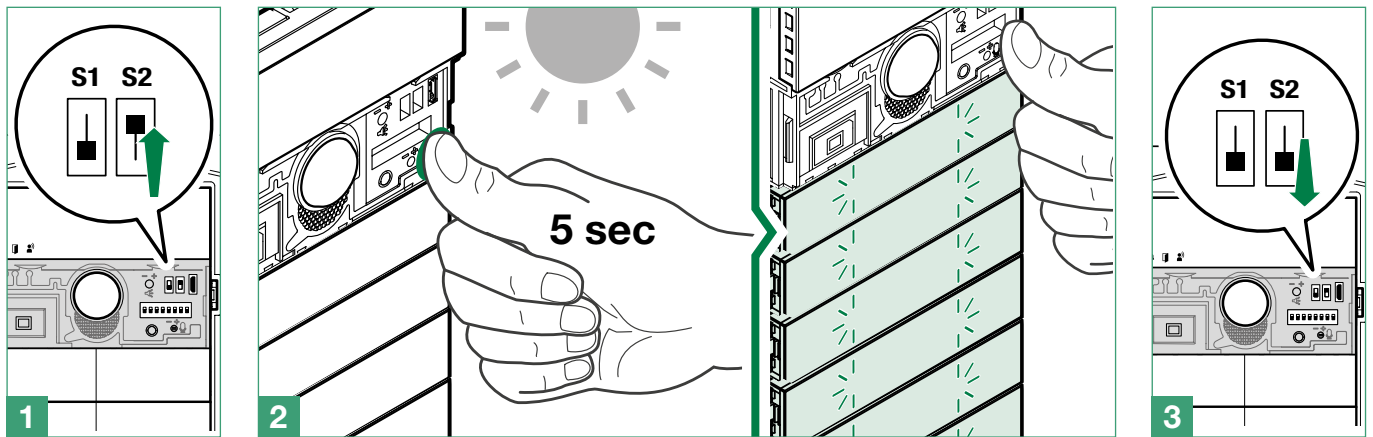
When programming is complete, make sure the button configuration is correct (single/dual), see [“Configure button type \(single/dual\)”](#)



NOTE: when the OFF and AUTO lighting modes are active, every time the entrance panel is powered, the buttons light up for the duration of the start-up phase (10 seconds maximum).

In AUTO mode the twilight sensor checks the ambient light level every 9 minutes; if the measured values exceed the specified minimum/maximum thresholds, it is activated/deactivated accordingly.

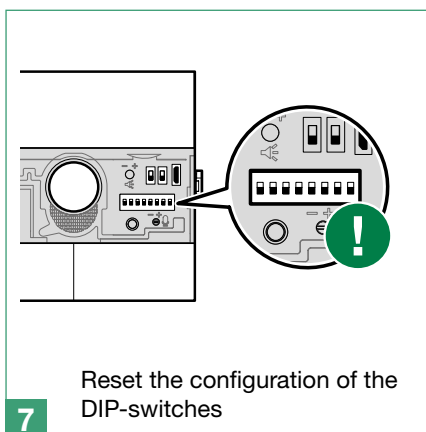
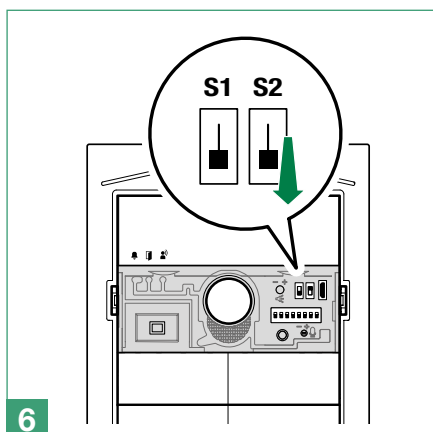
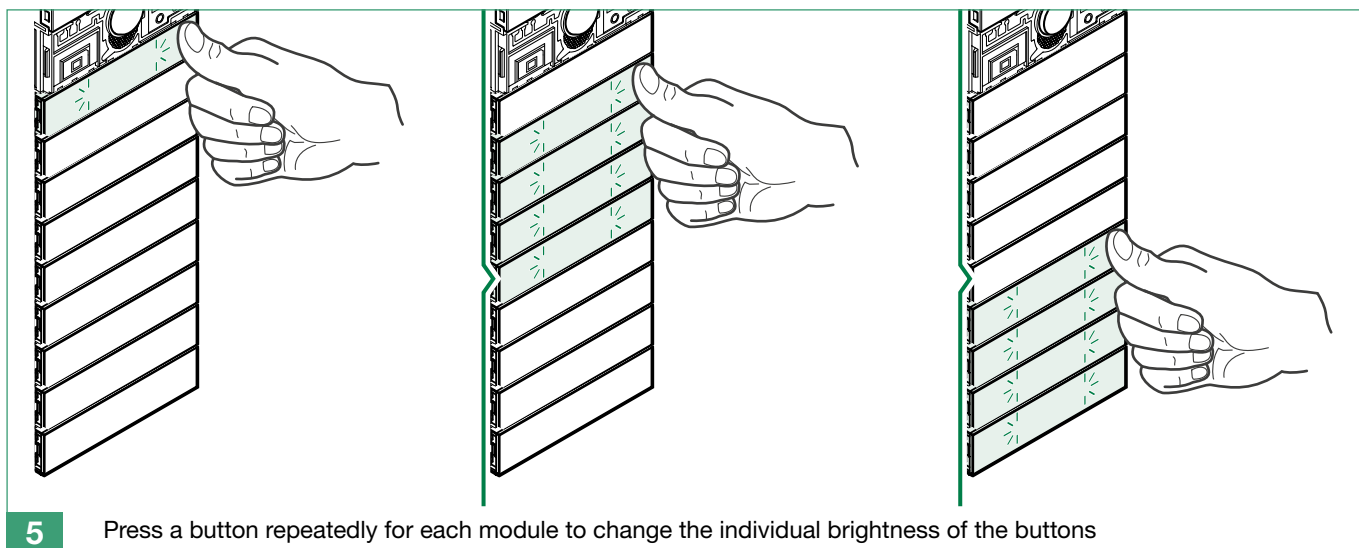
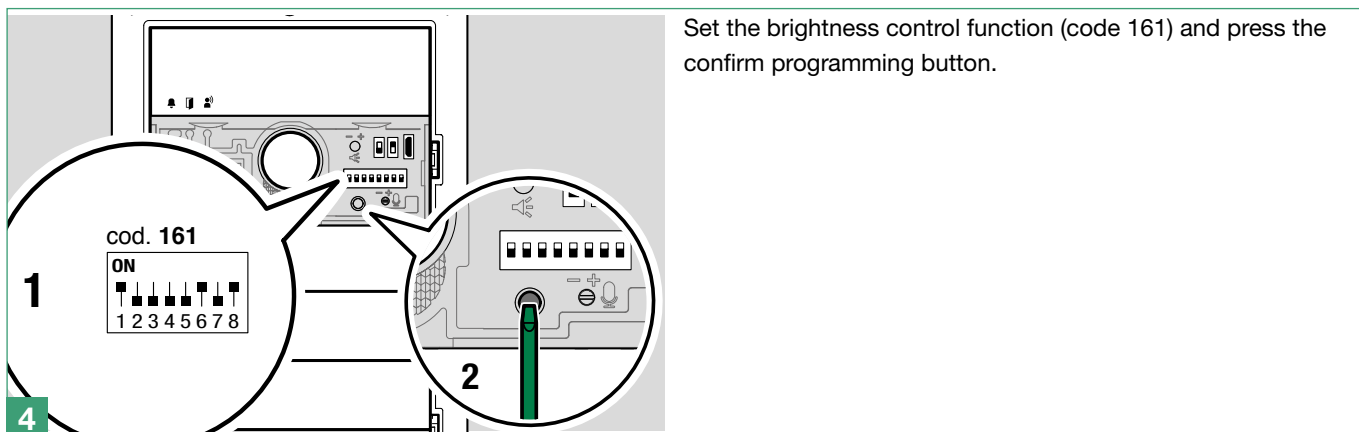
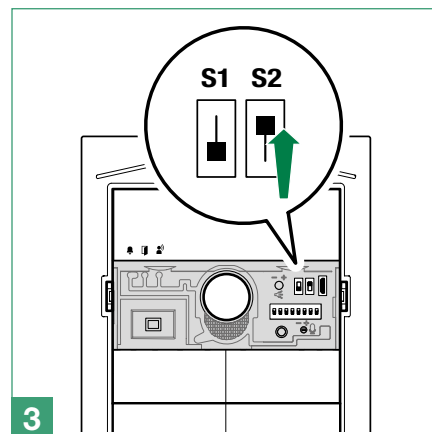
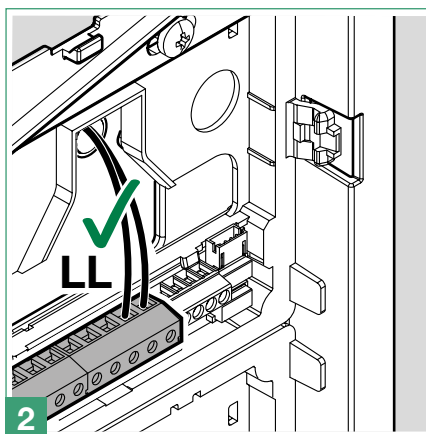
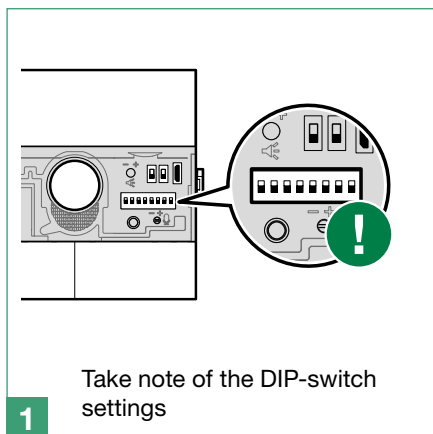
Checking twilight sensor operation



If it is daytime and you want to check AUTO mode operation for the twilight sensor, you can proceed as follows:

1. Enter programming mode
2. Block the twilight sensor for 5 seconds
 - » If AUTO mode has been set, the camera and button LEDs will come on.
3. Exit programming

Adjusting the brightness of the button LEDs



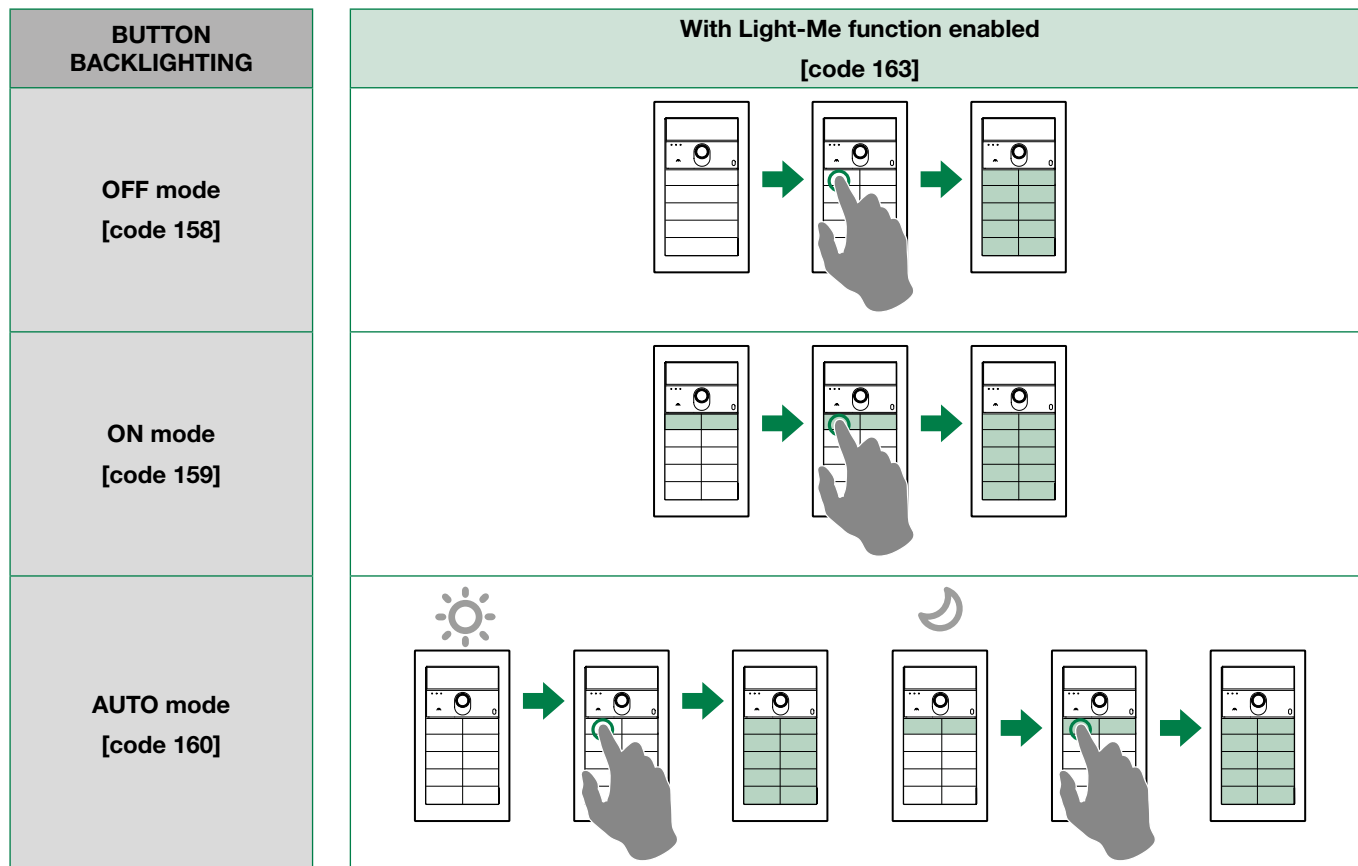
! When programming is complete, make sure the button configuration is correct (single/dual), see [“Configure button type \(single/dual\)”](#)

Light-me function

Thanks to this function, button backlighting is only enabled on the user's request, by pressing the LIGHT-ME button on the audio/video module; this saves energy and reduces light pollution.

Backlighting management for this button depends on the twilight sensor setting. It is in AUTO mode by default: the LEDs light up at night and switch off during the day. It can be set to ON (LEDs always on) or OFF (LEDs always off).

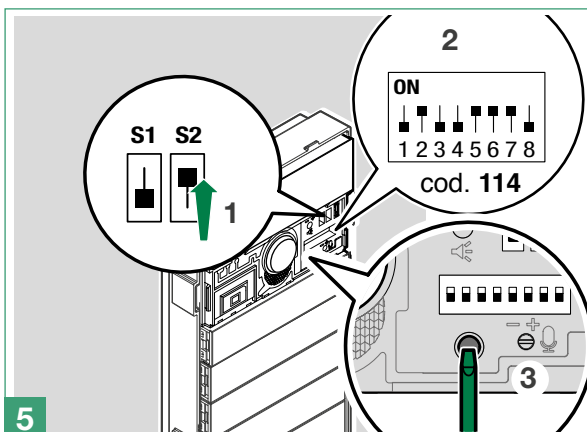
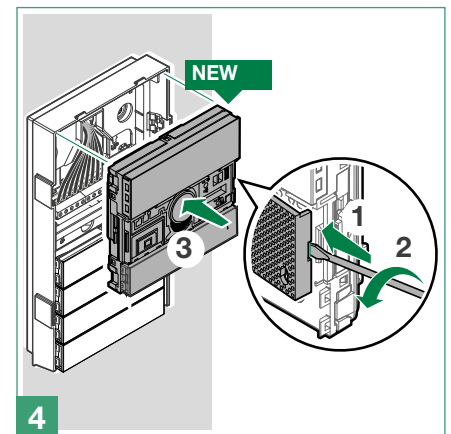
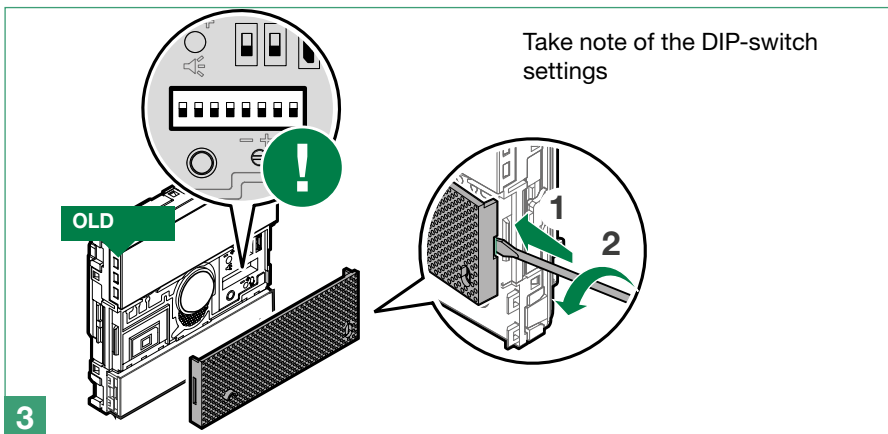
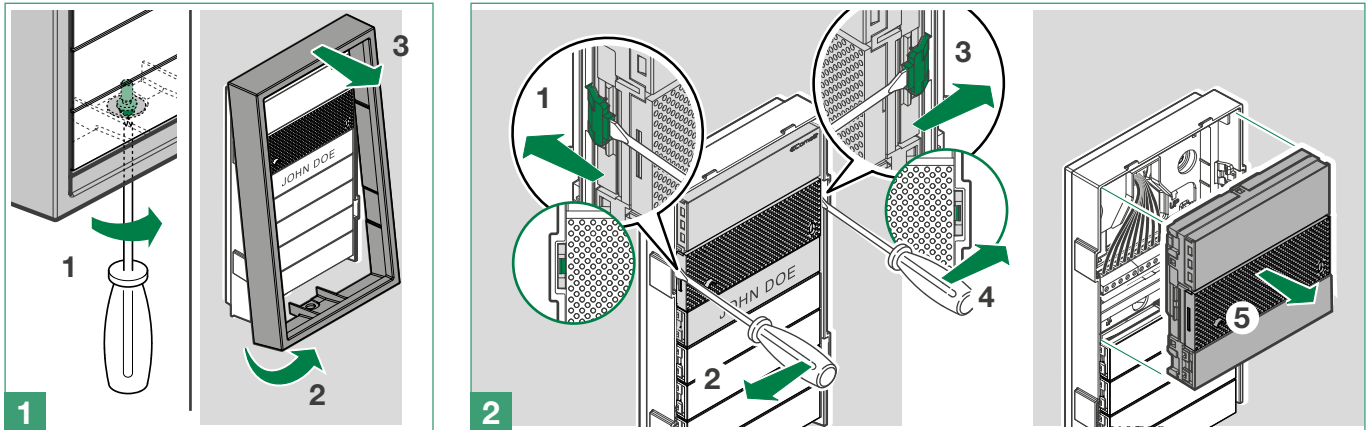
Light-me function behaviour on the basis of the LED backlighting mode



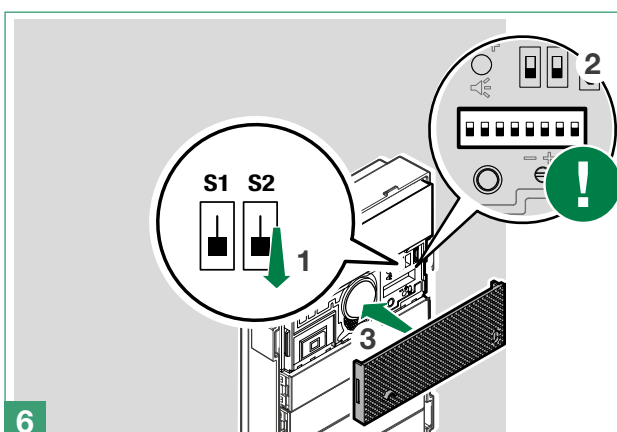
Replacing the audio module with programming restore backup



If the audio or audio/video module is replaced, the following instructions must be observed. The procedure should be completed within one hour of removal of the old module.



1. Enter programming mode by moving **S2** DIP-switch upwards
 - » the red "system busy" LED flashes for the duration of the procedure
2. Set special programming **114** to import all the programming settings
3. Press the confirm programming button
 - » the green "lock-release" LED will start flashing
 - » at the end of the backup (approx. 30 sec.):
 - » the green "lock-release" LED switches off
 - » the green "audio enabled" LED comes on for a few seconds.

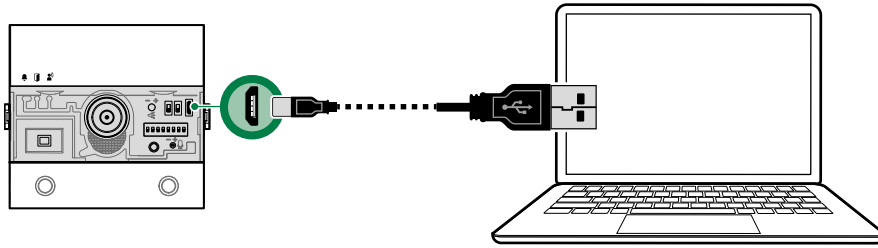


1. Exit programming mode by moving the **S2** DIP-switch downwards
 - » the red "system busy" LED switches off
2. Reset the configuration of the DIP-switches
3. Reattach the front panel



Configuring via PC

All device configurations can be performed via PC and ViP Manager configuration software, available to download free of charge from pro.comelitgroup.com.

✓ You will need a USB micro-USB cable.



Errors and indications

| | INDICATION | SOLUTION |
|---|--|---|
| RED LED  LIT STEADILY + DISSUASION TONE | Line short-circuit | Check connections |
| | Dual power supply present | Remove jumper J4 on the audio module |
| | Button modules with the same ID | Check the module IDs |
| | Programming selector positioning error | Check the position of selectors S1 and S2 (they cannot both be set to ON) |
| RED LED  FLASHING | Device in programming | |

System performance and layouts

For further information regarding system performance and to view installation layouts, click on the system type:

- [Simplebus1 audio](#)

Addressing table

| Code | Dip switch ON | | | | | | | | | | | | | | |
|------|---------------|----|-----------|----|-------------|-----|-------------|-----|---------------|-----|-------------|-----|---------------|------|---------------|
| 1 | 1 | 31 | 1,2,3,4,5 | 61 | 1,3,4,5,6 | 91 | 1,2,4,5,7 | 121 | 1,4,5,6,7 | 151 | 1,2,3,5,8 | 181 | 1,3,5,6,8 | 211 | 1,2,5,7,8 |
| 2 | 2 | 32 | 6 | 62 | 2,3,4,5,6 | 92 | 3,4,5,7 | 122 | 2,4,5,6,7 | 152 | 4,5,8 | 182 | 2,3,5,6,8 | 212 | 3,5,7,8 |
| 3 | 1.2 | 33 | 1.6 | 63 | 1,2,3,4,5,6 | 93 | 1,3,4,5,7 | 123 | 1,2,4,5,6,7 | 153 | 1,4,5,8 | 183 | 1,2,3,5,6,8 | 213 | 1,3,5,7,8 |
| 4 | 3 | 34 | 2.6 | 64 | 7 | 94 | 2,3,4,5,7 | 124 | 3,4,5,6,7 | 154 | 2,4,5,8 | 184 | 4,5,6,8 | 214 | 2,3,5,7,8 |
| 5 | 1.3 | 35 | 1,2,6 | 65 | 1.7 | 95 | 1,2,3,4,5,7 | 125 | 1,3,4,5,6,7 | 155 | 1,2,4,5,8 | 185 | 1,4,5,6,8 | 215 | 1,2,3,5,7,8 |
| 6 | 2.3 | 36 | 3.6 | 66 | 2.7 | 96 | 6.7 | 126 | 2,3,4,5,6,7 | 156 | 3,4,5,8 | 186 | 2,4,5,6,8 | 216 | 4,5,7,8 |
| 7 | 1,2,3 | 37 | 1,3,6 | 67 | 1,2,7 | 97 | 1,6,7 | 127 | 1,2,3,4,5,6,7 | 157 | 1,3,4,5,8 | 187 | 1,2,4,5,6,8 | 217 | 1,4,5,7,8 |
| 8 | 4 | 38 | 2,3,6 | 68 | 3.7 | 98 | 2,6,7 | 128 | 8 | 158 | 2,3,4,5,8 | 188 | 3,4,5,6,8 | 218 | 2,4,5,7,8 |
| 9 | 1.4 | 39 | 1,2,3,6 | 69 | 1,3,7 | 99 | 1,2,6,7 | 129 | 1.8 | 159 | 1,2,3,4,5,8 | 189 | 1,3,4,5,6,8 | 219 | 1,2,4,5,7,8 |
| 10 | 2.4 | 40 | 4.6 | 70 | 2,3,7 | 100 | 3,6,7 | 130 | 2.8 | 160 | 6.8 | 190 | 2,3,4,5,6,8 | 220 | 3,4,5,7,8 |
| 11 | 1,2,4 | 41 | 1,4,6 | 71 | 1,2,3,7 | 101 | 1,3,6,7 | 131 | 1,2,8 | 161 | 1,6,8 | 191 | 1,2,3,4,5,6,8 | 221 | 1,3,4,5,7,8 |
| 12 | 3.4 | 42 | 2,4,6 | 72 | 4.7 | 102 | 2,3,6,7 | 132 | 3.8 | 162 | 2,6,8 | 192 | 7.8 | 222 | 2,3,4,5,7,8 |
| 13 | 1,3,4 | 43 | 1,2,4,6 | 73 | 1,4,7 | 103 | 1,2,3,6,7 | 133 | 1,3,8 | 163 | 1,2,6,8 | 193 | 1,7,8 | 223 | 1,2,3,4,5,7,8 |
| 14 | 2,3,4 | 44 | 3,4,6 | 74 | 2,4,7 | 104 | 4,6,7 | 134 | 2,3,8 | 164 | 3,6,8 | 194 | 2,7,8 | 224 | 6,7,8 |
| 15 | 1,2,3,4 | 45 | 1,3,4,6 | 75 | 1,2,4,7 | 105 | 1,4,6,7 | 135 | 1,2,3,8 | 165 | 1,3,6,8 | 195 | 1,2,7,8 | 225 | 1,6,7,8 |
| 16 | 5 | 46 | 2,3,4,6 | 76 | 3,4,7 | 106 | 2,4,6,7 | 136 | 4.8 | 166 | 2,3,6,8 | 196 | 3,7,8 | 226 | 2,6,7,8 |
| 17 | 1.5 | 47 | 1,2,3,4,6 | 77 | 1,3,4,7 | 107 | 1,2,4,6,7 | 137 | 1,4,8 | 167 | 1,2,3,6,8 | 197 | 1,3,7,8 | 227 | 1,2,6,7,8 |
| 18 | 2.5 | 48 | 5.6 | 78 | 2,3,4,7 | 108 | 3,4,6,7 | 138 | 2,4,8 | 168 | 4,6,8 | 198 | 2,3,7,8 | 228 | 3,6,7,8 |
| 19 | 1,2,5 | 49 | 1,5,6 | 79 | 1,2,3,4,7 | 109 | 1,3,4,6,7 | 139 | 1,2,4,8 | 169 | 1,4,6,8 | 199 | 1,2,3,7,8 | 229 | 1,3,6,7,8 |
| 20 | 3.5 | 50 | 2,5,6 | 80 | 5.7 | 110 | 2,3,4,6,7 | 140 | 3,4,8 | 170 | 2,4,6,8 | 200 | 4,7,8 | 230 | 2,3,6,7,8 |
| 21 | 1,3,5 | 51 | 1,2,5,6 | 81 | 1,5,7 | 111 | 1,2,3,4,6,7 | 141 | 1,3,4,8 | 171 | 1,2,4,6,8 | 201 | 1,4,7,8 | 231 | 1,2,3,6,7,8 |
| 22 | 2,3,5 | 52 | 3,5,6 | 82 | 2,5,7 | 112 | 5.6,7 | 142 | 2,3,4,8 | 172 | 3,4,6,8 | 202 | 2,4,7,8 | 232 | 4,6,7,8 |
| 23 | 1,2,3,5 | 53 | 1,3,5,6 | 83 | 1,2,5,7 | 113 | 1,5,6,7 | 143 | 1,2,3,4,8 | 173 | 1,3,4,6,8 | 203 | 1,2,4,7,8 | 233 | 1,4,6,7,8 |
| 24 | 4.5 | 54 | 2,3,5,6 | 84 | 3,5,7 | 114 | 2,5,6,7 | 144 | 5.8 | 174 | 2,3,4,6,8 | 204 | 3,4,7,8 | 234 | 2,4,6,7,8 |
| 25 | 1,4,5 | 55 | 1,2,3,5,6 | 85 | 1,3,5,7 | 115 | 1,2,5,6,7 | 145 | 1,5,8 | 175 | 1,2,3,4,6,8 | 205 | 1,3,4,7,8 | 235 | 1,2,4,6,7,8 |
| 26 | 2,4,5 | 56 | 4,5,6 | 86 | 2,3,5,7 | 116 | 3,5,6,7 | 146 | 2,5,8 | 176 | 5,6,8 | 206 | 2,3,4,7,8 | 236 | 3,4,6,7,8 |
| 27 | 1,2,4,5 | 57 | 1,4,5,6 | 87 | 1,2,3,5,7 | 117 | 1,3,5,6,7 | 147 | 1,2,5,8 | 177 | 1,5,6,8 | 207 | 1,2,3,4,7,8 | 237 | 1,3,4,6,7,8 |
| 28 | 3,4,5 | 58 | 2,4,5,6 | 88 | 4,5,7 | 118 | 2,3,5,6,7 | 148 | 3,5,8 | 178 | 2,5,6,8 | 208 | 5,7,8 | 238 | 2,3,4,6,7,8 |
| 29 | 1,3,4,5 | 59 | 1,2,4,5,6 | 89 | 1,4,5,7 | 119 | 1,2,3,5,6,7 | 149 | 1,3,5,8 | 179 | 1,2,5,6,8 | 209 | 1,5,7,8 | 239 | 1,2,3,4,6,7,8 |
| 30 | 2,3,4,5 | 60 | 3,4,5,6 | 90 | 2,4,5,7 | 120 | 4,5,6,7 | 150 | 2,3,5,8 | 180 | 3,5,6,8 | 210 | 2,5,7,8 | *240 | 5,6,7,8 |

* NOTE: Code 240 is reserved for the porter switchboard

CERTIFIED MANAGEMENT SYSTEMS



www.comelitgroup.com

Via Don Arrigoni, 5 - 24020 Rovetta (BG) - Italy

 **Comelit**[®]
Passion. Technology. Design.