

BD INSTALLATION GUIDE

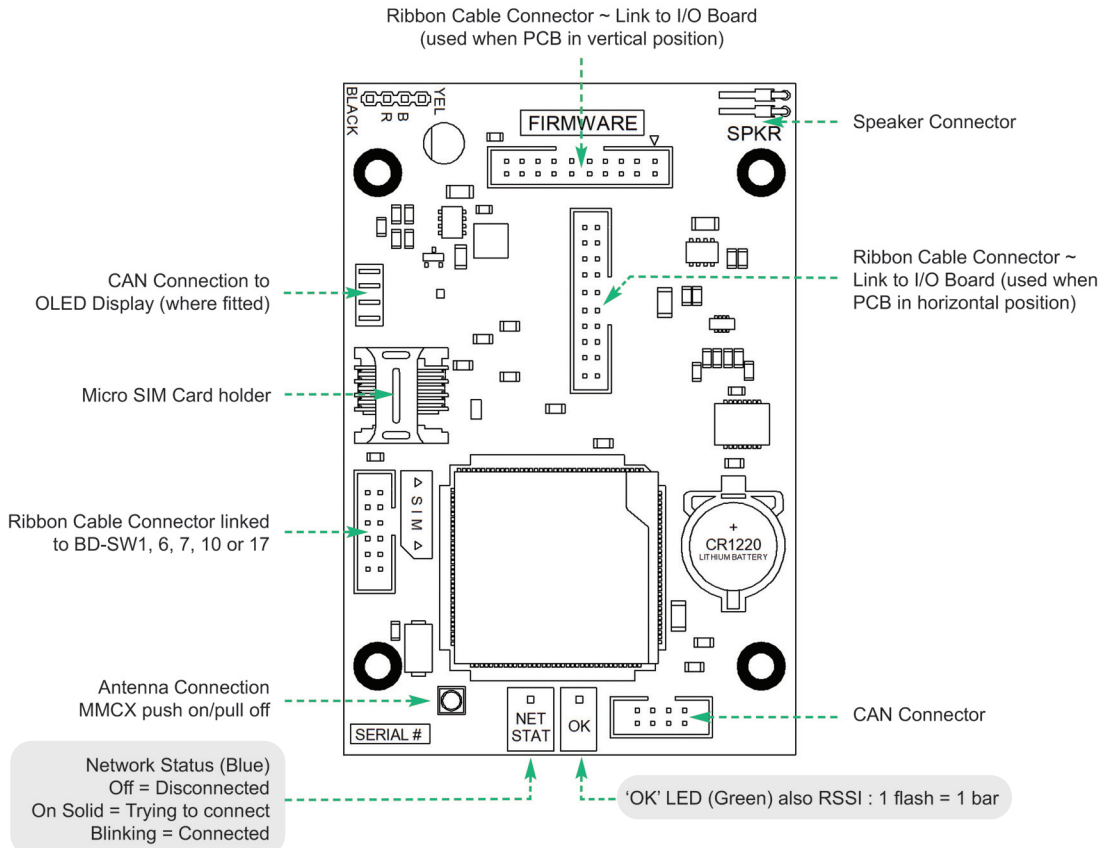


For use with the COMELIT 4G 4 BUTTON INTERCOM

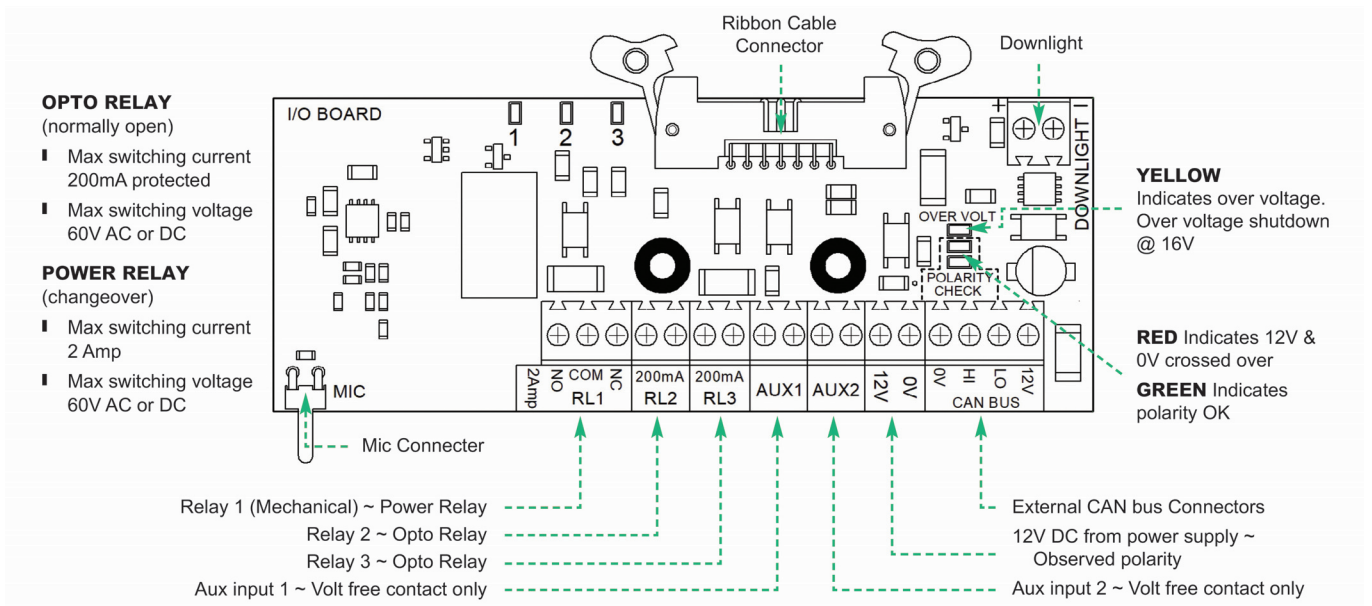


A SITE SIGNAL NETWORK TEST IS TO BE UNDERTAKEN BEFORE INSTALLATION.

BD-4G LTE PCB CONNECTIONS



BD-4G LTE I/O BOARD CONNECTIONS



REFER TO p2 FOR INSTALLATION TIPS AND APP INFORMATION

INSTALLATION TIPS

- Ensure the unit is sealed to prevent water ingress.
- Use electronic grade silicone sealant to seal around all rear entry holes.
- Ensure antenna and power leads have a loop before entering the back of the unit to prevent water ingress along the cable.
- Use the black plastic gland M20 x 1.5mm, std electrical thread to secure the power and antenna leads.
- If drilling out the backbox or steel posts, no metal filings must be left in the backbox. The speaker has a magnet and may attract metal filings. Brush out the back box of all debris before screwing in the faceplate.
- Do a 4G signal test with a 4G analyser to ensure installation of the best SIM card.
- Ensure the unit is turned off before inserting/removing the SIM and plugging in/unplugging the antenna.
- LED Status Lights:
 - Green OK LED is multi purpose. It shows correct antenna connection, correct SIM card installation and signal strength (RSSI).
 - Blue LED is the network status.
- The auxiliary inputs are for volt free exit release type buttons only. Damage will result if feeding voltage or any other item that is not a volt free contact.
- Use the faceplate parking slot for ease of installation.
- **We strongly recommend the PIN defaults are changed at the point of installation.**

The 4G antenna is an external item that should be installed in the most suitable position so that maximum signal strength is obtained and is more than 200mm from a human body.

This positioning should also allow for avoidance of any likely vandalism as is able.

COMELIT GSM ONE APP



COMELIT GSM ONE ~ THE PROGRAMMING APP

- Click the help icon in the top right of the screen for user instructions.

In order to start the programming of the Intercom, you will need:

- Intercom Serial Number
- SIM Telephone Number
- Assigned Name

