

# Datasheet

## RTE-PTO - Large All-Active Exit Buttons

### Product Description

Our range of all-active exit switches have a brushed stainless steel faceplate and are supplied as flush or surface. These switches fit on a standard UK back-box.

“All-active” means the complete surface area of the face activates the switch. This is ideal for those who have difficulty targeting a smaller button and is particularly suited for DDA compliance and general high traffic areas such as hospitals, public buildings and colleges.

All models include a heavy-duty micro switch with common, normally open & normally closed changeover contacts.



### Key Features

- High quality stainless steel switch
- Large all-active target area
- UK back-box or architrave formats
- Available as surface mount only
- Suitable for DDA environments
- Dark blue symbol and lettering

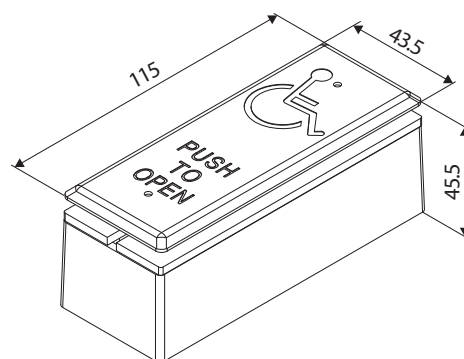
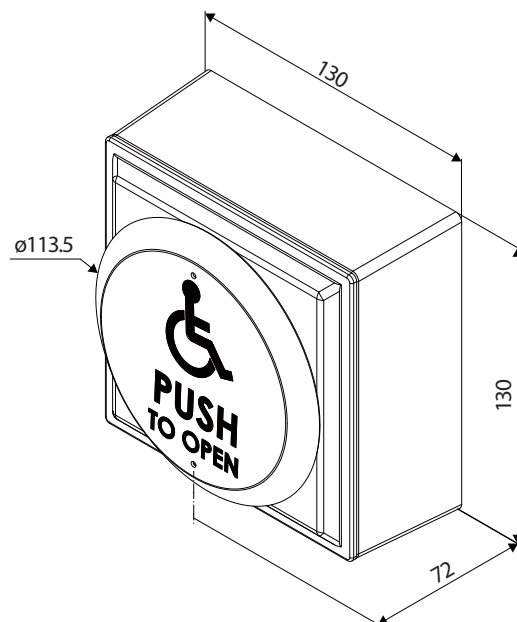


## Product Specifications

<b>Material:</b>	Stainless steel
<b>Mounting:</b>	Surface
<b>Recommended mounting height:</b>	900 to 1,100 mm
<b>Weight:</b>	470 g

## Electrical Specifications

<b>Contact rating:</b>	15A @ 125-250 Vac, 8A @ 48 Vdc
------------------------	-----------------------------------



## Range References

E0901D000045	RTE-PTO	Large all-active PUSH TO OPEN exit button, surface mount
E0901D000044	RTE-PTOD	Large all-active wheelchair logo & PUSH TO OPEN exit button, surface mount
E0901D000046	RTE-PTODA	Architrave all-active PUSH TO OPEN exit button, surface mount