

## Datasheet

### RTE-85 Series - All-Active Exit Buttons

#### Product Description

The RTE-85 range are “all-active” exit buttons manufactured in brushed stainless steel faceplates and are available as flush or surface. They fit on a standard UK back-box.

“All-active” means the complete surface area of the face activates the switch. This is ideal for those who have difficulty targeting a smaller button and is particularly suited for DDA compliance and general high traffic areas.

All models include a heavy-duty microswitch with a common, normally open & normally closed contact. The switches allow the connection of a universal transmitter, integrating it as a wireless device. The exit buttons fit straight into the [RPSS-CUT](#) post.



RTE-85E



RTE-85DL

#### Key Features

- Large all-active target area to make activation easier
- High quality brushed stainless steel finish
- UK back-box format
- Surface or flush mount
- High impact and high traffic use



Certification



Certification



DEEE



Certification



IP65

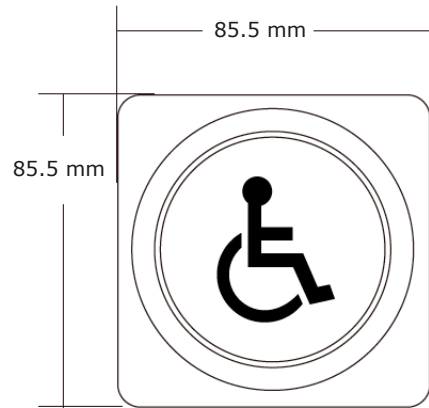


-20°C to 55°C

All the information contained within this document (pictures, drawings, features, dimensions, specifications), could be perceptibly different and can be changed without prior notice. Published: 03 July 2023. CDVI RTE-85\_DS\_04\_EN\_A4\_C

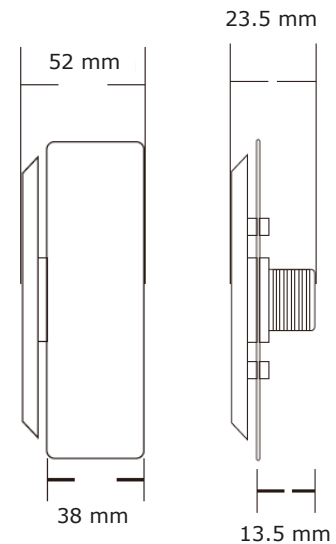
## Product Specifications

<b>Material:</b>	304 stainless steel (faceplate)
<b>Mounting:</b>	Flush or surface
<b>Type:</b>	All-active, DDA application
<b>Cycles tested:</b>	1,000,000
<b>Relays:</b>	2 x single-pole double throw
<b>Contacts:</b>	NO/COM, NC/COM
<b>Weight:</b>	Flush: 0.33 kg Surface: 0.43 kg



## Electrical Specifications

<b>Power input:</b>	24Vdc
<b>Consumption:</b>	2A (max load)



## Range References

RTE-85E	E0901D000068	All-active EXIT logo exit button, surface mount
RTE-85DL	E0901D000069	All-active wheelchair logo exit button, surface mount