

Datasheet

GAE, GAEI - Fixed Jaw Strike Kits

Product Description

The GAE Series are EURO electric strikes suited for a wide range of projects. An ideal use would be audio video entry systems to residential flats and small businesses.

Including both a mortice plate and rim housing, the GAE and GAEI strikes have a fixed jaw. They have a 12Vdc or 24Vdc power input (continuous current versions available) and benefit from a robust 5-year warranty.

The MOV (metal oxide varistor) fitted inside all G Series strikes protects the system from electric spikes that can cause damage to electronic control devices.



Key Features

- EURO style strikes
- Fail safe or fail secure configurations
- Mortice and rim plates included
- Continuous current (CC) versions available
- Fixed jaw
- Built-in MOV
- 12V or 24V



Certification



Certification



DEEE



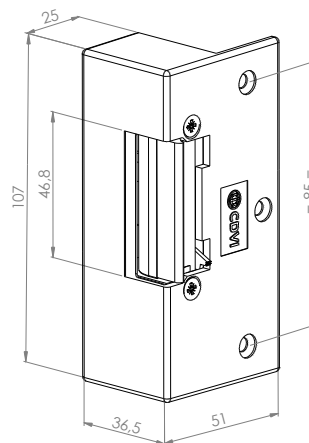
Certification



-15°C to 40°C

Product Specifications

Material:	Powder coated steel
Mounting:	Rim or mortice
Lock mode:	Fail safe or fail secure
Handed:	Left and right (invertible body)
Holding force:	300kg
Cycles tested:	300,000 operations
Jaw type:	Fixed
Weight:	320g

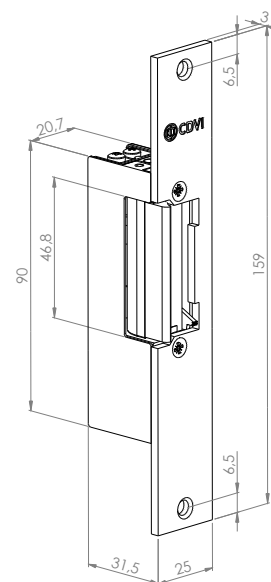


Electrical Specifications

Power input:

- Fail safe: 12Vdc or 24Vdc
- Fail secure: 12Vac/dc or 24Vac/dc

Consumption:	300mA @ 12Vdc, 250mA @ 12Vac, 600mA @ 24Vdc, 510mA @ 24Vac
---------------------	---



Range References

F0504000019	GAE-12CC	Fail secure strike kit, 12Vac/dc, continuous rated, fixed jaw
F0504000020	GAE-24CC	Fail secure strike kit, 24Vac/dc, continuous rated, fixed jaw
F0504000014	GAEI-12	Fail safe strike kit, 12Vdc, fixed jaw
F0504000015	GAEI-24	Fail safe strike kit, 24Vdc, fixed jaw