

# Datasheet

## CA1A, CA1R - Class II Transformers

### Product Description

In addition to your access control and locking needs, CDVI offers high-quality power supplies.

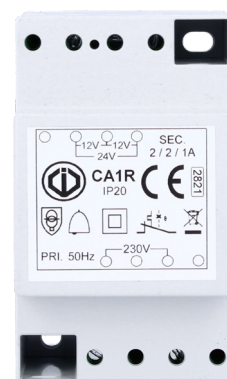
The CA1A is an economical transformer providing 12V AC. The CA1R is an economical transformer with dual 12V outputs providing 12 or 24V AC.

These power supplies are ideal for powering a simple keypad or a fail safe electric strike.

CA1A



CA1R



### Key Features

- High-quality transformers
- Short-circuit protection
- Economical power supply
- DIN-rail (CA1R)
- Ideal for powering a simple keypad or an electric strike

 Certification

 DEEE

**RoHS** Certification

 IP20

 -20°C to 60°C

## Product Specifications

<b>Material:</b>	ABS
<b>Mounting:</b>	
• CA1A	Surface-mounted
• CA1R	DIN-rail
<b>Protection:</b>	Electronic
<b>Weight:</b>	
• CA1A	300g
• CA1R	600g

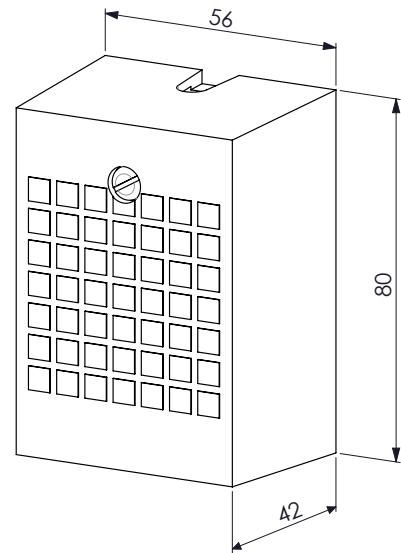
## Electrical Specifications

**Input voltage:** 230Vac

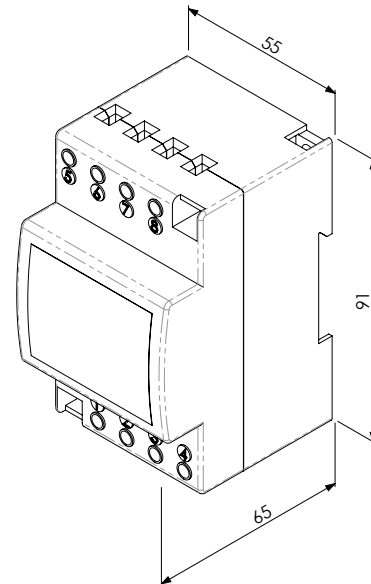
**Output voltage:**

- CA1A 12Vac
- CA1R 12 or 24Vac

CA1A



CA1R



## Range References

F0303000001	CA1A	Class II 12Vac transformer
F0303000002	CA1R	Class II 12/24Vac transformer