

Datasheet

DGLIMWLC - Mifare® Classic Reader

Product Description

The DGLIMWLC is a MIFARE® reader with Wiegand output for connection to access control systems such as ATRIUM.

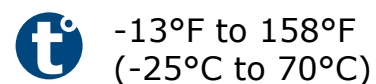
Specially designed for low power consumption, the DGLI-MWLC is an efficient solution that is easy to install and keeps running costs low.

Its stainless steel composition makes it highly resistant to vandalism and the perfect solution for outdoor applications.



Key Features

- Stainless steel MIFARE® reader
- Vandal resistant
- Reads MIFARE® Classic 13.56 MHz credentials formats
- PCB sealed in epoxy
- Indoor / Outdoor application
- Audible and visual feedback
- Multicoloured LED's



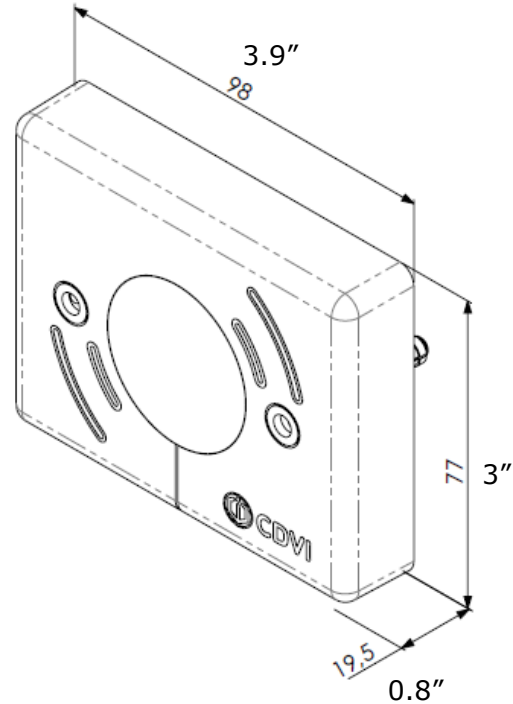
All the information contained within this document (pictures, drawings, features, dimensions, specifications), could be perceptibly different and can be changed without prior notice. Published: 08 August 2023. CDVI_DGLIMWLC_DS_01_EN_LETTER_C

Product Specifications

Material:	Stainless steel
Mounting:	Surface
Technology:	MIFARE classic, 13.56 Mhz
Security level:	Standard
Wiegand:	26, 30 or 44 bits
Read range:	Up to 3.9" (10 cm)
Weight:	8.2 oz, 232 g

Electrical Specifications

Power input:	12 VDC
Consumption:	100 mA



Accessories



ISOM

Printable ISO Card (125 kHz)



CSM

Clamshell Card (125 kHz)



KTAGM

Black Key Ring Tag (125 kHz)