

# monitored electric strike

## AL2000

The Alpro AL2000 series high security monitored strikes are designed for timber and metal door applications.

### 12/24v Selectable

### High Security

Stainless steel one part body and striker

### Monitoring

Latch and door monitoring  
Anti-tamper monitoring

### Compact Shallow Body

26mm overall depth

### Fixing Tab Options

Single fixing for metal

### Low Current Consumption

220mA - 12v DC continuous ( $\pm 15\%$ )  
110mA - 24v DC continuous ( $\pm 15\%$ )

### Simple Fail Safe/Fail Secure Changeover

### Easy Installation

Stick on / peel off template

### Weather Resistant - IP56 Protection as Standard

### Options

Extension lips – 15, 25, 50 and 75mm (pre-drilled strike body)

### Spares

Replacement changeover pin

### Approvals

EN 61000-6-3 : 2007      EN 50130-4 : 1995+A1  
EN 50130-4 : 1998+A2      EN 50130-4 : 2003

### AC Compatibility (with RM1)

The Rectifier Sounder Module enables operation with AC voltages.

The sounder can be set for either buzzing or silence with both AC and DC voltages.

The IEC RM1 unit is continuously rated – max 1 amp.

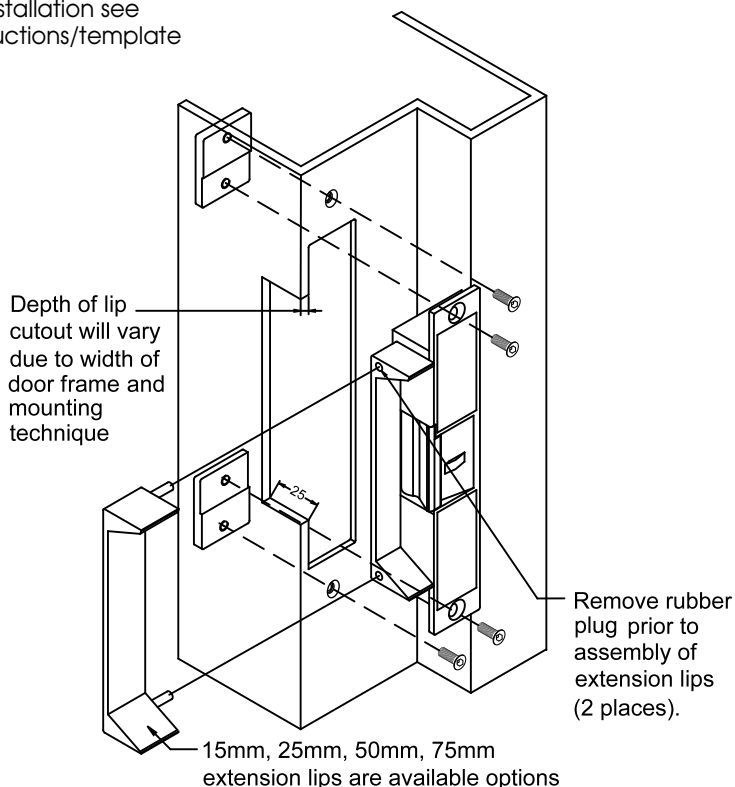


COMPANY	MODEL	COMPANY	MODEL
<b>Accepts 15mm latch bolt when fitted with 3mm door gap</b>			
<b>Adams-Rite</b>	4710, 4720, 4750	<b>Legge</b>	8767, 8157N, E900
<b>ASEC</b>	AS1094, AS1095	<b>Union</b>	2332, 2341, 2349, 2370, 2379
<b>ASSA</b>	3059, 3061, 3062, 8516, 8517, 8518, 8519, 8760, 8761, 8762, 8764	<b>Viro</b>	8516, 8517, 8518, 8519
<b>Chubb</b>	3R35	<b>Yale</b>	3600, 3610, 4103, 6025, 6070

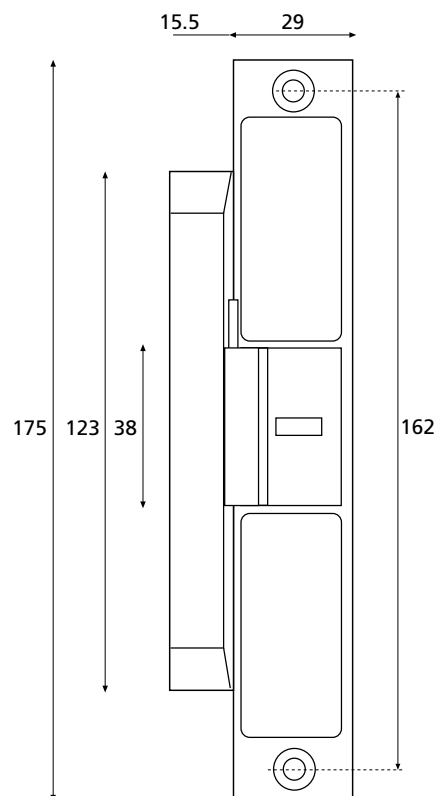
DESCRIPTION	FUNCTION	CODE
12/24vDC Monitored Strike including mounting kit	Fail Safe/PTL	<b>AL2001</b>

ACCESSORIES	CODE
15mm Extension Lip	<b>ALEX2015</b>
25mm Extension Lip	<b>ALEX2025</b>
50mm Extension Lip	<b>ALEX2050</b>
75mm Extension Lip	<b>ALEX2075</b>
Rectifier Sounder Module	<b>IEC-RM1</b>

Note: For detail of installation see instructions/template



AL2000  
Overall depth 26mm



# rectifier sound module

## RM1

Enables Alpro strikes to operate with AC systems.

Enables use of quality strike at greatly reduced current consumption over dedicated AC strikes.

**Only for use with product with maximum current load of 1 amp. Not solenoid bolts or shearlocks for example.**



### RM1 continuously rated

#### Switchable buzzer

Buzzer function available on DC - on/off.  
Allows for silent operation on AC.

#### Power

Input voltage range is 12-24v AC +/- 15%  
There is no polarity on the AC input  
Output will always be lower than the input by 10% approximately. If you require 12v DC output ensure input is at least 13v AC. Standard voltmeters will show the output voltage as lower, this is because the output is not smoothed which will create false readings on your meter.

#### Current Load

Maximum current load is 1 amp (1000mA).

#### Sounder

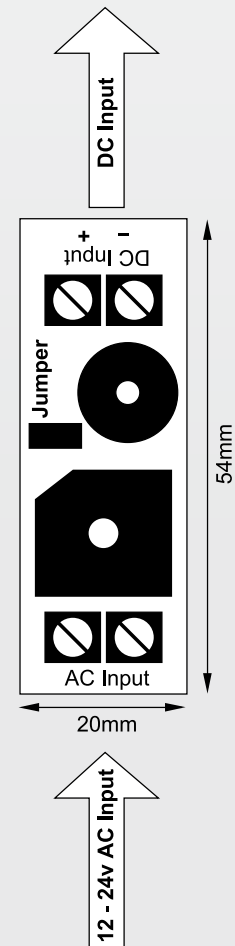
The sounder will sound whenever an input voltage is present, if this is not required remove the link located next to the sounder. Store the link on the pin, in case you change your mind and need it later.

#### Location

This RM1 Rectifier is not designed to work in damp environments; **and MUST BE protected from moisture**. If this is not possible at the device end of the circuit, the PCB must be removed to a dry position near the AC power source. The exact location of the PCB is not critical; the voltage output will not change significantly.

#### DC Input

This product will accept a DC input if you only wanted to use the sounder function. There is still no polarity on the input and the output polarity will always be as shown.



#### DESCRIPTION

Rectifier Sounder Module for AC operation

#### CODE

IEC-RM1