

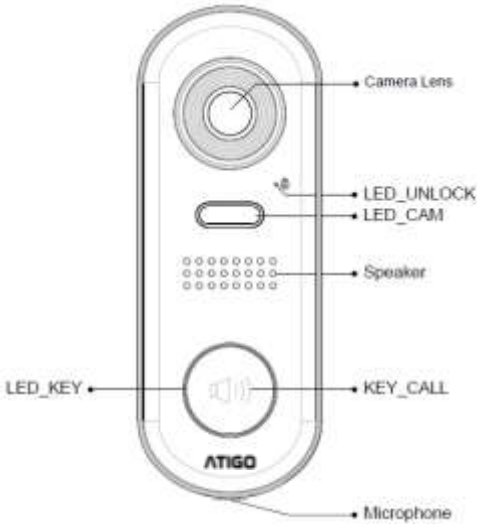
**A901S**

**2 Wire Kit**

**Installation Manual**

**ATIGO**

## Door entry panel A501S



## Specification:

Power supply: 26Vdc (supplied by A2100)

Power consumption: 14mA standby,  
122mA active

Camera: Colour CMOS, 2 Mega pixels,  
1/2.7" Fisheye, 155° Wide angle.

Unlock power output: 12Vdc, 250mA

Unlock time: 3, 5 or 10 seconds

Working temperature: -15°C ~ +55°C

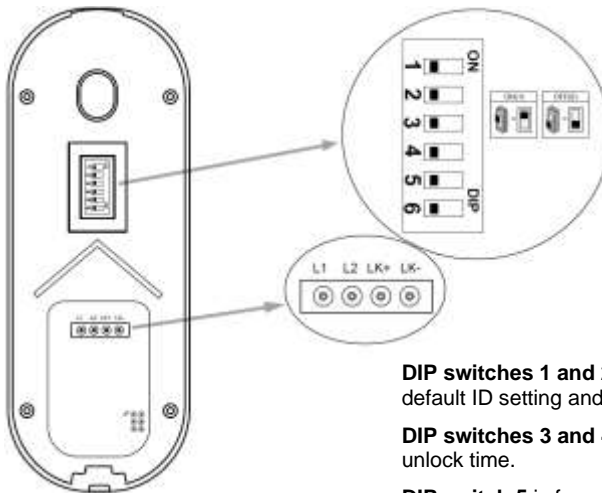
Installation: Surface mounting

Dimension: 160(H) x 60(W) x 31.5(D)mm

## DIP switch settings for A501S

The video door entry panel is configured by 6 DIP switches.

The DIP switches can be modified either before or after installation. Restarting the unit is necessary whenever the DIP switches have been modified.



## Connection Terminal

**L1 and L2** is bus line connecting to terminal BUS(DS) on the power supply

**LK+ and LK-** is a lock/relay output, set by the jumper.

**JP** lock power mode (internal/external power)

**DIP switches 1 and 2** are for door station default ID setting and must be set as **00**.

**DIP switches 3 and 4** are for setting door unlock time.

**DIP switch 5** is for setting lock type:

**ON**      **Fail locked** (normally closed)

**OFF**     **Fail unlocked** (normally open)

**DIP switch 6** is for programming door entry panel.

**ON**      Programming mode enabled

**OFF**     Programming mode disabled

## Electric lock powered by door station lock output.

### Note:

The jumper must be set correctly (fig. 1).

The lock output is limited to 12Vdc, and a maximum current of 250mA.

### Setting lock type - DIP switch 5

**ON**      **Fail locked** (normally closed)

**OFF**     **Fail unlocked** (normally open)

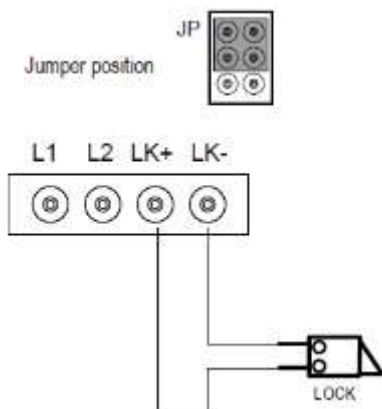


fig.1

## Electric lock powered by additional power supply

### Note:

The jumper must be set correctly (fig. 2).

The power supply must be used accordingly to lock specification.

The dry contact is limited to 24Vac or 24dc, and a maximum current of 1000mA.

### Setting lock type - DIP switch 5

**ON**      **Fail locked** (normally closed)

**OFF**     **Fail unlocked** (normally open)

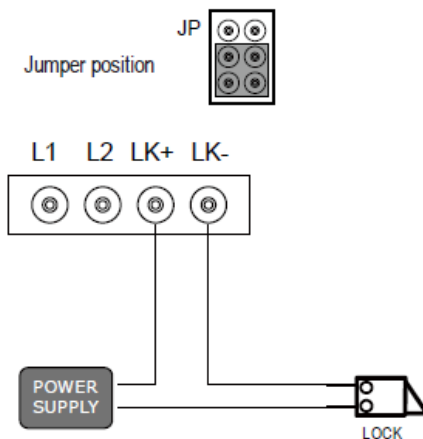


fig.2

## Setting panel status indicators

All status indicators are set to ON as default

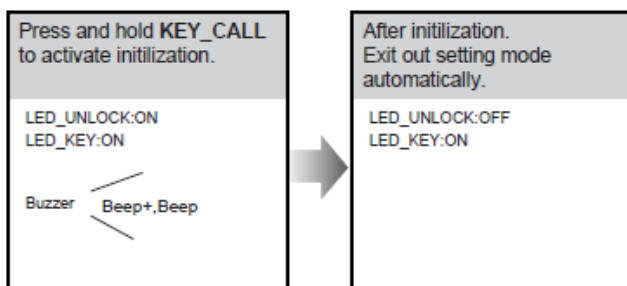
- door unlocked, LED + Voice
- calling, LED + Voice

### Programming

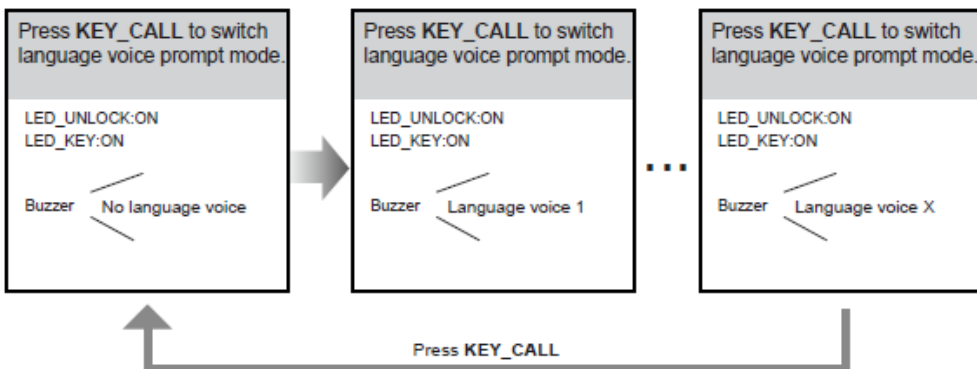
1. Power OFF door panel
2. Set **DIP switch 6** to **ON** position
3. Power back ON door station and press call button within 10 seconds to enable programming mode.

System will exit programming mode automatically after 10 seconds, if not in use.

### LED status setting



### Voice status setting



## System layout

### Important notes:

Maximum of 4 monitors can be connected in daisy chain configuration to a single button entry panel.

### Cable distances

CABLE TYPE	A	B
Belden 8762 or equivalent	60	60
Twisted Cable 2 x 0.75 mm <sup>2</sup>	60	60
Twisted Cable 2 x 1.00 mm <sup>2</sup>	80	70

