

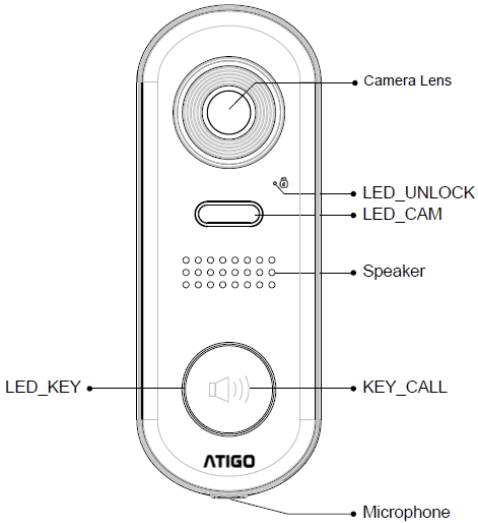
A901S

2 Wire Kit

Installation Manual

ATIGO

Door entry panel A501S



Specification:

Power supply: 26Vdc (supplied by A2100)

Power consumption: 14mA standby,
122mA active

Camera: Colour CMOS, 2 Mega pixels,
1/2.7" Fisheye, 155° Wide angle.

Unlock power output: 12Vdc, 250mA

Unlock time: 3, 5 or 10 seconds

Working temperature: -15°C ~ +55°C

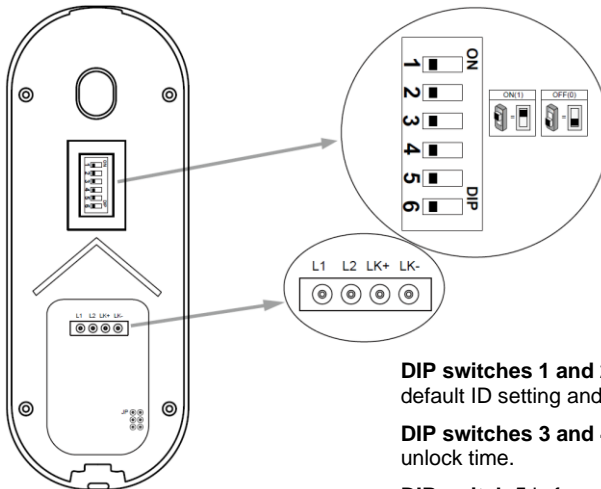
Installation: Surface mounting

Dimension: 160(H) x 60(W) x 31.5(D)mm

DIP switch settings for A501S

The video door entry panel is configured by 6 DIP switches.

The DIP switches can be modified either before or after installation. Restarting the unit is necessary whenever the DIP switches have been modified.



Connection Terminal

L1 and L2 is bus line connecting to terminal BUS(DS) on the power supply

LK+ and LK- is a lock/relay output, set by the jumper.

JP lock power mode (internal/external power)

DIP switches 1 and 2 are for door station default ID setting and must be set as **00**.

DIP switches 3 and 4 are for setting door unlock time.

DIP switch 5 is for setting lock type:

ON **Fail locked** (normally closed)

OFF **Fail unlocked** (normally open)

DIP switch 6 is for programming door entry panel.

ON Programming mode enabled

OFF Programming mode disabled

Electric lock powered by door station lock output.

Note:

The jumper must be set correctly (fig. 1).

The lock output is limited to 12Vdc, and a maximum current of 250mA.

Setting lock type - DIP switch 5

ON **Fail locked** (normally closed)

OFF **Fail unlocked** (normally open)

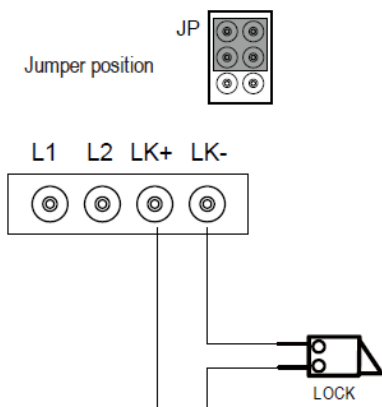


fig.1

Electric lock powered by additional power supply

Note:

The jumper must be set correctly (fig. 2).

The power supply must be used accordingly to lock specification.

The dry contact is limited to 24Vac or 24dc, and a maximum current of 1000mA.

Setting lock type - DIP switch 5

ON **Fail locked** (normally closed)

OFF **Fail unlocked** (normally open)

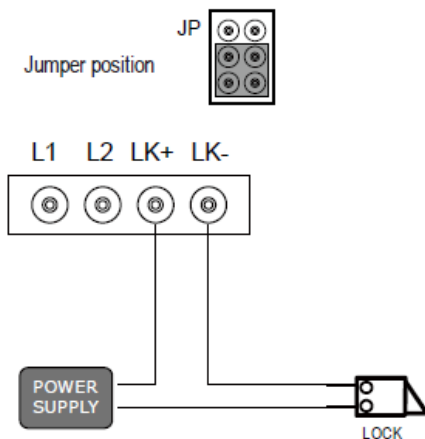


fig.2

Setting panel status indicators

All status indicators are set to ON as default

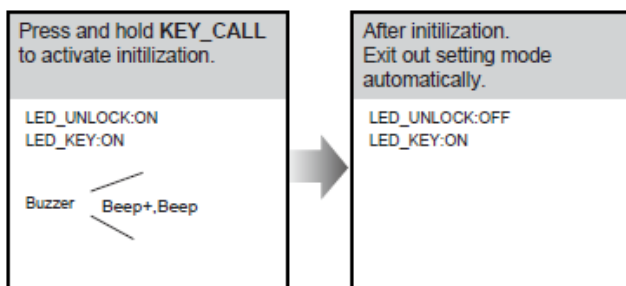
- door unlocked, LED + Voice
- calling, LED + Voice

Programming

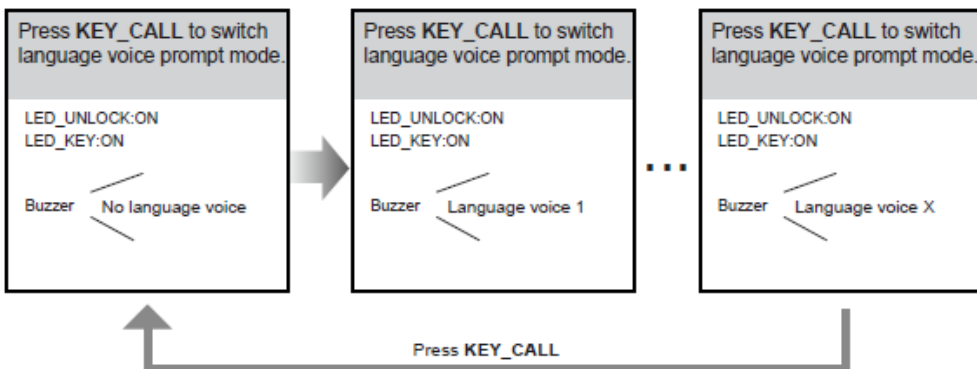
1. Power OFF door panel
2. Set **DIP switch 6** to **ON** position
3. Power back ON door station and press call button within 10 seconds to enable programming mode.

System will exit programming mode automatically after 10 seconds, if not in use.

LED status setting



Voice status setting



System layout

Important notes:

Maximum of 4 monitors can be connected in daisy chain configuration to a single button entry panel.

Cable distances

CABLE TYPE	A	B
Twisted Cores CAT5e*	40	40
Twisted Cable 2 x 0.75 mm ²	60	60
Twisted Cable 2 x 1.00 mm ²	80	70

*CAT5e UTP, cores twisted by colour code.

Twist the cores of CAT5e-UTP as shown in the image:

- White with colour cores
- Solid colour cores

