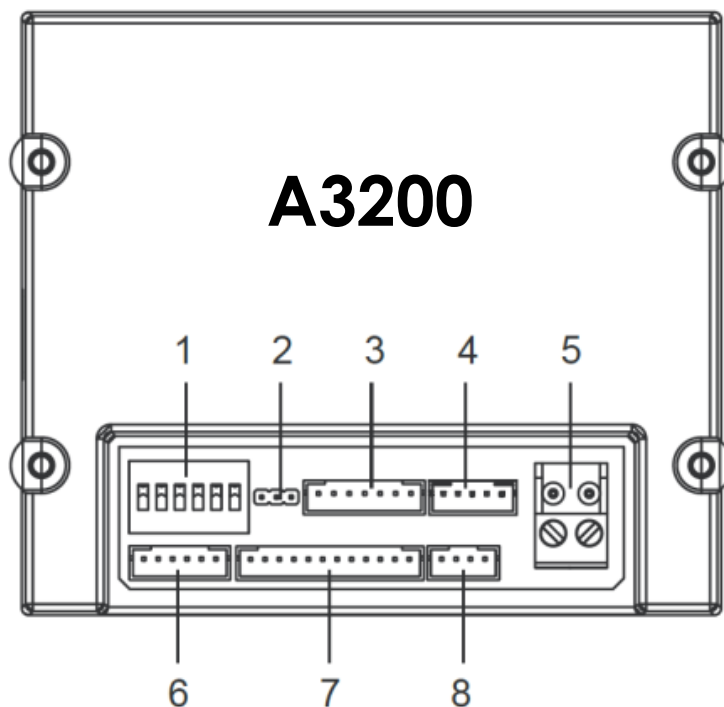
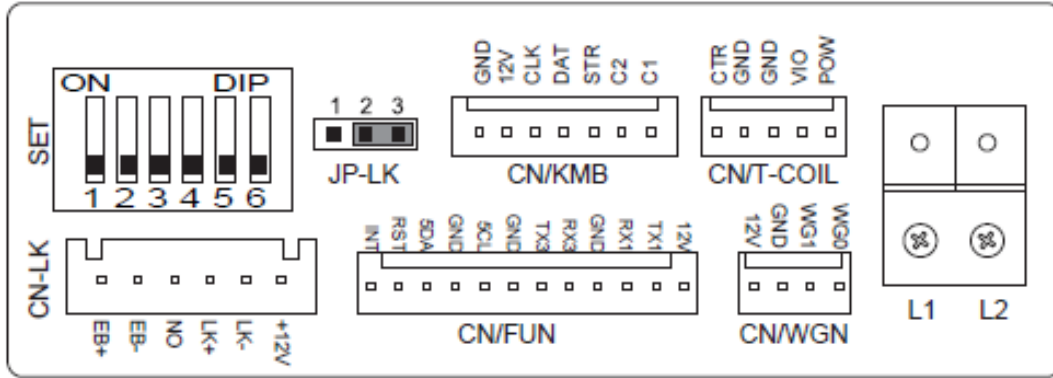




Features

- Voice confirmation
- LED Notifications
- Clear high-quality audio





Parts & Functions

- SET (1): DIP switches for system configuration
- JP-LK (2): Jumper for setting state of NO contact
- CN/KNB (3): Call button module A2400 connection port
- CN/T-COIL (4): Not in use
- BUS (5): L1, L2 BUS line connection terminal
- CN-LK (6):
 - +12V: DC 12V power output;
 - LK-: Power ground;
 - LK+: Contact of the relay;
 - NO: Normally open/close contact (use JP-LK jumper to set)
 - EB+: Exit button connection port
 - EB-: Exit button connection port
 - IN USE: Signal is present
- CN/FUN (7): Not in use
- CN/WGN (8): Not in use

Specification

- Voltage: DC 26V
- Power consumption: Standby 1W; Working 5W;
- Working temperature: -20C~55C;
- Unlock power output: 12V DC max. 250mA
- Unlock timing: 1-99s;
- Dimension: 83*100*38mm (H*W*D)