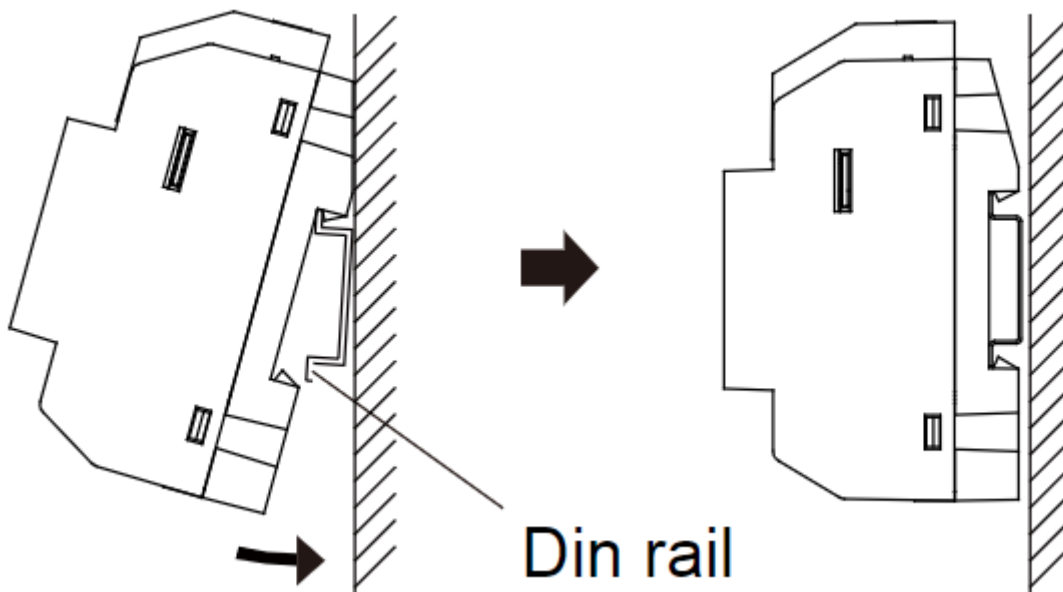
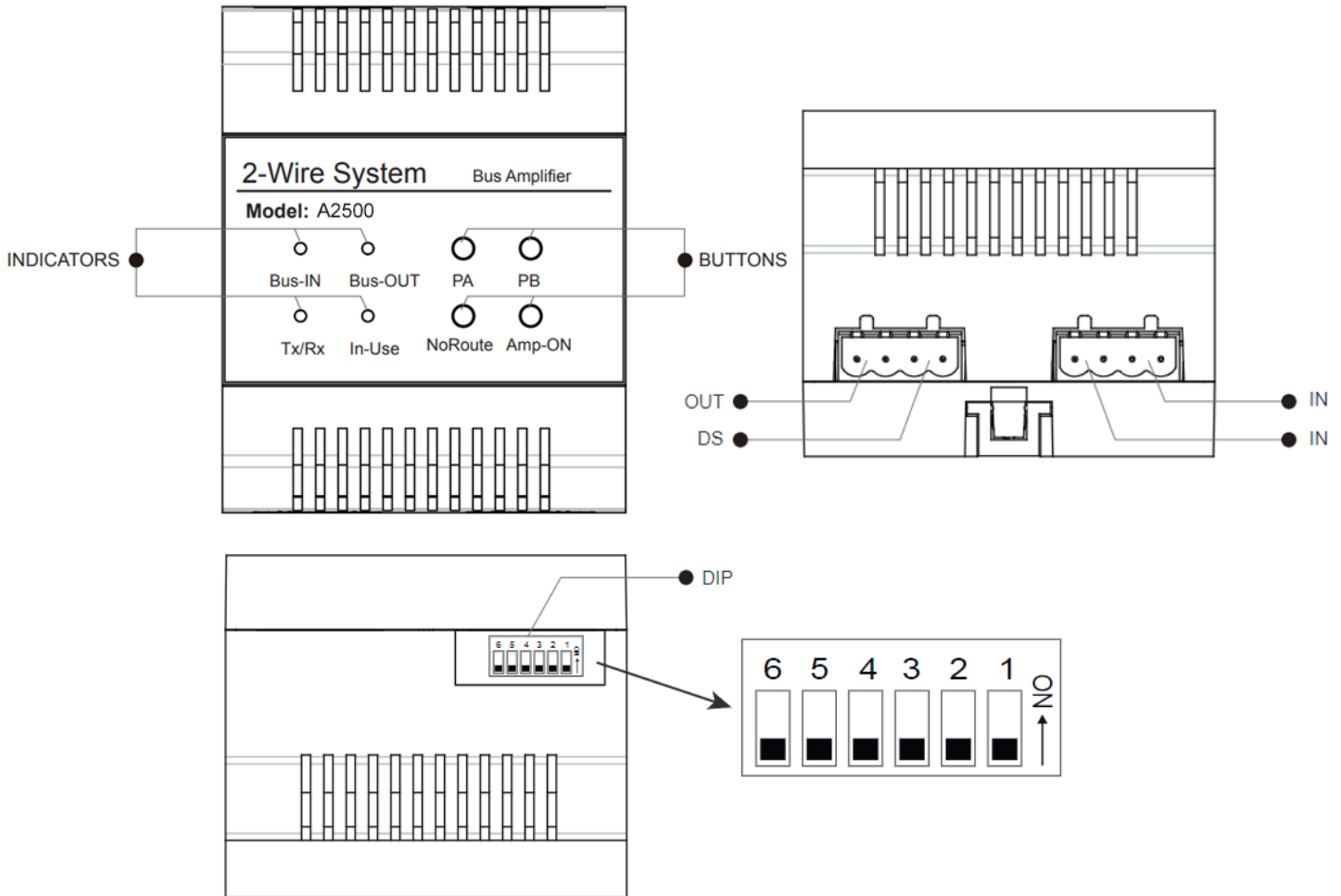




Features

- BUS amplifier;
- Increases the distance by up to 300m;
- Power indicator;
- Din-rail mounting.





Parts & Functions

- BUS-IN: ON when connected
- BUS-OUT: ON when monitors are connected
- Tx/Rx: Flashes when communicated
- IN-USE:
 - OFF when in Standby mode;
 - Flashes in Automatic gain;
 - ON with fixed gain.

Specification

- Voltage: DC 24V
- Power consumption: Standby 13.5mA; Working 156mA
- Working Temperature: -15C~55C
- Wiring: 2 wires non-polarized
- Dimension: 90*72*60mm (H*W*D)