

2-Wire Audio System

Installation Manual

ATIGO

Introduction

The Atigo door entry system is a simple 2-wire solution that can be expanded up to 4 entrance panels and 32 handsets.

Programming of the audio module is done via built in DIP switches and touch keys.

The audio module has built in visual and audible status indicators.

Installation Notes:

Wire up the system in accordance with the Wiring diagram supplied.



Make sure A2300 is installed local to the Power supply when installing multiple Entrances

Set each Door Station ID as per instructions on **Page 3**

Set the address for each handset by following programming instructions supplied with the unit.

Addressing new handsets without DIP switches

Set the address for these handsets by following instructions below.

- Power off system for 30 seconds.
- Power on system
- Hold lock button down for 5 seconds until  or  flashes then release.
- Handset is now in listening mode.
- Press the corresponding flat number on panel (You have 2 min. to complete this process. Handset will revert to standard mode after that.)
- Answer and end call from Flat

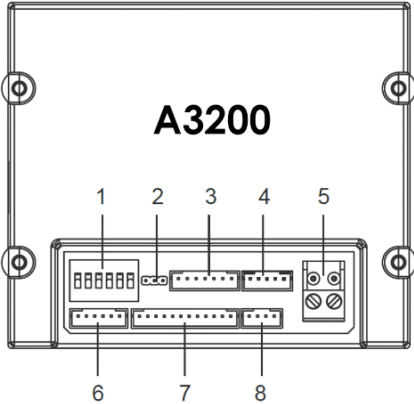
The handset is now programmed to the Flat number pressed.

System Layout:

Maximum of 4 handsets can be connected to a single call button.

Maximum of 32 handsets can be connected in Daisy-Chain or Star configuration.

Audio module A3200



1. SET

DIP switches for system configuration.

2. JP-LK

Jumper for setting state of the **NO** contact

3. CN/KMB

Call button module A2400 connection port

4. CN/T-COIL

Not in use

5. BUS

L1, L2 bus line connecting to terminal BUS(DS) on the power supply

6. CN-LK

+12V 12VDC power output.

LK- Power ground.

LK+ Common contact of the relay.

NO Normally open/closed contact (use JP-LK jumper to set)

EB+ Exit button connection port.

EB- Exit button connection port.

7. CN/FUN

Not in use

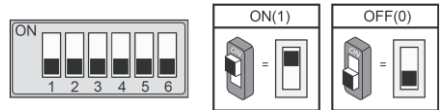
8. CN/WGN

Not in use

DIP switch settings for A3200

The audio module is configured by 6 DIP switches.

The DIP switches can be modified either before or after installation. Restarting the Audio module is necessary whenever the DIP switches have been modified.



DIP switches 1 and 2 are for addressing door stations.

When multiple door stations are installed on the system, these two DIP switches must be set correctly.

Door station DIP switch setting:

No.1 = **00** (Default setting)

No.2 = **10**

No.3 = **01**

No.4 = **11**

DIP switch 3 needs to be set to 0 for mechanical call button operation.

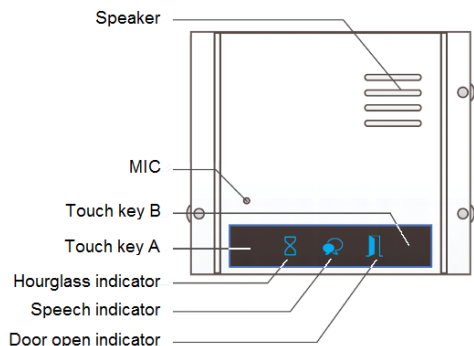
DIP switch 4 is for call button automatic allocation. Call buttons are automatically assigned to the indoor unit according to Namelist file programmed on Audio module. The default setting for this DIP switch is 0

DIP switch 5 is for setting door unlock time. 0 is the default setting for one second delay and 1 is the setting for programmed delay. The default programmed delay is 5 seconds.

DIP switch 6 is for entering programming mode and activating keys A and B which are used for programming camera module functions.

The default setting for this DIP switch is 0.

Audio module functions and programming



Restore factory settings

With **Audio Module** in standby, short out the Exit Button Ports (EB+ and EB-) and toggle DIP switch 6 four times.

A long Beep will sound, and all **Three symbols** will turn on at the same time meaning the **Restore Factory Settings** is in progress.



Once the **Three symbols** turn off with a warning sound of a long Beep, it means the **Restore Factory Settings** is complete.

Activate Programming mode and touch keys, A and B

Touch key A and touch key B cannot be used on the camera module until activated.

To activate the keys and set the unit to programming mode, follow these steps:

- With power OFF, set all DIP switches to OFF position.
- Power on the unit
- Set DIP switch 6 to ON position

When programming is finished, set DIP switch 6 back to OFF position and cycle power.

Sound theme settings.

In Standby, activate programming mode by setting DIP switch 6 to ON position.

1. Press and hold "Touch Key A" for 3 seconds.
2. The **Hourglass symbol** will turn on and current theme will play.



3. pressing "Touch key A" again will cycle to the next theme.
4. Wait 10 seconds for Display to disappear or press "Touch key B" to exit.

Set DIP switch 6 to OFF position.

Tone volume settings.

In Standby, activate programming mode by setting DIP switch 6 to ON position.

1. Press "Touch key B" to enter Tone Volume Setting. The **Hourglass symbol** will turn on and play the sound at the current volume.



2. Press "Touch key A" to increase the volume (loop setting).
3. Wait 10 seconds for **Hourglass symbol** to disappear or press "Touch key B" to exit.

Set Dip switch 6 to OFF position.

Talk volume settings.

1. During the conversation, press "Touch key B" for 3 seconds
The **Speech symbol** will turn on with a message saying "Volume testing".



2. Press "Touch key A" to increase the volume (loop setting).
3. Wait 10 seconds for **Speech symbol** to disappear or press "Touch key B" to exit.

Electric lock type settings

(Default Fail-Secure)

In Standby, activate programming mode by setting DIP switch 6 to ON position.

Press "Touch key A" to activate lock type setting (**Door symbol ON**)



Press "Touch key A" again for **Fail Safe** option (**Short Double Beep**) **Figure 2**.

Press "Touch key A" again to cycle through lock type setting (**Door symbol ON**)



Then press "Touch key A" to set **Fail Secure** option (**Long Beep**) **Figure 1**.

These settings will cycle with repeated presses of "Touch key A"

If **Door symbol is ON** press B to exit.



Set DIP switch 6 to OFF position.

Electric lock with power supply.

1. Contact rating is limited to **24V DC and MAXIMUM CURRENT of 1000mA**.
2. The jumper **JP-LK** must be taken off before connecting.
3. Set electric lock type using touch keys A and B

Figure 2 – Fail Safe

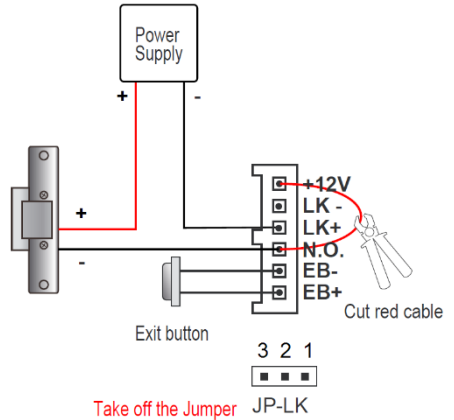
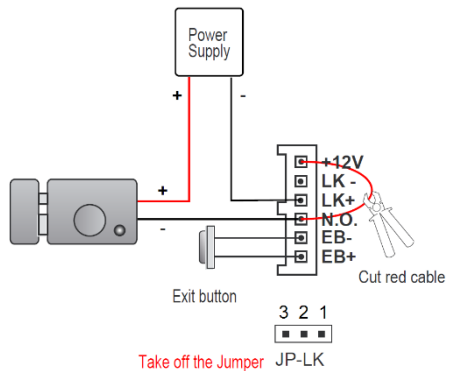


Figure 1 – Fail Secure (Default)



Electric lock powered by internal 12V DC output.

Internal output is limited to **12V DC and MAXIMUM CURRENT of 200 mA.**

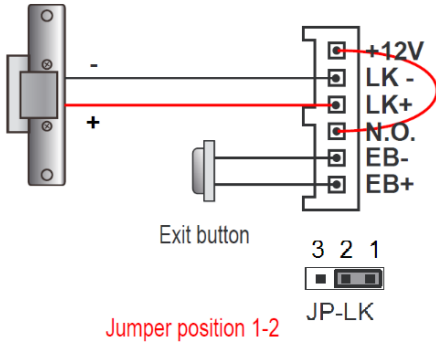
Jumper setting **JP-LK:**

1-2 Normally Closed (Fail Unlocked)

2-3 Normally Open (Fail Locked)

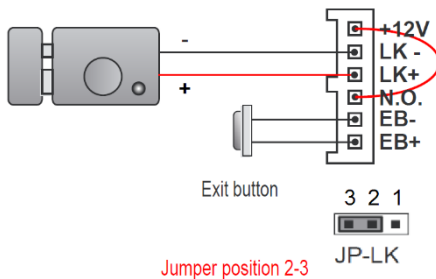
Normally Closed (Fail Unlocked)

12V DC **200mA MAX**



Normally Open (Fail Locked)

12V DC **200mA MAX**



Triggering a Gate automation:

When triggering a gate, must use A2601 auxiliary relay.

NOTE: Do not connect Gate contacts to Video module as this will cause permanent module damage.

Lock time delay setting

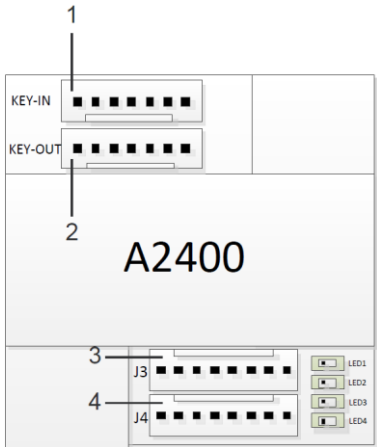
In Standby, activate programming mode by setting DIP switch 6 to ON position.

1. Press "Touch key A". The **Door symbol** turns on with the warning sound of a long Beep followed by a short Beep.

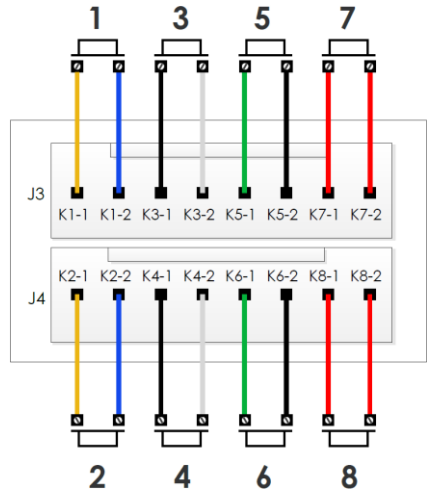


2. Press and hold "Touch key B"
Release "Touch key B" when desired number of seconds is set (beeps heard).
1 Beep = 1 Second delay
3. Set DIP switch 6 to OFF position
4. Set DIP switch 5 to ON position to activate programmed time delay.

Set DIP switch 6 to OFF position.



Single module connections



Terminals

1. INPUT

Connect to **CN/KMB** port on audio module

2. OUTPUT

Connect to next call module.

3. J3

Call buttons 1, 3, 5, 7

4. J4

Call buttons 2, 4, 6, 8

Connecting multiple modules (Max. 4)

