

2 Wire System

Installation Manual

ATIGO

Introduction

The Atigo door entry system is a simple 2 wire solution that can be expanded up to 4 entrance panels and 32 internal monitors.

Programming of the camera module is done via built in DIP switches and touch keys.

The camera module has built in visual and audible status indicators as well as white LED for night view.

Important notes:

Maximum of 4 monitors can be connected to a single call button

Maximum of 4 monitors can be connected in daisy chain configuration

Maximum of 8 monitors can be connected to single A2200 in distributor mode (DIP switch 1 OFF)

Maximum of 4 A2200 units can be connected to single A2200 in raiser mode (DIP switch 1 ON)

Cable distances

CABLE TYPE	A	B	C
Twisted Cores CAT5e*	40	40	30
Twisted Cable 2 x 0.75 mm ²	60	60	30
Twisted Cable 2 x 1.00 mm ²	80	70	30

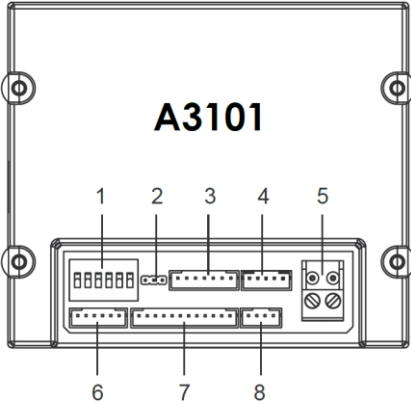
***CAT5e UTP, cores twisted by colour code.**

Twist the cores of CAT5e-UTP as shown in the image:

- White with colour cores
- Solid colour cores



Video camera module A3101



Specification:

Power supply: 26Vdc (supplied by A2100)

Power Consumption: 1W standby, 5W active

Unlock Power output: 12Vdc, 250mA

Unlock time: 1~99s

Working temperature: 20°C ~ +55°C

Dimension: 83(H) x 100(W) x 38(D)mm

A3101 Terminals

SET (1)

DIP switches for system configuration.

JP-LK (2)

Jumper for setting state of the **NO** contact

CN/KMB (3)

Call button module A2400 connection port

CN/T-COIL (4)

Not in use

BUS (5)

L1, L2 bus line connecting to terminal BUS(DS) on the power supply

CN-LK (6)

+12V 12VDC power output.

LK- Power ground.

LK+ Contact of the relay.

NO Normally open/closed contact (use JP-LK jumper to set)

EB+ Exit button connection port.

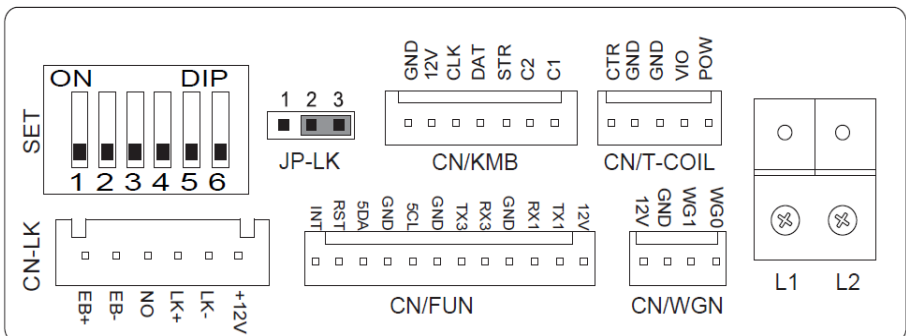
EB- Exit button connection port.

7. CN/FUN

Not in use

8. CN/WGN

Not in use

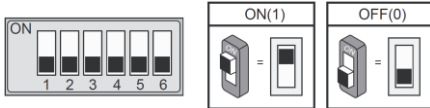


DIP switch settings for A3101

The system can be expanded up to 4 entrance panels and 32 internal monitors

The video module is configured by 6 DIP switches.

The DIP switches can be modified either before or after installation. Restarting the camera module is necessary whenever the DIP switches have been modified.



DIP switches 1 and 2 are for door station(s) ID settings.

When multi door stations are installed on the system, these two DIP switches must be set correctly.

Door station DIP switch setting:

No.1 = **00** (Default setting)

No.2 = **01**

No.3 = **10**

No.4 = **11**

DIP switch 3 always needs to be set to 1 as it is required for correct mechanical call buttons operation.

DIP switch 4 is for call button(s) automatic allocation. Call buttons are automatically assigned to the indoor units. This DIP switch always needs to be set to 0.

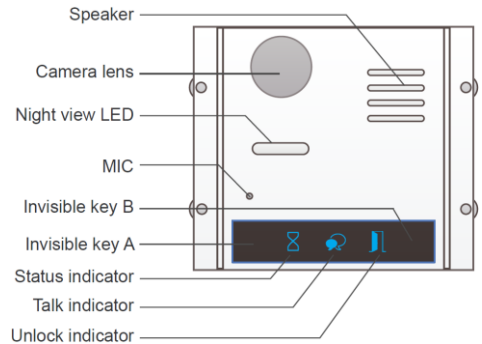
DIP switch 5 is for setting door unlock time.

0 is the default setting for one second delay and 1 is the setting for five seconds delay.

DIP switch 6 is for activating keys A and B which are used for programming camera module functions (see next section).

The default setting for this DIP switch is 0.

Video module functions and programming



Activating touch keys, A and B

Key A and key B cannot be seen on the camera module until activated.

To activate the keys, set the DIP switch 6 to ON.

Module settings: touch keys A and B

DIP switch 6 must be set to ON while the others are set to OFF to program module.

Restore factory settings

Warning:

All settings will be deleted if the **Restore Factory Setting** is activated.

When the **Camera Module** is in standby short out the Exit Button Port (EB+, EB-), and toggle the DIP switch 6 four times, with a warning sound of long Beep, and all three indicators blink at the same time,

meaning that the **Restore Factory Setting** is in progress. Once the three Indicators turn off with a warning sound of a single long Beep, it means the **Restore Factory Setting** is complete.

Electric lock mode setting

When the **Camera Module** is in standby.

1. Press Key A, the **Unlock Indicator** will turn on with the warning sound of a long Beep followed by a short Beep.

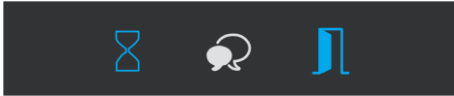
2. Press Key A again to select mode

Mode = 0 (default)

Normally Open: The **Status indicator** blinks once with the warning sound of a single long Beep

Mode = 1

Normally Closed: The **Status indicator** blinks twice with the warning sound of a long Beep followed by a short Beep.



Lock time delay setting

When the **Camera Module** is in standby

1. Press Key A, the **Unlock indicator** turns on with the warning sound of a long Beep followed by a short Beep.

2. Press Key B and hold on to enter the **Unlocking Time Delay Setting**, a warning sound of a short single Beep will be heard. The **Status indicator** will blink once per second.

The **Unlocking Time** delay is indicated by the number of times that the **Status indicator** blinks (set in seconds). For example: The **Status indicator** blinks four times, that means the unlocking time is 4 seconds.



Sound setting

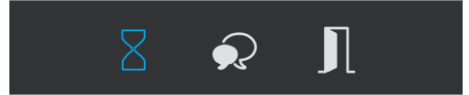
When the **Camera Module** is in standby.

1. Press and hold Key A for 3 seconds to enter the **Sound Option Mode**, the **Status indicator** will turn on and the current

sound will play.

2. Press Key A again to play the next tune

3. Press Key B to exit.



Sound volume setting

When the **Camera Module** is in standby.

1. Press Key B to enter **Tune Volume Setting**, the **Talk indicator** will turn on and play the sound at the current volume.

2. Press Key A to increase/decrease the volume (loop setting)

3. Press Key B to exit.



Talk volume setting

1. During the conversation, press and hold Key B for 3 seconds to enter the **Talk Volume Setting**.

The **Talk indicator will** turn on with the warning sound of a long Beep followed by a short Beep.

2. Press Key A to increase/decrease the volume (loop setting).

3. Press Key B to exit.



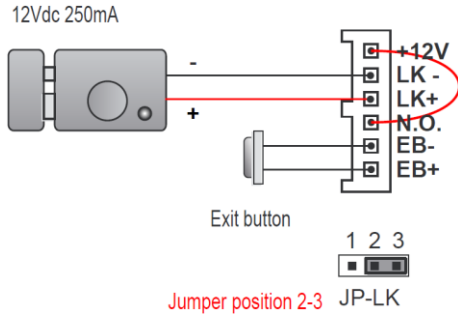
Electric lock (internal power)

Electric lock controlled by door lock output. The door lock output is limited to 12Vdc, and a maximum current of 250mA.

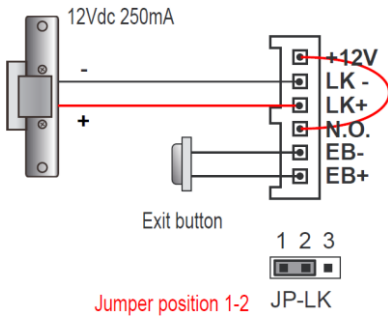
Jumper setting JP-LK:

- 1-2 Normally closed mode
- 2-3 Normally open mode

Fail Locked



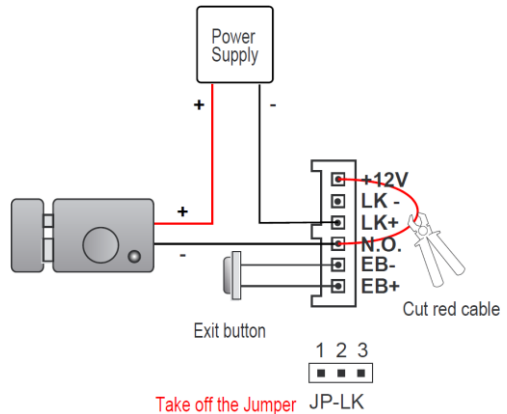
Fail Unlocked



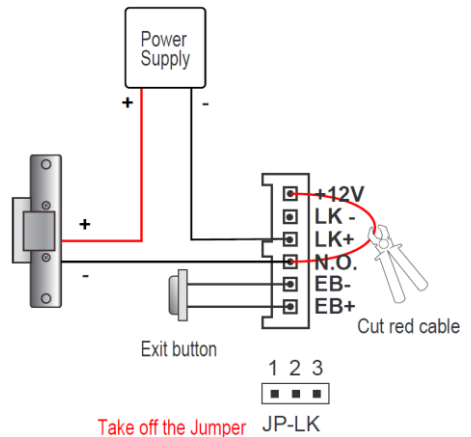
Electric lock (external power)

1. The external power supply must be used accordingly to lock specification.
2. The jumper must be taken off before connecting.
3. Set lock type using touch keys A and B (see module programming)

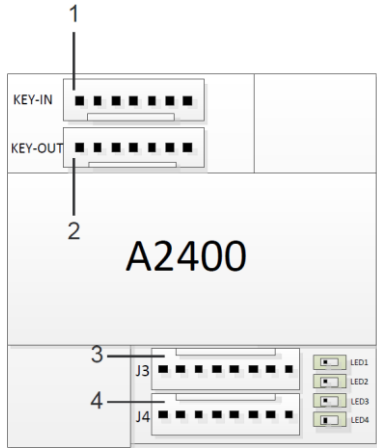
Fail Locked - Mode = 0 (default)



Fail Unlocked - Mode = 1



Call button module A2400



Terminals

1. INPUT

Connect to **CN/KMB** port video module

2. OUTPUT

Connect to next call module.

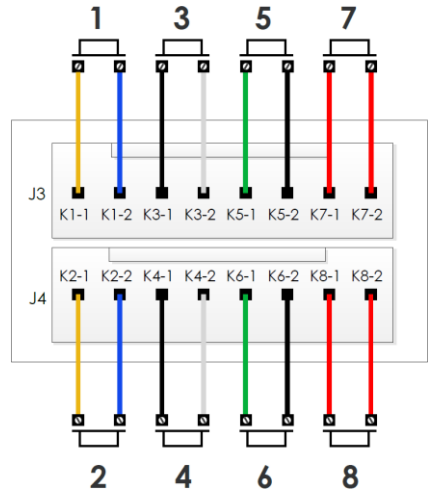
3. J3

Call buttons 1, 3, 5, 7

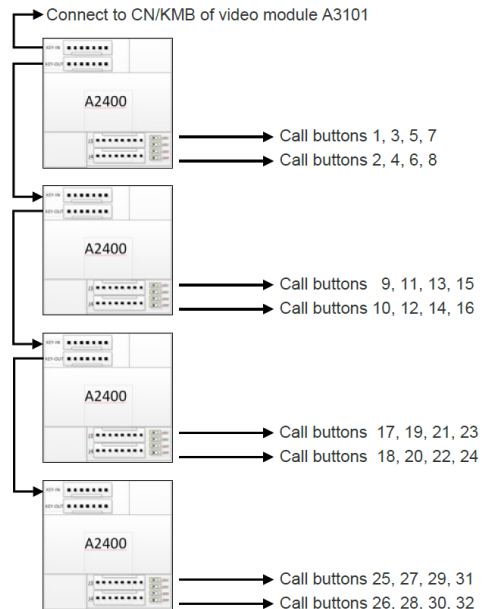
4. J4

Call buttons 2, 4, 6, 8

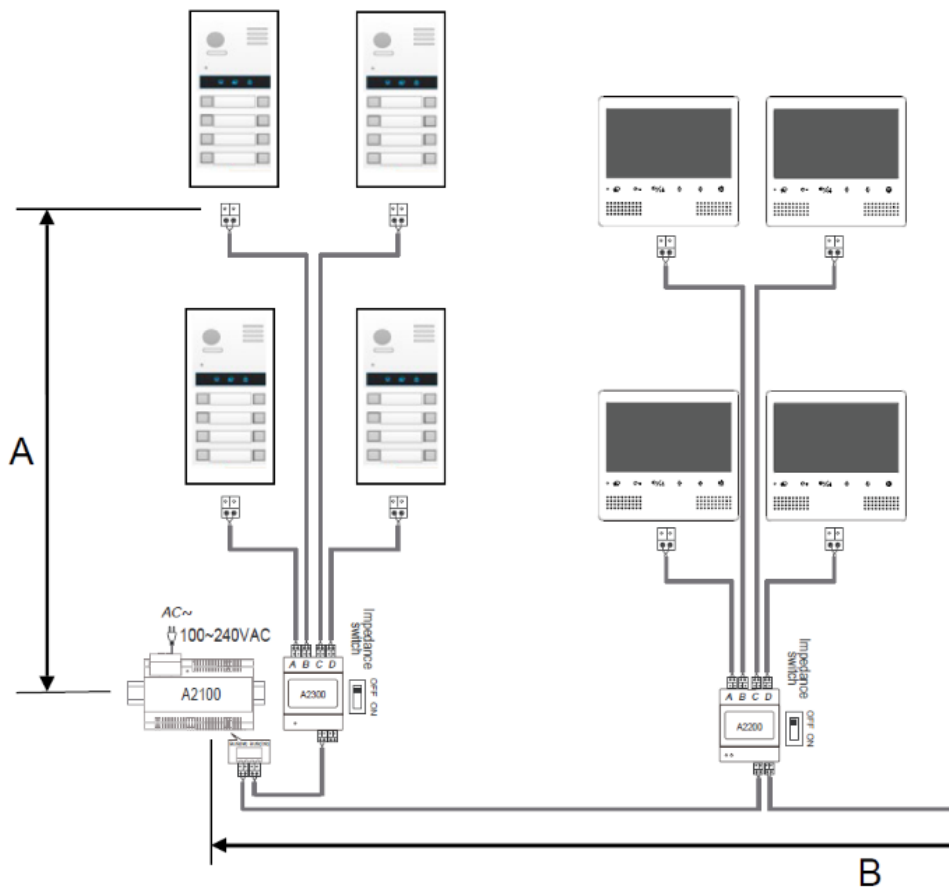
Single module connections

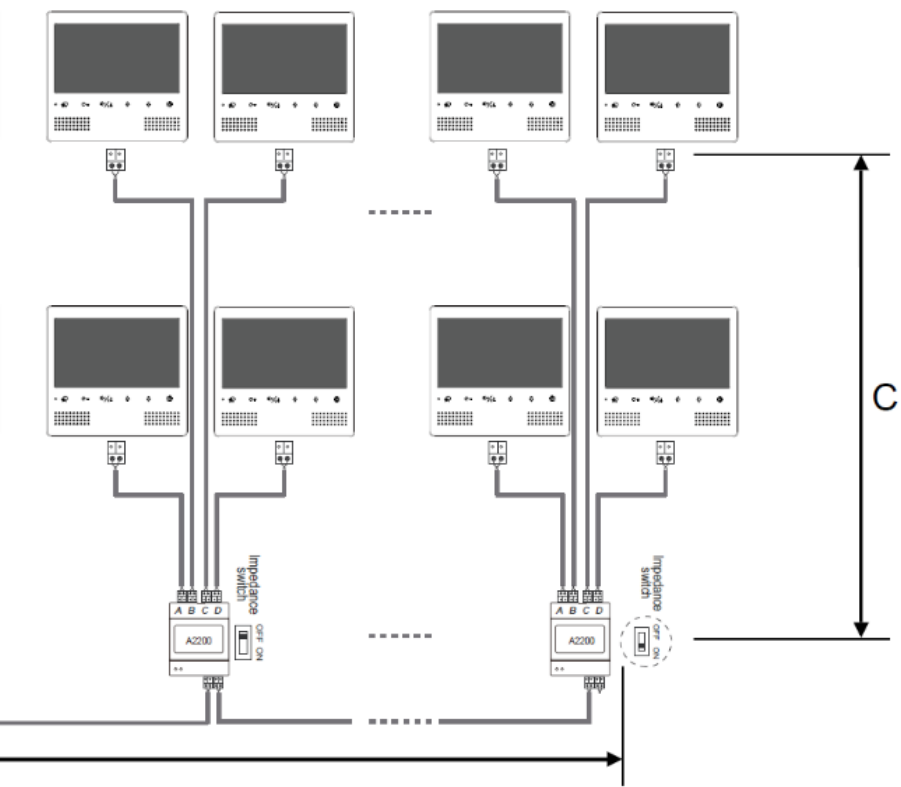


Connecting multiple modules (Max. 4)



System layout - Distributor mode





System layout - Riser mode

